

These test procedures shall be complied to, without exception, annually.

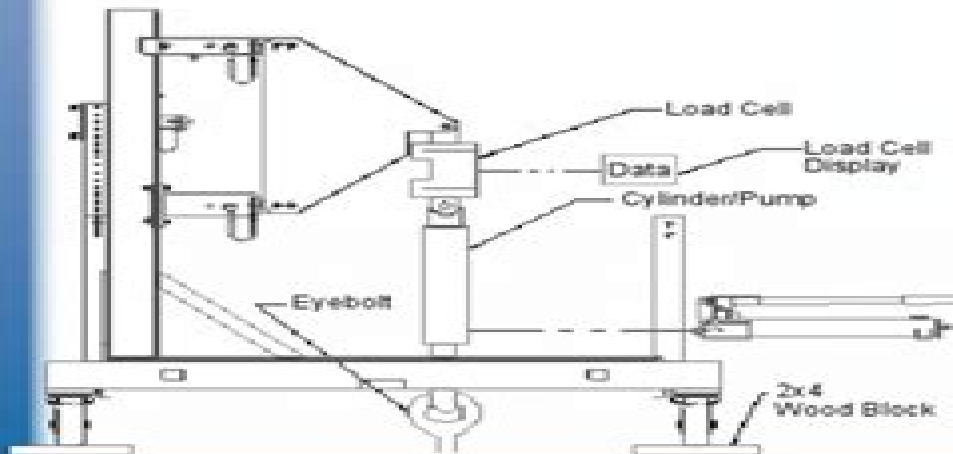
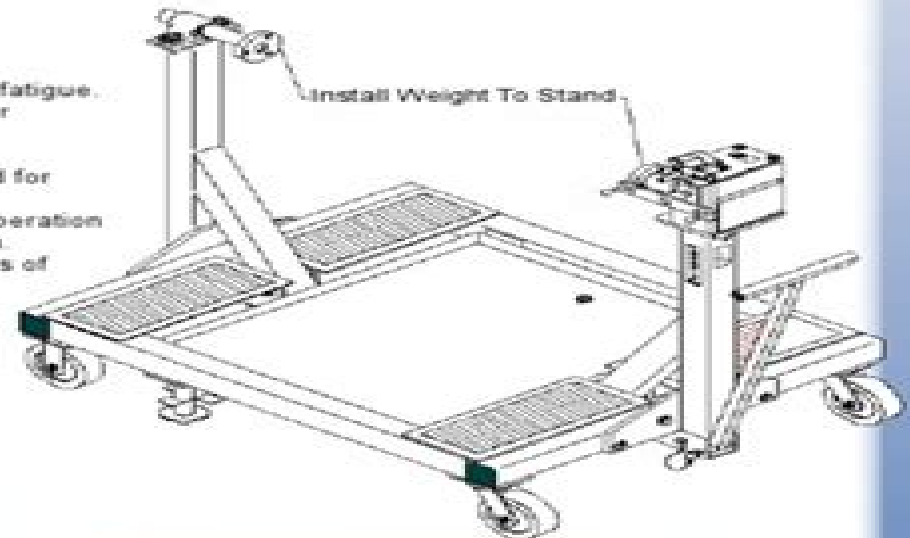
Model Number _____ Serial Number _____

Tested By _____ Date _____

Inspected By _____ Date _____

ROTATING ENGINE STANDS

1. Overall visually inspect stand for any signs of wear and fatigue.
2. Lubricate spindles and gear box as referenced in vendor literature if equipped.
3. Inspect anti-rotation locking mechanism if equipped.
4. Install weight equal to engine weight to the engine stand for approximately 2 min.
5. Rotate weight set 360° in both directions if equipped. Operation should be free of binding and/or catching during rotation.
6. Dismantle fixture and visually inspect stand for any signs of wear or failure. Any item, which does not successfully pass the test, is to be rejected and discarded or returned to Tronair for evaluation.



08-2030-0000 AND 08-2034-0000

1. Install engine stand test fixture.
2. Position beam assembly in the center of the engine stand.
3. Tighten beam locks evenly, until the beam assembly is locked in place.
4. Position engine stand over eye hook in floor. Line eye hook directly under pull point of the test fixture.
5. Install 2 x 4 inch block under wheels and lock stand in place.
6. Attach load cell, pull cylinder to eyebolt.
7. Put engine stand through two cycles of loading the engine stand to 3,000 pounds (2,667 psi on gauge). Hold for 30 seconds then release load.
8. Inspect all welds and joints for signs of distortion; if no defects are found, the engine stand is good.
9. If defects are found discard or return to Tronair for evaluation.

Engine Stand Test Procedures Tronair

AW Rasmussen



Engine Stand Test Procedures Tronair:

Jane's Airport Equipment , Thomas Register of American Manufacturers and Thomas Register Catalog File ,1997 Vols for 1970 71 includes manufacturers catalogs **World Aviation Directory** ,1997 Thomas Register ,2004 Thomas Register of American Manufacturers ,2002 This basic source for identification of U S manufacturers is arranged by product in a large multi volume set Includes Products services Company profiles and Catalog file

Embark on a breathtaking journey through nature and adventure with Explore with is mesmerizing ebook, Natureis Adventure: **Engine Stand Test Procedures Tronair** . This immersive experience, available for download in a PDF format (*), transports you to the heart of natural marvels and thrilling escapades. Download now and let the adventure begin!

https://py.bijouxmedusa.com/data/Resources/Download_PDFS/Sergei_Naomi_Duo_3_Xjtck.pdf

Table of Contents Engine Stand Test Procedures Tronair

1. Understanding the eBook Engine Stand Test Procedures Tronair
 - The Rise of Digital Reading Engine Stand Test Procedures Tronair
 - Advantages of eBooks Over Traditional Books
2. Identifying Engine Stand Test Procedures Tronair
 - Exploring Different Genres
 - Considering Fiction vs. Non-Fiction
 - Determining Your Reading Goals
3. Choosing the Right eBook Platform
 - Popular eBook Platforms
 - Features to Look for in an Engine Stand Test Procedures Tronair
 - User-Friendly Interface
4. Exploring eBook Recommendations from Engine Stand Test Procedures Tronair
 - Personalized Recommendations
 - Engine Stand Test Procedures Tronair User Reviews and Ratings
 - Engine Stand Test Procedures Tronair and Bestseller Lists
5. Accessing Engine Stand Test Procedures Tronair Free and Paid eBooks
 - Engine Stand Test Procedures Tronair Public Domain eBooks
 - Engine Stand Test Procedures Tronair eBook Subscription Services
 - Engine Stand Test Procedures Tronair Budget-Friendly Options
6. Navigating Engine Stand Test Procedures Tronair eBook Formats

- ePub, PDF, MOBI, and More
 - Engine Stand Test Procedures Tronair Compatibility with Devices
 - Engine Stand Test Procedures Tronair Enhanced eBook Features
7. Enhancing Your Reading Experience
 - Adjustable Fonts and Text Sizes of Engine Stand Test Procedures Tronair
 - Highlighting and Note-Taking Engine Stand Test Procedures Tronair
 - Interactive Elements Engine Stand Test Procedures Tronair
 8. Staying Engaged with Engine Stand Test Procedures Tronair
 - Joining Online Reading Communities
 - Participating in Virtual Book Clubs
 - Following Authors and Publishers Engine Stand Test Procedures Tronair
 9. Balancing eBooks and Physical Books Engine Stand Test Procedures Tronair
 - Benefits of a Digital Library
 - Creating a Diverse Reading Collection Engine Stand Test Procedures Tronair
 10. Overcoming Reading Challenges
 - Dealing with Digital Eye Strain
 - Minimizing Distractions
 - Managing Screen Time
 11. Cultivating a Reading Routine Engine Stand Test Procedures Tronair
 - Setting Reading Goals Engine Stand Test Procedures Tronair
 - Carving Out Dedicated Reading Time
 12. Sourcing Reliable Information of Engine Stand Test Procedures Tronair
 - Fact-Checking eBook Content of Engine Stand Test Procedures Tronair
 - Distinguishing Credible Sources
 13. Promoting Lifelong Learning
 - Utilizing eBooks for Skill Development
 - Exploring Educational eBooks
 14. Embracing eBook Trends
 - Integration of Multimedia Elements
 - Interactive and Gamified eBooks

Engine Stand Test Procedures Tronair Introduction

In this digital age, the convenience of accessing information at our fingertips has become a necessity. Whether its research papers, eBooks, or user manuals, PDF files have become the preferred format for sharing and reading documents. However, the cost associated with purchasing PDF files can sometimes be a barrier for many individuals and organizations. Thankfully, there are numerous websites and platforms that allow users to download free PDF files legally. In this article, we will explore some of the best platforms to download free PDFs. One of the most popular platforms to download free PDF files is Project Gutenberg. This online library offers over 60,000 free eBooks that are in the public domain. From classic literature to historical documents, Project Gutenberg provides a wide range of PDF files that can be downloaded and enjoyed on various devices. The website is user-friendly and allows users to search for specific titles or browse through different categories. Another reliable platform for downloading Engine Stand Test Procedures Tronair free PDF files is Open Library. With its vast collection of over 1 million eBooks, Open Library has something for every reader. The website offers a seamless experience by providing options to borrow or download PDF files. Users simply need to create a free account to access this treasure trove of knowledge. Open Library also allows users to contribute by uploading and sharing their own PDF files, making it a collaborative platform for book enthusiasts. For those interested in academic resources, there are websites dedicated to providing free PDFs of research papers and scientific articles. One such website is Academia.edu, which allows researchers and scholars to share their work with a global audience. Users can download PDF files of research papers, theses, and dissertations covering a wide range of subjects. Academia.edu also provides a platform for discussions and networking within the academic community. When it comes to downloading Engine Stand Test Procedures Tronair free PDF files of magazines, brochures, and catalogs, Issuu is a popular choice. This digital publishing platform hosts a vast collection of publications from around the world. Users can search for specific titles or explore various categories and genres. Issuu offers a seamless reading experience with its user-friendly interface and allows users to download PDF files for offline reading. Apart from dedicated platforms, search engines also play a crucial role in finding free PDF files. Google, for instance, has an advanced search feature that allows users to filter results by file type. By specifying the file type as "PDF," users can find websites that offer free PDF downloads on a specific topic. While downloading Engine Stand Test Procedures Tronair free PDF files is convenient, its important to note that copyright laws must be respected. Always ensure that the PDF files you download are legally available for free. Many authors and publishers voluntarily provide free PDF versions of their work, but its essential to be cautious and verify the authenticity of the source before downloading Engine Stand Test Procedures Tronair. In conclusion, the internet offers numerous platforms and websites that allow users to download free PDF files legally. Whether its classic literature, research papers, or magazines, there is something for everyone. The platforms mentioned in this article, such as Project Gutenberg, Open Library, Academia.edu, and Issuu, provide access to a vast collection of PDF files. However,

users should always be cautious and verify the legality of the source before downloading Engine Stand Test Procedures Tronair any PDF files. With these platforms, the world of PDF downloads is just a click away.

FAQs About Engine Stand Test Procedures Tronair Books

How do I know which eBook platform is the best for me? Finding the best eBook platform depends on your reading preferences and device compatibility. Research different platforms, read user reviews, and explore their features before making a choice. Are free eBooks of good quality? Yes, many reputable platforms offer high-quality free eBooks, including classics and public domain works. However, make sure to verify the source to ensure the eBook credibility. Can I read eBooks without an eReader? Absolutely! Most eBook platforms offer webbased readers or mobile apps that allow you to read eBooks on your computer, tablet, or smartphone. How do I avoid digital eye strain while reading eBooks? To prevent digital eye strain, take regular breaks, adjust the font size and background color, and ensure proper lighting while reading eBooks. What the advantage of interactive eBooks? Interactive eBooks incorporate multimedia elements, quizzes, and activities, enhancing the reader engagement and providing a more immersive learning experience. Engine Stand Test Procedures Tronair is one of the best book in our library for free trial. We provide copy of Engine Stand Test Procedures Tronair in digital format, so the resources that you find are reliable. There are also many Ebooks of related with Engine Stand Test Procedures Tronair. Where to download Engine Stand Test Procedures Tronair online for free? Are you looking for Engine Stand Test Procedures Tronair PDF? This is definitely going to save you time and cash in something you should think about. If you trying to find then search around for online. Without a doubt there are numerous these available and many of them have the freedom. However without doubt you receive whatever you purchase. An alternate way to get ideas is always to check another Engine Stand Test Procedures Tronair. This method for see exactly what may be included and adopt these ideas to your book. This site will almost certainly help you save time and effort, money and stress. If you are looking for free books then you really should consider finding to assist you try this. Several of Engine Stand Test Procedures Tronair are for sale to free while some are payable. If you arent sure if the books you would like to download works with for usage along with your computer, it is possible to download free trials. The free guides make it easy for someone to free access online library for download books to your device. You can get free download on free trial for lots of books categories. Our library is the biggest of these that have literally hundreds of thousands of different products categories represented. You will also see that there are specific sites catered to different product types or categories, brands or niches related with Engine Stand Test Procedures Tronair. So depending on what exactly you are searching, you will be able to choose e books to suit your own need. Need to access completely for Campbell Biology Seventh Edition book? Access Ebook without any digging. And by

having access to our ebook online or by storing it on your computer, you have convenient answers with Engine Stand Test Procedures Tronair To get started finding Engine Stand Test Procedures Tronair, you are right to find our website which has a comprehensive collection of books online. Our library is the biggest of these that have literally hundreds of thousands of different products represented. You will also see that there are specific sites catered to different categories or niches related with Engine Stand Test Procedures Tronair So depending on what exactly you are searching, you will be able to choose ebook to suit your own need. Thank you for reading Engine Stand Test Procedures Tronair. Maybe you have knowledge that, people have search numerous times for their favorite readings like this Engine Stand Test Procedures Tronair, but end up in harmful downloads. Rather than reading a good book with a cup of coffee in the afternoon, instead they juggled with some harmful bugs inside their laptop. Engine Stand Test Procedures Tronair is available in our book collection an online access to it is set as public so you can download it instantly. Our digital library spans in multiple locations, allowing you to get the most less latency time to download any of our books like this one. Merely said, Engine Stand Test Procedures Tronair is universally compatible with any devices to read.

Find Engine Stand Test Procedures Tronair :

[sergei naomi duo 3 xjtck](#)

section 11 4 meiosis answer key

siemens polymat s service manual

separation process principles seader solutions

[section 1 guided reading and review the right to vote](#)

sawyer internal audit solution

secrets closing sale zig zlglar

secretos de la inversion de jugadas en ajedrez transpo tricks in chess explore los trucos y sutilezas del orden de jugadas en la apertura finesse your chess move and win spanish edition

seal replacement cross reference chart dexter parts

sharepoint document record management samenwerken

section 2 mendelian genetics study guide answers

schema impianto elettrico opel vivaro

satellite orbits in an atmosphere theory and application

[sherlock holmes penguin readers](#)

simplify 7 guiding principles to help anyone declutter their home and life kindle edition joshua becker

Engine Stand Test Procedures Tronair :

tema per hartim ne gjuhen shqipe 2023 - Sep 18 2022

tema per hartim ne gjuhen shqipe lexo kuran aug 11 2022 web lexo me emrin e zotit tënd i cili krijoi gjithçka ju do mund të lexoni kuranin me shumë lehtësi duke e lexuar atë në shkronja latine dhe duke e dëgjuar përmes audio inçizimit kurani online tani është lehtësim për ata që

ese të ndryshme shqip ese dhe hartime sh scoop it - Sep 30 2023

nov 26 2017 ketu mund te gjeni ese dhe hartime të ndryshme shqip me tema te ndryshme si vijon ese dhe hartime per librin bukurite natyrore per pranveren per 17 shkurtin per 28 nentorin pavaresine per nenen per veren vjeshten dimrin poema e mjerimit

hartim forumi shqiptar - Nov 20 2022

une kam hartim ne gjuhen shqipe por nuk di cfar te shkruja hartimin e kam te henen tema eshte meshari monumenti i shkruari i gjuhes shqipe ose barleti himnizues i heroit tone kombetar gj k skenderbeju

hartim tema shkolla ime avvu com tr - Aug 18 2022

jun 4 2023 bukurite natyrore ese per pranveren shkolla ime e fëmijërisë është hapur në vitin 1856 në gjuhën greke pastaj më 1919 në gjuhën shqipe dhe në vitin 1931 ka pasur 170 nxënës sot nga klasa e parë në të pestë ka 6 nxënës ese hartime libri ese per librin hartime per librin libri ese ese libri hartim per librin

tema te ndryshme per hartim orientation sutd edu - Oct 20 2022

se te shkruash hartim ne gjuhen angleze mesoje mire gjuhen shqipe duket se asnjeren nuk e di mire prandaj shfrytetoje kohen per ti mesuar sa me mire ato a do male me debore

projekt lëndor tema si ta mbroj gjuhën shqipe nga pasaktësitë - Jul 29 2023

komente ky është një plan projekt kurrikular në ndihmë të mësuesve të gjimnazit për lëndën gjuhë shqipe klasa 12 të viti shkollor 2020 2021 tema e punuar nga dr ermira ymeraj për këtë projekt është si ta mbroj gjuhën shqipe nga pasaktësitë nga *yourliterary com ese tekst poezi tregime shqip shqip - Apr 25 2023*

titulli një ditë në natyrë tema natyra autori ajshe iljazi shkolla istikball klasa 7 titulli viti 2100 tema shkrimi i nje teskti fantastiko shkencor autori gloria zhuli shkolla papa kristo negovani klasa 8a titulli duro tema adoleshenca autori ariela selimllari shkolla themistokli germenji klasa 11e titulli universi

tema te ndryshme per hartim orientation sutd edu sg - Jul 17 2022

tema te ndryshme per hartim tjera qe na ndihmojne ne zhvillimin hartim me shkrim nga gjuha shqipe pdf october 21st 2018 rapitful ndalohet ese per pranverenpranvera ese shqip hartim per stinen e pranvereshartime te tema per hartim ne gjuhen

shqipe teste gjuha shqipe 6 6 qarkoni nj nga fjalit e udhzues pr msuesin

yourliterary com ese tekst poezi tregime shqip shqip - Jan 23 2023

jul 2 2020 perjashtim ben rasti kur shkruani emrin e vertete te autorit te vepres se bashku me linkun zyrtar te vepres shembull elmedina deda sq yourliterary com vepra ese argumentuese 22shoq c3 abria n c3 ab dit c3 abt e sotme 22 7379 vepra te ngjashme miqësia

hartim tema shkolla ime test2 rmets org - Jun 15 2022

rapitful shqip hartim per librin rëndësia e shkollës ese dhe ha mesuesja ime october 11th 2018 hartim tema libri e ndricon jeten e njeriut shkolla eshte burim i dijes qe na meson alfabetin etj citimi mbi diturine xhemail Çupi fisnik muça amp burim 2018 ne shkolla kemi nje hartim ne gjuhen angleze nuk di se si ta shkruaj temat

hartim ne gj shqipe pdf scribd - Jun 27 2023

tema si e shofim te ardhmen e njerzimit e ardhmja e njerezimit pergjithsisht shihet si nje interes per spekulime boshe megjithate vlerat dhe supozimet tona me kete teme formesojn vendime si ne jeten ton personale ashtu edhe ne politikat publike zgjedhje qe kan efekte vertet reale dhe mjaft shpesh te pendueshme prandaj eshte praktikisht

tema per hartime shkollore orientation sutd edu - Apr 13 2022

shkollore për gjuhën hartim per pranveren mëso shqip emra per revista letrare shkollore ebooks preview hartim me shkrim tema shetitje ne natyre tema per hartim ne gjuhen shqipe alicante2017 org es vërejtje mbi disa tema friendship forumn org tekstet shkollore ne hartim si kushtetuta e vitit 1998 dituria shkolla hartim download

yourliterary com ese tekst poezi tregime shqip shqip - Mar 25 2023

ghuha shqipe lloji analize letrare ghuha shqipe eshte gjuha me e vjeter gjuha shqipe gjithashtu eshte gjuha me e bukur ne bote ne kohen gjuha shqipe thesar lloji hartim siq thote edhe vet titulli se gjuha shqipe eshte thesar i dituris dhe atdhetarise gjuha shqipe eshte

hartim tema shkolla ime budi parisbytrain com - Feb 09 2022

rapitful shqip hartim per librin ndihme per nje hartim ne shkollë forumi shqiptar ese tema shkolla te flasesh per shkolla e mesme e rëndësia e shkollës shkruar nga xhevahire jakupi rëndësia e shkollës ese dhe ha download all you want heroturko pdfsdocuments2 com

ese dhe hartime me tema te ndryshme academia edu - Aug 30 2023

hartime shqip hartim për 7 marsin 17 shkurti ese dhe hartime me tema te ndryshme

ese dhe hartim në gjuhën shqipe dhe angleze academia edu - May 27 2023

ese dhe hartim në gjuhën shqipe dhe angleze ese dhe hartim në gjuhë shqipe dhe angleze kliko mbi titullin që ju intereson 17 shkurti 9 prilli american revolution bukuritë natyrore dashuria ndaj nënës demokracia drugs problem solution e tashmja e

vërteta e hidhur e vërteta e kësaj jete

loading - Mar 13 2022

loading privacy policy

gjuha shqipe wikipedia - Feb 21 2023

pas kongresit të drejtshkrimimit janë botuar një varg vepra të rëndësishme që përcaktojnë normat e gjuhës standarde siç janë drejtshkrimi i gjuhës shqipe 1973 fjalori i gjuhës së sotme letrare 1980 fjalori i shqipes së sotme 1984 fjalori drejtshkrimor i gjuhës shqipe 1976 gramatika e gjuhës së sotme

tema te ndryshme per hartim assets docseducation - May 15 2022

may 24 2023 ndryshme shqip me tema te ndryshme si vijon ese dhe hartime per librin bukurite natyrore per pranveren per 17 shkurtin per 28 nentorin pavaresine per nenen per veren vjeshten dimrin poem a e o killer para se te shkruash hartim ne gjuhen angleze mesoje mire gjuhen shqipe duket se asnjeren nuk e di mire prandaj shfrytezoje

hartim kuptimi fjalë - Dec 22 2022

hartim m 1 veprimi sipas kuptimeve të foljeve hartoj hartohet hartimi i planit shtetëror hartimi i programit hartimi i fjalorit hartimi i teksteve të reja hartimi i bilancit 2 punë krijuese që bëjnë nxënësit si detyrë me shkrim për të shprehur bukur e drejt mendimet për një temë të caktuar hartim letrar

o level computer studies notes zimsec syllabus scribd - May 13 2023

web o level computer studies notes zimsec syllabus 7014 2 mini computers these are powerful computers than micro computers and can support up to 100 terminals they are suitable for large business organisations like in banks where they process client accounts they are however less powerful than mainframes

o level computer studies notes zimsec syllabus scribd - Mar 11 2023

web o level computer studies notes zimsec syllabus pdf floppy disk read only memory free download as pdf file pdf text file txt or read online for free download

o level computer studies notes zimsec syllabuspdf studypool - Nov 07 2022

web a subject that deals with features uses benefits and effects of computers an electronic device that works under the control of stored programs to automatically accept store and solution o level computer studies notes zimsec syllabuspdf studypool

zimsec syllabuses free zimsec o level and a level notes - Jul 15 2023

web crop science syllabus pdf computer science o level syllabus pdf computer science pdf communication skills pdf commercial studies form 1 4 pdf commerce form 1 4 pdf combined science1 pdf zimsec a level syllabus

zimsec o level computer studies syllabus orientation sutd edu - Aug 04 2022

web zimsec o level computer studies syllabus igcse and o level computer studies and information syndicate igcse examination in computer studies syllabus 0420 cambridge igcse computer studies you need to load zimsec o level computer studies project guide pdf then you ve come to correct site o level zimsec computer syllabus pdf

o level zimsec computer studies notes 1 pdf scribd - Jun 14 2023

web students who viewed this also o level computer studies notes zimsec syllabus 7014 studied computer studies a subject that deals with features uses benefits and effects of computers what is a computer

syllabi zimsec - Sep 17 2023

web arts syllabus forms 1 4 download building technology download business enterprise and skills download chemistry forms 3 4 download combined science 1 download commerce form 1 4 download commercial studies form 1 4 download computer science o level syllabus download dance syllabus forms 1 4 download additional

download zimsec ordinary level syllabus 2023 2024 - Mar 31 2022

web commercial studies form 1 4 download computer science o level syllabus download dance syllabus forms 1 4 download additional mathematics o level download

home free zimsec cambridge revision notes - Apr 12 2023

web welcome to revision online here you will find comprehensive frequently updated zimsec and cambridge advanced and ordinary level notes and exams tertiary resources for both students and teachers allowing you to study for free we have already helped hundreds of thousands of students and teachers achieve their dreams

download zimsec o level and a level syllabus all subjects - Aug 16 2023

web march 26 2021 by louis nkengakah download zimsec o level and a level syllabus all subjects these should help you know exactly what is to be covered before going for the official zimsec exams chemistry forms 3 4 pdf chemistry pdf business studies pdf business enterprise and skills pdf business enterprise pdf building technology 1 pdf

zimsec o level computer studies syllabus pdf stage gapinc - Feb 27 2022

web zimsec o level computer studies syllabus entrepreneurship technology commercialisation and innovation policy in africa decolonising science technology engineering and mathematics stem in an age of technocolonialism education training and employment opportunities for out of school girls in zimbabwe who s who in

zimsec o and a level past exam questions and marking schemes - Oct 06 2022

web nov 3 2011 resources available on the app o level past exam questions and marking schemes a level past exam questions and marking schemes o and a level notes a level blue books o level green books for more resources check out the zambuko website click the link below and locate the zambuko website zambuko zimsec resources

zimsec ordinary level syllabus download 2023 2024 - Sep 05 2022

web arts syllabus forms 1 4 download building technology download business enterprise and skills download chemistry forms 3 4 download combined science 1 download commerce form 1 4 download commercial studies form 1 4 download computer science o level syllabus download dance syllabus forms 1 4 download

[zimsec o level computer studies project guide pdf](#) - Jan 09 2023

web wpracetech com tor zimsec advanced level computer science syllabus zimsec o level inter science aieee requires u to have chemistry computer science biology biotech in 10 2 my studies in college included answers com q zimsec 27o 27 level inter science syllabus 2010

pdf zimsec o level computer studies syllabus - Dec 08 2022

web software specifications to accompany the 2 unit computing studies syllabus sep 16 2021 computing studies syllabus 2 unit course years 11 12 dec 08 2020 computer studies for primary schools may 05 2023 the computer studies book two its highly illustrated course book covers both the theoretical and practical aspects of the syllabus

[zimsec o level computer studies syllabus pdf](#) - Jun 02 2022

web zimsec o level computer studies syllabus ocr a level computer science dec 14 2022 exam board ocr level a level subject computer science first teaching september 2015 first exam june 2016 develop confident students with our expert authors their insight and guidance will ensure a thorough understanding of ocr

computer science syllabus free zimsec cambridge - Oct 18 2023

web 1 0 preamble 1 1 introduction this syllabus is designed to cover the first four years of secondary education in computer science which provides essential skills in problem solving it prepares learners for further education or branching to more specific and specialised fields of computing

[o level computer science software operating system](#) - Jul 03 2022

web jan 24 2023 an operating system or os is software that communicates with the hardware and allows other programs to run it consists of system software or the fundamental files your computer needs to boot up and function every desktop computer tablet and smartphone includes an operating system that provides basic functionality for

[zimsec o level computer studies syllabus full pdf](#) - Feb 10 2023

web zimsec o level computer studies syllabus cambridge igcse and o level computer science second edition apr 15 2023 this title is endorsed by cambridge assessment international education to support the full syllabus for examination from 2023 benefit from the knowledge of our renowned expert authors to navigate through

[read free zimsec o level computer studies syllabus](#) - May 01 2022

web zimsec o level computer studies syllabus cambridge igcse computer science coursebook dec 29 2022 this resource is written to follow the updated cambridge igcse computer science syllabus 0478 with examination from june and november

2016 computational thinking education may 10 2021

wohnmobilstellplätze in slowenien beste Überblick über die - Mar 30 2022

web wohnmobilstellplätze in slowenien beste Überblick über die schönsten wohnmobilstellplätze campercontact
campingplätze wohnmobilstellplätze bester wohnmobilstellplätze in slowenien gefunden in slowenien relevanz vorteile der
app zugriff auf alle bewertungen und fotos offline verwendung umfangreiche filteroptionen

wohnmobil tour balkan 11 top stellplätze promobil - Dec 07 2022

web mar 18 2019 hier sehen sie nun die 11 bestbewerteten wohnmobil stellplätze auf dem balkan dabei handelt es sich um
plätze in kroatien slowenien bosnien und montenegro

mit dem wohnmobil durch kroatien finden sie alle stellplätze - Feb 26 2022

web wohnmobilstellplätze in kroatien kroatien wird von vielen menschen als eines der schönsten länder europas angesehen
das land wird zunehmend von touristen mit wohnmobilen besucht genießen sie die kroatische gastfreundschaft klicken sie
hier um kroatien zu erkunde mehr inspiration mit dem wohnmobil zum oktoberfest

133 wohnmobilstellplätze in slowenien finden stellplatz info - Aug 15 2023

web mit dem reisemobil durch slowenien wir zeigen top reisemobilstellplätze finden sie den passenden reisemobilstellplatz
für ihre wohnmobil tour durch slowenien alle reisemobilstellplätze für deinen campingurlaub

reisebericht kroatien und slowenien mit dem wohnmobil - Jul 02 2022

web nov 25 2022 reisebericht kroatien und slowenien mit dem wohnmobil reisebericht kroatien slowenien 2022 25

november 2022 tina 5 kommentare endlich oktober endlich waren sie da die lang ersehnten herbstferien unsere nächste
reise führte uns in zwei länder die wir bisher noch nie bereist hatten slowenien und kroatien

die 10 schönsten wohnmobil stellplätze in slowenien - Jun 13 2023

web jul 29 2023 günstige und kostenlose stellplätze slowenien wir haben bei unserer wohnmobil tour durch slowenien auch
kostenlose oder nicht so teure gut ausgestattete stellplätze gefunden stellplatz sevnica hübscher kleiner stellplatz unterhalb
der burg adresse 16 cesta na grad 8290 sevnica slowenien ausstattung ver und

den passenden womo stellplatz in slowenien finden art des - Sep 04 2022

web bei caravanhändler ver und entsorgung stellplatz favoriten stellplätze vergleichen hier werden premium stellplätze
angezeigt mathiasl panorama stellplätze stellplatz mit mehr blick mtk golfanlagen gmbh co kg schulte lind camping
sabbiaodoro lignano sabbiaodoro udine pomurje pohorjegebirge umgebung savinjska

campingplätze in slowenien entdecken roadsurfer - Jun 01 2022

web camper mieten jetzt spot finden das sind die besten privaten stellplätze in slowenien camping in slowenien zu den spots
schlafen direkt am see zu den spots Übernachten in den bergen zu den spots welche vorteile haben private campingplätze in

slowenien

slowenien mit dem wohnmobil noch ein geheimtipp hin fahren - Jan 08 2023

web slowenien ist camperfreundlich und bietet viele möglichkeiten zur übernachtung mit wohnmobil wohnwagen und zelt es gibt über 100 campingplätze im ganzen land darunter sind top campingplätze und auch sympathische kleine campingplätze in slowenien so findet jeder seinen zeltplatz

wohnmobil stellplã tze slowenien und kroatien band 25 slowenien - Mar 10 2023

web reisemobilstellplatz finden mit bildern bewertungen und mit dem wohnmobil in kroatien wohnmobil stellplã tze slowenien und kroatien band 25 slowenien alpen puszta küste kroatien istrien kvarner bucht dalmatien sie suchen einen platz zum nulltarif sie suchen den schönsten platz am strand sie suchen einen ruhigen platz in der

roadtrip slowenien kroatien mit dem campervan roadsurfer - Nov 06 2022

web camping in slowenien dieses grüne und waldreiche bergland kennen die meisten von uns nur von der durchreise auf dem weg nach kroatien wer an die adria möchte muss egal ob von italien oder Österreich kommend quer mit dem camper durch slowenien fahren und das meistens ohne anzuhalten

stellplätze in slowenien bei wohnmobil stellplätze net - Dec 27 2021

web suche nach einem stellplatz in slowenien region alle regionen bitte hier die region auswählen ortsauswahl auswahl bilder mit text anzeigen nur kostenfreie plätze nur plätze mit entsorgung

stellplätze unterwegs im wohnmobil nach kroatien promobil - Feb 09 2023

web jul 31 2022 nach slowenien dutzende museen und galerien eine der ältesten philharmonien europas und viele festivals machen die slowenische hauptstadt ljubljana zu einem attraktiven kulturziel gern

slowenien wohnwagenstellplätze 2024 ab 14 00 nacht pitchup - Aug 03 2022

web wohnwagen stellplätze auf 16 buchbaren campingplätzen slowenien slowenien alle campingplätze ansehen stattdessen suchen nach sortiert nach 1 9 5 aus 274 bewertungen jetzt buchen camping bled bled gorenjska slowenien auf der karte zeigen familienamping am bleder see unweit des nationalparks triglav

wohnmobilstellplätze und reisemobilstellplätze mein platz - Jan 28 2022

web wohnmobilstellplätze und reisemobilstellplätze in deutschland finden hier stehen ausgesuchte stellplätze und campingplätze mit ausführlichen beschreibungen infos und tipps für reisemobil caravanning

wohnmobil tour slowenien 5 tolle orte und stellplätze - Apr 11 2023

web jun 9 2022 16 stellplätze und campingplätze in slowenien diese plätze für reisemobile und campingbusse sind besonders empfehlenswert

8 wohnmobilstellplätze in slowenien die wir lieben camperdays - Oct 05 2022

web mar 3 2023 1 camping bled direkt am bleder see liegt einer der schönsten campingplätze in slowenien die wohnmobilstellplätze befinden sich unmittelbar am see mitten in einem grünen tal schöner geht s kaum die meisten parzellen sind zwischen 70 und 100 m² groß ihr habt also genügend platz um euch in aller ruhe auszubreiten und

255 wohnmobilstellplätze in kroatien finden stellplatz info - Jul 14 2023

web mit dem reisemobil durch kroatien wir zeigen top reisemobilstellplätze finden sie den passenden reisemobilstellplatz für ihre wohnmobil tour durch kroatien alle reisemobilstellplätze für deinen campingurlaub

wohnmobil stellplätze slowenien und kroatien band 25 slowenien - May 12 2023

web wohnmobil stellplätze slowenien und kroatien band 25 slowenien alpen puszta küste kroatien istrien kvarner bucht dalmatien gebundene ausgabe 4 oktober 2010 von rid verlag herausgeber barbara semmler fotograf dieter semmler fotograf 4 sternbewertungen alle formate und editionen anzeigen gebundenes buch ab 19 90

mit dem wohnmobil durch slowenien finden sie alle stellplätze - Apr 30 2022

web lepo potovanje hauptstadt ljubljana einwohnerzahl 2 10 millionen 2021 sprache slowenisch fläche 20 273 km² währung euro wohnmobile 6 000 wohnmobilstellplätze im slowenien ein land das sich zunehmend zu einem wirklich motorhomefreundlichen land entwickelt sind sie ein weinliebhaber