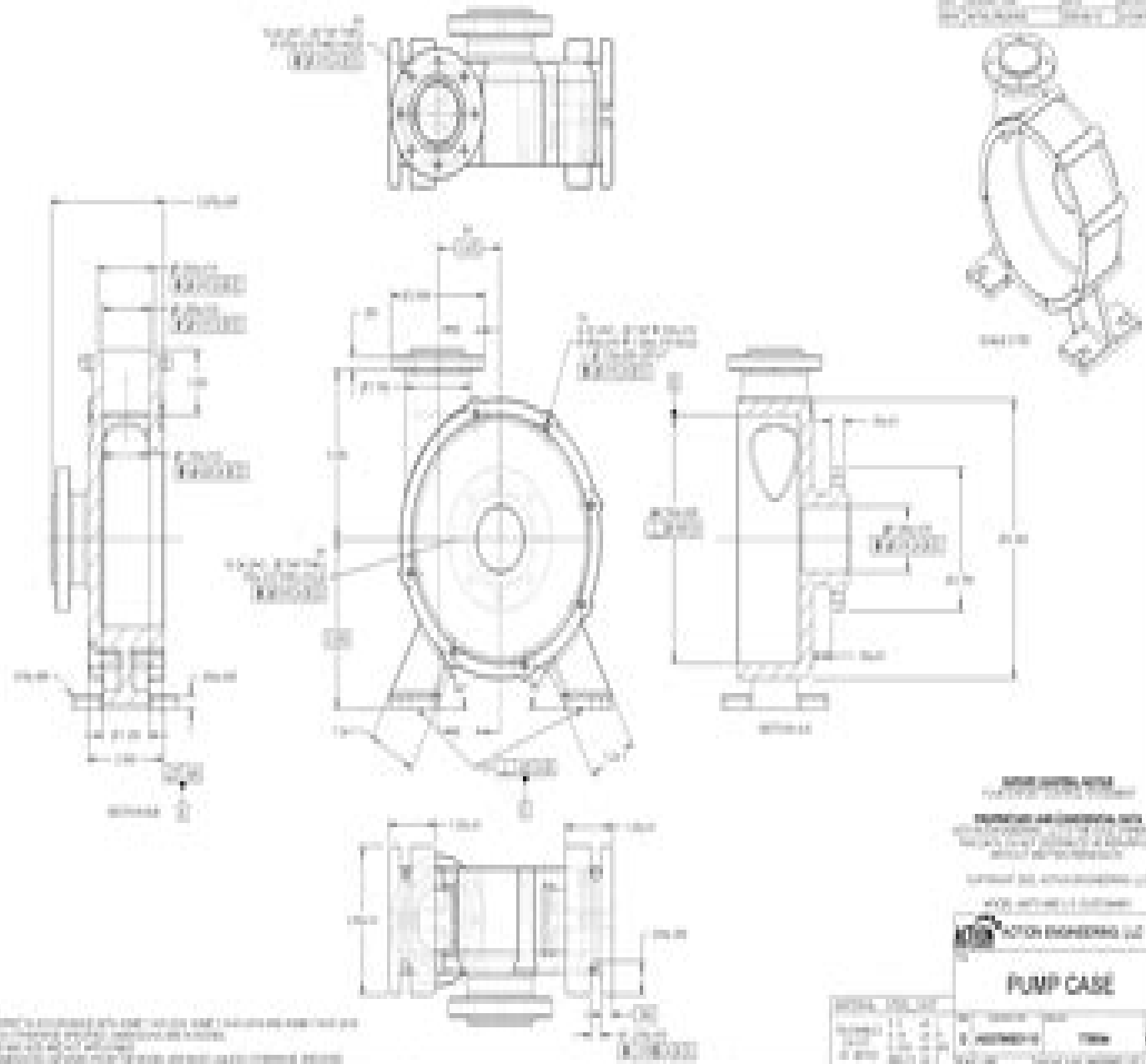


DATE	BY	CHKD



1. ALL DIMENSIONS ARE IN MILLIMETERS UNLESS OTHERWISE SPECIFIED.
 2. DIMENSIONS ARE TO BE TAKEN AS SHOWN.
 3. ALL DIMENSIONS OF THE PART SHOULD BE TAKEN AS SHOWN.

DESIGNED BY:
 DRAWN BY:
 CHECKED BY:
 APPROVED BY:
ACTON ENGINEERING LTD

PUMP CASE

DATE	BY	CHKD

Engineering Drawing Practices Asme

Colin H. Simmons, Dennis E. Maguire



Engineering Drawing Practices Asme :

Print Reading and Engineering Drawing Practices Workbook Tony Cimabue, Al Neumann, 2012 Engineering drawings are prepared to the ASME Y14 Series of Standard Drawing and Drafting Practices accepted industry wide practices and individual company standards These standards establish uniform practices for anyone who either prepares drawings or reads the print with accepted methods to interpret the information on the drawing **Engineering Drawing Practices**, 2005 Engineering Drawing Practices, 2001 *Engineering Drawing Practices*, 2001 **Manual of Engineering Drawing** Colin H. Simmons, Dennis E. Maguire, 2009-03-24 The Manual of Engineering Drawing has long been the recognised as a guide for practicing and student engineers to producing engineering drawings and annotated 3D models that comply with the latest British and ISO Standards of Technical Product Specifications and Documentation This new edition has been updated to include the requirements of BS8888 2008 and the relevant ISO Standards and is ideal for International readership it includes a guide to the fundamental differences between the ISO and ASME Standards relating to Technical Product Specification and Documentation Equally applicable to CAD and manual drawing it includes the latest development in 3D annotation and the specification of surface texture The Duality Principle is introduced as this important concept is still very relevant in the new world of 3D Technical Product Specification Written by members of BSI and ISO committees and a former college lecturer the Manual of Engineering Drawing combines up to the minute technical information with clear readable explanations and numerous diagrams and traditional geometrical construction techniques rarely taught in schools and colleges This approach makes this manual an ideal companion for students studying vocational courses in Technical Product Specification undergraduates studying engineering or product design and any budding engineer beginning a career in design The comprehensive scope of this new edition encompasses topics such as orthographic and pictorial projections dimensional geometrical and surface tolerancing 3D annotation and the duality principle along with numerous examples of electrical and hydraulic diagrams with symbols and applications of cams bearings welding and adhesives The definitive guide to draughting to the latest ISO and ASME standards An essential reference for engineers and students involved in design engineering and product design Written by two ISO committee members and practising engineers *American National Standard Engineering Drawing and Related Documentation Practices ASME Y14.3* American National Standards Institute, American Society of Mechanical Engineers, American Society of Engineering Education, 2003 *Drawing and Detailing with SOLIDWORKS 2022* David Planchard, 2022-02 Drawing and Detailing with SOLIDWORKS 2022 is written to educate and assist students designers engineers and professionals in the drawing and detailing tools of SOLIDWORKS Explore the learning process through a series of design situations industry scenarios projects and objectives target towards the beginning to intermediate SOLIDWORKS user Work through numerous activities to create multiple view multiple sheet detailed drawings and assembly drawings Develop Drawing templates Sheet formats and Custom and Link Properties

Construct drawings that incorporate part configurations assembly configurations and design tables with equations
Manipulate annotations in parts drawings assemblies Revision tables and Bills of Materials Drawing and Detailing with
SOLIDWORKS 2022 is not a reference book for all drafting and drawing techniques and tools The book provides information
and examples in the following areas History of engineering graphics manual sketching techniques orthographic projection
isometric projection multi view drawings dimensioning practices fasteners in general tolerance and fit and the history of CAD
leading to the development of SOLIDWORKS Start a SOLIDWORKS 2022 session and to understand the following interfaces
Menu bar toolbar Menu bar menu Drop down menus Context toolbars Consolidated drop down toolbars System feedback
icons Confirmation Corner Heads up View toolbar Document Properties and more Provide an understanding of how
SOLIDWORKS drawing documents and templates are created and used Create an awareness on the structure of a Drawing
document General knowledge of the ASME Y14 5 Engineering Drawing and Related Documentation Practices Create multi
sheet drawings from various part configurations and develop the following drawing views Standard Isometric Auxiliary
Section Broken Section Detail Half Section Cut away Crop Projected Back with a Bill of Materials using equations and a
Revision Table Insert and edit Dimensions Feature Control Frames Datums Geometric Tolerancing Surface Finishes and Weld
Symbols using Model Based Definitions MBD DimXpert and manual techniques Chapter 10 provides a section to review the
Certified SOLIDWORKS Associate CSWA program Understand the curriculum and categories of the CSWA exam and the
required model knowledge needed to successfully take and pass the exam Chapter 11 provides a section on the Certified
SOLIDWORKS Professional Advanced Drawing tools CSWPA DT exam with sample exam questions and initial and final
SOLIDWORKS models Understand the curriculum and categories of the exam and the required model knowledge needed to
successfully take and pass the exam The author developed the industry scenarios by combining his own industry experience
with the knowledge of engineers department managers vendors and manufacturers These professionals are directly involved
with SOLIDWORKS every day *Configuration Management, Second Edition* Jon M. Quigley, Kim L. Robertson, 2019-07-11
The book provides a comprehensive approach to configuration management from a variety of product development
perspectives including embedded and IT It provides authoritative advice on how to extend products for a variety of markets
due to configuration options The book also describes the importance of configuration management to other parts of the
organization It supplies an overview of configuration management and its process elements to provide readers with a
contextual understanding of the theory practice and application of CM The book illustrates the interplay of configuration and
data management with all enterprise resources during each phase of a product lifecycle [Design of Electromechanical and
Combination Products](#) Ali Jamnia, 2023-08-31 The second edition of this work now with the expanded title of Design of
Electromechanical and Combination Products covers the design and development of electromechanical products updated
throughout to focus not only on an Agile Systems approach but also its application to disposables and consumables Providing

a practical set of guidelines and thorough examination of best practices this book focuses on cutting edge research on sustainability of electromechanical and combination products

Key Features Presents the design development and life cycle management of electromechanical and combination products Provides a practical set of guidelines and best practices for world class design Explains the role of costing and pricing in product design Covers Design for X and its role in product life cycle management Examines the dynamics of cross functional design and product development teams Develops DHF and DMR as tools and inherent components of configuration management Includes numerous real world examples of electromechanical and combination product designs This book is intended for scientists engineers designers and technical managers and provides a gateway to developing a product s design history file DHF and device master record DMR These tools enable the design team to communicate a product s design manufacturability and service procedures with various cross functional teams

Introduction to Product Design and Development for Engineers Dr. Ali Jamnia,2018-06-12 Introduction to Product Design and Development for Engineers provides guidelines and best practices for the design development and evaluation of engineered products Created to serve fourth year undergraduate students in Engineering Design modules with a required project the text covers the entire product design process and product life cycle from the initial concept to the design and development stages and through to product testing design documentation manufacturability marketing and sustainability Reflecting the author s long career as a design engineer this text will also serve as a practical guide for students working on their capstone design projects

High-Productivity Drilling Tools Viktor P. Astakhov,2024-05-03 This completely updated volume covers tool materials tolerances an inspection of drilling tools requirements of tool drawings with examples and methodologies and procedures of failure analysis It introduces a new line of HP drilling tools called VPA designs and brings it into sharp focus signifying its importance in drilling operations High Productivity Drilling Tools Materials Metrology and Failure Analysis further develops the concept of the metrology of the drilling tools introduced in the first edition For the first time the relevant metrological parameters are clearly defined with tolerance for HPHD with practical examples of step by step inspection measurement using advanced tool measurement microscopes and CNC machines A pros and cons list as a quick and easy decision making tool for the choice of measuring equipment for a particular application is offered along with practical examples of drilling tool drawings to help tool designers cutting tool and manufacturing engineers and users in their everyday activities in the design and selection of HPDT for a particular application An unparalleled presentation of metalworking fluids MWFs a k a coolants is given and covers all the start of the business selection implementation in HPDT and drilling operation monitoring and maintenance A two step procedure for successful implementation of near dry machining NDM or minimum quantity lubrication MQL is presented and a discussion of the wear of the drilling tool its proper assessments and metrics are provided in the evaluation of tool life and quality of machined holes This practical book should be on the shelves of all industrial engineers those working in production and

manufacturing process designers tool material designers cutting tool designers and quality specialists Researchers senior undergraduate students and graduate students will also find this book full of very helpful reference information and the source of new ideas and notions in drilling tool development This book is also available as a set Drills High Productivity Drilling Tools 2 Volume Set 9781032203508 *Design of Electromechanical Products* Ali Jamnia,2016-12-08 Design development and life cycle management of any electromechanical product is a complex task that requires a cross functional team spanning multiple organizations including design manufacturing and service Ineffective design techniques combined with poor communication between various teams often leads to delays in product launches with last minute design compromises and changes The purpose of *Design of Electromechanical Products A Systems Approach* is to provide a practical set of guidelines and best practices for driving world class design development and sustainability of electromechanical products The information provided within this text is applicable across the entire span of product life cycle management from initial concept work to the detailed design analysis and development stages and through to product support and end of life It is intended for professional engineers designers and technical managers and provides a gateway to developing a product s design history file DHF and device aster record DMR These tools enable design engineers to communicate a product s design manufacturability and service procedures with various cross functional teams

SolidWorks Administration Bible Matt Lombard,2009-10-13 What you need to prepare install and maintain SolidWorks It s not enough to know how to use SolidWorks if your job also requires you to install or maintain it train new users and implement standards This in depth guide was written for those of you who have to actually manage your company s SolidWorks system From hardware selection to helping users to licensing and more this is the everyday bread and butter SolidWorks administration resource that IT and CAD managers have been seeking SolidWorks is a powerful 3D solid modeling system that is popular with CAD users everywhere but often leaves IT administrators in the dark as to how to manage it this essential guide covers SolidWorks admin for both IT staff and CAD users Walks you through preparing installing and maintaining SolidWorks Covers setting up shared libraries automated deployment tools licensing updates and upgrades support and troubleshooting standardization and collaboration Get the high level assistance you need to efficiently manage SolidWorks in your enterprise or small business Note CD ROM DVD and other supplementary materials are not included as part of eBook file *Drawing and Detailing with SolidWorks* David C. Planchard,Marie P. Planchard,2002

Index and Directory of U.S. Industry Standards ,1987 **Engineering Design Graphics Journal** ,2000 *A Commands Guide Tutorial for SolidWorks 2007* David C. Planchard,Marie P. Planchard,2007 **Engineering Drawing Practices** ,2017 **Technical Drawing 101 with AutoCAD** Douglas W. Smith,Antonio Ramirez,2009 For courses in Introduction to Technical Drawing Designed for the two year college or high school tech prep student this book offers a complete field tested curriculum for the first semester of technical drawing Its unique approach blends technical drawing

and intro to AutoCAD resulting in a book that emphasizes the fundamental concepts knowledge and skill needed for the second level courses Both mechanical and architectural projects are introduced to capture the interest of more students and to offer a broader appeal Instructor check prints and PowerPoint slides are provided to guide each lecture and the complete curriculum is designed to improve student retention and recruitment **Journal of Engineering Drawing** ,1957

The Enigmatic Realm of **Engineering Drawing Practices Asme** : Unleashing the Language is Inner Magic

In a fast-paced digital era where connections and knowledge intertwine, the enigmatic realm of language reveals its inherent magic. Its capacity to stir emotions, ignite contemplation, and catalyze profound transformations is nothing lacking extraordinary. Within the captivating pages of **Engineering Drawing Practices Asme** a literary masterpiece penned with a renowned author, readers set about a transformative journey, unlocking the secrets and untapped potential embedded within each word. In this evaluation, we shall explore the book's core themes, assess its distinct writing style, and delve into its lasting impact on the hearts and minds of people who partake in its reading experience.

https://py.bijouxmedusa.com/public/book-search/Download_PDFS/princess%20for%20hire%201%20lindsey%20leavitt.pdf

Table of Contents Engineering Drawing Practices Asme

1. Understanding the eBook Engineering Drawing Practices Asme
 - The Rise of Digital Reading Engineering Drawing Practices Asme
 - Advantages of eBooks Over Traditional Books
2. Identifying Engineering Drawing Practices Asme
 - Exploring Different Genres
 - Considering Fiction vs. Non-Fiction
 - Determining Your Reading Goals
3. Choosing the Right eBook Platform
 - Popular eBook Platforms
 - Features to Look for in an Engineering Drawing Practices Asme
 - User-Friendly Interface
4. Exploring eBook Recommendations from Engineering Drawing Practices Asme
 - Personalized Recommendations
 - Engineering Drawing Practices Asme User Reviews and Ratings
 - Engineering Drawing Practices Asme and Bestseller Lists

5. Accessing Engineering Drawing Practices Asme Free and Paid eBooks
 - Engineering Drawing Practices Asme Public Domain eBooks
 - Engineering Drawing Practices Asme eBook Subscription Services
 - Engineering Drawing Practices Asme Budget-Friendly Options
6. Navigating Engineering Drawing Practices Asme eBook Formats
 - ePub, PDF, MOBI, and More
 - Engineering Drawing Practices Asme Compatibility with Devices
 - Engineering Drawing Practices Asme Enhanced eBook Features
7. Enhancing Your Reading Experience
 - Adjustable Fonts and Text Sizes of Engineering Drawing Practices Asme
 - Highlighting and Note-Taking Engineering Drawing Practices Asme
 - Interactive Elements Engineering Drawing Practices Asme
8. Staying Engaged with Engineering Drawing Practices Asme
 - Joining Online Reading Communities
 - Participating in Virtual Book Clubs
 - Following Authors and Publishers Engineering Drawing Practices Asme
9. Balancing eBooks and Physical Books Engineering Drawing Practices Asme
 - Benefits of a Digital Library
 - Creating a Diverse Reading Collection Engineering Drawing Practices Asme
10. Overcoming Reading Challenges
 - Dealing with Digital Eye Strain
 - Minimizing Distractions
 - Managing Screen Time
11. Cultivating a Reading Routine Engineering Drawing Practices Asme
 - Setting Reading Goals Engineering Drawing Practices Asme
 - Carving Out Dedicated Reading Time
12. Sourcing Reliable Information of Engineering Drawing Practices Asme
 - Fact-Checking eBook Content of Engineering Drawing Practices Asme
 - Distinguishing Credible Sources
13. Promoting Lifelong Learning

- Utilizing eBooks for Skill Development
 - Exploring Educational eBooks
14. Embracing eBook Trends
- Integration of Multimedia Elements
 - Interactive and Gamified eBooks

Engineering Drawing Practices Asme Introduction

In today's digital age, the availability of Engineering Drawing Practices Asme books and manuals for download has revolutionized the way we access information. Gone are the days of physically flipping through pages and carrying heavy textbooks or manuals. With just a few clicks, we can now access a wealth of knowledge from the comfort of our own homes or on the go. This article will explore the advantages of Engineering Drawing Practices Asme books and manuals for download, along with some popular platforms that offer these resources. One of the significant advantages of Engineering Drawing Practices Asme books and manuals for download is the cost-saving aspect. Traditional books and manuals can be costly, especially if you need to purchase several of them for educational or professional purposes. By accessing Engineering Drawing Practices Asme versions, you eliminate the need to spend money on physical copies. This not only saves you money but also reduces the environmental impact associated with book production and transportation. Furthermore, Engineering Drawing Practices Asme books and manuals for download are incredibly convenient. With just a computer or smartphone and an internet connection, you can access a vast library of resources on any subject imaginable. Whether you're a student looking for textbooks, a professional seeking industry-specific manuals, or someone interested in self-improvement, these digital resources provide an efficient and accessible means of acquiring knowledge. Moreover, PDF books and manuals offer a range of benefits compared to other digital formats. PDF files are designed to retain their formatting regardless of the device used to open them. This ensures that the content appears exactly as intended by the author, with no loss of formatting or missing graphics. Additionally, PDF files can be easily annotated, bookmarked, and searched for specific terms, making them highly practical for studying or referencing. When it comes to accessing Engineering Drawing Practices Asme books and manuals, several platforms offer an extensive collection of resources. One such platform is Project Gutenberg, a nonprofit organization that provides over 60,000 free eBooks. These books are primarily in the public domain, meaning they can be freely distributed and downloaded. Project Gutenberg offers a wide range of classic literature, making it an excellent resource for literature enthusiasts. Another popular platform for Engineering Drawing Practices Asme books and manuals is Open Library. Open Library is an initiative of the Internet Archive, a non-profit organization dedicated to digitizing cultural artifacts and making them accessible to the public. Open Library hosts millions of books, including both public domain works

and contemporary titles. It also allows users to borrow digital copies of certain books for a limited period, similar to a library lending system. Additionally, many universities and educational institutions have their own digital libraries that provide free access to PDF books and manuals. These libraries often offer academic texts, research papers, and technical manuals, making them invaluable resources for students and researchers. Some notable examples include MIT OpenCourseWare, which offers free access to course materials from the Massachusetts Institute of Technology, and the Digital Public Library of America, which provides a vast collection of digitized books and historical documents. In conclusion, Engineering Drawing Practices Asme books and manuals for download have transformed the way we access information. They provide a cost-effective and convenient means of acquiring knowledge, offering the ability to access a vast library of resources at our fingertips. With platforms like Project Gutenberg, Open Library, and various digital libraries offered by educational institutions, we have access to an ever-expanding collection of books and manuals. Whether for educational, professional, or personal purposes, these digital resources serve as valuable tools for continuous learning and self-improvement. So why not take advantage of the vast world of Engineering Drawing Practices Asme books and manuals for download and embark on your journey of knowledge?

FAQs About Engineering Drawing Practices Asme Books

How do I know which eBook platform is the best for me? Finding the best eBook platform depends on your reading preferences and device compatibility. Research different platforms, read user reviews, and explore their features before making a choice. Are free eBooks of good quality? Yes, many reputable platforms offer high-quality free eBooks, including classics and public domain works. However, make sure to verify the source to ensure the eBook credibility. Can I read eBooks without an eReader? Absolutely! Most eBook platforms offer webbased readers or mobile apps that allow you to read eBooks on your computer, tablet, or smartphone. How do I avoid digital eye strain while reading eBooks? To prevent digital eye strain, take regular breaks, adjust the font size and background color, and ensure proper lighting while reading eBooks. What the advantage of interactive eBooks? Interactive eBooks incorporate multimedia elements, quizzes, and activities, enhancing the reader engagement and providing a more immersive learning experience. Engineering Drawing Practices Asme is one of the best book in our library for free trial. We provide copy of Engineering Drawing Practices Asme in digital format, so the resources that you find are reliable. There are also many Ebooks of related with Engineering Drawing Practices Asme . Where to download Engineering Drawing Practices Asme online for free? Are you looking for Engineering Drawing Practices Asme PDF? This is definitely going to save you time and cash in something you should think about. If you trying to find then search around for online. Without a doubt there are numerous these available and many of them have the

freedom. However without doubt you receive whatever you purchase. An alternate way to get ideas is always to check another Engineering Drawing Practices Asme . This method for see exactly what may be included and adopt these ideas to your book. This site will almost certainly help you save time and effort, money and stress. If you are looking for free books then you really should consider finding to assist you try this. Several of Engineering Drawing Practices Asme are for sale to free while some are payable. If you arent sure if the books you would like to download works with for usage along with your computer, it is possible to download free trials. The free guides make it easy for someone to free access online library for download books to your device. You can get free download on free trial for lots of books categories. Our library is the biggest of these that have literally hundreds of thousands of different products categories represented. You will also see that there are specific sites catered to different product types or categories, brands or niches related with Engineering Drawing Practices Asme . So depending on what exactly you are searching, you will be able to choose e books to suit your own need. Need to access completely for Campbell Biology Seventh Edition book? Access Ebook without any digging. And by having access to our ebook online or by storing it on your computer, you have convenient answers with Engineering Drawing Practices Asme To get started finding Engineering Drawing Practices Asme , you are right to find our website which has a comprehensive collection of books online. Our library is the biggest of these that have literally hundreds of thousands of different products represented. You will also see that there are specific sites catered to different categories or niches related with Engineering Drawing Practices Asme So depending on what exactly you are searching, you will be able to choose ebook to suit your own need. Thank you for reading Engineering Drawing Practices Asme . Maybe you have knowledge that, people have search numerous times for their favorite readings like this Engineering Drawing Practices Asme , but end up in harmful downloads. Rather than reading a good book with a cup of coffee in the afternoon, instead they juggled with some harmful bugs inside their laptop. Engineering Drawing Practices Asme is available in our book collection an online access to it is set as public so you can download it instantly. Our digital library spans in multiple locations, allowing you to get the most less latency time to download any of our books like this one. Merely said, Engineering Drawing Practices Asme is universally compatible with any devices to read.

Find Engineering Drawing Practices Asme :

princess for hire 1 lindsey leavitt

~~principles of instrumental analysis skoog 7th edition~~

~~pressure and vacuum relief valves procon~~

~~principles of hydrology~~

production technology p c sharma book

[principles of management 10th edition robbins coulter](#)

[practical handbook of modern library cataloging](#)

[pro-engineer manual](#)

[principles of colloid and surface chemistry third edition revised and expanded undergraduate chemistry a series of textbooks](#)

[pre-referral intervention manual third edition](#)

[project management by mike field laurie keller](#)

[pre-commissioning procedures pdf wordpress](#)

[promissory note promissory note issuer abc real estate](#)

[princeton readings in political thought cohen](#)

[projectile motion phet simulations lab answers](#)

Engineering Drawing Practices Asme :

[el arte de la seducción spanish edition greene robert](#) - Nov 11 2022

web apr 1 2020 [el arte de la seducción spanish edition greene robert 9786075277851 amazon com books books self help success buy new 25 50 list price 29 00 save 3 50 12 3 99 delivery september 14 21 details select delivery location in stock usually ships within 4 to 5 days qty 1 add to cart buy now payment secure](#)

[el arte de la seducción robert greene planetadelibros](#) - Apr 16 2023

web veinticuatro maniobras guiarán a los lectores por el proceso de seducción proporcionando instrucciones astutas y amorales y un análisis de esta dominante forma de poder una obra indispensable sobre la persuasión que ofrece las mejores lecciones sobre cómo obtener lo que queremos de los demás leer más

[el arte de la seducción guía rápida the art of seduction quick guide](#) - May 05 2022

web actualmente viaja por el mundo impartiendo sus conocimientos esta guía rápida de el arte de la seducción te enseña a aplicar sus secretos en todos los ámbitos de la vida incluidos los negocios utiliza la sabiduría que entrañan evitar el alto costo de llegar a ser una presa fácil enriquece tu vida conociendo este arte

[resumen de el arte de la cdn bookey app](#) - Mar 03 2022

web el arte de la seducción publicado en 2001 es el segundo libro de robert greene este libro un superventas internacional ofrece una explicación completa y compleja del arte de la seducción proporcionándoles a los lectores los conocimientos necesarios para comprender la delicada dinámica de la seducción exitosa sobre el autor

[el arte de la seducción resumen robert greene](#) - Jul 07 2022

web jan 4 2023 el arte de la seducción publicado en 2001 es el segundo libro de robert greene este libro un superventas internacional ofrece una explicación completa y compleja del arte de la seducción proporcionándoles a los lectores los conocimientos necesarios para comprender la delicada dinámica de la seducción exitosa los lectores

el arte de la seducción por robert green autor de las 48 leyes del - Feb 02 2022

web crear necesidades y suscitar ansiedad en la persona a la que queremos seducir utilizar el poder de la palabra estimular y explorar el lado oscuro para crear vínculos

el arte de la seducción robert greene lecturalia - Mar 15 2023

web resumen y sinopsis de el arte de la seducción de robert greene del creador del bestseller las cuarenta y ocho leyes del poder llega una continuación fascinante un nuevo manual sobre la forma de poder más sutil y efectiva

el arte de la seducción robert greene joost elffers - Feb 14 2023

web o ser seducido 24 estrategias para dominar este arte 24 claves que reúnen todas las estrategias para seducir a alguien no solo en las relaciones sentimentales sino en cualquier ámbito de la vida en los negocios entre amigos en el entorno familiar

el arte de la seducción robert greene academia edu - Sep 21 2023

web se trata de la seducción una habilidad que está al alcance de cualquiera y que empleada con destreza permite manipular controlar y doblegar la voluntad de los demás sin recurrir a la violencia física ni a la presión psicológica

el arte de la seducción by robert greene goodreads - Dec 12 2022

web jan 1 2001 la seducción es el más astuto esquivo y útil sistema de poder el aclamado autor de las 33 estrategias de la guerra y las 48 leyes del poder revela en este libro una de las armas más poderosas con las que contamos en la vida social afectiva y profesional

el arte de la seducción robert greene casa del libro - Jan 13 2023

web es autor de varios best sellers internacionales entre los que destacan las 48 leyes del poder y el arte de la seducción vive en los Ángeles joost elfers es editor productor y diseñador de libros desde hace más de 40 años en 1995 conoció a robert greene quien le propuso publicar un ensayo sobre el poder que se convertiría en las 48

el arte de la seducción greene robert 9788467028911 - May 17 2023

web el arte de la seducción spanish edition 29 00 830 in stock el arte de la seducción es una síntesis magistral de la obra de pensadores como freud ovidio kierkegaard y einstein así como de los logros obtenidos por los mayores seductores de la historia

download el arte de la seducción pdf by robert greene - Aug 20 2023

web read download pdf el arte de la seducción by robert greene update the latest version with high quality try now

el arte de la seducción robert greene google books - Jun 18 2023

web apr 1 2019 el arte de la seducción robert greene océano apr 1 2019 self help 588 pages un agudo examen sobre la esencia de la seducción el modo de influencia más refinada la forma

el arte de la seducción robert greene pdf 1library co - Aug 08 2022

web el arte de la seducción robert greene pdf n a n a protected año académico 2021 547 5k 494 mostrar más página descargar ahora 547 página texto completo 1 2 consigue lo que quieras manipulando la más importante debilidad de cualquier persona el deseo de placer

el arte de la seducción fuera de colección y one shot - Oct 10 2022

web 10 00 4 nuevo desde 10 00 el arte de la seducción es una síntesis magistral de la obra de pensadores como freud ovidio kierkegaard y einstein así como de los logros obtenidos por los mayores seductores de la historia

el arte de la seducción robert greene joost elffers - Jun 06 2022

web el arte de la seducción robert greene joost elffers sé el primero a en valorar este libro editorial espasa temática autoayuda relaciones número de páginas 512 sinopsis de el arte de la seducción

el arte de la seducción robert greene archive org - Jul 19 2023

web dec 18 2020 el arte de la seducción robert greene la esencia de la seducción sigue siendo la misma jamás lo enérgico y directo sino el uso del placer como anzuelo a fin de explotar las emociones de la gente provocar deseo y

pdf el arte de la seducción robert green 2da edición - Apr 04 2022

web llevada a la altura del arte la seducción ha acabado con imperios ganado elecciones presidenciales y esclavizado a las mentes más brillantes entre sus múltiples rostros se incluyen la sirena la calavera el amante ideal el dandi el seductor natural la coqueta el encantador y el carismático

arte de la seducción el tercera edición pasta blanda - Sep 09 2022

web las 48 leyes del poder las 33 estrategias de la guerra el arte de la seducción maestría y las leyes de la naturaleza humana constituyen un corpus indispensable para comprender por qué pensamos y actuamos como lo hacemos cómo potenciar nuestras cualidades y mitigar nuestros defectos y cómo conseguir nuestros objetivos y triunfar por

9783772363221 der hobby elektroniker lernt messen dieter - Jan 14 2023

web der hobby elektroniker lernt messen finden sie alle bücher von dieter nührmann bei der büchersuchmaschine eurobuch ch können sie antiquarische und neubücher vergleichen und sofort zum bestpreis bestellen 9783772363221 267 pages

elektronik hobi pic programlama kursu pic programlama - Aug 09 2022

web jun 5 2012 elektronik hobi pic programlama kursları ve eğitimlerinin düzenlendiği elektronik devreler ile ilgili çeşitli makalelerin bulunduğu elektronik hobi kitabı yazarı güçlü tuğay tarafından oluşturulan ve yönetilen bir sitedir

der hobby elektroniker lernt messen amazon de bücher - Aug 21 2023

web der hobby elektroniker lernt messen isbn 9783772300486 kostenloser versand für alle bücher mit versand und verkauf duch amazon

hobby elektroniker lernt messen richtigen abebooks - Apr 17 2023

web der hobby elektroniker lernt messen mit richtigen messmethoden dem fehler auf die schliche kommen von nührmann dieter und eine große auswahl ähnlicher bücher kunst und sammlerstücke erhältlich auf abebooks de

der hobby elektroniker lernt messen bücher de - May 18 2023

web bei bücher de kaufen sie dieses buch portofrei der hobby elektroniker lernt messen stöbern sie im onlineshop von buecher de und kaufen sie ihre artikel versandkostenfrei und ohne mindestbestellwert

der hobby elektroniker lernt messen mit richtigen - Sep 22 2023

web der hobby elektroniker lernt messen mit richtigen messmethoden dem fehler auf die schliche kommen broschiert es wird kein kindle gerät benötigt lade eine der kostenlosen kindle apps herunter und beginne kindle bücher auf deinem smartphone tablet und computer zu lesen

der hobby elektroniker lernt messen mit richtigen eurobuch - Feb 15 2023

web der hobby elektroniker lernt messen mit richtigen meßmethoden dem fehler auf die schliche kommen finden sie alle bücher von nührmann dieter bei der büchersuchmaschine eurobuch com können sie antiquarische und neubücher vergleichen und sofort zum bestpreis bestellen gebraucht sehr guter zustand

9783772300486 der hobby elektroniker lernt messen - Dec 13 2022

web der hobby elektroniker lernt messen finden sie alle bücher von nührmann dieter bei der büchersuchmaschine eurobuch ch können sie antiquarische und neubücher vergleichen und sofort zum bestpreis bestellen 9783772300486 ed softcover pu franzis tadellos erhaltenes exemplar illustr originaleinband

der hobby elektroniker lernt messen mit richtigen abebooks - Oct 11 2022

web der hobby elektroniker lernt messen mit richtigen messmethoden dem fehler auf die schliche kommen isbn 10 3772300472 isbn 13 9783772300479 softcover mit richtigen messmethoden dem fehler auf die schliche kommen 9783772300479 abebooks

3772300413 der hobby elektroniker lernt messen eurobuch - Mar 16 2023

web der hobby elektroniker lernt messen mit richtigen messmethoden dem fehler auf die schliche kommen finden sie alle bücher von nührmann dieter bei der büchersuchmaschine eurobuch com können sie antiquarische und neubücher vergleichen und sofort zum bestpreis bestellen 3772300413 pu münchen franzis bücher

der hobby elektroniker lernt messen abebooks - Nov 12 2022

web soft cover rpb electronic taschenbücher 4 franzis münchen 1981 3 aufl 109 s okart kl 8 minimal bestoßen und gebräunt
der hobby elektroniker lernt messen der hobby elektroniker lernt messen by nührmann dieter antiquariat der papiersammler
der hobby elektroniker lernt messen mit richtigen buch - Sep 10 2022

web der hobby elektroniker lernt messen mit richtigen buch zustand sehr gut so macht sparen spaß bis zu 70 ggü neupreis
der hobbyelektroniker - Jul 08 2022

web der schwerpunkt liegt aber klar bei der elektronik vielleicht habt ihr schon erfolgreich projekte aus dem internet
nachgebaut ohne vollständig zu verstehen wieso das so gemacht werden muss sobald man aber etwas ändern oder erweitern
möchte fehlt plötzlich das wissen genau darum geht es hier lernen kann langweilig sein oder man
der hobby elektroniker youtube - Jun 07 2022

web share your videos with friends family and the world

der hobby elektroniker lernt messen gebundene ausgabe amazon de - Apr 05 2022

web der hobby elektroniker lernt messen dieter nührmann isbn 9783772363221 kostenloser versand für alle bücher mit
versand und verkauf duch amazon

der hobby elektroniker lernt messen booklooker - Jul 20 2023

web behandelt werden die fehlerrechnung systematischer und zufälliger fehler die erfassung von dynamischen messfehlern
und ihren korrekturen geräte und verfahren der

derhobbyelektronikerlerntmessen pdf ftp startbloggingonline - May 06 2022

web der hobby elektroniker lernt messen an introduction to kachchayana s grammar of the pali language kosmos
barsortiment lagerkatalog german books in print gesamtverzeichnis der Übersetzungen deutschsprachiger werke gvÜ
berichtszeitraum 1954 1990 börsenblatt für den deutschen buchhandel

3772300448 der hobby elektroniker lernt messen mit richtigen - Jun 19 2023

web der hobby elektroniker lernt messen mit richtigen messmethoden dem fehler auf die schliche kommen finden sie alle
bücher von dieter nührmann bei der büchersuchmaschine eurobuch de können sie antiquarische und neubücher vergleichen
und sofort zum bestpreis bestellen 3772300448 ean 9783772300448

philosophy of science a contemporary introduction google - Apr 23 2022

web may 30 2002 philosophy of science a very short introduction provides an overview of the main themes of contemporary
philosophy of science beginning with a short

philosophy of science a contemporary introduction routledge - Feb 02 2023

web summary any serious student attempting to better understand the nature methods and justification of science will value
alex rosenberg s updated and substantially revised

[philosophy of science a contemporary introduction routledge](#) - Jun 06 2023

web routledge feb 10 2011 philosophy 320 pages any serious student attempting to better understand the nature methods and justification of science will value alex rosenberg s

philosophy of science a contemporary introduction second edition - Dec 20 2021

[philosophy of science a contemporary introduction](#) - Feb 19 2022

web philosophy of science a contemporary introduction alexander rosenberg psychology press 2000 science 191 pages 0 reviews reviews aren t verified but google checks

[philosophy of science a contemporary introduction](#) - Sep 09 2023

web it will prove valuable to students studying philosophy of science as well as science students prize winning author alex rosenberg explores the philosophical problems

philosophy of science a contemporary introduction - Mar 23 2022

web philosophy of science a contemporary introduction introduces all the main themes in the philosophy of science including the nature of causation explanation laws theory

philosophy of science a contemporary introduction - Jan 01 2023

web jul 12 2011 any serious student attempting to better understand the nature methods and justification of science will value alex rosenberg s updated and substantially revised

[philosophy of science a contemporary introduction](#) - Oct 10 2023

web description any serious student attempting to better understand the nature methods and justification of science will value alex rosenberg and lee mcintyre s updated and substantially revised fourth edition of philosophy of science a contemporary

philosophy of science a contemporary introduction google - Mar 03 2023

web philosophy of science a contemporary introduction alexander rosenberg psychology press 2000 philosophy 191 pages this user friendly text covers key issues in the

[philosophy of science a contemporary introduction routledge](#) - Aug 28 2022

web alex rosenberg includes new material on a number of subjects including the theory of natural selection popper lakatos and leibniz feminist philosophy of science

philosophy of science a contemporary introduction google - Nov 30 2022

web jun 29 2005 philosophy of science a contemporary introduction routledge contemporary introductions to philosophy 43 86 only 7 left in stock order soon

philosophy of science a contemporary introduction google - Nov 18 2021

[philosophy of science a contemporary introduction](#) - Jul 07 2023

web apr 29 2005 identifies the philosophical problems that science raises through an examination of questions about its nature methods and justification a valuable

philosophy of science a contemporary introduction alex - May 05 2023

web nov 22 2019 philosophy of science a contemporary introduction routledge contemporary introductions to philosophy 4th edition by alex rosenberg author

[philosophy of science a contemporary introduction routledge](#) - Sep 28 2022

web aug 17 2011 philosophy of science a contemporary introduction routledge contemporary introductions to philosophy 3rd edition by alex rosenberg author

[philosophy of science a contemporary introduction](#) - Aug 08 2023

web aug 24 2000 this user friendly text covers key issues in the philosophy of science in an accessible and philosophically serious way it will prove valuable to students studying

philosophy of science a very short introduction oxford academic - Jan 21 2022

philosophy of science a contemporary introduction routledge - Jun 25 2022

web philosophy of science a contemporary introduction alexander rosenberg new york routledge 2000 copy bibtex abstract this user friendly text covers key issues in the

philosophy of science a contemporary introduction - Oct 30 2022

web philosophy of science a contemporary introduction responsibility alex rosenberg edition 2nd ed imprint new york london routledge 2005 physical description x 213

philosophy of science a contemporary introduction alex - Apr 04 2023

web philosophy of science a contemporary introduction responsibility alex rosenberg edition 3rd ed imprint new york routledge 2012 physical description xii 308 p ill

philosophy of science a contemporary introduction google - May 25 2022

web philosophy of science a contemporary introduction author alexander rosenberg summary this text identifies the profound philosophical problems that science raises

[philosophy of science a contemporary introduction](#) - Jul 27 2022

web alex rosenberg includes new material on a number of subjects including the theory of natural selection popper lakatos

and leibniz feminist philosophy of science