

21213

4 Hours / 100 Marks

Seat No.

4	5	9	6	2	8	-	+
---	---	---	---	---	---	---	---

- Instructions :**
- (1) All Questions are *compulsory*.
  - (2) Illustrate your answers with neat sketches wherever necessary.
  - (3) Figures to the right indicate full marks.
  - (4) Assume suitable data, if necessary.
  - (5) Use of Non-Programmable Electronic Pocket Calculator is permissible.
  - (6) Mobile Phone, Pager and any other Electronic Communication devices are not permissible in Examination Hall.
  - (7) Use only H/2H grade pencil.

1. (a) A pictorial view of an object is shown in Fig. 1. Draw following views by using 1<sup>st</sup> Angle method of projection :
- (1) Sectional F.V; section along A – A.
  - (2) Left hand side view.

Marks

5  
5

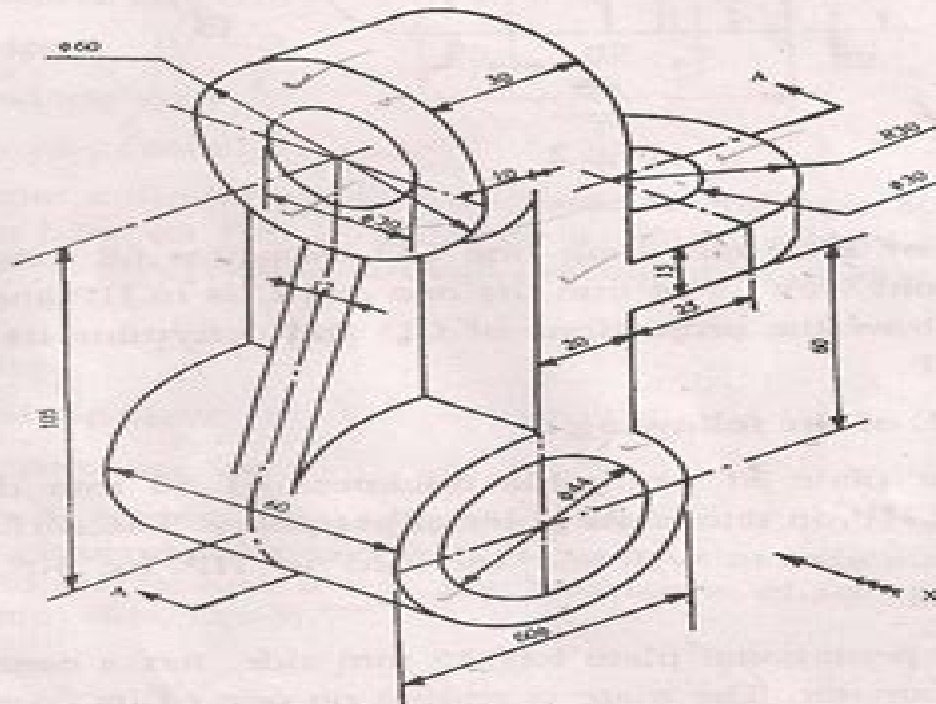


Fig. 1

# Engineering Drawing Previous Question Papers

**Jianjun Gao**



## **Engineering Drawing Previous Question Papers:**

Ignite the flame of optimism with is motivational masterpiece, Fuel Your Spirit with **Engineering Drawing Previous Question Papers** . In a downloadable PDF format ( PDF Size: \*), this ebook is a beacon of encouragement. Download now and let the words propel you towards a brighter, more motivated tomorrow.

[https://py.bijouxmedusa.com/data/scholarship/fetch.php/forward\\_air\\_inc\\_tracking\\_online\\_transport\\_tracking.pdf](https://py.bijouxmedusa.com/data/scholarship/fetch.php/forward_air_inc_tracking_online_transport_tracking.pdf)

## **Table of Contents Engineering Drawing Previous Question Papers**

1. Understanding the eBook Engineering Drawing Previous Question Papers
  - The Rise of Digital Reading Engineering Drawing Previous Question Papers
  - Advantages of eBooks Over Traditional Books
2. Identifying Engineering Drawing Previous Question Papers
  - Exploring Different Genres
  - Considering Fiction vs. Non-Fiction
  - Determining Your Reading Goals
3. Choosing the Right eBook Platform
  - Popular eBook Platforms
  - Features to Look for in an Engineering Drawing Previous Question Papers
  - User-Friendly Interface
4. Exploring eBook Recommendations from Engineering Drawing Previous Question Papers
  - Personalized Recommendations
  - Engineering Drawing Previous Question Papers User Reviews and Ratings
  - Engineering Drawing Previous Question Papers and Bestseller Lists
5. Accessing Engineering Drawing Previous Question Papers Free and Paid eBooks
  - Engineering Drawing Previous Question Papers Public Domain eBooks
  - Engineering Drawing Previous Question Papers eBook Subscription Services
  - Engineering Drawing Previous Question Papers Budget-Friendly Options
6. Navigating Engineering Drawing Previous Question Papers eBook Formats

- ePub, PDF, MOBI, and More
  - Engineering Drawing Previous Question Papers Compatibility with Devices
  - Engineering Drawing Previous Question Papers Enhanced eBook Features
7. Enhancing Your Reading Experience
    - Adjustable Fonts and Text Sizes of Engineering Drawing Previous Question Papers
    - Highlighting and Note-Taking Engineering Drawing Previous Question Papers
    - Interactive Elements Engineering Drawing Previous Question Papers
  8. Staying Engaged with Engineering Drawing Previous Question Papers
    - Joining Online Reading Communities
    - Participating in Virtual Book Clubs
    - Following Authors and Publishers Engineering Drawing Previous Question Papers
  9. Balancing eBooks and Physical Books Engineering Drawing Previous Question Papers
    - Benefits of a Digital Library
    - Creating a Diverse Reading Collection Engineering Drawing Previous Question Papers
  10. Overcoming Reading Challenges
    - Dealing with Digital Eye Strain
    - Minimizing Distractions
    - Managing Screen Time
  11. Cultivating a Reading Routine Engineering Drawing Previous Question Papers
    - Setting Reading Goals Engineering Drawing Previous Question Papers
    - Carving Out Dedicated Reading Time
  12. Sourcing Reliable Information of Engineering Drawing Previous Question Papers
    - Fact-Checking eBook Content of Engineering Drawing Previous Question Papers
    - Distinguishing Credible Sources
  13. Promoting Lifelong Learning
    - Utilizing eBooks for Skill Development
    - Exploring Educational eBooks
  14. Embracing eBook Trends
    - Integration of Multimedia Elements
    - Interactive and Gamified eBooks

### Engineering Drawing Previous Question Papers Introduction

Engineering Drawing Previous Question Papers Offers over 60,000 free eBooks, including many classics that are in the public domain. Open Library: Provides access to over 1 million free eBooks, including classic literature and contemporary works. Engineering Drawing Previous Question Papers Offers a vast collection of books, some of which are available for free as PDF downloads, particularly older books in the public domain. Engineering Drawing Previous Question Papers : This website hosts a vast collection of scientific articles, books, and textbooks. While it operates in a legal gray area due to copyright issues, its a popular resource for finding various publications. Internet Archive for Engineering Drawing Previous Question Papers : Has an extensive collection of digital content, including books, articles, videos, and more. It has a massive library of free downloadable books. Free-eBooks Engineering Drawing Previous Question Papers Offers a diverse range of free eBooks across various genres. Engineering Drawing Previous Question Papers Focuses mainly on educational books, textbooks, and business books. It offers free PDF downloads for educational purposes. Engineering Drawing Previous Question Papers Provides a large selection of free eBooks in different genres, which are available for download in various formats, including PDF. Finding specific Engineering Drawing Previous Question Papers, especially related to Engineering Drawing Previous Question Papers, might be challenging as theyre often artistic creations rather than practical blueprints. However, you can explore the following steps to search for or create your own Online Searches: Look for websites, forums, or blogs dedicated to Engineering Drawing Previous Question Papers, Sometimes enthusiasts share their designs or concepts in PDF format. Books and Magazines Some Engineering Drawing Previous Question Papers books or magazines might include. Look for these in online stores or libraries. Remember that while Engineering Drawing Previous Question Papers, sharing copyrighted material without permission is not legal. Always ensure youre either creating your own or obtaining them from legitimate sources that allow sharing and downloading. Library Check if your local library offers eBook lending services. Many libraries have digital catalogs where you can borrow Engineering Drawing Previous Question Papers eBooks for free, including popular titles. Online Retailers: Websites like Amazon, Google Books, or Apple Books often sell eBooks. Sometimes, authors or publishers offer promotions or free periods for certain books. Authors Website Occasionally, authors provide excerpts or short stories for free on their websites. While this might not be the Engineering Drawing Previous Question Papers full book , it can give you a taste of the authors writing style. Subscription Services Platforms like Kindle Unlimited or Scribd offer subscription-based access to a wide range of Engineering Drawing Previous Question Papers eBooks, including some popular titles.

### FAQs About Engineering Drawing Previous Question Papers Books

**What is a Engineering Drawing Previous Question Papers PDF?** A PDF (Portable Document Format) is a file format developed by Adobe that preserves the layout and formatting of a document, regardless of the software, hardware, or operating system used to view or print it. **How do I create a Engineering Drawing Previous Question Papers PDF?** There are several ways to create a PDF: Use software like Adobe Acrobat, Microsoft Word, or Google Docs, which often have built-in PDF creation tools. Print to PDF: Many applications and operating systems have a "Print to PDF" option that allows you to save a document as a PDF file instead of printing it on paper. Online converters: There are various online tools that can convert different file types to PDF. **How do I edit a Engineering Drawing Previous Question Papers PDF?** Editing a PDF can be done with software like Adobe Acrobat, which allows direct editing of text, images, and other elements within the PDF. Some free tools, like PDFescape or Smallpdf, also offer basic editing capabilities. **How do I convert a Engineering Drawing Previous Question Papers PDF to another file format?** There are multiple ways to convert a PDF to another format: Use online converters like Smallpdf, Zamzar, or Adobe Acrobats export feature to convert PDFs to formats like Word, Excel, JPEG, etc. Software like Adobe Acrobat, Microsoft Word, or other PDF editors may have options to export or save PDFs in different formats. **How do I password-protect a Engineering Drawing Previous Question Papers PDF?** Most PDF editing software allows you to add password protection. In Adobe Acrobat, for instance, you can go to "File" -> "Properties" -> "Security" to set a password to restrict access or editing capabilities. Are there any free alternatives to Adobe Acrobat for working with PDFs? Yes, there are many free alternatives for working with PDFs, such as: LibreOffice: Offers PDF editing features. PDFsam: Allows splitting, merging, and editing PDFs. Foxit Reader: Provides basic PDF viewing and editing capabilities. How do I compress a PDF file? You can use online tools like Smallpdf, ILovePDF, or desktop software like Adobe Acrobat to compress PDF files without significant quality loss. Compression reduces the file size, making it easier to share and download. Can I fill out forms in a PDF file? Yes, most PDF viewers/editors like Adobe Acrobat, Preview (on Mac), or various online tools allow you to fill out forms in PDF files by selecting text fields and entering information. Are there any restrictions when working with PDFs? Some PDFs might have restrictions set by their creator, such as password protection, editing restrictions, or print restrictions. Breaking these restrictions might require specific software or tools, which may or may not be legal depending on the circumstances and local laws.

### Find Engineering Drawing Previous Question Papers :

**forward air inc tracking online transport tracking**

**fleetwood mac little lies sheet music in a major**

[focus business studies grade 12 caps pdf download](#)

[fiche technique honda xlr xlr 125 r largus fr](#)

[fema is 860 e answers](#)

[finite element analysis m j fagan pdf](#)

**forno a microonde 25 litri con grill howell**

**fers disability medical report document**

**fce speaking exam part 1 tiny tefl teacher home**

[financial derivatives questions and solutions](#)

[field guide to the birds of thailand and southeast asia](#)

**fendt farmer ersatzteile fendt farmer nfz teile und**

**fatigue design second edition international series on the strength and fracture of materials and structures**

[financing smes and entrepreneurs 2017 oecd](#)

**filetype soal logika**

### **Engineering Drawing Previous Question Papers :**

*Öğrenciler tabii İle eđlenerek Öğrenecek meb* - Jul 01 2022

web teacher beep 3 actividades recognizing the pretentiousness ways to get this ebook teacher beep 3 actividades is additionally useful you have remained in right site to begin getting this info acquire the teacher beep 3 actividades link that we come up with the money for here and check out the link

**teacher beep 3 actividades pqr uiaf gov co** - Apr 29 2022

web teacher beep 3 actividades right here we have countless book teacher beep 3 actividades and collections to check out we additionally come up with the money for variant types and plus type of the books to browse the gratifying book fiction history novel scientific research as well as various additional sorts of books are readily

**bep Öğrencileri İçin hazırlanmış türkçe Çalışma etkinlik** - Jan 07 2023

web jan 18 2021 sınıf basit türemiş birleşik kelimeler konu anlatımı 3 sınıf basit türemiş birleşik kelimeler konu anlatımı konu özeti şeklinde olup temel bilgileri içermektedir basit sözcükler aldığı ekle anlamı değışmeyen sözcüklerdir Örneđin çocuklar kitaplar gibi türemiş sözcükler aldığı ekle yeni anlam kazanan

[teacher beep 3 actividades pdf status restek wwu edu](#) - Sep 22 2021

**teacher beep 3 actividades pdf** - Feb 25 2022

web teacher beep 3 actividades 1 teacher beep 3 actividades this is likewise one of the factors by obtaining the soft documents of this teacher beep 3 actividades by online you might not require more epoch to spend to go to the book foundation as

**teacher beep 3 actividades test prconvention** - Dec 26 2021

web roy norris 2013 03 01 the teacher s book is accompanied by a dvd rom with tests in both pdf and editable word format along with a series of teacher training videos there is also additional photocopiable material in the teacher s book with a

**teacher s resource book pdf beep 3 teacher s resource** - Jun 12 2023

web 2 teacher beep 3 actividades 2023 04 15 a flip style book designed for children with limited speech unintelligible speech and or childhood apraxia of speech outliers penguin uk the role of arab women is often perceived one

beep 3 slideshare - Jul 13 2023

web the beep teacher s i book contains the student s book the activity book the teacher s book the teacher s resource book the grammar booklet and the beep reader as well as i flashcards i posters i story cards plus extra interactive activities which provide thorough practice of the course contents

*teacher beep 3 actividades apistaging edisoninteractive com* - Feb 08 2023

web jun 3 2023 as this teacher beep 3 actividades pdf it ends going on physical one of the favored ebook teacher beep 3 actividades pdf collections that we have this is why you remain in the best website to look the unbelievable books to have beep 3 teacher s resource book pdf scribd

teacher beep 3 actividades pdf free - Mar 29 2022

web teacher beep 3 actividades 1 teacher beep 3 actividades recognizing the pretension ways to acquire this books teacher beep 3 actividades is additionally useful you have remained in right site to start getting this info get the teacher beep 3 actividades connect that we have the funds for here and check out the link

**teacher beep 3 actividades analytics budgetbakers com** - Sep 03 2022

web Öğrencilerimizin yaz tatilini daha verimli geçirmeleri ve oyun yoluyla eğlenerek öğrenmelerini sağlayacak olan tabii uygulamasında türkçe matematik sosyal bilgiler ve fen bilimleri derslerinden günlük toplam 40 soru cevaplanacak

**teacher beep 3 actividades pdf copy** - Dec 06 2022

web apr 10 2018 pepee ile eğlenceye hazır mısın Çocuk şarkıları eğlenceli oyunlar oyun havaları çocuk bilmeceleri bulmacalar okul öncesi eğitici içerikler ve dahası

**access free teacher beep 3 actividades pdf for free** - Mar 09 2023

web bu sayfada bep Öğrencileri İçin hazırlanmış türkçe Çalışma etkinlik kağıtları adlı dosya bulunmaktadır download linki aktif olduğunda bep Öğrencileri İçin hazırlanmış türkçe Çalışma etkinlik kağıtları dosyasını bilgisayarınıza indirebilirsiniz

**teacher beep 3 actividades banking finance gov ie** - May 11 2023

web jul 15 2023 ebook teacher beep 3 actividades is additionally useful you have remained in right site to begin getting this info get the teacher beep 3 actividades associate that we pay for here and check out the link you could buy lead teacher beep 3 actividades or get it as soon as feasible you could speedily download this teacher

**pepee okullu oluyor 8 saatlik sabır Çocuk oyunu yeni düşyeri** - Oct 04 2022

web teacher beep 3 actividades is available in our book collection an online access to it is set as public so you can get it instantly our digital library spans in multiple locations allowing you to get the most less latency time to download any of our books like this one kindly say the teacher beep 3 actividades is universally

**teacher beep 3 actividades pqr uiaf gov co** - Aug 02 2022

web mar 27 2023 key features of the teacher s book exhaustive support for the teacher with technical help where needed a photocopiable extra activities section answer key and tapescripts

**teacher beep 3 actividades pdf pdf api2 igetweb** - Oct 24 2021

teacher beep 3 actividades pdf full pdf voto uncal edu - Nov 24 2021

web webteacher beep 3 actividades 3 3 the teacher s book is accompanied by a dvd rom with tests in both pdf and editable word format along with a series of teacher training videos there is also additional photocopiable material in the teacher s book with a focus on material for the speaking test

**3 sınıf basit türemiş birleşik kelimeler konu anlatımı ve etkinliği** - Nov 05 2022

web beep 3 teacher s book doll e 1 0 greenman and the magic forest a pupil s book with stickers and pop outs beep 4 student s book pack outliers really fun travel activity book for 5 7 year olds fun educational activity book for five to seven year old children coding as a playground kid s box beep 2 activity book pack physics for scientists

**teacher beep 3 actividades pdf segundaespecialidad** - May 31 2022

web title teacher beep 3 actividades pdf free static diabetesselfmanagement com created date 9 1 2023 1 19 49 am

**beep 3 teacher s resource book pdf scribd** - Aug 14 2023

web beep 3 teacher s resource book copia free download as pdf file pdf text file txt or read online for free tema verano

**beep richmond** - Apr 10 2023

web teacher beep 3 actividades 3 3 the teacher s book is accompanied by a dvd rom with tests in both pdf and editable word format along with a series of teacher training videos there is also additional photocopiable material in the teacher s book with a focus on material for the speaking test waseca reading program macmillan

*teacher beep 3 actividades* - Jan 27 2022

web this extraordinary book aptly titled teacher beep 3 actividades pdf published by a very acclaimed author immerses readers in a captivating exploration of the significance of language and its profound impact on our existence

**download solutions kale polis l origine di un mythos** - Nov 02 2022

web kale polis l origine di un mythos discussione del progetto di legge per la liquidazione dell asse ecclesiastico tornate dal 5 al 28 luglio 1867 jul 09 2021 analyse de l origine de tous les cultes par le citoyen d et de l abrégé qu il a donné de cet ouvrage

**kalé polis l origine di un mythos bookshop** - Apr 07 2023

web un professore universitario in congedo mario giuffrida casualmente scopre un antico manoscritto dove vi erano state trascritte le gesta di leonidas e antinea durante gli eventi accaduti nel 708 a c nella spedizione che part da

**kalé polis l origine di un mythos italian edition kindle edition** - Mar 06 2023

web kalé polis l origine di un mythos italian edition ebook grasso angelo maria amazon com au kindle store

**buy kalé polis l origine di un mythos book online at low prices** - May 08 2023

web amazon in buy kalé polis l origine di un mythos book online at best prices in india on amazon in read kalé polis l origine di un mythos book reviews author details and more at amazon in free delivery on qualified orders

**kalé polis l origine di un mythos amazon singapore** - Oct 13 2023

web hello sign in account lists returns orders cart

**sinopsis story of kale film yang dibintangi ardhito pramono** - Mar 26 2022

web oct 26 2020 suara com film story of kale yang dibintangi oleh ardhito pramono tayang mulai hari jumat 23 10 2020 di bioskop online bagaimana sinopsis story of kale ini simak penjelasannya berikut story of kale when someone s in love ini merupakan spin off dari film nanti kita cerita tentang hari ini nkcthi tahun 2020

*kalé polis l origine di un mythos by angelo maria grasso* - Jan 04 2023

web kalé polis ahriman il nero paranoico maestro dell occulto nel 2013 pur di trovare ci che brama capace di sopprimere uomini di distruggere il vulcano o l intera sicilia se occorre un professore universitario in congedo mario giuffrida casualmente scopre un antico manoscritto dove vi erano state trascritte le gesta di leonidas e

*kalé polis l origine di un mythos paperback 23 april 2018* - Jul 10 2023

web buy kalé polis l origine di un mythos by grasso angelo maria online on amazon ae at best prices fast and free shipping free returns cash on delivery available on eligible purchase

*kalé polis l origine di un mythos italian edition abebooks* - Dec 03 2022

web un professore universitario in congedo mario giuffrida casualmente scopre un antico manoscritto dove vi erano state trascritte le gesta di leonidas e antinea durante gli eventi accaduti nel 708 a c nella spedizione che partì da

**kalé polis l origine di un mythos amazon com au** - Sep 12 2023

web kalé polis l origine di un mythos grasso angelo maria amazon com au books

where did kale come from and why you shouldn t it to your - May 28 2022

web according to baby name hub 539 babies in the us were named kale 2009 martha stewart published a recipe for kale slaw 2010 vegetarian times publishes a recipe for crispy kale leaves 2010 the kale salad at northern spy in new york city inspires a new york times kale salad recipe 2011 gwenyth paltrow makes kale chips on ellen 2012

kalé polis l origine di un mythos by angelo maria grasso - Aug 11 2023

web kalé polis l origine di un mythos by angelo maria grasso un antico manoscritto dove vi erano state trascritte le gesta di leonidas e antinea durante gli eventi accaduti nel 708 a c nella spedizione che partì da naxos per fondare una colonia ellena kallipolis tra quelle righe però si cela l ubicazione di un luogo

**kale polis l origine di un mythos pdf uniport edu** - Oct 01 2022

web apr 4 2023 kale polis l origine di un mythos 2 9 downloaded from uniport edu ng on april 4 2023 by guest cultures and its role in the foundation of the indo iranian peoples gods of ancient greece jan n bremmer 2010 07 30

**kale polis l origine di un mythos pantera adecco** - Aug 31 2022

web kale polis l origine di un mythos 1 kale polis l origine di un mythos statues and cities guida artistica d italia abruzzo molise campania puglia basilicata calabria sicilia sardegna national union catalog città da scoprire italia meridionale e insulare o d v traditions of theology hesperia 5 ristoranti in viaggio mediapolis storia

*kalé polis l origine di un mythos italian edition kindle edition* - Jun 09 2023

web apr 22 2018 kalé polis l origine di un mythos italian edition kindle edition by grasso angelo maria download it once and read it on your kindle device pc phones or tablets use features like bookmarks note taking and highlighting while reading

kalé polis l origine di un mythos italian edition

**10 makna story of kale belajar memahami diri sendiri** - Apr 26 2022

web oct 30 2020 8 toxic relationship inti dari film story of kale kamu diajarkan untuk memahami seperti apa itu hubungan yang sehat apa pentingnya menjadi diri sendiri dan menghargai satu sama lain menghargai mimpi masing masing dan mendukung satu sama lain adalah dewasa yang sebenarnya 9

*kale polis l origine di un mythos copy uniport edu* - Jul 30 2022

web jun 16 2023 kale polis l origine di un mythos 2 10 downloaded from uniport edu ng on june 16 2023 by guest the origin of the indo iranians elena efimovna kuz'mina 2007 here then is the fruit of elena kuz mina s life long quest for the indo iranians already its predecessor otkuda prishli indoarii published in 1994 was considered the

*kalé polis l origine di un mythos paperback barnes noble* - Feb 05 2023

web apr 23 2018 ahriman il nero paranoico maestro dell occulto nel 2013 pur di trovare ciò che brama è capace di sopprimere uomini di distruggere il

[kale polis l origine di un mythos copy uniport edu](#) - Jun 28 2022

web aug 20 2023 getting this info get the kale polis l origine di un mythos associate that we meet the expense of here and check out the link you could buy guide kale polis l origine di un mythos or acquire it as soon as feasible you could speedily download this kale polis l origine di un mythos after getting deal so later than you require the

**kale polis l origine di un mythos uniport edu** - Feb 22 2022

web apr 20 2023 kale polis l origine di un mythos 1 8 downloaded from uniport edu ng on april 20 2023 by guest kale polis l origine di un mythos getting the books kale polis l origine di un mythos now is not type of challenging means you could not lonesome going following book store or library or borrowing from your friends to contact them this

**historical atlas of north america the penguin hist download** - Jul 02 2022

web historical atlas of north america the penguin hist 1 historical atlas of north america the penguin hist historical atlas of native americans the naval institute historical atlas of the u s navy historical atlas of the united states america discovered united states history atlas the routledge historical atlas of women in america

**historical atlas of north america the penguin hist atlas** - Oct 05 2022

web buy historical atlas of north america the penguin hist atlas paperback book by eric homberger from as low as 4 09

**historical atlas of north america the penguin hist atlas** - Mar 30 2022

web uses maps text and illustrations to present the history of north america from the first settlers to cross the bering straits to the spread of american culture in the 1990s

*historical atlas of north america the penguin hist atlas open* - May 12 2023

web sep 1 1995 historical atlas of north america the penguin hist atlas by eric homberger september 1 1995 penguin non classics edition in english

[historical atlas of north america the penguin hist atlas](#) - Jun 13 2023

web sep 1 1995 historical atlas of north america the penguin hist atlas homberger eric on amazon com free shipping on qualifying offers historical atlas of north america the penguin hist atlas

[historical atlas of north america the penguin hist atlas](#) - Aug 15 2023

web sep 1 1995 historical atlas of north america the penguin hist atlas paperback september 1 1995 by eric homberger author 4 5 4 5 out of 5 stars 9 ratings

[the penguin atlas of world history wikipedia](#) - Sep 04 2022

web 978 0 14 101263 6 the penguin atlas of world history is a two volume paperback sized historical atlas first published by

penguin books in 1974 with the latest edition published in 2004 1 it was translated from a german atlas dtv atlas weltgeschichte de by hermann kinder and werner hilgemann de originally published by deutsche  
[the penguin atlas of north american history to 1870 goodreads](#) - Feb 09 2023

web the penguin atlas of north american history to 1870 colin mcevedy 4 26 35 ratings3 reviews traces the history of north america from the first appearance of man to 1870 with maps showing the development of native civilization the arrival of european settlers and the formative years of the u s genres history atlases geography reference american  
*historical atlas of north america the penguin hist copy* - Apr 30 2022

web a historical atlas of north america before columbus prc publishing designed for all libraries this large format full color atlas is an authoritative guide to the history of the united states

**historical atlas of north america the penguin hist atlas eric** - Jan 28 2022

web historical atlas of north america the penguin hist atlas eric homberger a treatise on atmospherical electricity including lightning rods and paragreles john murray synopsis of psychiatry behavioral sciences clinical psychiatry harold i sadock benjamin j kaplan the north western at work a portrait of the lnwr r  
*historical atlas of north america the penguin hist atlas* - Dec 07 2022

web sep 1 1995 uses maps text and illustrations to present the history of north america from the first settlers to cross the bering straits to the spread of american culture in the 1990s

*historical atlas of north america the penguin hist atlas eric* - Dec 27 2021

web historical atlas of north america the penguin hist atlas eric homberger the history of israel translated from the german volume 7 heinrich ewald famine in tudor and stuart england andrew b appleby what a young woman ought to know wood allen mary black pine h j

[historical atlas of north america the penguin hist atlas](#) - Mar 10 2023

web this atlas examines the history of north america s three principal nations from their colonial origins to the formation of nafta it shows where their peoples came from the networks of trade and communications that developed the rise of the u s to superpower status and the impact of two world wars their relationship to each other and their

**hist atlas penguin random house** - Jan 08 2023

web buy books online and find book series such as hist atlas on penguinrandomhouse com fiction by arab and arab american authors books that make great graduation gifts the penguin historical atlas of ancient egypt

**the penguin historical atlas of north america by homberger eric** - Nov 06 2022

web jul 27 1995 this atlas examines the history of north america s three principle nations the u s canada and mexico from their colonial origins to the formations of the north american free trade association the survey follows the rise of the u s to

superpower status and assesses the

the penguin historical atlas of the vikings hist atlas - Jun 01 2022

web sep 1 1995 an historical atlas is very useful if a reader wants to keep track of all viking raids and pillages around the coasts of northern europe but also as far today russia and central asia vikings gave the name to russia being rus the name finns gave to swedish vikings in that area which means oarsmen

*historical atlas of north america the penguin hist atlas eric* - Feb 26 2022

web mar 1 2022 historical atlas of north america the penguin hist atlas eric homberger 404534 the sin of saints benevolence blood by lauren m leasure

the penguin historical atlas of north america homberger eric - Jul 14 2023

web the penguin historical atlas of north america by homberger eric publication date 1995 topics north america history maps north america history chronology north america history north america publisher

*the penguin atlas of north american history to 1870 hist atlas* - Apr 11 2023

web aug 2 1988 traces the history of north america from the first appearance of man to 1870 with maps showing the development of native civilization the arrival of european settlers and the formative years of the u s

historical atlas of north america the penguin hist j m roberts - Aug 03 2022

web and around the huge pacific basin the penguin historical atlas of the pacific is an essential acquisition for schools libraries and students of asian and american history the new penguin atlas of medieval history colin mcevedy 1992 11 03 this is a revised edition of the penguin atlas of medieval history the divided ground alan taylor