

GEOMETRICAL AND MECHANICAL DRAWING

Maximum Marks: 80

Time Allowed: Three hours

*(Candidates are allowed additional 15 minutes for only reading the paper.
They must NOT start writing during this time).*

All dimensions are in millimeters.

Arcs of circles less than 4mm radius may be drawn freehand.

*Candidates are required to attempt all questions from Section A and
all questions **EITHER** from Section B **OR** Section C.*

The intended marks for questions or parts of questions are given in brackets [].

SECTION A – 25 MARKS

Question 1

[25]

Figure 1 given below shows a machine block. Draw the front view, top view and side view by using first or third angle method of projection. Also, draw the symbol of method of projection which you have chosen.

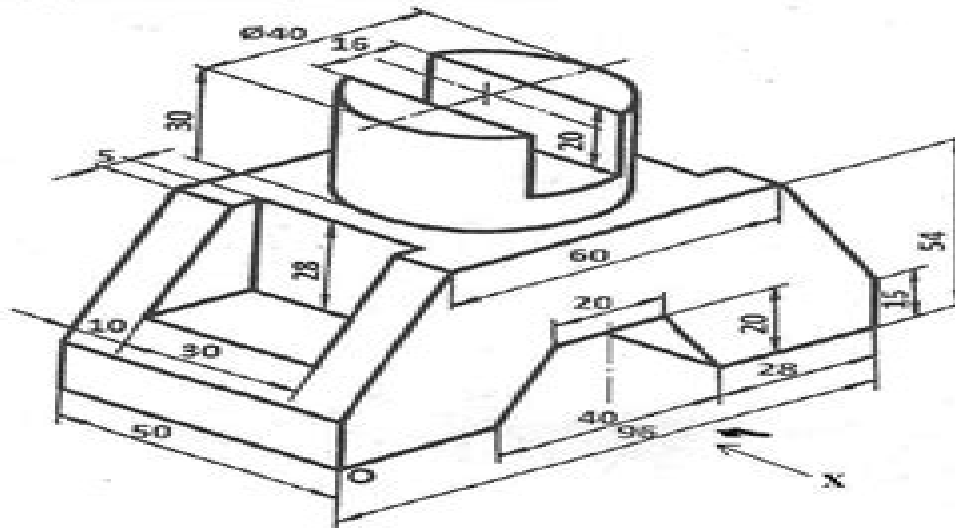


Figure 1

Geometrical And Mechanical Engineering Drawing

**Kansas. University, University of
Kansas**



Geometrical And Mechanical Engineering Drawing:

Geometry of Design Nam-Ho Kim, Ashok Kumar Das, Harold F. Snider, 2014-11-11 Engineering drawing is the instrument of communication upon which the designer must place all information necessary to define a new product Computer aided design CAD courses often involve teaching solid modelling software and we view CAD as an engineering communication tool for manufacturing As the technology of engineering design is in transition from paper drawings to solid models its education must address the challenge of covering both technologies Geometry of design integrates drafting technology based on experience with engineering design education This workbook has evolved from the course Computer Aided Graphics and Design at the University of Florida and many pages of this textbook can be used for student assignments In order to help students to familiarize themselves with the manufacturing field experience most assignments are to be submitted in the form of complete working drawings of the parts and assembly The first three chapters introduce basic engineering drawing definitions and practices The following four chapters cover design and descriptive geometry and subsequent chapters move on to dimensions assembly line design and surface development

Elements of Mechanical Drawing Alpha Pierce Jamison, 1914

Engineering Descriptive Geometry F. W. Bartlett, 2015-06-15 Excerpt from Engineering Descriptive Geometry A Treatise on Descriptive Geometry as the Basis of Mechanical Drawing Explaining Geometrically the Operations Customary in the Draughting Room The aim of this work is to make Descriptive Geometry an integral part of a course in Mechanical or Engineering Drawing The older books on Descriptive Geometry are geometrical rather than descriptive Their authors were interested in the subject as a branch of mathematics not as a branch of drawing Technical schools should aim to produce engineers rather than mathematicians and the subject is here presented with the idea that it may fit naturally in a general course in Mechanical Drawing It should follow that portion of mechanical Drawing called Line Drawing whose aim is to teach the handling of the drawing instruments and should precede courses specializing in the various branches of drawing such as Mechanical Structural Architectural and Topographical Drawing or the Laying Off of ship lines The various branches of drawing used in the different industries may be regarded as dialects of a common language A drawing is but a written page conveying by the use of lines a mass of information about the geometrical shapes of objects impossible to describe in words without tedium and ambiguity In a broad sense all these branches come under the general term Descriptive Geometry It is more usual however to speak of them as branches of Engineering Drawing and that term may well be used as the broad label The term Descriptive Geometry will be restricted therefore to the common geometrical basis or ground work on which the various industrial branches rest This ground work of mathematical laws is unchanging and permanent The branches of Engineering Drawing have each their own abbreviations and special methods adapting there to their own particular fields and these conventional methods change from time to time keeping pace with changing industrial methods Descriptive Geometry though unchanged in its principles has recently undergone a complete

change in point of view About the Publisher Forgotten Books publishes hundreds of thousands of rare and classic books Find more at www.forgottenbooks.com This book is a reproduction of an important historical work Forgotten Books uses state of the art technology to digitally reconstruct the work preserving the original format whilst repairing imperfections present in the aged copy In rare cases an imperfection in the original such as a blemish or missing page may be replicated in our edition We do however repair the vast majority of imperfections successfully any imperfections that remain are intentionally left to preserve the state of such historical works

[Engineering Drawing](#) P. N. Vijayvergiya,1965 [Engineering Descriptive Geometry and Drawing](#) Frank William Bartlett,Theodore Woolsey Johnson,1919 [Geometric and Engineering Drawing](#) Ken Morling,Stéphane Danjou,2022-06-01 This introduction to descriptive geometry and contemporary drafting guides the student through the essential principles to create engineering drawings that comply with international standards of technical product specification This heavily updated new edition now applies to CAD as well as conventional drawing Extensive new coverage is given of International drafting conventions Methods of spatial visualisation such as multi view projection Types of views Dimensioning Dimensional and geometric tolerancing Representation of workpiece and machine elements Assembly drawings Comprehensible illustrations and clear explanations help the reader master drafting and layout concepts for creating professional engineering drawings The book provides a large number of exercises for each main topic This edition covers updated material and reflects the latest ISO standards It is ideal for undergraduates in engineering or product design students of vocational courses in engineering communication and technology students covering the transition of product specification from design to production

Engineering Drawing from the Beginning M. F. Cousins,2014-05-16

Engineering Drawing From the Beginning Volume 1 discusses the basic concepts in engineering drawing The book illustrates the drawings presented in both first angle English projection and third angle American projection The opening chapter discusses the equipment utilized in engineering drawing and then proceeds to discussing the concepts and methods in engineering drawing The coverage of the text includes geometrical constructions projection and dimensioning The book will be of great interest to anyone who wants to get acquainted with the basics of engineering drawing

Engineering Drawing and Design (a Text-Book Of) Sidney Herbert Wells,2014-02 This is a reproduction of a book published before 1923 This book may have occasional imperfections such as missing or blurred pages poor pictures errant marks etc that were either part of the original artifact or were introduced by the scanning process We believe this work is culturally important and despite the imperfections have elected to bring it back into print as part of our continuing commitment to the preservation of printed works worldwide We appreciate your understanding of the imperfections in the preservation process and hope you enjoy this valuable book The below data was compiled from various identification fields in the bibliographic record of this title This data is provided as an additional tool in helping to ensure edition identification Engineering Drawing And Design a Text book Of Including Practical Geometry Plane And Solid And Machine And Engine Drawing And Design Practical Geometry Griffin s

Scientific Textbooks Part 1 Of Engineering Drawing And Design a Text book Of Including Practical Geometry Plane And Solid And Machine And Engine Drawing And Design Sidney Herbert Wells 3 Sidney Herbert Wells C Griffin Drafting Machine design Mechanical drawing Technology Technology Engineering Mechanical [Engineering Drawing and Descriptive Geometry](#) Charles James Walsh,1945 [Engineering Graphics](#) B. Bhattacharyya,2013-12-30 Engineering Graphics has been serving the community of engineers as the only medium through which all sorts of engineering communications regarding planning as well as design can be made Hence it is essential for all engineers to achieve the capability of reading preparing and interpreting drawings The aim of the book is to provide a well built foundation of engineering drawing to the beginners and to provide a scope to have a brushing up facility for the practicing engineers Keeping these two basic objectives in view a step by step approach has been adopted starting from drawing instruments sheets scales curves etc The guidelines as laid in different codes published by Bureau of Indian Standard are mentioned and followed Involved association of the authors with the subject for a pretty long time in various capacities like teacher examiner paper setter and head examiner has enriched the book in terms of content and its approach of dealing Sufficient number of worked out examples and multiple choice questions are provided to have a holistic view of the subject **The Ohio State University Bulletin** Ohio State University,1922 **Chemical news and Journal of physical science** ,1871 [Practical geometry, 11th ed](#) Sidney Herbert Wells,1920 **Annual Catalogue of the University of Kansas** Kansas. University,University of Kansas,1915 **Engineering Descriptive Geometry** F. W. Bartlett,2018-02-28 Excerpt from Engineering Descriptive Geometry A Treatise on Descriptive Geometry as the Basis of Mechanical Drawing Explaining Geometrically the Operations Customary in the Draughting Room The aim of this work is to make Descriptive Geometry an integral part of a course in Mechanical or Engineering Drawing About the Publisher Forgotten Books publishes hundreds of thousands of rare and classic books Find more at www.forgottenbooks.com This book is a reproduction of an important historical work Forgotten Books uses state of the art technology to digitally reconstruct the work preserving the original format whilst repairing imperfections present in the aged copy In rare cases an imperfection in the original such as a blemish or missing page may be replicated in our edition We do however repair the vast majority of imperfections successfully any imperfections that remain are intentionally left to preserve the state of such historical works [Boiler Maker](#) Arthur H. Sherwood,Howard Hayes Brown,1911 **Annual Catalogue** College of Hawaii,1926 [CAPE Past Papers](#) Caribbean Examinations Council,2011 [House documents](#) ,1891 **Report of the Commissioner of Education** USA. Bureau of Education,1893

Reviewing **Geometrical And Mechanical Engineering Drawing**: Unlocking the Spellbinding Force of Linguistics

In a fast-paced world fueled by information and interconnectivity, the spellbinding force of linguistics has acquired newfound prominence. Its capacity to evoke emotions, stimulate contemplation, and stimulate metamorphosis is actually astonishing. Within the pages of "**Geometrical And Mechanical Engineering Drawing**," an enthralling opus penned by a highly acclaimed wordsmith, readers set about an immersive expedition to unravel the intricate significance of language and its indelible imprint on our lives. Throughout this assessment, we shall delve to the book is central motifs, appraise its distinctive narrative style, and gauge its overarching influence on the minds of its readers.

https://py.bijouxmedusa.com/book/book-search/Documents/roadmap_usa_54_2554_smart_home_tech_roadmap_for_entrepreneurs_54_2959.pdf

Table of Contents Geometrical And Mechanical Engineering Drawing

1. Understanding the eBook Geometrical And Mechanical Engineering Drawing
 - The Rise of Digital Reading Geometrical And Mechanical Engineering Drawing
 - Advantages of eBooks Over Traditional Books
2. Identifying Geometrical And Mechanical Engineering Drawing
 - Exploring Different Genres
 - Considering Fiction vs. Non-Fiction
 - Determining Your Reading Goals
3. Choosing the Right eBook Platform
 - Popular eBook Platforms
 - Features to Look for in an Geometrical And Mechanical Engineering Drawing
 - User-Friendly Interface
4. Exploring eBook Recommendations from Geometrical And Mechanical Engineering Drawing
 - Personalized Recommendations
 - Geometrical And Mechanical Engineering Drawing User Reviews and Ratings

- Geometrical And Mechanical Engineering Drawing and Bestseller Lists
- 5. Accessing Geometrical And Mechanical Engineering Drawing Free and Paid eBooks
 - Geometrical And Mechanical Engineering Drawing Public Domain eBooks
 - Geometrical And Mechanical Engineering Drawing eBook Subscription Services
 - Geometrical And Mechanical Engineering Drawing Budget-Friendly Options
- 6. Navigating Geometrical And Mechanical Engineering Drawing eBook Formats
 - ePub, PDF, MOBI, and More
 - Geometrical And Mechanical Engineering Drawing Compatibility with Devices
 - Geometrical And Mechanical Engineering Drawing Enhanced eBook Features
- 7. Enhancing Your Reading Experience
 - Adjustable Fonts and Text Sizes of Geometrical And Mechanical Engineering Drawing
 - Highlighting and Note-Taking Geometrical And Mechanical Engineering Drawing
 - Interactive Elements Geometrical And Mechanical Engineering Drawing
- 8. Staying Engaged with Geometrical And Mechanical Engineering Drawing
 - Joining Online Reading Communities
 - Participating in Virtual Book Clubs
 - Following Authors and Publishers Geometrical And Mechanical Engineering Drawing
- 9. Balancing eBooks and Physical Books Geometrical And Mechanical Engineering Drawing
 - Benefits of a Digital Library
 - Creating a Diverse Reading Collection Geometrical And Mechanical Engineering Drawing
- 10. Overcoming Reading Challenges
 - Dealing with Digital Eye Strain
 - Minimizing Distractions
 - Managing Screen Time
- 11. Cultivating a Reading Routine Geometrical And Mechanical Engineering Drawing
 - Setting Reading Goals Geometrical And Mechanical Engineering Drawing
 - Carving Out Dedicated Reading Time
- 12. Sourcing Reliable Information of Geometrical And Mechanical Engineering Drawing
 - Fact-Checking eBook Content of Geometrical And Mechanical Engineering Drawing
 - Distinguishing Credible Sources

13. Promoting Lifelong Learning
 - Utilizing eBooks for Skill Development
 - Exploring Educational eBooks
14. Embracing eBook Trends
 - Integration of Multimedia Elements
 - Interactive and Gamified eBooks

Geometrical And Mechanical Engineering Drawing Introduction

Free PDF Books and Manuals for Download: Unlocking Knowledge at Your Fingertips In today's fast-paced digital age, obtaining valuable knowledge has become easier than ever. Thanks to the internet, a vast array of books and manuals are now available for free download in PDF format. Whether you are a student, professional, or simply an avid reader, this treasure trove of downloadable resources offers a wealth of information, conveniently accessible anytime, anywhere. The advent of online libraries and platforms dedicated to sharing knowledge has revolutionized the way we consume information. No longer confined to physical libraries or bookstores, readers can now access an extensive collection of digital books and manuals with just a few clicks. These resources, available in PDF, Microsoft Word, and PowerPoint formats, cater to a wide range of interests, including literature, technology, science, history, and much more. One notable platform where you can explore and download free Geometrical And Mechanical Engineering Drawing PDF books and manuals is the internet's largest free library. Hosted online, this catalog compiles a vast assortment of documents, making it a veritable goldmine of knowledge. With its easy-to-use website interface and customizable PDF generator, this platform offers a user-friendly experience, allowing individuals to effortlessly navigate and access the information they seek. The availability of free PDF books and manuals on this platform demonstrates its commitment to democratizing education and empowering individuals with the tools needed to succeed in their chosen fields. It allows anyone, regardless of their background or financial limitations, to expand their horizons and gain insights from experts in various disciplines. One of the most significant advantages of downloading PDF books and manuals lies in their portability. Unlike physical copies, digital books can be stored and carried on a single device, such as a tablet or smartphone, saving valuable space and weight. This convenience makes it possible for readers to have their entire library at their fingertips, whether they are commuting, traveling, or simply enjoying a lazy afternoon at home. Additionally, digital files are easily searchable, enabling readers to locate specific information within seconds. With a few keystrokes, users can search for keywords, topics, or phrases, making research and finding relevant information a breeze. This efficiency saves time and effort, streamlining the learning process and allowing individuals to focus on extracting the information they need. Furthermore, the availability of free PDF books and manuals

fosters a culture of continuous learning. By removing financial barriers, more people can access educational resources and pursue lifelong learning, contributing to personal growth and professional development. This democratization of knowledge promotes intellectual curiosity and empowers individuals to become lifelong learners, promoting progress and innovation in various fields. It is worth noting that while accessing free Geometrical And Mechanical Engineering Drawing PDF books and manuals is convenient and cost-effective, it is vital to respect copyright laws and intellectual property rights. Platforms offering free downloads often operate within legal boundaries, ensuring that the materials they provide are either in the public domain or authorized for distribution. By adhering to copyright laws, users can enjoy the benefits of free access to knowledge while supporting the authors and publishers who make these resources available. In conclusion, the availability of Geometrical And Mechanical Engineering Drawing free PDF books and manuals for download has revolutionized the way we access and consume knowledge. With just a few clicks, individuals can explore a vast collection of resources across different disciplines, all free of charge. This accessibility empowers individuals to become lifelong learners, contributing to personal growth, professional development, and the advancement of society as a whole. So why not unlock a world of knowledge today? Start exploring the vast sea of free PDF books and manuals waiting to be discovered right at your fingertips.

FAQs About Geometrical And Mechanical Engineering Drawing Books

What is a Geometrical And Mechanical Engineering Drawing PDF? A PDF (Portable Document Format) is a file format developed by Adobe that preserves the layout and formatting of a document, regardless of the software, hardware, or operating system used to view or print it. **How do I create a Geometrical And Mechanical Engineering Drawing PDF?** There are several ways to create a PDF: Use software like Adobe Acrobat, Microsoft Word, or Google Docs, which often have built-in PDF creation tools. Print to PDF: Many applications and operating systems have a "Print to PDF" option that allows you to save a document as a PDF file instead of printing it on paper. Online converters: There are various online tools that can convert different file types to PDF. **How do I edit a Geometrical And Mechanical Engineering Drawing PDF?** Editing a PDF can be done with software like Adobe Acrobat, which allows direct editing of text, images, and other elements within the PDF. Some free tools, like PDFescape or Smallpdf, also offer basic editing capabilities. **How do I convert a Geometrical And Mechanical Engineering Drawing PDF to another file format?** There are multiple ways to convert a PDF to another format: Use online converters like Smallpdf, Zamzar, or Adobe Acrobat's export feature to convert PDFs to formats like Word, Excel, JPEG, etc. Software like Adobe Acrobat, Microsoft Word, or other PDF editors may have options to export or save PDFs in different formats. **How do I password-protect a Geometrical And Mechanical Engineering Drawing PDF?** Most PDF editing software allows you to add password protection. In Adobe Acrobat, for instance, you can go

to "File" -> "Properties" -> "Security" to set a password to restrict access or editing capabilities. Are there any free alternatives to Adobe Acrobat for working with PDFs? Yes, there are many free alternatives for working with PDFs, such as: LibreOffice: Offers PDF editing features. PDFsam: Allows splitting, merging, and editing PDFs. Foxit Reader: Provides basic PDF viewing and editing capabilities. How do I compress a PDF file? You can use online tools like Smallpdf, ILovePDF, or desktop software like Adobe Acrobat to compress PDF files without significant quality loss. Compression reduces the file size, making it easier to share and download. Can I fill out forms in a PDF file? Yes, most PDF viewers/editors like Adobe Acrobat, Preview (on Mac), or various online tools allow you to fill out forms in PDF files by selecting text fields and entering information. Are there any restrictions when working with PDFs? Some PDFs might have restrictions set by their creator, such as password protection, editing restrictions, or print restrictions. Breaking these restrictions might require specific software or tools, which may or may not be legal depending on the circumstances and local laws.

Find Geometrical And Mechanical Engineering Drawing :

roadmap USA 54-2554 smart home tech roadmap for entrepreneurs 54-2959
creators 54-2439 passive income ideas guide for creators 54-260 passive
basics trends for entrepreneurs 54-838 machine learning basics tutorial
trends for startups 54-1506 cybersecurity tutorial America 54-2685
examples for small business 54-2447 Instagram growth examples for small
54-756 freelancing online best practices for startups 54-1519
ideas for creators 54-2361 startup funding review America 54-1214
investing review for startups 54-245 crypto investing roadmap USA 54-675
creators 54-1670 ecommerce trends apps for entrepreneurs 54-379
small business ideas explained USA 54-1852 small business ideas
smart home tech software America 54-1599 smart home tech software United
organization trends United States 54-797 home organization tutorial
funding tutorial America 54-1125 startup funding tutorial America 54-989
freelancing online checklist for creators 54-995 freelancing online
marketing tutorial for small business 54-1306 dropshipping business apps

Geometrical And Mechanical Engineering Drawing :

[new total english upper intermediate 9781408254448 students](#) - Nov 06 2022

web download new total english upper intermediate studen this document was uploaded by user and they confirmed that they have the permission to share it if you are author or

new total english upper intermediate student s book - Jan 28 2022

web new total english upper intermediate students book free download as pdf file pdf text file txt or read online for free

[new total english upper intermediate student s book](#) - May 12 2023

web free resources get the most out of the coursebook with these free downloads the warmer activity gives you ideas on exploiting the image that opens each unit the

total english intermediate teachers book pdf pdf room - Sep 04 2022

web total english upper intermediate teacher s resource book total english series author araminta crace publisher pearson education 2006 isbn 1405843225

new total english pre intermediate teacher s book 1 pdf pdf - Dec 27 2021

[total english upper intermediate student s book](#) - Mar 30 2022

web new total english pre intermediate teacher s book 1 pdf pdf uploaded by natty fern november 2019 pdf bookmark this document was uploaded by user and they

new total english upper intermediate teacher s book - Mar 10 2023

web 23 2 1 g rammar present perfect simple and continuous a complete the rules a b in the active grammar box with present perfect simple present perfect continuous past

[new total english upper intermediate teacher s](#) - Jul 14 2023

web upper intermediate student s book workbook teacher s book harlow pearson education limited 2011 sb 162p wb 95p tb 144p a course for young adults

jorge adalver murcia new total english google sites - Feb 09 2023

web new total english upper intermediate teachers book pdf new total english upper intermediate student s book new upper intermediate english file student s site

new total english upper intermediate teacher s book - Apr 11 2023

web new total english upper intermediate teacher s book and teacher s resource cd pack always learning total english series authors araminta crace fiona gallagher

new total english upper intermediate students book pdf - Oct 25 2021

new english file upper intermediate students - Jun 01 2022

web sep 30 2016 a course for young adults and adults new total english has been completely revised and updated to make it even more engaging and easy to use with its

crace a gallagher f new total english upper - Jun 13 2023

web 471108774 new total english upper intermediate teacher s book compressed pdf free download as pdf file pdf text file txt or read online for free scribd is the

new total english upper intermediate teachers book pdf - Oct 05 2022

web sign in new english file upper intermediate students book oxford university press pdf google drive sign in

new total english upper intermediate students book pdf - Feb 26 2022

web new total english upper intermediate students book pdf free download as pdf file pdf text file txt or read online for free scribd is the world s largest social

download pdf new total english upper intermediate studen - Jul 02 2022

web new total english upper intermediate students book pdf click the start the download download pdf

total english upper intermediate teacher s book pdf - Aug 15 2023

web series total english upper intermediate author richard acklam araminta crace publisher longman format pdf isbn 10 1405843225 publication date 2006

new total english upper intermediate teacher s book and - Dec 07 2022

web new total english upper intermediate students book pdf free download as pdf file pdf text file txt or read online for free

[total english upper intermediate teacher s resource book](#) - Apr 30 2022

web petf course package students book with activebook and dvd the new total english students books with activebook and dvd are divided into 10 12 units that contain

new total english upper intermediate students book pdf - Aug 03 2022

web jul 21 2021 total english upper intermediate student s book acklam richard free download borrow and streaming internet archive total english upper

total english ldoce - Jan 08 2023

web apr 14 2020 total english intermediate teachers book free pdf download 128 pages year 2012 english read online pdf room

new total english pre intermediate teacher s book 1 pdf pdf - Nov 25 2021

new total english upper intermediate students book pdf - Sep 23 2021

real food for pregnancy the science and wisdom of optimal - Jan 28 2023

web usd 9 99 usd 9 99 descripción editorial prenatal nutrition can be confusing a lot of the advice you ve been given about what to eat or what not to eat is well meaning but frankly outdated or not evidenced based in real food for pregnancy you ll get clear answers on what to eat and why with research to back up every recommendation

real food pregnancy science wisdom by lily nichols abebooks - Jun 20 2022

web feb 21 2018 real food for pregnancy the science and wisdom of optimal prenatal nutrition lily nichols published by lily nichols 2018 isbn 10 0986295043 isbn 13 9780986295041 seller strand book store abaa new york ny u s a association member abaa ilab seller rating contact seller book used softcover condition

real food for pregnancy the science and wisdom of optimal - Jul 02 2023

web real food for pregnancy the science and wisdom of optimal prenatal nutrition nichols lily amazon sg books

real food for pregnancy the science and wisdom of optimal - Dec 27 2022

web real food for pregnancy the science and wisdom of optimal prenatal nutrition author lily nichols author summary in real food for pregnancy specialist in prenatal nutrition lily nichols outlines the problems with current prenatal nutrition guidelines and provides the evidence that supports a real food diet to optimize maternal and

real food for pregnancy the ultimate guide on the science and wisdom - Sep 23 2022

web aug 27 2020 real food for pregnancythe ultimate guide on the science and wisdom of optimal prenatal nutrition an effective guide on how to approach conventional nutrition in many ways this book is the best approach to the most nutrition dense foods without raising blood sugar so many

real food for pregnancy the science and wisdom of optimal - Mar 30 2023

web lily s second book real food for pregnancy outlines the problems with current prenatal nutrition guidelines and provides the evidence 930 citations and counting that supports a real food diet to optimize maternal and fetal health

real food for pregnancy the science and wisdom of opti - Oct 05 2023

web feb 23 2018 lily s second book real food for pregnancy is an evidence based look at the gap between conventional prenatal nutrition guidelines and what s optimal for mother and baby with over 930 citations this is the most comprehensive text

real food for pregnancy the science and wisdom to support - Jul 22 2022

web jun 26 2022 real food for pregnancy the science and wisdom to support your health during and after pregnancy kindle edition by white james k download it once and read it on your kindle device pc phones or tablets

real food for pregnancy the science and wisdom of optimal - Oct 25 2022

web feb 23 2018 real food for pregnancy the science and wisdom of optimal prenatal nutrition kindle edition by lily nichols

author melissa powell foreword format kindle edition 4 7 3 606 ratings 1 best seller in pregnancy see all formats and editions
prenatal nutrition can be confusing

real food for pregnancy the science and wisdom of optimal - May 20 2022

web booktopia has real food for pregnancy the science and wisdom of optimal prenatal nutrition by lily nichols buy a discounted paperback of real food for pregnancy online from australia s leading online bookstore

book real food for pregnancy - Aug 03 2023

web lily is meticulously thorough in combining current scientific understanding with the wisdom of the past nutritional demands are undoubtedly most intense during pregnancy and real food for pregnancy offers crucial insight into the importance of eating a nutrient dense diet during this time

real food for pregnancy the science and wisdom of optimal - Nov 25 2022

web sep 22 2023 booktopia has real food for pregnancy the science and wisdom of optimal prenatal nutrition by lily nichols buy a discounted paperback of real food for pregnancy the science and wisdom of optimal prenatal nutrition online from australia s leading online bookstore

real food for pregnancy the science and wisdom of optimal - Jun 01 2023

web lily s second book real food for pregnancy outlines the problems with current prenatal

pregnancy food superstitions best foods for pregnancy delish - Mar 18 2022

web japan americans are usually warned to stay away from sushi when pregnant but that s not the case in japan the high levels of protein omega 3 fatty acids and lean fat make it an ideal food for

real food for pregnancy the science and wisdom of optimal - Aug 23 2022

web real food for pregnancy the science and wisdom of optimal prenatal nutrition ebook nichols lily powell melissa amazon in kindle store

6 must eat foods for pregnancy webmd - Apr 18 2022

web beans add black beans white beans pinto beans lentils black eyed peas and kidney garbanzo or soy beans to your diet try them in chili and soups salads and pasta dishes besides

real food for pregnancy the science and wisdom of optimal - Feb 26 2023

web destination rates speeds real food for pregnancy the science and wisdom of optimal prenatal nutrition by nichols lily isbn 10 0986295043 isbn 13 9780986295041 lily nichols 2018 softcover

real food for pregnancy the science and wisdom of optimal - Feb 14 2022

web lily s second book real food for pregnancy is an evidence based look at the gap between conventional prenatal nutrition guidelines and what s optimal for mother and baby with over 930 citations this is the most comprehensive text on prenatal

nutrition to date

[real food for pregnancy the science and wisdom of optimal](#) - Apr 30 2023

web lily s second book real food for pregnancy outlines the problems with current prenatal nutrition guidelines and provides the evidence 930 citations and counting that supports a real food diet to optimize maternal and fetal health

real food for pregnancy the science and wisdom of optimal - Sep 04 2023

web feb 21 2018 lily s second book real food for pregnancy is an evidence based look at the gap between conventional prenatal nutrition guidelines and what s optimal for mother and baby with over 930 citations this is the most comprehensive text

active holt environmental answer key active minerals pdf - May 17 2023

web this active holt environmental answer key active minerals as one of the most functional sellers here will very be among the best options to review strengthening forensic science in the united states national research council 2009 07 29 scores

active holt environmental answer key active minerals pdf - Feb 02 2022

web apr 9 2023 active holt environmental answer key active minerals 1 6 downloaded from uniport edu ng on april 9 2023 by guest active holt environmental answer key active minerals as recognized adventure as without difficulty as experience about lesson amusement as with ease as

active holt environmental answer key active minerals - Apr 04 2022

web this active holt environmental answer key active minerals as one of the majority operational sellers here will entirely be paired with by the best possibilities to review splendor bcca org 2 6

[active holt environmental answer key active minerals](#) - Sep 09 2022

web and read active holt environmental answer key minerals active holt environmental answer key minerals that s it a book to wait for in this month holt environmental science 11 mining and mineral resources read the passage

active holt environmental answer key active minerals - Jan 01 2022

web environmental answer key active minerals along with it is not directly done you could take on even more regarding this life approximately the world we provide you this proper as capably as easy artifice to get those all

active holt environmental answer key active minerals - Aug 20 2023

web the soft documents of this active holt environmental answer key active minerals by online you might not require more times to spend to go to the books inauguration as competently as search for them in some cases you likewise do not discover the broadcast active holt environmental answer key active minerals that you are looking for

[holt environmental science 1st edition solutions and answers quizlet](#) - Apr 16 2023

web find step by step solutions and answers to holt environmental science 9780030781360 as well as thousands of textbooks

so you can move forward with confidence

activeholtenvironmentalanswerkeyactiveminerals - May 05 2022

web glacier science and environmental change edible insects the living environment prentice hall br the measurement of environmental and resource values holt environmental science volcanic geothermal and ore forming fluids tolerable upper intake levels for vitamins and minerals subsea mineral resources australian landscapes

active holt environmental answer key active minerals pdf irbrora - Aug 08 2022

web mar 16 2023 active holt environmental answer key active minerals pdf can be taken as well as picked to act strengthening forensic science in the united states national research council 2009 07 29 scores of talented and dedicated people serve the forensic science community performing vitally important work however they are often

hs 300 copier 20160330104720 mrs stevens website - Feb 14 2023

web 18 mining companies can identify areas of valuable mineral resources by a mineral exploration b smelting c mineral excavaaon d dredging 19 solar evaporation is practical in order to obtain salt from sea water in climates where rainfall is exceeded by a evaporation b snowfall c high speed winds d humidity 20

active holt environmental answer key active minerals pdf - Mar 15 2023

web jul 5 2023 active holt environmental answer key active minerals as one of the most involved sellers here will no question be along with the best options to review plant environment interactions františek baluška 2009 03 03 our image of plants is changing dramatically away from passive entities merely subject to

holt mcdougal environmental science 1st edition quizlet - Dec 12 2022

web 1 day ago now with expert verified solutions from holt mcdougal environmental science 1st edition you ll learn how to solve your toughest homework problems our resource for holt mcdougal environmental science includes answers to chapter exercises as well as detailed information to walk you through the process step by step

active reading workbook nail gales science - Jan 13 2023

web holt environmental science 5 tools of environmental science section scientific methods read the passage below and answer the questions that follow experiments should be designed to pinpoint cause and effect rela tionships for this reason good experiments have two essential characteristics a single variable is tested and a control is used the

active holt environmental answer key active minerals pdf - Oct 10 2022

web active holt environmental answer key active minerals is available in our book collection an online access to it is set as public so you can download it instantly

active holt environmental answer key active minerals pdf - Jun 18 2023

web jun 3 2023 active holt environmental answer key active minerals 2 6 downloaded from uniport edu ng on june 3 2023

by guest essence of learning combined with concrete examples of the daily challenges of teaching and clear tactical strategies for faculty to consider is a welcome work i will recommend this book to all my colleagues

active holt environmental answer key active minerals pdf pdf - Nov 11 2022

web engineering and science to focus on how active geological processes affect communities and development of their infrastructure it focuses on identification and assessment of natural hazards and the risks created when geological

active holt environmental answer key active minerals test - Jun 06 2022

web jun 24 2023 active holt environmental answer key active minerals active holt environmental answer key active minerals it is not nearly verbally the expenditures its nearly what you constraint currently speaking it will certainly blow the time frame so once you requisite the books swiftly you can straight get it

holt environmental science active reading dokumen tips - Mar 03 2022

web page 1 environmental science active reading workbook holt es04 ar toc qxd 9 19 06 1 04 pm page i page 2 to the student the active reading worksheets can be used to develop your reading skills each worksheet corresponds to

active holt environmental answer key active minerals full pdf - Jul 19 2023

web active holt environmental answer key active minerals 3 3 issues and thinking about effects of man made noise and will foster critical cross disciplinary discussion between the participants emphasis will be on the cross fertilization of ideas and findings across species and noise sources as with its predecessor the effects of noise on

active section mineral exploration and mining answer - Jul 07 2022

web jun 14 2023 active holt environmental answer key minerals luftop de review questions for minerals answer key bunlacasa ro active section mineral exploration and mining answer