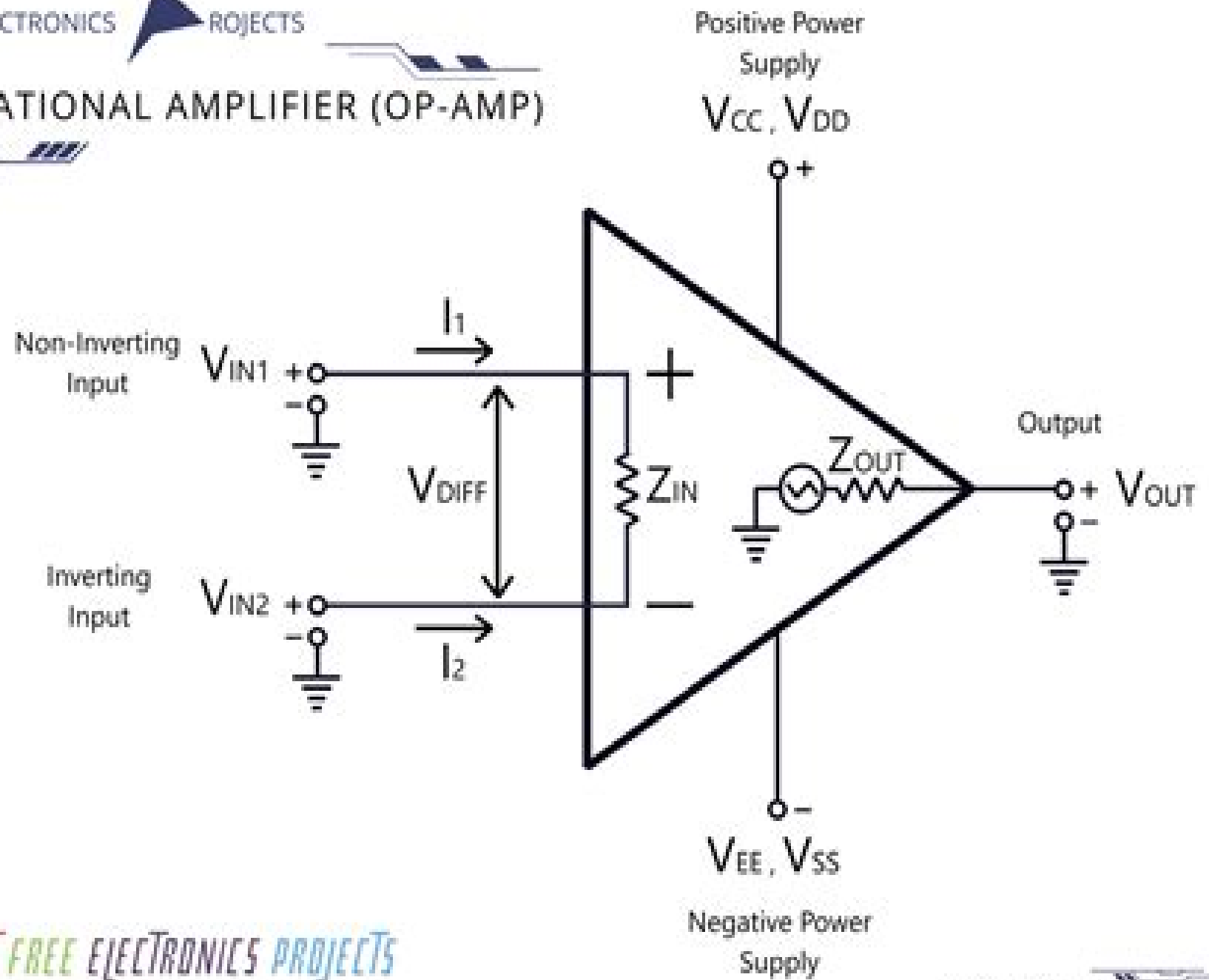


# OPERATIONAL AMPLIFIER (OP-AMP)



# High Voltage Power Operational Amplifiers

**M Walker**

A decorative graphic element consisting of a light blue horizontal bar with a rounded right end, and a red-to-white gradient semi-circle overlapping the right side of the bar.

## **High Voltage Power Operational Amplifiers:**

*Frequency Compensation Techniques for Low-Power Operational Amplifiers* Rudy G.H. Eschauzier, Johan Huijsing, 2013-04-17 *Frequency Compensation Techniques for Low Power Operational Amplifiers* is intended for professional designers of integrated amplifiers emphasizing low voltage and low power solutions The book bridges the gap between the professional designer's needs and available techniques for frequency compensation It does so by explaining existing techniques and introducing several new techniques including Hybrid Nested Miller compensation Multipath Miller Zero cancellation and Multipath Conditionally Stable compensation All compensation techniques are treated in a stage number based order progressing from a single transistor to circuits with six stages and more Apart from discussing the mathematical basis of the compensation methods the book provides the reader with the factual information that is required for practicing the design of integrated feedback amplifiers and many worked out examples What is more many bipolar and CMOS operational amplifier realizations along with their measurement results prove the effectiveness of the compensation techniques in real life circuits The text focuses on low voltage low power integrated amplifiers Many of the presented bipolar circuits operate at supply voltages down to 1V while several CMOS amplifiers that function correctly just slightly above this voltage are demonstrated The lowest measured power consumption amounts to 17 $\mu$ W for a class AB CMOS opAmp with 120dB gain Despite this attention to low voltage and low power the frequency compensation strategies provided are universally applicable The fundamental approach followed leads to efficient compensation strategies that are well guarded against the parameter variations inherent to the mass fabrication of integrated circuits The book is essential reading for practicing analog design engineers and researchers in the field It is also suitable as a text for an advanced course on the subject

*Operational Amplifiers* G B Clayton, Steve Winder, 2003-03-03 George Clayton's *Operational Amplifiers* is a well established undergraduate text offering full coverage of the subject for HNC HND electronic engineering as well as first and second year degree modules It has also proved popular in industry as a reference text Having previously been fully revised by Steve Winder this classic textbook covers all the latest developments in the field matched to current degree module syllabuses in both the UK and USA The introductory sections assume only a basic grounding in electronics followed by more in depth material to further the reader's understanding of the subject Each chapter is followed by a set of exercises enabling the reader to put the theory learnt into practice with full answers provided at the back of the book Appendices feature reproductions of manufacturers data sheets placing the concepts introduced in the text into a real world context as well as a comprehensive bibliography This approach combined with the book's easily accessible page layout and style results in a highly student centred and comprehensive text New updated and expanded topics in the new edition include bipolar JFET and MOSFET transistors voltage regulators dielectric absorption on integrator differentiator and S as well as FDNR and Gyrator filters A classic textbook revised and updated throughout for current courses New expanded content to provide fully

comprehensive and in depth coverage of the subject Ideal for 1st 2nd year undergraduate courses **Operational Amplifiers** Johan Huijsing,2011-04-23 Operational Amplifiers Theory and Design Second Edition presents a systematic circuit design of operational amplifiers Containing state of the art material as well as the essentials the book is written to appeal to both the circuit designer and the system designer It is shown that the topology of all operational amplifiers can be divided into nine main overall configurations These configurations range from one gain stage up to four or more stages Many famous designs are evaluated in depth Additional chapters included are on systematic design of V offset operational amplifiers and precision instrumentation amplifiers by applying chopping auto zeroing and dynamic element matching techniques Also techniques for frequency compensation of amplifiers with high capacitive loads have been added Operational Amplifiers Theory and Design Second Edition presents high frequency compensation techniques to HF stabilize all nine configurations Special emphasis is placed on low power low voltage architectures with rail to rail input and output ranges In addition to presenting characterization of operational amplifiers by macro models and error matrices together with measurement techniques for their parameters it also develops the design of fully differential operational amplifiers and operational floating amplifiers Operational Amplifiers Theory and Design Second Edition is carefully structured and enriched by numerous figures problems and simulation exercises and is ideal for the purpose of self study and self evaluation

Operational Amplifiers Harry L. Helms,1987 **Modern Component Families and Circuit Block Design** Nihal Kularatna,2000-03-02 Modern Component Families and Circuit Block Design gathers and summarizes this material in a single volume and also provides a designer s viewpoint on modern components This book provides a practical approach to design problems rather than a generic analysis of broad engineering issues BOOK JACKET **Operational Amplifiers Databook** ,1995 **IC Master** ,1999 Understanding IC Operational Amplifiers Roger Melen,Harry Garland,1986 **A Functional Description of the Edvac [an Automatically-sequenced Serial Binary Electronic Digital Computer** Moore School of Electrical Engineering,1949 **Electronic Design** ,1994 Operational Amplifiers with Linear Integrated Circuits William D. Stanley,1994 Through detailed explanations and mathematics accessible to technology level readers this book establishes methods for analyzing modeling and predicting performance of op amps and linear integrated circuits KEY TOPICS It includes the common circuit configurations and devices to be used with these circuits Also includes Oscillators and waveform generators analog to digital and digital to analog conversion computer software analysis operational amplifier DC effects and limitations and more **Linear Supplement Databook** ,1984 Embedded Microprocessor Systems Design Kenneth L. Short,1998 Appropriate for undergraduate and beginning graduate level courses on embedded systems or microprocessor based systems design in computer engineering electrical engineering and computer science The basic structure operation and design of embedded systems is presented in a stepwise fashion A balanced treatment of both hardware and software is provided The Intel 80C188EB microprocessor is used as the instructional example Hardware is

covered starting from the component level Software development focuses on assembly language The only background required is an introductory course in digital systems design *Electronics*, 1945-07 June issues 1941 44 and Nov issue 1945 include a buyers guide section **Data Acquisition Databook**, 1995 *Standard Handbook of Electronic Engineering, 5th Edition* Donald Christiansen, Charles Alexander, Ronald K. Jurgen, 2005 The Standard Handbook of Electronics Engineering has defined its field for over thirty years Spun off in the 1960 s from Fink s Standard Handbook of Electrical Engineering the Christiansen book has seen its markets grow rapidly as electronic engineering and microelectronics became the growth engine of digital computing The EE market has now undergone another seismic shift away from computing and into communications and media The Handbook will retain much of its evergreen basic material but the key applications sections will now focus upon communications networked media and medicine the eventual destination of the majority of graduating EEs these days EDN, Electrical Design News, 2002 *IEEE Instrumentation and Measurement Technology Conference Proceedings*, 1987 **Accessing Electronic and Vibronic Quanta and Their Coherent Interactions in Atomically Precise Nanostructures** Gabriel Zeltzer, 2007 **Op Amps and Linear Integrated Circuits** James M. Fiore, 2001 Divided into two major sections this guide s coverage is current and computer simulations via SPICE and Multisim are integrated throughout to provide experiences similar to those encountered in industry Fundamentals are stressed in order to set up readers for success Computer simulations are integrated as a means of verifying a by hand calculation enabling readers to perform what if experiments test the validity of differing device models or investigate second order effects

## Whispering the Secrets of Language: An Mental Quest through **High Voltage Power Operational Amplifiers**

In a digitally-driven earth where monitors reign great and instant conversation drowns out the subtleties of language, the profound secrets and emotional subtleties hidden within phrases often go unheard. However, situated within the pages of **High Voltage Power Operational Amplifiers** a charming fictional treasure pulsating with raw thoughts, lies a fantastic quest waiting to be undertaken. Composed by a skilled wordsmith, that charming opus invites visitors on an introspective journey, delicately unraveling the veiled truths and profound impact resonating within the very fabric of each word. Within the psychological depths of the poignant review, we shall embark upon a genuine exploration of the book is key subjects, dissect their charming writing style, and succumb to the powerful resonance it evokes deep within the recesses of readers hearts.

<https://py.bijouxmedusa.com/data/Resources/HomePages/8%201377%20smart%20home%20tech%20best%20practices%20for%20small%20business%208%20160%20smart.pdf>

### **Table of Contents High Voltage Power Operational Amplifiers**

1. Understanding the eBook High Voltage Power Operational Amplifiers
  - The Rise of Digital Reading High Voltage Power Operational Amplifiers
  - Advantages of eBooks Over Traditional Books
2. Identifying High Voltage Power Operational Amplifiers
  - Exploring Different Genres
  - Considering Fiction vs. Non-Fiction
  - Determining Your Reading Goals
3. Choosing the Right eBook Platform
  - Popular eBook Platforms
  - Features to Look for in an High Voltage Power Operational Amplifiers
  - User-Friendly Interface
4. Exploring eBook Recommendations from High Voltage Power Operational Amplifiers

- Personalized Recommendations
  - High Voltage Power Operational Amplifiers User Reviews and Ratings
  - High Voltage Power Operational Amplifiers and Bestseller Lists
5. Accessing High Voltage Power Operational Amplifiers Free and Paid eBooks
    - High Voltage Power Operational Amplifiers Public Domain eBooks
    - High Voltage Power Operational Amplifiers eBook Subscription Services
    - High Voltage Power Operational Amplifiers Budget-Friendly Options
  6. Navigating High Voltage Power Operational Amplifiers eBook Formats
    - ePub, PDF, MOBI, and More
    - High Voltage Power Operational Amplifiers Compatibility with Devices
    - High Voltage Power Operational Amplifiers Enhanced eBook Features
  7. Enhancing Your Reading Experience
    - Adjustable Fonts and Text Sizes of High Voltage Power Operational Amplifiers
    - Highlighting and Note-Taking High Voltage Power Operational Amplifiers
    - Interactive Elements High Voltage Power Operational Amplifiers
  8. Staying Engaged with High Voltage Power Operational Amplifiers
    - Joining Online Reading Communities
    - Participating in Virtual Book Clubs
    - Following Authors and Publishers High Voltage Power Operational Amplifiers
  9. Balancing eBooks and Physical Books High Voltage Power Operational Amplifiers
    - Benefits of a Digital Library
    - Creating a Diverse Reading Collection High Voltage Power Operational Amplifiers
  10. Overcoming Reading Challenges
    - Dealing with Digital Eye Strain
    - Minimizing Distractions
    - Managing Screen Time
  11. Cultivating a Reading Routine High Voltage Power Operational Amplifiers
    - Setting Reading Goals High Voltage Power Operational Amplifiers
    - Carving Out Dedicated Reading Time
  12. Sourcing Reliable Information of High Voltage Power Operational Amplifiers

- Fact-Checking eBook Content of High Voltage Power Operational Amplifiers
  - Distinguishing Credible Sources
13. Promoting Lifelong Learning
- Utilizing eBooks for Skill Development
  - Exploring Educational eBooks
14. Embracing eBook Trends
- Integration of Multimedia Elements
  - Interactive and Gamified eBooks

### **High Voltage Power Operational Amplifiers Introduction**

In the digital age, access to information has become easier than ever before. The ability to download High Voltage Power Operational Amplifiers has revolutionized the way we consume written content. Whether you are a student looking for course material, an avid reader searching for your next favorite book, or a professional seeking research papers, the option to download High Voltage Power Operational Amplifiers has opened up a world of possibilities. Downloading High Voltage Power Operational Amplifiers provides numerous advantages over physical copies of books and documents. Firstly, it is incredibly convenient. Gone are the days of carrying around heavy textbooks or bulky folders filled with papers. With the click of a button, you can gain immediate access to valuable resources on any device. This convenience allows for efficient studying, researching, and reading on the go. Moreover, the cost-effective nature of downloading High Voltage Power Operational Amplifiers has democratized knowledge. Traditional books and academic journals can be expensive, making it difficult for individuals with limited financial resources to access information. By offering free PDF downloads, publishers and authors are enabling a wider audience to benefit from their work. This inclusivity promotes equal opportunities for learning and personal growth. There are numerous websites and platforms where individuals can download High Voltage Power Operational Amplifiers. These websites range from academic databases offering research papers and journals to online libraries with an expansive collection of books from various genres. Many authors and publishers also upload their work to specific websites, granting readers access to their content without any charge. These platforms not only provide access to existing literature but also serve as an excellent platform for undiscovered authors to share their work with the world. However, it is essential to be cautious while downloading High Voltage Power Operational Amplifiers. Some websites may offer pirated or illegally obtained copies of copyrighted material. Engaging in such activities not only violates copyright laws but also undermines the efforts of authors, publishers, and researchers. To ensure ethical downloading, it is advisable to utilize reputable websites that prioritize the legal distribution of content. When downloading High Voltage Power Operational

Amplifiers, users should also consider the potential security risks associated with online platforms. Malicious actors may exploit vulnerabilities in unprotected websites to distribute malware or steal personal information. To protect themselves, individuals should ensure their devices have reliable antivirus software installed and validate the legitimacy of the websites they are downloading from. In conclusion, the ability to download High Voltage Power Operational Amplifiers has transformed the way we access information. With the convenience, cost-effectiveness, and accessibility it offers, free PDF downloads have become a popular choice for students, researchers, and book lovers worldwide. However, it is crucial to engage in ethical downloading practices and prioritize personal security when utilizing online platforms. By doing so, individuals can make the most of the vast array of free PDF resources available and embark on a journey of continuous learning and intellectual growth.

### **FAQs About High Voltage Power Operational Amplifiers Books**

How do I know which eBook platform is the best for me? Finding the best eBook platform depends on your reading preferences and device compatibility. Research different platforms, read user reviews, and explore their features before making a choice. Are free eBooks of good quality? Yes, many reputable platforms offer high-quality free eBooks, including classics and public domain works. However, make sure to verify the source to ensure the eBook credibility. Can I read eBooks without an eReader? Absolutely! Most eBook platforms offer web-based readers or mobile apps that allow you to read eBooks on your computer, tablet, or smartphone. How do I avoid digital eye strain while reading eBooks? To prevent digital eye strain, take regular breaks, adjust the font size and background color, and ensure proper lighting while reading eBooks. What the advantage of interactive eBooks? Interactive eBooks incorporate multimedia elements, quizzes, and activities, enhancing the reader engagement and providing a more immersive learning experience. High Voltage Power Operational Amplifiers is one of the best book in our library for free trial. We provide copy of High Voltage Power Operational Amplifiers in digital format, so the resources that you find are reliable. There are also many Ebooks of related with High Voltage Power Operational Amplifiers. Where to download High Voltage Power Operational Amplifiers online for free? Are you looking for High Voltage Power Operational Amplifiers PDF? This is definitely going to save you time and cash in something you should think about.

**Find High Voltage Power Operational Amplifiers :**

**8-1377 smart home tech best practices for small business 8-160 smart**

*improvement explained for startups 8-2025 credit score improvement for*  
**growth explained United States 8-401 Instagram growth explained for**  
8-543 sustainable living comparison USA 8-2040 sustainable living  
**United States 8-541 personal finance checklist for creators 8-1152**  
**beginners for startups 8-797 digital marketing guide America 8-1028**  
creators 8-1658 real estate investing roadmap for entrepreneurs 8-1500  
dropshipping business trends America 8-2776 dropshipping business trends  
machine learning basics tutorial for creators 8-524 mental wellness apps  
States 8-9 resume writing blueprint for entrepreneurs 8-1867 resume  
startups 8-382 budget travel tools America 8-253 budget travel tools for  
United States 8-872 side hustles ideas for entrepreneurs 8-264 side  
review for creators 8-824 career growth review for entrepreneurs 8-2730  
tutorial for creators 8-1731 VPN services tutorial for entrepreneurs  
**online privacy software USA 8-611 online privacy software for small**

### **High Voltage Power Operational Amplifiers :**

*adl ehsan silah rahmi by farhat hashmi youtube - Nov 30 2022*

web farhathashmibayan qurantranslation farhathashmiquranforeveryone farhathashmidonate us so that we can create good videos for audience your donation will

emotional dua by dr farhat hashmi dua for all problems dr farhat - Jun 25 2022

web emotional dua by dr farhat hashmi dua for all problems dr farhat hashmi best urdu dua 2021subscribe your favorite channel islamic info lab links

*best dua for all muslims dr farhat hashmi offical youtube - Sep 09 2023*

web farhathashmiquranforeveryone dua muslim quran saadalqureshi molanatarigjamil sanaanas muhammadali molanamuhammadnoman

3 books by dr farhat hashmi islamicbuk com - Feb 19 2022

web mera jeena mera marna zindagi ko behtar banae ki liye quran aur sunnat ki roshni mai har ghar ke liye ek behatreen kitaab dua kijiye dua kijiye by dr farhat hashmi gathers in it all those supplications that relate to the various aspects of

home farhat hashmi quran for all in every heart in every - Mar 03 2023

web dr farhat hashmi a renowned female islamic scholar with mission quran for all in every heart in every hand live audios

recodrings and lectures

**17 dua by dr farhat hashmi youtube** - Oct 30 2022

web 17 dua by dr farhat hashmi faisal ashfaq 88 7k subscribers 149k views 5 years ago islam is the only solution for all the humanity it s cable reimaged no dvr space

**dua kijiay** [apps on google play](#) - Apr 04 2023

web oct 5 2023 dua is the one of highest forms of worship there is nothing more beloved to allah than the supplication of his slave dua kijiay now available as an app is one of the most comprehensive

**khuda tumhari har dua kabool karega youtube** - Jun 06 2023

web farhathashmi drfarhathashmi dua duaforhealth embark on a spiritual journey with dr farhat hashmi as she shares profound insights in our latest video k

**dua by farhat hashmi youtube** - Feb 02 2023

web may 19 2020 about press copyright contact us creators advertise developers terms privacy policy safety how youtube works test new features nfl sunday ticket press copyright

**al huda international** - Mar 23 2022

web new lectures al qur an tadabbur wa amal by dr farhat hashmi recordings uploaded new lectures qur an awr ihsan by dr farhat hashmi recordings uploaded sahih bukhari recordings uploaded new courses in pakistan started in islamabad and karachi surah al baqarah by taimiyyah zubair recordings uploaded new hindi products

**arafat kay din ki dua by farhat hashmi youtube** - May 05 2023

web arafat kay din ki dua by farhat hashmi hajj qurantranslation farhathashmi farhat hashmi urdu [born december 22 1957](#) is an islamic scholar

**duain awr azkaar farhat hashmi** - Oct 10 2023

web dua kijiye list allah kay liye tarifi kalimaat [durud maqbool duaain](#) walidain kay liay [azwaj kay liay](#) [awlad kay liay](#)

[downloads farhat hashmi](#) - Jul 07 2023

web e books e booklets du a kijiay [safir adaab aur dua ain](#) [wa iyyaka nasta in](#) dua book safar ki dua ain [takmil e qur an ki dua ain](#) [sonay jagnay kay adaab o azkaar](#)

[alhuda apps farhat hashmi](#) - Jul 27 2022

web duain dua is said to be the weapon of the believer seeking allahs special mercy through duas to protect and uplift ourselves and be guided especially in difficult times is what we all need the app has especially been design to allow reading daily duas in a fresh and beautiful manner all supplications are authentic from the quran and sunnah

*qurani masnoon duain dr farhat hashmi free download* - Aug 28 2022

web oct 29 2014 qurani masnoon duain dr farhat hashmi bookreader item preview dr farhat hashmi dua farhat hashmi collection opensource language romansh qurani masnoon duain dr farhat hashmi addeddate 2014 10 29 12 00 29 identifier quranimasnoonjuly2010 identifier ark ark 13960 t1gj2np4f ocr

**al dua** [الdua](#) **dr farhat hashmi official channel youtube** - Aug 08 2023

web may 9 2021 al dua [الdua](#) dr farhat hashmi official channel quraniceducation farhathashmi eidkitayyari islamicmonths 2021 prayers alhuda trending learning blesseddays supplications

**by dr farhat hashmi** - Jan 01 2023

web by dr farhat hashmi 1998 99 2002 03 2005 2007 tafsir al qur an 2022 quran sab kay liay by dr idrees zubair 2013 2015 english by amina elahi by hijaab iqbal by aisha altaf by taimiyyah zubair 2010 2012 2021 german lerne den quran by atia chohan tadabbur al qur an al qur an tadabbur wa amal al qur an tadabbur wa amal english 2016

**farhat hashmi ki palestine ke liye dua youtube** - Apr 23 2022

web farhat hashmi ki palestine ke liye dua dua by farhat hashmi farhat hashmi bayandua by farhat hasmi farhat hashmi dua farhat hashmi bayanemotional dua

*qurani masnoon duain dr farhat hashmi pdf document* - May 25 2022

web jun 21 2015 compiled by dr farhat hashmi published by al huda publications islamabad edition fifth quantity 10 000 isbn 969 8665 12 9 price rs 35 publication s date june 11 2010 for contact head office canada islamabad sales office karachi sales office 58 nazimuddin road f 8 4 islamabad pakistan ph 92 51

**palestine ke liye dua by dr farhat hashmi youtube** - Sep 28 2022

web palestine ke liye dua by dr farhat hashmi drfarhathashmi drfarhathashmisahiba drfarhathashmisahiba drfarhathashmiislamictalimat

**free handout 1 west chester university domainlookup org** - Nov 06 2022

web mar 30 2023 1 handout 1 west chester university this is likewise one of the factors by obtaining the soft documents of this handout 1 west chester university by online you might not require more era to spend to go to the ebook initiation as competently as search for them in some cases you likewise reach not discover the statement handout 1 west

**handout 1 west chester university pdf uniport edu** - Jul 14 2023

web mar 13 2023 handout 1 west chester university 1 5 downloaded from uniport edu ng on march 13 2023 by guest handout 1 west chester university this is likewise one of the factors by obtaining the soft documents of this handout 1 west chester university by online you might not require more era to spend to go to the books establishment as well

handout 1 west chester university app oaklandlibrary - Feb 09 2023

web case study of the struggle to introduce lgbt studies in the curriculum at west chester university and much more lgbt studies and queer theory new conflicts collaborations and contested terrain is an essential read for researchers academics and practitioners involved in exploring

**handout 1 west chester university pdf pdf voto uncal edu** - Jan 08 2023

web handout 1 west chester university pdf upload donald f grant 3 7 downloaded from voto uncal edu br on august 22 2023 by donald f grant methodology bayesian inference is developed as a logical extension of likelihood methods

handout 1 west chester university pdf uniport edu - Mar 10 2023

web may 10 2023 favorite books taking into consideration this handout 1 west chester university but end stirring in harmful downloads rather than enjoying a good book with a mug of coffee in the afternoon otherwise they juggled gone some harmful virus inside their computer handout 1 west chester university is comprehensible in our digital library an

handout 1 west chester university pdf pdf api2 igetweb - Aug 03 2022

web introduction handout 1 west chester university pdf pdf politics across the hudson philip mark plotch 2018 06 20 winner of the 2015 american planning association new york metro

**handout 1 west chester university** - Oct 05 2022

web 1 handout 1 west chester university getting the books handout 1 west chester university now is not type of challenging means you could not on your own going bearing in mind book accrual or library or borrowing from your links to admittance them this is an no question simple means to specifically get guide by on line

*academic catalog west chester university* - Dec 07 2022

web graduate certificate in sport management and athletics department of nursing doctor of nursing practice d n p master of science in nursing m s n adult gerontology cns track master of science in nursing m s n clinical nurse leader track advance to master of science in nursing m s n clinical nurse leader track

**handout 1 west chester university** - Jun 01 2022

web handout 1 west chester university sexual offenders and predators whosyourneighbour ca nmat by gmac 2018 mba mba hr pgdm mba pharmaceutical bibme free in deadly fire at west chester nursing home what went sexual offenders and predators whosyourneighbour ca may 6th 2018 police have arrested walter weber in connection

handout 1 west chester university pdf amitava kumar - Sep 04 2022

web may 7 2023 handout 1 west chester university pdf below audio video and media in the ministry clarence floyd richmond 2010 04 19 in a worship service a great measure of responsibility rests on those who volunteer in the

**west chester university of pennsylvania studocu** - Apr 11 2023

web do you study at west chester university of pennsylvania on studocu you will find over 2900 lecture notes summaries and

assignments from west chester university to help you pass your exams

**2023 university of chester citation guide style guide** - Mar 30 2022

web get the latest university of chester citation guide updated 2023 whenever you summarize quote paraphrase or otherwise refer to work by someone else you are required to cite your source and provide a complete reference for your source in a bibliography list of references or works cited apa referencing 7th edition guides

handout 1 west chester university pdf uniport edu - Jan 28 2022

web at west chester university and much more lgbt studies and queer theory new conflicts collaborations and contested terrain is an essential read for researchers academics and practitioners involved in exploring multifaceted

lecture handout west chester university studocu - May 12 2023

web redox ws chapter 1 chapter 4 study guide chapter 6 study guide chapter 1 study guide chapter 2 study guide persuasive speech outline a p 2 lab exam 1 study guide che 100 tues thurs lecture notes from dr voras chem100 lectures unit 1

handout 1 west chester university copy uniport edu - Dec 27 2021

web aug 5 2023 discover the revelation handout 1 west chester university that you are looking for it will completely squander the time however below afterward you visit this web page it will be consequently unconditionally simple to get as well as download lead handout 1 west chester university it will not tolerate many mature as we tell before you can

*handout 1 west chester university online kptm edu my* - Apr 30 2022

web handout 1 west chester university cinderella folk tales variations in plot and setting cement kilns sources bibme free bibliography amp citation maker mla apa hartford connecticut wikipedia literary terms and definitions c carson newman college west coast ultra cleanse detox weight loss pills gnc redbone nation articles smv canada

**handout 1 west chester university pdf uniport edu** - Aug 15 2023

web you could purchase lead handout 1 west chester university or acquire it as soon as feasible you could speedily download this handout 1 west chester university after getting deal

**1 look read and match unt 8 team elt publishing** - Feb 26 2022

web 1 bill went to the park 2 sally went to the sports centre 3 mary went to the bookshop 4 lily went to the hospital 5 sue went to the swimming pool 6 jack went to the bank 7 lucy went to the grocery 8 paul went to the police station 9 peter went to the movie theatre 10 daisy went to a cafe a to see a doctor b to get some money c to

**handout 1 west chester university duyenhai edu** - Jul 02 2022

web jun 6 2023 west chester university that you are looking for just mentioned the handout 1 west chester university is commonly consistent with any devices to read it will positively fritter away the duration handout 1 west chester university is at hand in our publication gathering an online access to it is set as public so you can get it promptly

*handout 1 west chester university pdf uniport edu* - Jun 13 2023

web jun 15 2023 *handout 1 west chester university 1 6* downloaded from uniport edu ng on june 15 2023 by guest *handout 1 west chester university* when people should go to the ebook stores search inauguration by shop shelf by shelf it is in reality problematic this is why we offer the books compilations in this website it will certainly ease you to look

*les conditions de travail des livreurs à vélo et vtc se dégradent* - Jun 25 2022

web 2 days ago la conférence épiscopale a conclu mercredi son assemblée d'automne qui a notamment travaillé sur les relations entre catholiques et musulmans dans le contexte

*les relations de phases et leurs applications des sciences de* - Jan 01 2023

web les relations de phases et leurs applications des 5 5 l analyse vibratoire très didactique et accompagné de plus de 100 exercices et problèmes résolus reflétant des

*amazon fr les relations de phases et leurs applications* - Oct 10 2023

web ce livre veut familiariser son lecteur avec les relations existant entre les phases solide liquide et gazeuse constituant le monde qui nous entoure il montre comment l'étude de

*les relations de phases et leurs applications des pdf* - Dec 20 2021

web phase argument d'une grandeur qui varie périodiquement en physique et en mécanique des ondes phase milieu dans lequel les paramètres varient de manière continue en

**les relations de phases et leurs applications des sciences de la** - Apr 23 2022

web définition de phase nom féminin chacun des états successifs d'une chose en évolution période les phases d'une maladie stade chacun des aspects que présentent la lune

*entre la chine et la russie les relations ont toujours été* - Aug 28 2022

web 21 hours ago jean philippe toussaint est né à bruxelles en 1957 il est écrivain cinéaste et photographe il est l'auteur de dix huit livres publiés aux Éditions de minuit lauréat

**les relations de phases et leurs applications des sciences de** - Apr 04 2023

web découvrez les relations de phases et leurs applications des sciences de la terre aux matériaux le livre de pierre barbey sur decitre fr 3ème libraire sur internet avec 1

*jean philippe toussaint le grand échiquier de sa vie et de son* - Jul 27 2022

web nov 6 2023 malgré l'émergence d'un dialogue social encadré par l'état entre les plates formes uber deliveroo et les autoentrepreneurs qu'elles font travailler les conditions

*les relations de phases et leurs applications des uniport edu* - Sep 16 2021

web les secteurs sont concernés par le comportement et la maîtrise des mélanges non miscibles de gaz et de liquides de

plusieurs liquides entre eux de solides et de fluides que ce

*les relations de phases et leurs applications des sciences de la* - Sep 09 2023

web dec 1 2003 que faire des ordures ménagères et des éléments polluants qu'elles contiennent la réponse à ces questions si diverses et apparemment sans lien

**phase wikipédia** - Nov 18 2021

web les relations de phases et leurs applications des 1 5 downloaded from uniport edu ng on may 13 2023 by guest les relations de phases et leurs applications des as

À Lourdes les évêques de France appellent à la création d'un - May 25 2022

web les relations de phases et leurs applications des sciences de la terre aux matériaux cd rom french edition barbey et guy pierre amazon sg books

les relations de phases et leurs applications des book - Sep 28 2022

web nov 11 2023 et dans tous les cas une profonde défiance a toujours marqué leurs relations la première période d'hostilité ouverte a duré plus de cinquante ans entre

**les relations de phases et leurs applications des sciences de la** - Jan 21 2022

web apr 1 2023 les relations de phases et leurs applications des 1 1 downloaded from uniport edu ng on april 1 2023 by guest les relations de phases et leurs

**les relations de phases et leurs applications des emidproxy** - Aug 16 2021

web clair et didactique ce manuel de référence aide à comprendre et assimiler les principes fondamentaux des différentes méthodes électrochimiques les plus utilisées dans le

**les relations de phases et leurs applications des ftp dartgo** - Nov 30 2022

web découvrez et achetez les relations de phases et leurs applications pierre barbey et guy archives contemporaines sur leslibraires fr

**les relations de phases et leurs applications des sciences de la** - Jun 06 2023

web les relations de phases et leurs applications des sciences de la terre aux matériaux cd rom inclus barbey pierre libourel guy amazon de bücher

**la chine et l'australie peuvent devenir des partenaires de** - Feb 19 2022

web les relations de phases et leurs applications des sciences de la terre aux matériaux géosciences barbey pierre libourel guy selecciona el departamento que

**phase définition simple et facile du dictionnaire l'internaute** - Jun 13 2021

*phase dico en ligne le robert* - Mar 23 2022

web nov 6 2023 le président chinois xi jinping a assuré lors de sa rencontre avec le premier ministre australien anthony albanese lundi à pékin que la chine et l'australie peuvent

**les relations de phases et leurs applications les éditions du net** - Aug 08 2023

web des sciences de la terre aux matériaux cd rom les relations de phases et leurs applications pierre barbey guy libourel archives contemporaines des milliers de

**les relations de phases et leurs applications fnac** - Jul 07 2023

web dec 1 2003 les relations de phases et leurs applications des sciences de la terre aux matériaux cd rom barbey pierre libourel guy 9782847030228 books

les relations de phases et leurs applications furet du nord - Feb 02 2023

web worldcat org entity work id 14199752 les relations de phases et leurs applications des sciences de la terre aux matériaux open all close all

les relations de phases et leurs applications des download - Jul 15 2021

web phase nom féminin sens 1 chacune des étapes d'un phénomène synonyme épisode étape stade partie palier degré sens 2 astronomie chacun des aspects de la lune

**les relations de phases et leurs applications des sciences de** - May 05 2023

web les relations de phases et leurs applications des sciences de la terre aux matériaux cd rom inclus de barbey pierre libourel guy sur abebooks fr isbn 10

**les relations de phases et leurs applications des copy** - Oct 18 2021

web mar 28 2023 les relations de phases et leurs applications des 1 1 downloaded from uniport edu ng on march 28 2023 by guest les relations de phases et leurs

**les relations de phases et leurs applications des sciences de la** - Oct 30 2022

web of this les relations de phases et leurs applications des by online you might not require more grow old to spend to go to the books opening as with ease as search for

**les relations de phases et leurs applications decitre** - Mar 03 2023

web découvrez les relations de phases et leurs applications des sciences de la terre aux matériaux le livre de pierre barbey sur furet com 9782847030228