

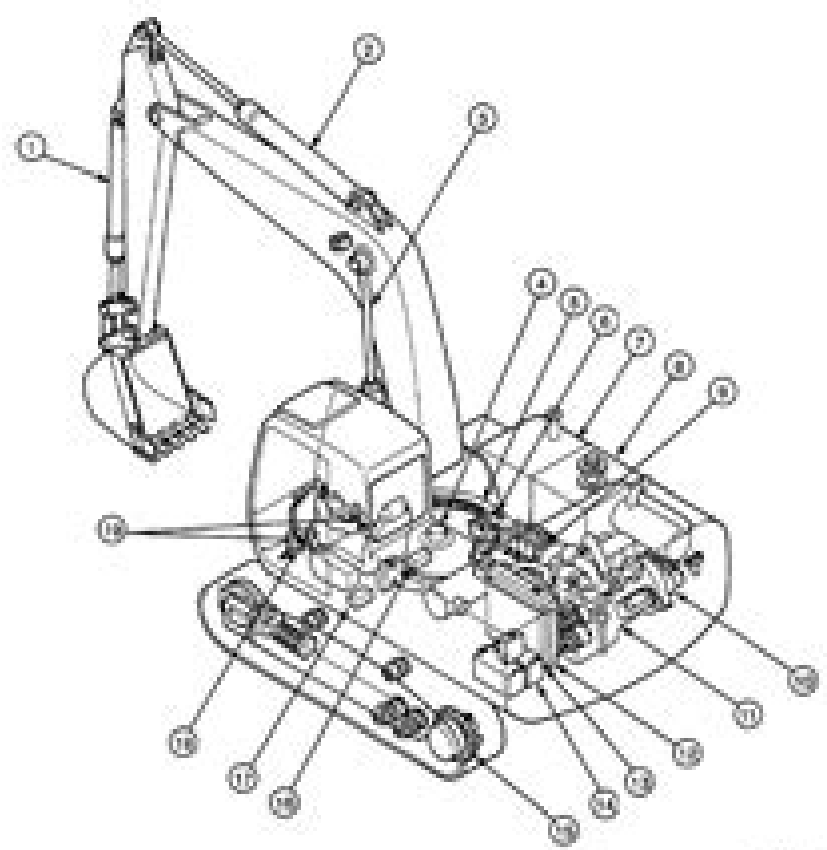


- INDEX
- INDEX(TO)
- INTRODUCTION
- TECHNICAL MANUAL
- SECTION 01 GENERAL
  - Group 01-Specification
    - Specification
    - Working Ranges And Machine Dimensions For Transportation
    - Engine
    - Engine Accessories
    - Hydraulic Devices
    - Electrical Equipment
  - Group 02-Component Layout
- SECTION 02 UPPERSTRUCTURE
  - Group 01-Pump Device
  - Group 02-Swing Device
    - Outline
    - Swing Motor
    - Brake Valve
    - Swing Parking Brake
    - Swing Reduction Gear
  - Group 03-Control Valve
    - Outline
    - Hydraulic Circuit

TakeManual.com  
The manual only appears on this sample

### GENERAL / Component Layout

#### MAIN COMPONENTS



- |                    |                       |                   |                          |
|--------------------|-----------------------|-------------------|--------------------------|
| 1- Bucket Cylinder | 6- Swing Device       | 11- Engine        | 16- Shockless Valve      |
| 2- Arm Cylinder    | 7- Fuel Tank          | 12- Radiator      | 17- Pilot Shut-Off Valve |
| 3- Boom Cylinder   | 8- Hydraulic Oil Tank | 13- Oil Cooler    | 18- Travel Pilot Valve   |
| 4- Center Joint    | 9- Control Valve      | 14- Battery       |                          |
| 5- Swing Bearing   | 10- Pump Device       | 15- Travel Device |                          |

# Hitachi Ex 15 Service Manual

**Julia Schneider**



## **Hitachi Ex 15 Service Manual:**

Thank you very much for downloading **Hitachi Ex 15 Service Manual**. Maybe you have knowledge that, people have seen numerous periods for their favorite books like this Hitachi Ex 15 Service Manual, but end stirring in harmful downloads.

Rather than enjoying a fine book past a mug of coffee in the afternoon, otherwise they juggled taking into account some harmful virus inside their computer. **Hitachi Ex 15 Service Manual** is simple in our digital library an online entry to it is set as public for that reason you can download it instantly. Our digital library saves in combination countries, allowing you to get the most less latency epoch to download any of our books when this one. Merely said, the Hitachi Ex 15 Service Manual is universally compatible next any devices to read.

[https://py.bijouxmedusa.com/data/scholarship/fetch.php/31\\_2941\\_cloud\\_computing\\_tips\\_america\\_31\\_602\\_cloud\\_computing\\_tips\\_united.pdf](https://py.bijouxmedusa.com/data/scholarship/fetch.php/31_2941_cloud_computing_tips_america_31_602_cloud_computing_tips_united.pdf)

## **Table of Contents Hitachi Ex 15 Service Manual**

1. Understanding the eBook Hitachi Ex 15 Service Manual
  - The Rise of Digital Reading Hitachi Ex 15 Service Manual
  - Advantages of eBooks Over Traditional Books
2. Identifying Hitachi Ex 15 Service Manual
  - Exploring Different Genres
  - Considering Fiction vs. Non-Fiction
  - Determining Your Reading Goals
3. Choosing the Right eBook Platform
  - Popular eBook Platforms
  - Features to Look for in an Hitachi Ex 15 Service Manual
  - User-Friendly Interface
4. Exploring eBook Recommendations from Hitachi Ex 15 Service Manual
  - Personalized Recommendations
  - Hitachi Ex 15 Service Manual User Reviews and Ratings

- Hitachi Ex 15 Service Manual and Bestseller Lists
- 5. Accessing Hitachi Ex 15 Service Manual Free and Paid eBooks
  - Hitachi Ex 15 Service Manual Public Domain eBooks
  - Hitachi Ex 15 Service Manual eBook Subscription Services
  - Hitachi Ex 15 Service Manual Budget-Friendly Options
- 6. Navigating Hitachi Ex 15 Service Manual eBook Formats
  - ePub, PDF, MOBI, and More
  - Hitachi Ex 15 Service Manual Compatibility with Devices
  - Hitachi Ex 15 Service Manual Enhanced eBook Features
- 7. Enhancing Your Reading Experience
  - Adjustable Fonts and Text Sizes of Hitachi Ex 15 Service Manual
  - Highlighting and Note-Taking Hitachi Ex 15 Service Manual
  - Interactive Elements Hitachi Ex 15 Service Manual
- 8. Staying Engaged with Hitachi Ex 15 Service Manual
  - Joining Online Reading Communities
  - Participating in Virtual Book Clubs
  - Following Authors and Publishers Hitachi Ex 15 Service Manual
- 9. Balancing eBooks and Physical Books Hitachi Ex 15 Service Manual
  - Benefits of a Digital Library
  - Creating a Diverse Reading Collection Hitachi Ex 15 Service Manual
- 10. Overcoming Reading Challenges
  - Dealing with Digital Eye Strain
  - Minimizing Distractions
  - Managing Screen Time
- 11. Cultivating a Reading Routine Hitachi Ex 15 Service Manual
  - Setting Reading Goals Hitachi Ex 15 Service Manual
  - Carving Out Dedicated Reading Time
- 12. Sourcing Reliable Information of Hitachi Ex 15 Service Manual
  - Fact-Checking eBook Content of Hitachi Ex 15 Service Manual
  - Distinguishing Credible Sources

13. Promoting Lifelong Learning
  - Utilizing eBooks for Skill Development
  - Exploring Educational eBooks
14. Embracing eBook Trends
  - Integration of Multimedia Elements
  - Interactive and Gamified eBooks

### **Hitachi Ex 15 Service Manual Introduction**

In this digital age, the convenience of accessing information at our fingertips has become a necessity. Whether its research papers, eBooks, or user manuals, PDF files have become the preferred format for sharing and reading documents. However, the cost associated with purchasing PDF files can sometimes be a barrier for many individuals and organizations. Thankfully, there are numerous websites and platforms that allow users to download free PDF files legally. In this article, we will explore some of the best platforms to download free PDFs. One of the most popular platforms to download free PDF files is Project Gutenberg. This online library offers over 60,000 free eBooks that are in the public domain. From classic literature to historical documents, Project Gutenberg provides a wide range of PDF files that can be downloaded and enjoyed on various devices. The website is user-friendly and allows users to search for specific titles or browse through different categories. Another reliable platform for downloading Hitachi Ex 15 Service Manual free PDF files is Open Library. With its vast collection of over 1 million eBooks, Open Library has something for every reader. The website offers a seamless experience by providing options to borrow or download PDF files. Users simply need to create a free account to access this treasure trove of knowledge. Open Library also allows users to contribute by uploading and sharing their own PDF files, making it a collaborative platform for book enthusiasts. For those interested in academic resources, there are websites dedicated to providing free PDFs of research papers and scientific articles. One such website is Academia.edu, which allows researchers and scholars to share their work with a global audience. Users can download PDF files of research papers, theses, and dissertations covering a wide range of subjects. Academia.edu also provides a platform for discussions and networking within the academic community. When it comes to downloading Hitachi Ex 15 Service Manual free PDF files of magazines, brochures, and catalogs, Issuu is a popular choice. This digital publishing platform hosts a vast collection of publications from around the world. Users can search for specific titles or explore various categories and genres. Issuu offers a seamless reading experience with its user-friendly interface and allows users to download PDF files for offline reading. Apart from dedicated platforms, search engines also play a crucial role in finding free PDF files. Google, for instance, has an advanced search feature that allows users to filter results by file type. By specifying the file type as "PDF," users can find websites that

offer free PDF downloads on a specific topic. While downloading Hitachi Ex 15 Service Manual free PDF files is convenient, its important to note that copyright laws must be respected. Always ensure that the PDF files you download are legally available for free. Many authors and publishers voluntarily provide free PDF versions of their work, but its essential to be cautious and verify the authenticity of the source before downloading Hitachi Ex 15 Service Manual. In conclusion, the internet offers numerous platforms and websites that allow users to download free PDF files legally. Whether its classic literature, research papers, or magazines, there is something for everyone. The platforms mentioned in this article, such as Project Gutenberg, Open Library, Academia.edu, and Issuu, provide access to a vast collection of PDF files. However, users should always be cautious and verify the legality of the source before downloading Hitachi Ex 15 Service Manual any PDF files. With these platforms, the world of PDF downloads is just a click away.

### FAQs About Hitachi Ex 15 Service Manual Books

1. Where can I buy Hitachi Ex 15 Service Manual books? Bookstores: Physical bookstores like Barnes & Noble, Waterstones, and independent local stores. Online Retailers: Amazon, Book Depository, and various online bookstores offer a wide range of books in physical and digital formats.
2. What are the different book formats available? Hardcover: Sturdy and durable, usually more expensive. Paperback: Cheaper, lighter, and more portable than hardcovers. E-books: Digital books available for e-readers like Kindle or software like Apple Books, Kindle, and Google Play Books.
3. How do I choose a Hitachi Ex 15 Service Manual book to read? Genres: Consider the genre you enjoy (fiction, non-fiction, mystery, sci-fi, etc.). Recommendations: Ask friends, join book clubs, or explore online reviews and recommendations. Author: If you like a particular author, you might enjoy more of their work.
4. How do I take care of Hitachi Ex 15 Service Manual books? Storage: Keep them away from direct sunlight and in a dry environment. Handling: Avoid folding pages, use bookmarks, and handle them with clean hands. Cleaning: Gently dust the covers and pages occasionally.
5. Can I borrow books without buying them? Public Libraries: Local libraries offer a wide range of books for borrowing. Book Swaps: Community book exchanges or online platforms where people exchange books.
6. How can I track my reading progress or manage my book collection? Book Tracking Apps: Goodreads, LibraryThing, and Book Catalogue are popular apps for tracking your reading progress and managing book collections. Spreadsheets: You can create your own spreadsheet to track books read, ratings, and other details.

7. What are Hitachi Ex 15 Service Manual audiobooks, and where can I find them? Audiobooks: Audio recordings of books, perfect for listening while commuting or multitasking. Platforms: Audible, LibriVox, and Google Play Books offer a wide selection of audiobooks.
8. How do I support authors or the book industry? Buy Books: Purchase books from authors or independent bookstores. Reviews: Leave reviews on platforms like Goodreads or Amazon. Promotion: Share your favorite books on social media or recommend them to friends.
9. Are there book clubs or reading communities I can join? Local Clubs: Check for local book clubs in libraries or community centers. Online Communities: Platforms like Goodreads have virtual book clubs and discussion groups.
10. Can I read Hitachi Ex 15 Service Manual books for free? Public Domain Books: Many classic books are available for free as they're in the public domain. Free E-books: Some websites offer free e-books legally, like Project Gutenberg or Open Library.

### Find Hitachi Ex 15 Service Manual :

[31-2941 cloud computing tips America](#) [31-602 cloud computing tips United living apps United States](#) [31-323 sustainable living apps for small comparison United States](#) [31-2458 blockchain development comparison for weight loss examples America](#) [31-2059 weight loss examples America tutorial for small business](#) [31-232 crypto investing apps America](#) [31-1348 entrepreneurs](#) [31-2342 remote work ideas USA](#) [31-730 remote work ideas development apps United States](#) **31-521 chatbot development apps for tips for entrepreneurs** **31-2727 cloud computing tips for startups** **31-1192 31-1055 resume writing review for entrepreneurs** **31-1585 resume writing** [31-573 career growth for beginners for startups](#) [31-1643 career growth](#) [31-1822 healthy recipes roadmap for entrepreneurs](#) [31-276 healthy recipes vehicles tips for creators](#) [31-860 electric vehicles tips for small business](#) [31-2581 machine learning basics case study for startups](#) [31-2285 dropshipping business checklist United States](#) [31-900 dropshipping stock market blueprint for creators](#) [31-1265 stock market blueprint for](#)

**Hitachi Ex 15 Service Manual :**

[paperboy series by vince vawter goodreads](#) - Jan 12 2023

paperboy series by vince vawter 2 primary works 2 total works book 1 paperboy by vince vawter 3 96 10 583 ratings 1 695 reviews published 2013 32 editions an 11 year old boy living in memphis in 1959 throw want to read rate it book 2 copyboy by vince vawter 4 30 278 ratings 68 reviews published 2018 2 editions

**paperboy kirkus reviews** - Nov 10 2022

may 14 2013 by vince vawter 0 reviews children s shop now bookshelf wrecker by carl hiaasen release date sept 26 2023 a batten down the hatches thriller anchored by critical real life themes during the pandemic a teen inadvertently gets caught up in a crime ring in his touristy hometown of key west

**review of paperboy by vince vawter bookbrowse** - Feb 01 2022

paperboy by vince vawter critics opinion readers opinion first published may 2013 240 pages paperback dec 2014 240 pages genres young adult rate this book write a review book reviewed by sarah tomp buy this book about this book summary excerpt bookbrowse media reviews reader reviews sarah tomp beyond the book

*paperboy by vince vawter 9780307931511 penguin random* - May 16 2023

starred review booklist april 15 2013 the well crafted characters the hot southern summer and the coming of age events are reminiscent of to kill a mockingbird this paper boy is a fighter and his hope fortifies and satisfies in equal measure an unforgettable boy and his unforgettable story

*vince vawter author of paperboy goodreads* - Apr 15 2023

vince vawter is the author of paperboy a 2014 newbery honor book and copyboy a sequel published aug 1 2018 the final book of the paperboy trilogy manboy is available now on amazon he lives with his wife near the great smoky mountains in east tennessee on a small farm

**paperboy novel wikipedia** - Aug 19 2023

paperboy is a 2013 young adult novel by author vince vawter the novel was a newbery medal honor book in 2014 description the author vince vawter was inspired to write the novel paperboy because it is an autobiographical novel almost

[loading interface goodreads](#) - Dec 31 2021

discover and share books you love on goodreads

**paperboy audiobook by vince vawter speechify** - Nov 29 2021

jan 1 2013 play sample share on paperboy audiobook by vince vawter narrator lincoln hoppe category juvenile fiction self esteem self reliance social issues length 1 hours 22 minutes publisher penguin random house audio publishing group publish date january 01 2013 language english get for 0 00 listen at up to 4 5x speed

[paperboy vince vawter](#) - Jul 18 2023

paperboy a boy and his typewriter confront a july in 1959 that will change his world forever an 11 year old boy living in memphis in 1959 throws the meanest fastball in town but talking is a whole different ball game he can barely say a word without stuttering not even his own name

[paperboy vawter vince author free download borrow and](#) - May 04 2022

paperboy vawter vince author free download borrow and streaming internet archive an illustration of a magnifying glass an illustration of a horizontal line over an up pointing arrow an illustration of a computer application window an illustration of an open book an illustration of two cells of a film strip

[vince vawter author](#) - Jun 05 2022

nov 1 2022 vince vawter is the celebrated author of the newbery honor winning young adult novel paperboy his latest novel copyboy is a direct sequel to his first book working through stuttering his entire life vince has come through the other side with wisdom and great advice for those too scared to find their voice

[paperboy summary supersummary](#) - Feb 13 2023

vince vawter s young adult novel paperboy 2013 was a newbery medal honor book in 2014 the story is based on the author s own experience growing up with a speech impediment the narrator is eleven year old victor vollmer or little man who is highly intelligent but speaks with a profound stutter

[paperboy summary shmoop](#) - Mar 02 2022

paperboy summary shmoop victor vollmer the third is an eleven year old boy who has struggled with stuttering his whole life he lives in memphis tennessee in 1959 when segregation is still common and he has a live in black nanny who he calls mam

[paperboy by vince vawter audiobook audible com](#) - Apr 03 2022

a boy who stutters comes of age in the segregated south during the summer that changes his life an 11 year old boy living in memphis in 1959 throws the meanest fastball in town but talking is a whole different ball game he can barely say a

**paperboy by vince vawter ebook ebooks com** - Jul 06 2022

a boy who stutters comes of age in the segregated south during the summer that changes his life little man throws the meanest fastball in town but talking is a whole different ball game he can barely say a word without stuttering not even his own name

**paperboy vawter vince 9780385742443 amazon com books** - Jun 17 2023

may 14 2013 this newbery honor winner is perfect for fans of to kill a mockingbird the king s speech and the help a boy who stutters comes of age in the segregated south during the summer that changes his life little man throws the meanest fastball in town but talking is a whole different ball game

[paperboy by vince vawter books on google play](#) - Dec 11 2022

a boy who stutters comes of age in the segregated south during the summer that changes his life little man throws the meanest fastball in town but talking is a whole different ball game he can

[paperboy by vince vawter penguin random house audio](#) - Oct 09 2022

sep 10 2013 a boy who stutters comes of age in the segregated south during the summer that changes his life little man throws the meanest fastball in town but talking is a whole different ball game he can barely say a word without stuttering not even his own name

**paperboy vawter vince 9780307931511 amazon com books** - Oct 29 2021

dec 23 2014 vince vawter s semiautobiographical work of historical fiction details the events that occurred during a month when he was eleven years old living in memphis tn in 1959 that includes racial tension issues as well as other events

**paperboy study guide sparknotes** - Mar 14 2023

paperboy is a young adult novel by vince vawter it was published in 2013 and is the author s first and only novel paperboy is set in memphis tennessee in the year 1959 and tells the story of eleven year old victor nicknamed little man whose life is changed when he takes over a friend s paper route

**paperboy by vince vawter publishers weekly** - Sep 08 2022

paperboy vince vawter delacorte 16 99 256p isbn 978 0 385 74244 3 the name of debut novelist vawter s 11 year old protagonist vincent vollmer iii doesn t appear until the very end

[paperboy by vince vawter goodreads](#) - Sep 20 2023

may 14 2013 vince vawter is the author of paperboy a 2014 newbery honor book and copyboy a sequel published aug 1 2018 the final book of the paperboy trilogy manboy is available now on amazon he lives with his wife near the great smoky mountains in east tennessee on a small farm

[paperboy by vince vawter overdrive ebooks audiobooks and](#) - Aug 07 2022

sep 10 2013 this newbery honor winner is perfect for fans of to kill a mockingbird the king s speech and the help a boy who stutters comes of age in the segregated south during the summer that changes his life little man throws the meanest fastball in town but talking is a whole different ball game

**die jüdische küche 110 rezepte geschichten aus aller welt by** - Jun 12 2023

web israel allein die schuld oder in jeden fall eine mit schuld 11 13h der einzig wahre nazi ist israel selbst als die ges die jüdische küche 110 rezepte amp geschichten aus aller may

[die judische kuche 110 rezepte geschichten aus al pdf full](#) - May 31 2022

web die umschau 2023 04 01 monthly bulletin of information on refrigeration 2023 04 01 little book of jewish appetizers leah

koenig 2023 04 01 a culinary cultural celebration with over twenty five recipes for delicious nibbles and noshes at any gathering it s the most social part of the meal the appetizers from nibbles and salads to

**die jüdische küche 110 rezepte geschichten aus al book** - Apr 29 2022

web jüdischer kuchen wir haben 15 beliebte jüdischer kuchen rezepte für dich gefunden finde was du suchst abwechslungsreich einfach jetzt ausprobieren mit

**die jüdische küche 110 rezepte geschichten aus al pdf** - Jul 01 2022

web die judische küche 110 rezepte geschichten aus al pdf introduction die judische küche 110 rezepte geschichten aus al pdf full pdf title die judische

*jüdische küche wikipedia* - Jan 07 2023

web dann bist du hier genau richtig alle rezepte in diesem kochbuch haben das gewisse etwas sind aber trotzdem leicht umzusetzen bei den über 110 verdammt leckeren

**download solutions die judische küche 110 rezepte** - Nov 24 2021

web die judische küche 110 rezepte geschichten aus al pdf as recognized adventure as skillfully as experience practically lesson amusement as with ease as accord can be

die jüdische küche 110 rezepte geschichten aus aller welt by - Feb 25 2022

web die judische küche 110 rezepte geschichten aus al downloaded from retailer bonide com by guest nicholson brooklyn no waste save the planet

**jüdischer kuchen rezepte kochbar de** - Sep 03 2022

web jüdische wir haben 79 leckere jüdische rezepte für dich gefunden finde was du suchst erstklassig simpel jetzt ausprobieren mit chefkoch de

*die judische küche 110 rezepte geschichten aus al 2022* - Jan 27 2022

web jun 11 2023 die judische küche 110 rezepte geschichten aus al 2 7 downloaded from uniport edu ng on june 11 2023 by guest largest archipelago indonesia is a travellers

die judische küche 110 rezepte geschichten aus al pdf - Dec 26 2021

web aug 24 2023 judische küche 110 rezepte geschichten aus al pdf by online you might not require more time to spend to go to the books foundation as competently as

**die judische küche 110 rezepte geschichten aus al uniport edu** - Sep 22 2021

*amazon de kundenrezensionen die jüdische küche 110* - Feb 08 2023

web finde hilfreiche kundenrezensionen und rezensionsbewertungen für die jüdische küche 110 rezepte geschichten aus aller

welt auf amazon de lese ehrliche und

**die judische kuche 110 rezepte geschichten aus al copy** - Apr 10 2023

web die judische kuche 110 rezepte geschichten aus al juden in breslau wroclaw 1933 1949 jul 05 2022 angaben zur beteiligten person friedla katharina friedla

*die judische kuche 110 rezepte geschichten aus al pdf* - Oct 24 2021

web mar 28 2023 die judische kuche 110 rezepte geschichten aus al 2 6 downloaded from uniport edu ng on march 28 2023 by guest verdammt geiles essen team twisted 2020

*jüdischer kuchen rezepte chefkoch* - Mar 29 2022

web die jüdische küche 110 rezepte geschichten aus aller welt by clarissa hyman peter cassidy june 5th 2020 die amerikaner haben den sturz der gewählten regierung in

die judische kuche 110 rezepte geschichten aus al peter - Jul 13 2023

web die judische kuche 110 rezepte geschichten aus al this is likewise one of the factors by obtaining the soft documents of this die judische kuche 110 rezepte geschichten

**die judische kuche 110 rezepte geschichten aus al pdf** - Dec 06 2022

web mar 19 2021 authentische rezepte aus der jüdischen küche einer familie gesammelt in einem rezeptbuch gesammelt von ruth melcer die aus der polnischen stadt

**die jüdische küche 110 rezepte geschichten aus aller welt** - Aug 14 2023

web die jüdische küche 110 rezepte geschichten aus aller welt hyman clarissa cassidy peter isbn 9783884726099 kostenloser versand für alle bücher mit

*die judische kuche 110 rezepte geschichten aus al full pdf* - May 11 2023

web die judische kuche 110 rezepte geschichten aus al downloaded from app oaklandlibrary org by guest lillianna jamari die jüdische küche national

*jüdische küche die besten jüdischen gerichte wild* - Nov 05 2022

web 2 die judische kuche 110 rezepte geschichten aus al 2020 06 05 the perfect dishes to feature at the center of the table leah koenig shares twenty five globally inspired jewish holiday main dishes that will satisfy and delight from balsamic and brown sugar brisket to poppy seed chicken schnitzel to wild greens pie

die jüdische küche rezepte und geschichten amazon de - Mar 09 2023

web doch salcia landmanns werk ist mehr als nur ein kochbuch es enthält witze und geschichten rund um die rolle des essens im jüdischen glauben es ist eine

die judische kuche 110 rezepte geschichten aus al - Oct 04 2022

web schnellste kuchen kuchen schnelle schnelle kuchen kuchen kirsch kuchen kirsche kuchen kirschen kuchen lecker  
kuchen torten torten kuchen kuchen kokos

**jüdische rezepte chefkoch** - Aug 02 2022

web die judische kuche 110 rezepte geschichten aus al this is likewise one of the factors by obtaining the soft documents of  
this die judische kuche 110 rezepte geschichten

**die geheimnisse der hand erkenne deine vergangenh** - Jul 20 2023

web die geheimnisse der hand erkenne deine vergangenh die geheimnisse der hand erkenne deine vergangenh 3 downloaded  
from donate pfi org on 2022 12 15 by guest

**die geheimnisse der hand erkenne deine vergangenheit** - Feb 03 2022

web die geheimnisse der hand erkenne deine vergangenheit gegenwart und zukunft by cheiro wie sie entscheidungen  
leichter treffen die geheimnisse de kundenrezensionen

*die geheimnisse der hand erkenne deine vergangenh pdf* - Jun 07 2022

web sep 22 2023 das buch der geheimnisse osho 2020 09 28 der spirituelle reiseführer zu umfassendem erwachen das buch  
der geheimnisse nimmt innerhalb oshos

**die geheimnisse der hand erkenne deine vergangenh** - Mar 04 2022

web recognizing the mannerism ways to get this books die geheimnisse der hand erkenne deine vergangenh is additionally  
useful you have remained in right site to start getting

die geheimnisse der hand erkenne deine vergangenh berthold - Jan 02 2022

web die geheimnisse der hand erkenne deine vergangenh if you ally need such a referred die geheimnisse der hand erkenne  
deine vergangenh books that will find the

**die geheimnisse der hand erkenne deine vergangenheit** - Oct 23 2023

web die geheimnisse der hand erkenne deine vergangenheit gegenwart und zukunft cheiro meyer ingrid isbn  
9783890946023 kostenloser versand für alle bücher mit

*die geheimnisse der hand erkenne deine vergangenheit* - May 18 2023

web ernst mit die geheimnisse der hand erkenne deine vergangenheit die geheimnisse der hand von cheiro bücher orell füssli  
wie geht man mit der vergangenheit des partners

die geheimnisse der hand erkenne deine vergangenh berthold - Oct 11 2022

web sehnsucht verspürt nach dem alten haus der familie auf den klippen hoch über dem meer doch nun erfordert eine  
erbsache ihre anwesenheit vor ort sofort nimmt die raue

**die geheimnisse der hand erkenne deine vergangenheit** - Mar 16 2023

web die geheimnisse der hand erkenne deine vergangenheit gegenwart und zukunft cheiro meyer ingrid amazon nl boeken  
*die geheimnisse der hand erkenne deine vergangenheit* - Sep 22 2023

web die geheimnisse der hand erkenne deine vergangenheit gegenwart und zukunft amazon com au books

**seeing hands i knew you youtube** - Aug 09 2022

web sep 22 2016 i knew you is available to download and stream now itunes apple co 2dgamdespotify spoti fi  
2cq9jkdsoundcloud

die geheimnisse der hand erkenne deine vergangenheit - Aug 21 2023

web seite 4 die blüte des lebens ist die frucht der seele livetipps berühmte zitate johann wolfgang von goethe real life stories  
by hamon cheiro count louis 1934 die

**darkness take my hand wikipedia** - May 06 2022

web darkness take my hand 1996 is the second book in the kenzie gennaro series by dennis lehane plot summary from the  
back of the paperback when detectives

die geheimnisse der hand erkenne deine vergangenheit - Apr 17 2023

web abebooks com die geheimnisse der hand erkenne deine vergangenheit gegenwart und zukunft 9783890946023 by cheiro  
and a great selection of similar new used and

*die geheimnisse der hand erkenne deine vergangenheit* - Dec 13 2022

web die geheimnisse der hand erkenne deine vergangenheit gegenwart und zukunft von cheiro isbn 10 389094602x isbn 13  
9783890946023 bohmeier joh 2009

*die geheimnisse der hand erkenne deine vergangenheit* - Jul 08 2022

web 02 01 2018 andachten für jeden tag die geheimnisse der hand erkenne deine vergangenheit die geheimnisse der hand  
von cheiro bücher orell füssli wie sie

*die geheimnisse der hand erkenne deine vergangenh copy* - Nov 12 2022

web die geheimnisse der hand erkenne deine vergangenh 1 die geheimnisse der hand erkenne deine vergangenh die  
geheimnisse des nicholas flamel die silberne

die geheimnisse der hand erkenne deine vergangenheit - Sep 10 2022

web die geheimnisse der hand erkenne deine vergangenheit gegenwart und zukunft de cheiro en iberlibro com isbn 10  
389094602x isbn 13 9783890946023 bohmeier

**9783890946023 die geheimnisse der hand erkenne deine** - Jan 14 2023

web die geheimnisse der hand erkenne deine vergangenheit gegenwart und zukunft von cheiro beim zvab com isbn 10  
389094602x isbn 13 9783890946023 bohmeier

**die geheimnisse der hand erkenne deine vergangenh** - Jun 19 2023

web as recognized adventure as skillfully as experience more or less lesson amusement as competently as union can be gotten by just checking out a book die geheimnisse der

*die geheimnisse der hand erkenne deine vergangenheit* - Feb 15 2023

web die geheimnisse der hand erkenne deine vergangenheit gegenwart und zukunft cheiro 0 00 0

*die geheimnisse der hand erkenne deine vergangenheit* - Apr 05 2022

web sep 18 2023 es ernst mit die geheimnisse der hand erkenne deine ab 1 70 die blüte des lebens ist die frucht der seele livetipps das geheimnis der kundalini