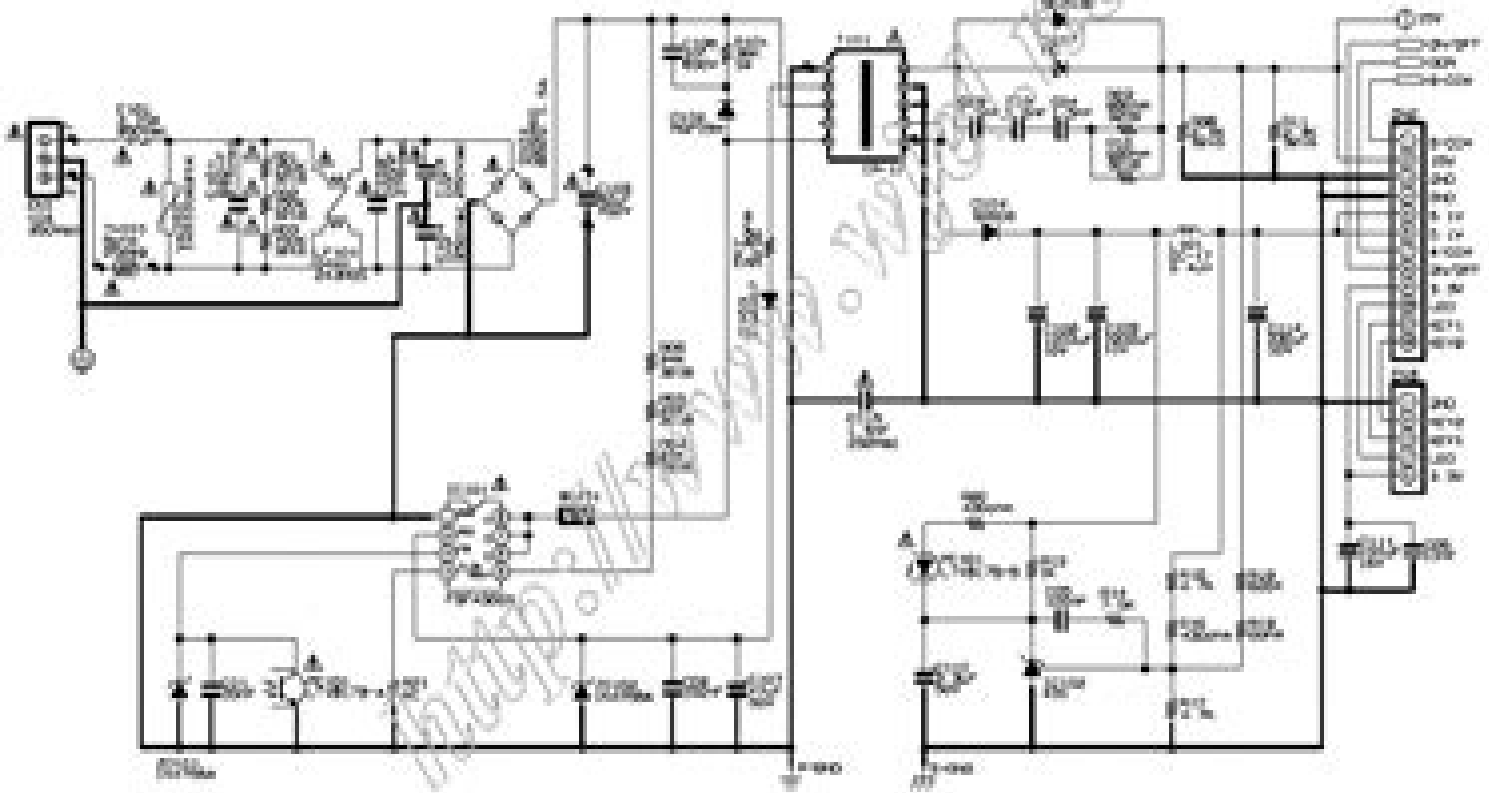


(A) POWER 電源

MC/CR 18-D W 2L



# Ip 23155a Schematic

**Tao Wei**



## Ip 23155a Schematic:

**Mergent Company Archives Manual** ,2002 Contains the final statistical record of companies which merged were acquired went bankrupt or otherwise disappeared as private companies     Mergent International Manual ,2001

Scientific and Technical Aerospace Reports ,1981 Lists citations with abstracts for aerospace related reports obtained from world wide sources and announces documents that have recently been entered into the NASA Scientific and Technical Information Database     *Popular Mechanics* ,1972-10 Popular Mechanics inspires instructs and influences readers to help them master the modern world Whether it s practical DIY home improvement tips gadgets and digital technology information on the newest cars or the latest breakthroughs in science PM is the ultimate guide to our high tech lifestyle     **Popular Mechanics** ,1972-05 Popular Mechanics inspires instructs and influences readers to help them master the modern world Whether it s practical DIY home improvement tips gadgets and digital technology information on the newest cars or the latest breakthroughs in science PM is the ultimate guide to our high tech lifestyle     **Organization Descriptions and Cross-references** Union of International Associations,Union of International Associations Staff,2008-07-29 Yearbook of International Organizations is the most comprehensive reference resource and provides current details of international non governmental NGO and intergovernmental organizations IGO Collected documented and disseminated by the Union of International Associations UIA detailed and profound information on international organizations worldwide can be found here from the United Nations the ASEAN and the Red Cross to sporting bodies and religious orders Besides historical and organizational information e g on aims subject orientation and locations details on activities events or publications as well as the most current contact details are included Integrated are also biographies of the leading individuals of the organizations as well as the presentation of networks of organizations The Union of International Associations UIA is a non profit apolitical independent and non governmental institution in the service for international associations based in Brussels Belgium For 100 years the UIA has focused on the nature and evolution of the international civil society a topic of increasing relevance New UIA Bi monthly Study Find out about current topics and the wealth of information contained in the Yearbook of International Organizations No 1 of UIA s new Bi monthly Study is now available for download This time s subject Olympic Games and Sports     **British Books in Print** ,1985     Forthcoming Books Rose Arny,2002     **Government Reports Index** ,1972     Subject Guide to Books in Print ,1996     Whitaker's Cumulative Book List ,1981

Embark on a breathtaking journey through nature and adventure with Crafted by is mesmerizing ebook, Natureis Adventure: **Ip 23155a Schematic** . This immersive experience, available for download in a PDF format ( PDF Size: \*), transports you to the heart of natural marvels and thrilling escapades. Download now and let the adventure begin!

<https://py.bijouxmedusa.com/About/browse/HomePages/kejayaan%20islam%20pada%20masa%20bani%20umayyah%20academia.pdf>

## **Table of Contents Ip 23155a Schematic**

1. Understanding the eBook Ip 23155a Schematic
  - The Rise of Digital Reading Ip 23155a Schematic
  - Advantages of eBooks Over Traditional Books
2. Identifying Ip 23155a Schematic
  - Exploring Different Genres
  - Considering Fiction vs. Non-Fiction
  - Determining Your Reading Goals
3. Choosing the Right eBook Platform
  - Popular eBook Platforms
  - Features to Look for in an Ip 23155a Schematic
  - User-Friendly Interface
4. Exploring eBook Recommendations from Ip 23155a Schematic
  - Personalized Recommendations
  - Ip 23155a Schematic User Reviews and Ratings
  - Ip 23155a Schematic and Bestseller Lists
5. Accessing Ip 23155a Schematic Free and Paid eBooks
  - Ip 23155a Schematic Public Domain eBooks
  - Ip 23155a Schematic eBook Subscription Services
  - Ip 23155a Schematic Budget-Friendly Options

6. Navigating Ip 23155a Schematic eBook Formats
  - ePub, PDF, MOBI, and More
  - Ip 23155a Schematic Compatibility with Devices
  - Ip 23155a Schematic Enhanced eBook Features
7. Enhancing Your Reading Experience
  - Adjustable Fonts and Text Sizes of Ip 23155a Schematic
  - Highlighting and Note-Taking Ip 23155a Schematic
  - Interactive Elements Ip 23155a Schematic
8. Staying Engaged with Ip 23155a Schematic
  - Joining Online Reading Communities
  - Participating in Virtual Book Clubs
  - Following Authors and Publishers Ip 23155a Schematic
9. Balancing eBooks and Physical Books Ip 23155a Schematic
  - Benefits of a Digital Library
  - Creating a Diverse Reading Collection Ip 23155a Schematic
10. Overcoming Reading Challenges
  - Dealing with Digital Eye Strain
  - Minimizing Distractions
  - Managing Screen Time
11. Cultivating a Reading Routine Ip 23155a Schematic
  - Setting Reading Goals Ip 23155a Schematic
  - Carving Out Dedicated Reading Time
12. Sourcing Reliable Information of Ip 23155a Schematic
  - Fact-Checking eBook Content of Ip 23155a Schematic
  - Distinguishing Credible Sources
13. Promoting Lifelong Learning
  - Utilizing eBooks for Skill Development
  - Exploring Educational eBooks
14. Embracing eBook Trends
  - Integration of Multimedia Elements

- Interactive and Gamified eBooks

## **Ip 23155a Schematic Introduction**

In this digital age, the convenience of accessing information at our fingertips has become a necessity. Whether its research papers, eBooks, or user manuals, PDF files have become the preferred format for sharing and reading documents. However, the cost associated with purchasing PDF files can sometimes be a barrier for many individuals and organizations. Thankfully, there are numerous websites and platforms that allow users to download free PDF files legally. In this article, we will explore some of the best platforms to download free PDFs. One of the most popular platforms to download free PDF files is Project Gutenberg. This online library offers over 60,000 free eBooks that are in the public domain. From classic literature to historical documents, Project Gutenberg provides a wide range of PDF files that can be downloaded and enjoyed on various devices. The website is user-friendly and allows users to search for specific titles or browse through different categories. Another reliable platform for downloading Ip 23155a Schematic free PDF files is Open Library. With its vast collection of over 1 million eBooks, Open Library has something for every reader. The website offers a seamless experience by providing options to borrow or download PDF files. Users simply need to create a free account to access this treasure trove of knowledge. Open Library also allows users to contribute by uploading and sharing their own PDF files, making it a collaborative platform for book enthusiasts. For those interested in academic resources, there are websites dedicated to providing free PDFs of research papers and scientific articles. One such website is Academia.edu, which allows researchers and scholars to share their work with a global audience. Users can download PDF files of research papers, theses, and dissertations covering a wide range of subjects. Academia.edu also provides a platform for discussions and networking within the academic community. When it comes to downloading Ip 23155a Schematic free PDF files of magazines, brochures, and catalogs, Issuu is a popular choice. This digital publishing platform hosts a vast collection of publications from around the world. Users can search for specific titles or explore various categories and genres. Issuu offers a seamless reading experience with its user-friendly interface and allows users to download PDF files for offline reading. Apart from dedicated platforms, search engines also play a crucial role in finding free PDF files. Google, for instance, has an advanced search feature that allows users to filter results by file type. By specifying the file type as "PDF," users can find websites that offer free PDF downloads on a specific topic. While downloading Ip 23155a Schematic free PDF files is convenient, its important to note that copyright laws must be respected. Always ensure that the PDF files you download are legally available for free. Many authors and publishers voluntarily provide free PDF versions of their work, but its essential to be cautious and verify the authenticity of the source before downloading Ip 23155a Schematic. In conclusion, the internet offers numerous platforms and websites that allow users to download free PDF files legally. Whether its classic literature, research papers, or

magazines, there is something for everyone. The platforms mentioned in this article, such as Project Gutenberg, Open Library, Academia.edu, and Issuu, provide access to a vast collection of PDF files. However, users should always be cautious and verify the legality of the source before downloading any PDF files. With these platforms, the world of PDF downloads is just a click away.

## **FAQs About Ip 23155a Schematic Books**

1. Where can I buy Ip 23155a Schematic books? Bookstores: Physical bookstores like Barnes & Noble, Waterstones, and independent local stores. Online Retailers: Amazon, Book Depository, and various online bookstores offer a wide range of books in physical and digital formats.
2. What are the different book formats available? Hardcover: Sturdy and durable, usually more expensive. Paperback: Cheaper, lighter, and more portable than hardcovers. E-books: Digital books available for e-readers like Kindle or software like Apple Books, Kindle, and Google Play Books.
3. How do I choose a Ip 23155a Schematic book to read? Genres: Consider the genre you enjoy (fiction, non-fiction, mystery, sci-fi, etc.). Recommendations: Ask friends, join book clubs, or explore online reviews and recommendations. Author: If you like a particular author, you might enjoy more of their work.
4. How do I take care of Ip 23155a Schematic books? Storage: Keep them away from direct sunlight and in a dry environment. Handling: Avoid folding pages, use bookmarks, and handle them with clean hands. Cleaning: Gently dust the covers and pages occasionally.
5. Can I borrow books without buying them? Public Libraries: Local libraries offer a wide range of books for borrowing. Book Swaps: Community book exchanges or online platforms where people exchange books.
6. How can I track my reading progress or manage my book collection? Book Tracking Apps: Goodreads, LibraryThing, and Book Catalogue are popular apps for tracking your reading progress and managing book collections. Spreadsheets: You can create your own spreadsheet to track books read, ratings, and other details.
7. What are Ip 23155a Schematic audiobooks, and where can I find them? Audiobooks: Audio recordings of books, perfect for listening while commuting or multitasking. Platforms: Audible, LibriVox, and Google Play Books offer a wide selection of audiobooks.
8. How do I support authors or the book industry? Buy Books: Purchase books from authors or independent bookstores. Reviews: Leave reviews on platforms like Goodreads or Amazon. Promotion: Share your favorite books on social media

or recommend them to friends.

9. Are there book clubs or reading communities I can join? Local Clubs: Check for local book clubs in libraries or community centers. Online Communities: Platforms like Goodreads have virtual book clubs and discussion groups.
10. Can I read Ip 23155a Schematic books for free? Public Domain Books: Many classic books are available for free as they're in the public domain. Free E-books: Some websites offer free e-books legally, like Project Gutenberg or Open Library.

### **Find Ip 23155a Schematic :**

[\*kejayaan islam pada masa bani umayyah academia\*](#)

[kamusi ya kiarabu na kiswahili](#)

[\*la captive du milliardaire azur t 3348\*](#)

[khaled hosseini s the kite runner penguin books](#)

**kerala psc ldc result 2017 18 cut off marks at keralapsc**

[\*kanzen jisatsu manyuaru the complete suicide\*](#)

**la edad de punzada xavier velasco**

[kerry e back asset pricing solutions manual user](#)

[knowledge driven entrepreneurship the key to social and economic transformation innovation technology and knowledge management](#)

[kawasaki ninja 300 service](#)

[lab 12 the skeletal system joints answers winrarore](#)

[land cruiser toyota tech](#)

[keiso 15th edition answers chapter17](#)

**jvc lcd tv repair manual wordpress**

[kawasaki fh451v fh480v fh500v fh531v fh541v fh580v fh601v fh641v fh661v fh680v fh680v fh721v engine service repair workshop manual](#)

### **Ip 23155a Schematic :**

[\*moving averages 101 second edition incredible signals that - Apr 30 2022\*](#)

web the completely revised and updated second edition is 50 bigger with many new trends spider charts moving averages 101

is the easiest way to learn how to capture trends in the stock market master moving averages and give yourself a significant trading advantage benefit from 25 years of trading experience limit your chances of trading ruin

**moving averages 101 incredible signals that will make you** - Jul 02 2022

web moving averages 101 incredible signals that will make you money in the stock market kindle edition by steve burns

author holly burns author format kindle edition 4 1 4 1 out of 5 stars 659 ratings

*moving averages 101 by steve burns holly burns audible com* - Mar 30 2022

web publisher s summary moving averages 101 is the easiest way to learn how to capture trends in the stock market master moving averages and give yourself a significant trading advantage benefit from 20 years of trading experience limit your chances of trading ruin by learning from someone with more than 20 years in the stock market

**moving averages 101 second edition incredible signals that** - Apr 11 2023

web oct 6 2020 moving averages 101 second edition incredible signals that will make you money burns steve burns holly on amazon com free shipping on qualifying offers moving averages 101 second edition

**moving averages 101 second edition incredible signals that** - Feb 26 2022

web oct 6 2020 moving averages 101 second edition incredible signals that will make you money the completely revised and updated second edition is 50 bigger with many new trendspider charts moving

**moving averages 101 incredible signals that will make you** - Mar 10 2023

web jun 30 2015 createspace independent publishing platform jun 30 2015 investments 102 pages moving averages 101 is the easiest way to learn how to capture trends in the stock market master moving

**moving averages 101 incredible signals that will make you** - Nov 06 2022

web dec 23 2020 moving averages 101 incredible signals that will make you money unabridged steve burns holly burns 5 99 publisher description the completely revised and updated second edition is 50 percent bigger moving averages 101 is the easiest way to learn how to capture trends in the stock market

moving averages 101 incredible signals that will make you - Jan 28 2022

web moving averages 101 incredible signals that will make you money in the stock market pdfdrive free download as pdf file pdf text file txt or read online for free

**moving averages 101 incredible signals that will make you** - Dec 27 2021

web moving averages 101 is the easiest way to learn how to capture trends in the stock market master moving averages and give yourself a significant trading advantage benefit from 20 years of trading experience limit your chances of trading ruin by learning from someone with more than 20 years in the stock market

*moving averages 101 incredible signals that will make you* - Dec 07 2022

web moving averages 101 is the easiest way to learn how to capture trends in the stock market master moving averages and give yourself a significant trading advantage benefit from 20 years of trading experience limit your chances of trading ruin by learning from someone with more than 20 years in the stock market

**moving averages 101 incredible signals that will make you** - Jun 13 2023

web jun 30 2015 moving average 101 is part of a series of books written by steve and holly burns husband wife team what this book is about it goes in depth into the use of moving average which is considered the most popular indicator you ll learn what are the short medium and long term moving averages and how you can use it in your trading

**moving averages 101 incredible signals that will make you** - Jun 01 2022

web moving averages 101 presents the easiest way to learn how to capture trends in the stock market it gives you a great understanding of the power of moving averages giving easy to understand explanations of complex topics as well as detailed annotated trading charts

**moving averages 101 incredible signals that will make you** - Feb 09 2023

web jul 12 2015 moving averages 101 incredible signals that will make you money in the stock market kindle edition by burns steve burns holly download it once and read it on your kindle device pc phones or tablets

**moving averages 101 incredible signals that will make you** - Jul 14 2023

web moving averages 101 incredible signals that will make you money in the stock market burns steve burns holly amazon com tr kitap

**moving averages 101 incredible signals that will make you** - Jan 08 2023

web jun 7 2016 moving averages 101 incredible signals that will make you money in the stock market unabridged steve burns holly burns 5 0 2 ratings 5 99 publisher description moving averages 101 is the easiest way to learn how to capture trends in the stock market master moving averages and give yourself a significant trading advantage

**moving averages 101 incredible signals that will make you** - Aug 03 2022

web buy moving averages 101 incredible signals that will make you money in the stock market annotated by burns steve burns holly isbn 9781515133964 from amazon s book store everyday low prices and free delivery on eligible orders

*moving averages 101 second edition incredible signals that* - May 12 2023

web oct 6 2020 moving averages 101 second edition incredible signals that will make you money kindle edition by burns steve burns holly download it once and read it on your kindle device pc phones or tablets

*moving averages 101 incredible signals that will make you* - Sep 04 2022

web moving averages 101 incredible signals that will make you money in the stock market burns steve burns holly amazon com au books

**moving averages 101 second edition incredible signals** - Oct 05 2022

web master moving averages and give yourself a significant trading advantage benefit from 25 years of trading experience limit your chances of trading ruin by learning from someone with more than 20 years in the stock market steve will teach you what a moving averages are and how to trade them

**moving averages 101 second edition incredible signals that** - Aug 15 2023

web moving averages 101 second edition incredible signals that will make you money burns steve burns holly amazon com tr kitap

**george r r martin author of a game of thrones goodreads** - Feb 14 2023

web george raymond richard r r martin was born september 20 1948 in bayonne new jersey his father was raymond collins martin a longshoreman and his mother was margaret brady martin he has two sisters darleen martin lapinski and janet martin patten martin attended mary jane donohoe school and marist high school

***george r r martin wikipedia*** - Oct 22 2023

web george raymond richard martin born george raymond martin september 20 1948 also known as grrm is an american novelist screenwriter television producer and short story writer he is the author of the series of epic fantasy novels a song of ice and fire which were adapted into the emmy award winning hbo series game of thrones 2011

**the winds of winter wikipedia** - Sep 21 2023

web a dream of spring planned the winds of winter is the forthcoming sixth novel in the epic fantasy series a song of ice and fire by american writer george r r martin martin believes the last two volumes of the series will total over 3 000 manuscript pages

**books main page george r r martin** - May 17 2023

web full bibliography novels song of ice and fire wild cards short fiction collections comic books graphic novels children s books anthologies cover gallery

**george r r martin imdb** - Jun 18 2023

web 85 photos george r r martin is an american novelist and short story writer in the fantasy horror and science fiction genres a screenwriter and television producer he is known for his international bestselling series of epic fantasy novels a song of ice and fire which was later adapted into the hbo dramatic series game of thrones 2011

**george r r martin website of author george r r martin** - Aug 20 2023

web about george awards and honors friends roger zelazny lisa tuttle howard waldrop biography bayonne chicago dubuque fandom parris on writing essays the preface that never was on fantasy writing together speeches here i am again guest of honor speech literature bowling and the labor day group critics and reviewers

**george r r martin biography books game of thrones house** - Jul 19 2023

web nov 8 2023 george r r martin born september 20 1948 bayonne new jersey u s american writer of fantasy best known for his song of ice and fire series 1996 a bloody saga about various factions vying for control of a fictional kingdom

**george r r martin biography imdb** - Apr 16 2023

web george r r martin is an american novelist and short story writer in the fantasy horror and science fiction genres a screenwriter and television producer he is known for his international bestselling series of epic fantasy novels a song of ice and fire which was later adapted into the hbo dramatic series game of thrones 2011

**books by george r r martin author of a game of thrones goodreads** - Mar 15 2023

web george r r martin has 1391 books on goodreads with 11731812 ratings george r r martin s most popular book is a game of thrones a song of ice and fire

**george r r martin penguin random house** - Jan 13 2023

web george r r martin is the 1 new york times bestselling author of many novels including those of the acclaimed series a song of ice and fire a game of thrones a clash of kings a storm of swords a feast for crows and a dance with dragons as well as tuf voyaging fevre dream the armageddon rag dying of the light windhaven with lisa

**bab ii kajian teori a persamaan schrodinger** - Apr 12 2023

web persamaan schrodinger dapat dijabarkan berdasarkan prinsip prinsip suparmi 2011 sebagai berikut prinsip dualisme gelombang partikel menyatakan bahwa perilaku gelombang dari sebuah partikel dinyatakan pada bentuk hubungan antara momentum linear  $p$  dengan panjang gelombang  $\lambda$   $h = mv \lambda$

**solusi numerik persamaan schrödinger atom** - Feb 27 2022

web prinsip aksi stasioner dapat diterapkan untuk menurunkan integral aksi persamaan schrödinger untuk suatu sistem fisis integral aksi dapat dituliskan d koltun dkk 1988 thankappan 1985  $\Lambda v t t t ldt dt dr o t b a b a y y r 17$  dimana  $o$  merupakan rapat lagrangian prinsip aksi stasioner mensyaratkan

**persamaan schrödinger wikipedia bahasa indonesia** - Aug 16 2023

web dalam mekanika kuantum persamaan schrödinger adalah persamaan matematika yang menjelaskan perubahan tiap waktu dari sebuah sistem fisika di mana efek kuantum seperti dualitas gelombang partikel menjadi signifikan persamaan ini merupakan perumusan matematis untuk mempelajari sistem mekanika kuantum

**i 3 persamaan gelombang schrodinger pdf academia edu** - Feb 10 2023

web persyaratan fungsi gelombang fungsi gelombang  $\Psi(x)$  hasil solusi persamaan schrödinger harus memenuhi beberapa persyaratan agar ia mempunyai arti fisis syarat syarat tersebut adalah sebagai berikut elektron sebagai suatu yang nyata harus ada di suatu tempat oleh karena itu fungsi  $\Psi(x)$  gelombang untuk satu

*prinsip persamaan schrodinger* - Jul 03 2022

web 4 prinsip persamaan schrodinger 2021 07 02 menyediakan 4 bidang lomba yaitu fisika kimia matematika dan biologi buku ini mencoba mmeberi informasi tentang on mipa pt mengenal karakter kompetisinya mengakrabi model soalnya dan menunjukkan referensi terkait bagian terbesar dari buku ini berisi contoh soal on mipa pt bidang uji mekanika

**solusi analitik persamaan schrödinger sistem osilator harmonik** - Jan 29 2022

web the schrodinger equation with position dependent mass pdm becomes one of interesting subjects in the study of quantum systems because of its wide applications in many physical problems meanwhile harmonic oscillator becomes important model in

*persamaan schrodinger chemistry 35 blogger* - May 01 2022

web apr 18 2011 persamaan schrodinger diajukan pada tahun 1925 oleh fisikawan erwin schrodinger 1887 1961 persamaan ini pada awalnya merupakan jawaban dari dualitas partikel gelombang yang lahir dari gagasan de broglie yang menggunakan persamaan kuantisasi cahaya planck dan prinsip fotolistrik einstein untuk melakukan kuantisasi

5 persamaan schrodinger direktori file upi - May 13 2023

web a persamaan schrodinger bergantung waktu  $\hat{H}\Psi = E\Psi$  dengan  $\hat{H} = -\frac{\hbar^2}{2m}\nabla^2 + V(\mathbf{r}, t)$  jadi  $\Psi$  merupakan perkalian dari fungsi gelombang bergantung waktu  $e^{-iEt/\hbar}$  dan

**pdf metode elemen hingga untuk penyelesaian persamaan schrödinger** - Dec 28 2021

web aug 15 2006 prinsip aksi stasioner dapat diterapkan untuk menurunkan bentuk diskret dari persamaan kata kunci ion helium persamaan schrodinger ruang posisi fungsi gelombang probabilitas view

**persamaan schrodinger pdf scribd** - Jan 09 2023

web persamaan schrodinger dapat diperoleh dengan berbagai cara tetapi semuanya mengandung kelemahan yang sama yaitu persamaan tersebut tidak dapat diturunkan secara ketat dari prinsip fisis yang ada karena persamaan itu sendiri menyatakan sesuatu yang baru dan dianggap sebagai satu postulat dari mekanika kuantum yang dinilai

**teori kuantum modern matriks heisenberg dan persamaan schrodinger** - Aug 04 2022

web jul 25 2021 persamaan schrodinger bahkan lebih fundamental dari persamaan gerak newton artinya bisa dikatakan bahwa persamaan schrodinger adalah generalisasi bentuk umum dari persamaan gerak newton karena persamaan newton maupun hamilton dapat diturunkan dari persamaan schrodinger

**prinsip persamaan schrodinger** - Oct 06 2022

web prinsip persamaan schrodinger pengantar fisika zat padat penyelesaian soliton persamaan schrodinger tak linear fisikawan ilmu fisika mudah dan aktif belajar kimia super master persiapan akm sk dan pendalaman materi us usp sma ma

kelas x saintek hole of fire revolusi teori gravitasi dari akar akarnya  
*materi lengkap teori atom mekanika kuantum cerdas* - Sep 05 2022

web feb 23 2023 persamaan schrodinger buat elektron di dalam atom bisa memberikan solusi yang diterima apabila ditetapkan bilangan bulat buat tiga parameter yang beda yang menghasilkan 3 bilangan kuantum ketiga bilangan kuantum ini yaitu bilangan kuantum utama orbital dan magnetik

**ppt 6 persamaan schrodinger ppt rosita dewi** - Dec 08 2022

web persamaan schrödinger i wayan santyasa 1 pergeseran era fisika dalam kasus fisika klasik dicirikan oleh hadirnya gaya f maka besaran posisi  $x$  dan kecepatan  $v$  partikel dapat ditentukan di sebarang waktu  $t$  dengan menggunakan persamaan newton dalam kasus elektromagnetik persoalan dicirikan oleh sekumpulan muatan dan arus

doc makalah persamaan schrodinger academia edu - Mar 31 2022

web pendekatannya sangat lain karena yang digunakannya adalah matriks hasil yang diperoleh 1 f dengan cara ini sama dengan apa yang diperoleh melalui persamaan schrodinger mekanika kuantumnya heisenberg dikenal sebagai mekanika matriks secara kronologis prinsip heisenberg muncul sesudah dirumuskannya persamaan schrodinger

**mekanika kuantum persamaan schrodinger uin malang** - Jun 14 2023

web mekanika kuantum mekanika kuantum 5 1 pendahuluan mekanika kuantum mekanika kuantum dikembangkan melalui pendekatan pendekatan oleh erwin schrodinger warner heisenberg dan lain lain pada

*persamaan schrodinger slideshare* - Mar 11 2023

web jun 18 2014 persamaan schrodinger oleh risdawati hutabarat 1215031064 persamaan schrodinger i pendahuluan persamaan schrodinger merupakan persamaan yang sangat penting untuk menjelaskan perilaku elektron persamaan schrodinger adalah persamaan yang dapat digunakan untuk menjelaskan sifat sifat

**prinsip persamaan schrodinger** - Nov 07 2022

web prinsip persamaan schrodinger kimia manajemen kompetisi nasional mipa perguruan tinggi kimia dasar jl 1 ed 3 candrajiwa indonesia postquel kardiologi kuantum 3 3 2019 mudah dan aktif belajar kimia buku fisika modern produksi elektromagnetik kaon teori dasar dan formalisme cerdas belajar kimia sejarah fisika pengantar fisika

persamaan schrodinger konsep dan penerapan dan turunan - Jul 15 2023

web berdasarkan pembahasan yang dilakukan dapat disimpulkan beberapa hal diantaranya 1 persamaan schrodinger dapat ditinjau sebagai fungsi waktu untuk keadaan yang kontiniu 2 persamaan schrodinger dapat ditinjau sebagai suatu fungsi gelombang yang tidak terikat waktu untuk keadaan stasionernya 3

persamaan schrodinger novita widiyastuti - Jun 02 2022

web  $v \cdot v = 0$  gambar 5 3 x 0 x 1 persamaan schrodinger untuk bila  $v \cdot x = 0$  identik dengan persamaan 2 1 sehingga memiliki

pemecahan yang sama yakni dengan pemecahan ini belum lengkap karena kita belum menentukan a dan b juga belum menghitung nilai energy e yang diperkenankan