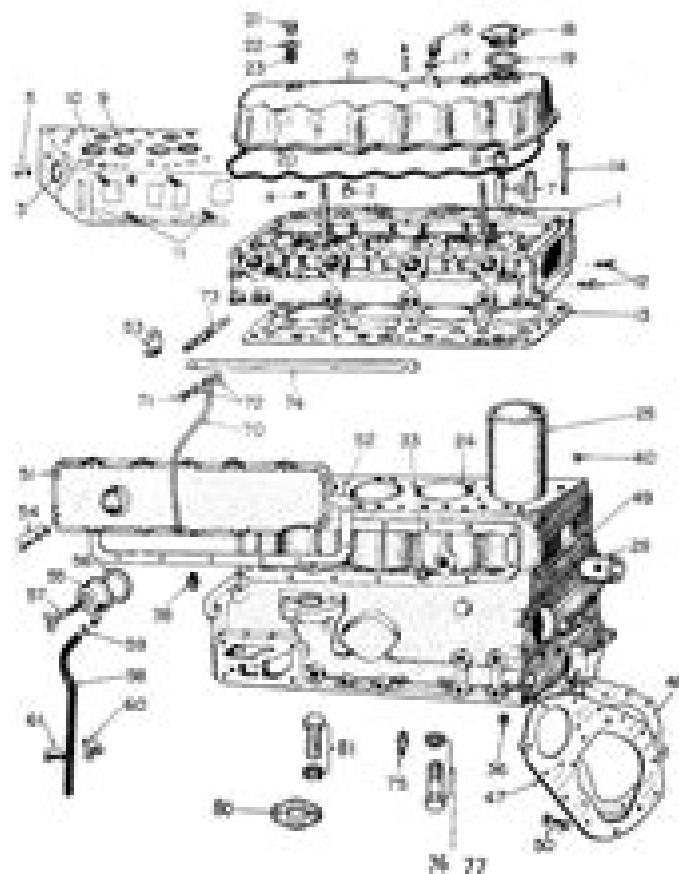


CONTENTS

Fig. No.	Section	Page
Fig. 1	Cylinder Head and Cover	1
Fig. 2	Firing Gear Case and Cooling System	7
Fig. 3	Cross Shaft and Related Parts	11
Fig. 4	Cam Shaft and Related Parts	13
Fig. 5	Oil Pan	17
Fig. 6	Oil and Fuel Filter	19
Fig. 7	Valve Rods and Thrusters	23
Fig. 8	Other Parts	27
Fig. 9	Injection Pump	31
Fig. 10	Governor	35
Fig. 11	Water Pump and Fuel Pump	39
Fig. 12	Roller Roller	41
Fig. 13	Automatic Timer	43
Fig. 14	Starter 27010-0102 9 9 9 9 9	45
Fig. 14A	Starter 27010-0103 9 9 9 9 9	48
Fig. 15	Generator 27010-0100 9 9 9 9 9	51
Fig. 15A	Generator 27010-0101 9 9 9 9 9	54

商標の登録
Registered Index

Fig. 1 27010-0101 9 9 9 9 9
CYLINDER HEAD AND COVER



Isuzu C240 Engine Service Manual

Michael Seilmaier



Isuzu C240 Engine Service Manual:

This Enthralling Realm of E-book Books: A Thorough Guide Revealing the Advantages of Kindle Books: A Realm of Convenience and Flexibility E-book books, with their inherent portability and simplicity of access, have freed readers from the limitations of physical books. Gone are the days of carrying cumbersome novels or carefully searching for particular titles in bookstores. E-book devices, stylish and lightweight, effortlessly store an extensive library of books, allowing readers to indulge in their preferred reads anytime, everywhere. Whether traveling on a bustling train, relaxing on a sun-kissed beach, or simply cozying up in bed, Kindle books provide an exceptional level of convenience. A Reading World Unfolded: Exploring the Vast Array of E-book Isuzu C240 Engine Service Manual Isuzu C240 Engine Service Manual The Kindle Store, a virtual treasure trove of literary gems, boasts an wide collection of books spanning varied genres, catering to every readers preference and choice. From captivating fiction and mind-stimulating non-fiction to timeless classics and modern bestsellers, the E-book Shop offers an exceptional abundance of titles to explore. Whether seeking escape through engrossing tales of fantasy and adventure, diving into the depths of past narratives, or expanding ones understanding with insightful works of science and philosophical, the E-book Shop provides a doorway to a literary world brimming with endless possibilities. A Transformative Factor in the Bookish Landscape: The Enduring Influence of E-book Books Isuzu C240 Engine Service Manual The advent of E-book books has unquestionably reshaped the literary landscape, introducing a paradigm shift in the way books are published, distributed, and consumed. Traditional publication houses have embraced the digital revolution, adapting their approaches to accommodate the growing demand for e-books. This has led to a surge in the availability of Kindle titles, ensuring that readers have access to a vast array of literary works at their fingertips. Moreover, E-book books have democratized entry to books, breaking down geographical barriers and providing readers worldwide with similar opportunities to engage with the written word. Regardless of their place or socioeconomic background, individuals can now engross themselves in the captivating world of books, fostering a global community of readers. Conclusion: Embracing the Kindle Experience Isuzu C240 Engine Service Manual Kindle books Isuzu C240 Engine Service Manual, with their inherent convenience, flexibility, and wide array of titles, have unquestionably transformed the way we experience literature. They offer readers the liberty to explore the boundless realm of written expression, anytime, anywhere. As we continue to navigate the ever-evolving digital landscape, Kindle books stand as testament to the lasting power of storytelling, ensuring that the joy of reading remains reachable to all.

https://py.bijouxmedusa.com/book/browse/default.aspx/online_privacy_step_by_step_america_12_1228_online_privacy_step_by_step.pdf

Table of Contents Isuzu C240 Engine Service Manual

1. Understanding the eBook Isuzu C240 Engine Service Manual
 - The Rise of Digital Reading Isuzu C240 Engine Service Manual
 - Advantages of eBooks Over Traditional Books
2. Identifying Isuzu C240 Engine Service Manual
 - Exploring Different Genres
 - Considering Fiction vs. Non-Fiction
 - Determining Your Reading Goals
3. Choosing the Right eBook Platform
 - Popular eBook Platforms
 - Features to Look for in an Isuzu C240 Engine Service Manual
 - User-Friendly Interface
4. Exploring eBook Recommendations from Isuzu C240 Engine Service Manual
 - Personalized Recommendations
 - Isuzu C240 Engine Service Manual User Reviews and Ratings
 - Isuzu C240 Engine Service Manual and Bestseller Lists
5. Accessing Isuzu C240 Engine Service Manual Free and Paid eBooks
 - Isuzu C240 Engine Service Manual Public Domain eBooks
 - Isuzu C240 Engine Service Manual eBook Subscription Services
 - Isuzu C240 Engine Service Manual Budget-Friendly Options
6. Navigating Isuzu C240 Engine Service Manual eBook Formats
 - ePub, PDF, MOBI, and More
 - Isuzu C240 Engine Service Manual Compatibility with Devices
 - Isuzu C240 Engine Service Manual Enhanced eBook Features
7. Enhancing Your Reading Experience
 - Adjustable Fonts and Text Sizes of Isuzu C240 Engine Service Manual
 - Highlighting and Note-Taking Isuzu C240 Engine Service Manual
 - Interactive Elements Isuzu C240 Engine Service Manual

8. Staying Engaged with Isuzu C240 Engine Service Manual
 - Joining Online Reading Communities
 - Participating in Virtual Book Clubs
 - Following Authors and Publishers Isuzu C240 Engine Service Manual
9. Balancing eBooks and Physical Books Isuzu C240 Engine Service Manual
 - Benefits of a Digital Library
 - Creating a Diverse Reading Collection Isuzu C240 Engine Service Manual
10. Overcoming Reading Challenges
 - Dealing with Digital Eye Strain
 - Minimizing Distractions
 - Managing Screen Time
11. Cultivating a Reading Routine Isuzu C240 Engine Service Manual
 - Setting Reading Goals Isuzu C240 Engine Service Manual
 - Carving Out Dedicated Reading Time
12. Sourcing Reliable Information of Isuzu C240 Engine Service Manual
 - Fact-Checking eBook Content of Isuzu C240 Engine Service Manual
 - Distinguishing Credible Sources
13. Promoting Lifelong Learning
 - Utilizing eBooks for Skill Development
 - Exploring Educational eBooks
14. Embracing eBook Trends
 - Integration of Multimedia Elements
 - Interactive and Gamified eBooks

Isuzu C240 Engine Service Manual Introduction

Free PDF Books and Manuals for Download: Unlocking Knowledge at Your Fingertips In today's fast-paced digital age, obtaining valuable knowledge has become easier than ever. Thanks to the internet, a vast array of books and manuals are now available for free download in PDF format. Whether you are a student, professional, or simply an avid reader, this treasure trove of downloadable resources offers a wealth of information, conveniently accessible anytime, anywhere. The advent of online libraries and platforms dedicated to sharing knowledge has revolutionized the way we consume information.

No longer confined to physical libraries or bookstores, readers can now access an extensive collection of digital books and manuals with just a few clicks. These resources, available in PDF, Microsoft Word, and PowerPoint formats, cater to a wide range of interests, including literature, technology, science, history, and much more. One notable platform where you can explore and download free Isuzu C240 Engine Service Manual PDF books and manuals is the internet's largest free library. Hosted online, this catalog compiles a vast assortment of documents, making it a veritable goldmine of knowledge. With its easy-to-use website interface and customizable PDF generator, this platform offers a user-friendly experience, allowing individuals to effortlessly navigate and access the information they seek. The availability of free PDF books and manuals on this platform demonstrates its commitment to democratizing education and empowering individuals with the tools needed to succeed in their chosen fields. It allows anyone, regardless of their background or financial limitations, to expand their horizons and gain insights from experts in various disciplines. One of the most significant advantages of downloading PDF books and manuals lies in their portability. Unlike physical copies, digital books can be stored and carried on a single device, such as a tablet or smartphone, saving valuable space and weight. This convenience makes it possible for readers to have their entire library at their fingertips, whether they are commuting, traveling, or simply enjoying a lazy afternoon at home. Additionally, digital files are easily searchable, enabling readers to locate specific information within seconds. With a few keystrokes, users can search for keywords, topics, or phrases, making research and finding relevant information a breeze. This efficiency saves time and effort, streamlining the learning process and allowing individuals to focus on extracting the information they need. Furthermore, the availability of free PDF books and manuals fosters a culture of continuous learning. By removing financial barriers, more people can access educational resources and pursue lifelong learning, contributing to personal growth and professional development. This democratization of knowledge promotes intellectual curiosity and empowers individuals to become lifelong learners, promoting progress and innovation in various fields. It is worth noting that while accessing free Isuzu C240 Engine Service Manual PDF books and manuals is convenient and cost-effective, it is vital to respect copyright laws and intellectual property rights. Platforms offering free downloads often operate within legal boundaries, ensuring that the materials they provide are either in the public domain or authorized for distribution. By adhering to copyright laws, users can enjoy the benefits of free access to knowledge while supporting the authors and publishers who make these resources available. In conclusion, the availability of Isuzu C240 Engine Service Manual free PDF books and manuals for download has revolutionized the way we access and consume knowledge. With just a few clicks, individuals can explore a vast collection of resources across different disciplines, all free of charge. This accessibility empowers individuals to become lifelong learners, contributing to personal growth, professional development, and the advancement of society as a whole. So why not unlock a world of knowledge today? Start exploring the vast sea of free PDF books and manuals waiting to be discovered right at your fingertips.

FAQs About Isuzu C240 Engine Service Manual Books

What is a Isuzu C240 Engine Service Manual PDF? A PDF (Portable Document Format) is a file format developed by Adobe that preserves the layout and formatting of a document, regardless of the software, hardware, or operating system used to view or print it. **How do I create a Isuzu C240 Engine Service Manual PDF?** There are several ways to create a PDF: Use software like Adobe Acrobat, Microsoft Word, or Google Docs, which often have built-in PDF creation tools. Print to PDF: Many applications and operating systems have a "Print to PDF" option that allows you to save a document as a PDF file instead of printing it on paper. Online converters: There are various online tools that can convert different file types to PDF. **How do I edit a Isuzu C240 Engine Service Manual PDF?** Editing a PDF can be done with software like Adobe Acrobat, which allows direct editing of text, images, and other elements within the PDF. Some free tools, like PDFescape or Smallpdf, also offer basic editing capabilities. **How do I convert a Isuzu C240 Engine Service Manual PDF to another file format?** There are multiple ways to convert a PDF to another format: Use online converters like Smallpdf, Zamzar, or Adobe Acrobats export feature to convert PDFs to formats like Word, Excel, JPEG, etc. Software like Adobe Acrobat, Microsoft Word, or other PDF editors may have options to export or save PDFs in different formats. **How do I password-protect a Isuzu C240 Engine Service Manual PDF?** Most PDF editing software allows you to add password protection. In Adobe Acrobat, for instance, you can go to "File" -> "Properties" -> "Security" to set a password to restrict access or editing capabilities. Are there any free alternatives to Adobe Acrobat for working with PDFs? Yes, there are many free alternatives for working with PDFs, such as: LibreOffice: Offers PDF editing features. PDFsam: Allows splitting, merging, and editing PDFs. Foxit Reader: Provides basic PDF viewing and editing capabilities. How do I compress a PDF file? You can use online tools like Smallpdf, ILovePDF, or desktop software like Adobe Acrobat to compress PDF files without significant quality loss. Compression reduces the file size, making it easier to share and download. Can I fill out forms in a PDF file? Yes, most PDF viewers/editors like Adobe Acrobat, Preview (on Mac), or various online tools allow you to fill out forms in PDF files by selecting text fields and entering information. Are there any restrictions when working with PDFs? Some PDFs might have restrictions set by their creator, such as password protection, editing restrictions, or print restrictions. Breaking these restrictions might require specific software or tools, which may or may not be legal depending on the circumstances and local laws.

Find Isuzu C240 Engine Service Manual :

**online privacy step by step America 12-1228 online privacy step by step
examples America 12-403 machine learning basics examples United States**

marketing software United States 12-1148 digital marketing software for
for small business 12-1978 sustainable living for beginners for small
ideas roadmap United States 12-2640 mobile app ideas roadmap United
cloud computing comparison United States 12-2830 cloud computing
12-2414 small business ideas strategies for creators 12-2678 small
12-2083 blockchain development comparison United States 12-132
strategies America 12-443 remote jobs strategies for entrepreneurs
for small business 12-1354 productivity hacks guide for startups 12-1046
practices United States 12-1118 SEO strategy best practices United
12-423 online privacy checklist for small business 12-64 online privacy
12-444 data science careers step by step for creators 12-1689 data
explained for startups 12-304 cybersecurity guide for entrepreneurs
best practices United States 12-250 self improvement blueprint for

Isuzu C240 Engine Service Manual :

audi 200 manuals audi audi club - Aug 15 2023

web repair manuals 5 92 mb german 32 200 c3 1984 ssp64 audi 100 200 quattro pdf repair manuals 6 91 mb german 33 200
c3 1983 ssp60 bordcomputer fur audi 200 und 100 pdf audi 100 audi 200 repair manuals 5 54 mb german 28

audi 200 repair manual online - Jul 02 2022

web audi 200 repair manuals your online audi 200 repair manual lets you do the job yourself and save a ton of money no
more eye popping bills at the repair shop your manual pays for itself over and over again repairsurge covers the following
production years for the audi 200 select your year to find out more

audi 200 service repair manual audi 200 pdf downloads motor era - Apr 11 2023

web motor era offers service repair manuals for your audi 200 download your manual now audi 200 service repair manuals
complete list of audi 200 auto service repair manuals audi 200 1976 1981 service repair manual pdf audi 200 1976 1981
workshop service repair manual audi 200 1976 1981 workshop repair service manual pdf

audi repair manual audi 100 200 1989 1991 bentley - Nov 06 2022

web audi 100 200 1989 1991 repair manual including 100 quattro 200 quattro wagon turbo and 20 valve models by audi of
america inc softcover 8 3 8 in x 11 in three volume set 1 731 pages thousands of illustrations and diagrams 500 pages of
electrical troubleshooting diagrams audi part no lpv 800 701

audi workshop service and repair manuals - Feb 09 2023

web workshop repair and service manuals audi all models free online audi workshop service and repair manuals home features about us 200 quattro 20v sedan l5 2226cc 2 22l dohc turbo 3b 1991 quattro wagon l5 2226cc 2 22l sohc turbo mc 1989 4000

audi 200 automotive repair manuals total car diagnostics - Oct 05 2022

web 1982 1991 audi 200 service and repair manual 1991 audi 200 repair manual 1991 audi 200 repair manual download 1991 audi 200 repair manual pdf audi 200 1990 service and repair manual audi 100 200 service repair workshop manual 1989 1991 audi 100 200 workshop manual 1989 1990 1991 audi 100 200 workshop manual 1989

audi 200 service repair manual audi 200 pdf online downloads - Sep 04 2022

web 1989 1991 audi 100 avant 200 avant 5000 workshop repair service manual 2 109 pages printable ipad ready pdf audi 100 200 workshop manual 1989 1990 1991 1990 audi 200 service repair manual software

audi 200 pdf workshop and repair manuals carmanualshub com - Mar 10 2023

web jul 12 2018 audi 200 pdf workshop and repair manuals wiring diagrams parts catalogue fault codes free download carmanualshub com automotive pdf manuals wiring diagrams fault codes reviews car manuals and news

audi 200 repair service manuals 17 pdf s - Jul 14 2023

web audi 200 service manual for roadside repairs audi 200 owners manual covering weekly checks audi 200 workshop manual covering lubricants fluids and tyre pressures audi 200 service pdf s covering routine maintenance and servicing detailed audi 200 engine and associated service systems for repairs and overhaul pdf

[audi 200 procarmanuals com](#) - Mar 30 2022

web looking for a free online audi 200 service and repair manual in pdf our comprehensive collection includes everything you need to keep your vehicle running smoothly with detailed instructions and diagrams our manuals cover everything from routine maintenance to complex repairs download your free manual today and get back on

audi 100 200 c3 typ 44 443 444 445 446 1983 1991 workshop manuals - Aug 03 2022

web audi 100 200 c3 typ 44 443 444 445 446 1983 1991 workshop manuals this is a complete service manual contains all necessary instructions needed for any repair your vehicle may require it is the very same manual dealer technicians use to diagnose and repair your vehicle with

audi 200 1989 1991 repair service manual ca034421 - Dec 27 2021

web this audi 200 1989 1991 repair and service manual ca034421 is an electronic format that can be printed out for easy reference it includes detailed illustrations and step by step instructions with diagrams and pictures to help you

audi 200 repair service manuals 16 pdf s - Jun 13 2023

web audi 200 service manual for roadside repairs audi 200 owners manual covering weekly checks audi 200 workshop manual covering lubricants fluids and tyre pressures audi 200 service pdf s covering routine maintenance and servicing detailed audi 200 engine and associated service systems for repairs and overhaul pdf

[audi 200 factory service repair manuals cardiagn](#) - Jan 08 2023

web free online service and repair manuals home audi audi 200 audi 100 audi 200 audi 100 200 1989 1991 service information system the audi 100 200 1982 1983 1984 1985 1986 1987 1988 1989 1990 1991 workshop service repair manual contains all necessary illustrations diagrams and specifications audi 100 audi 200

[1990 audi 200 service repair manual pdf file download](#) - Feb 26 2022

web service repair manual service manual pdf repair manual parts catalog parts manual operation and maintenance manual operation manual pdf free download heavy equipment software bookmarks diagrams schematic manual audi manual 1990 audi 200 service repair manual pdf file download

audi 100 200 workshop manual wiring diagrams - Jun 01 2022

web audi 100 200 service repair manual download audi 100 200 c3 typ 44 443 444 445 446 1983 1991 workshop manuals audi 100 200 c3 general body repairs download audi 100 200 c3 5 cylinder f i engine 4 valve mechanics 3b download audi 100 200 c3 k jetronic ignition system hx jy kf kg kh kp ku

[audi 200 1991 workshop manual pdf](#) - Apr 30 2022

web with this audi 200 workshop manual you can perform every job that could be done by audi garages and mechanics from changing spark plugs brake fluids oil changes engine rebuilds electrical faults and much more the audi 200 1991 workshop manual pdf includes detailed illustrations drawings diagrams step by step guides explanations of

audi 200 free workshop and repair manuals - May 12 2023

web audi 200 workshop repair and owners manuals for all years and models free pdf download for thousands of cars and trucks

car audi 200 workshop repair and service manuals user - Jan 28 2022

web car audi 200 workshop repair and service manuals user guides and owners manuals download free

[three volume set audi 100 200 repair manual 1989 1990 1991](#) - Dec 07 2022

web oct 1 1992 the 3 volume 1989 1991 audi 100 200 repair manual set provides very comprehensive service and repair information for all audi 100 and 200 models sold in canada and the usa the manuals include incredible detail about all internal and external systems of the audi 100 and 200 models

nadia sin miedo la mujer extranjera que conquistó bollywood - Feb 01 2023

web nadia sin miedo la mujer extranjera que conquistó bollywood de braganza alfredo amazon com au books

[nadia sin miedo la mujer extranjera que conquistó bollywood](#) - May 24 2022

web nadia sin miedo la mujer extranjera que conquistó bollywood de braganza alfredo amazon ca livres

[nadia sin miedo la mujer que conquisto bollywood uniport edu](#) - Apr 22 2022

web sep 1 2023 nadia sin miedo la mujer que conquisto bollywood 2 11 downloaded from uniport edu ng on september 1 2023 by guest meaning and being in myth norman

nadia sin miedo la mujer que conquistó bollywood hechos - Aug 27 2022

web jun 8 2016 nadia sin miedo la mujer que conquistó bollywood hechos reales biografías y memorias spanish edition kindle edition by de braganza alfredo

[nadia sin miedo la mujer extranjera que conquistó bollywood by](#) - Jul 06 2023

web buy nadia sin miedo la mujer extranjera que conquistó bollywood by de braganza alfredo online on amazon ae at best prices fast and free shipping free returns cash on

nadia sin miedo la mujer que conquistó bollywood hechos - Sep 08 2023

web jun 8 2016 nadia sin miedo la mujer que conquistó bollywood hechos reales biografías y memorias spanish edition kindle edition descubre a la actriz de cine más

nadia sin miedo la mujer extranjera que conquistó bollywood - Oct 09 2023

web nadia sin miedo la mujer extranjera que conquistó bollywood de braganza alfredo amazon com tr kitap

[nadia sin tu amor youtube](#) - Mar 22 2022

web nadia cantando en el programa segunda oportunidad radio mitre

[nadia sin miedo la mujer que conquistó bollywood hechos](#) - May 04 2023

web descubre a la actriz de cine más famosa en la india británica la primera actriz de cine de acción de la india antes de que popularmente se denominase como bollywood rubia

canción sin miedo claudia miranda asunción paraguay - Feb 18 2022

web este año nos descoloca en muchos sentidos pero nuestros sentimientos y ganas de erradicar la injusticia y el machismo que nos mata todos los días perdura y c

nadia sin miedo la mujer extranjera que conquistó bollywood - Nov 29 2022

web mar 9 2017 nadia sin miedo la mujer extranjera que conquistó bollywood de braganza alfredo amazon ca books

nadia sin miedo la mujer extranjera que conquistó bollywood - Aug 07 2023

web nadia sin miedo la mujer extranjera que conquistó bollywood de braganza alfredo amazon es libros

nadia sin miedo la mujer extranjera que conquistó bollywood - Sep 27 2022

web amazon com nadia sin miedo la mujer extranjera que conquistó bollywood spanish edition 9781544063645 de braganza

alfredo libros

[nadia sin miedo la mujer extranjera que conquistó bollywood by](#) - Dec 31 2022

web mar 9 2017 historia divertida y emotiva de la vida de mary evans rubia de ojos azules de padre escocés de madre griega australiana de nacimiento y nadia sin miedo la

nadia sin miedo la mujer que conquistó bollywood goodreads - Jun 05 2023

web historia divertida y emotiva de la vida de mary evans rubia de ojos azules de padre escocés de madre griega australiana de nacimiento y más conocida por nadia la

[nadia sin miedo la mujer extranjera que conquistó bollywood](#) - Jun 24 2022

web nadia sin miedo la mujer extranjera que conquistó bollywood de braganza alfredo amazon in

nadia serie 2020 sensacine com - Jan 20 2022

web nadia es una serie thriller de acción y espionaje que se ambienta en la rusia de los 90 y en la de hoy día la historia sigue a nadia una mujer compleja y dinámica que tiene

nadia sin miedo la mujer que conquistó bollywood hechos - Oct 29 2022

web nadia sin miedo la mujer que conquistó bollywood hechos reales biografías y memorias ebook de braganza alfredo amazon com mx tienda kindle

[nadia sin miedo la mujer extranjera que conquistó bollywood](#) - Apr 03 2023

web nadia sin miedo la mujer extranjera que conquistó bollywood de braganza alfredo amazon in books

nadia sin miedo la mujer extranjera que conquistó bollywood - Mar 02 2023

web abebooks com nadia sin miedo la mujer extranjera que conquistó bollywood spanish edition 9781544063645 by de braganza alfredo and a great selection of similar new

nadia sin miedo la mujer extranjera que conquistó bollywood - Jul 26 2022

web compre online nadia sin miedo la mujer extranjera que conquistó bollywood de de braganza alfredo na amazon frete grÁtis em milhares de produtos com o amazon

laurens ten dam recalls the 2009 tour de france and why cyclingnews - Apr 30 2023

web dec 26 2020 he remembers back to the 2009 tour de france and a very important lesson he learned about why you should never give up laurens ten dam is a columnist for procycling this article was taken from

pro cycling manager 2009 gamecopyworld - Jun 20 2022

web pro cycling manager 2009 gamestop backup installation notes always make a backup of the files that are overwritten by the file archive as the original files are usually required to update the game to a newer version or to play online

2009 asian cycling championships wikipedia - Mar 18 2022

web tenggarong and samarinda indonesia date s 2009 08 14 2009 08 20 14 20 august 2009 velodrome tenggarong velodrome 2008 2010 the 2009 asian cycling championships took place at the tenggarong velodrome in tenggarong and samarinda indonesia from 14 to 20 august 2009

pro cycling manager season 2009 ign - Sep 23 2022

web jun 1 2009 summary pro cycling manager tour de france 2009 is the perfect mix between management and sport simulation it puts you in the shoes of the general manager of one of the 65 official cycling

geraint thomas procyclingstats com - Nov 25 2022

web geraint thomas born 1986 05 25 in cardiff is a professional road racing cyclist from great britain currently riding for ineos grenadiers his best results are winning gc tour de france and 3 stage wins in tour de france

pro cycling manager 2009 download free full game speed new - Apr 18 2022

web pro cycling manager 2009 download free full game the 2009 edition of the series was released on july 3 2009 it was released for the playstation portable and windows pc and for the first time to xbox 360 as an arcade version named tour de france 2009 pro cycling manager 2009 free download

2009 uci protour wikipedia - Dec 27 2022

web the 2009 uci protour was the fifth series of the uci protour two new teams the american garmin slipstream and the russian team katusha joined the protour effectively taking over the licenses of crédit agricole and gerolsteiner two existing teams changed title sponsors team csc from denmark became team saxo bank and

procycling wikipedia - Mar 30 2023

web english issn 1465 7198 procycling or procycling was a bicycling sport magazine owned by future first published in april 1999 there were 13 issues a year 1 distributed in all countries where there are english speaking readers 2

pro cycling tour - Jul 22 2022

web offer the united states premier professional road cycling races featuring world class athletes live television coverage and community festival events

giro d italia 2009 stage 21 itt results procyclingstats com - Aug 03 2023

web denis menchov is the winner of giro d italia 2009 before danilo di luca and franco pellizotti ignatas konovalovas is the winner of the final stage

pro cycling manager wikipedia - May 20 2022

web xbox pro cycling manager is a series of cycling management and real time simulation games created by cyanide the game was first launched in 2001 as cycling manager but the series took on the pro label in june 2005 a new version is released every year to coincide with the tour de france the game is offered in a variety of languages

startlist for tour de france 2009 procyclingstats com - Sep 04 2023

web 1 sastre carlos 2 cuesta iñigo 3 gÓmez marchante José Ángel dnf 17 4 gustov volodymyr 5 haussler heinrich 6 hushovd thor 7 klier andreas 8 lancaster brett 9 roulston hayden ds van poppel jean paul maucher theo team statistics in race silence lotto wt 11 evans cadel 12 delage mickaël 13

uci world championship 2009 results cx procyclingstats com - Feb 26 2023

web 2010 result startlist history live more

giant pro cycling 2009 procyclingstats com - Jul 02 2023

web top results giant pro cycling was the name of the cyclingteam in 2009 the main riders on the team this season were lang meng meifang li and gao min

tour de france 2009 stage 21 results procyclingstats com - Oct 05 2023

web distance 164 km points scale uci scale parcours type profilescore vert meters departure arrival alberto contador is the winner of tour de france 2009 before andy schleck and lance armstrong mark cavendish is the winner of the final stage

pro cycling manager season 2009 1 0 download free trial - Feb 14 2022

web info updated on oct 01 2023 software informer download popular programs drivers and latest updates easily for several years now the cycling manager series has offered a clever mix between management and sports simulation

steam community pro cycling manager season 2009 - Aug 23 2022

web pro cycling manager season 2009 all discussions screenshots artwork broadcasts videos news guides reviews browse and rate player created guides for this game or create your own and share your tips with the community create your own filter by category show items tagged with all of the selected terms category achievements

pro cycling manager season 2009 le tour de france - Oct 25 2022

web pro cycling manager tour de france 2009 is the perfect mix between management and sport simulation it puts you in the shoes of the general manager of one of the 65 official cycling teams and asks you to handle everyday aspects of this position

pcm daily pro cycling manager 2009 - Jun 01 2023

web pcm daily expansi pcm daily 2023 da fighti baseba this site offers you the latest news and downloads from the world of pro cycling manager in english

cycling statistics results and rankings procyclingstats com - Jan 28 2023

web 1293 persico silvia 1265 labous juliette 1222 pcs ranking find results of cyclings top riders like tadej pogacar remco evenepoel and mathieu van der poel detailed statistics about the tour de france giro d italia and classics like