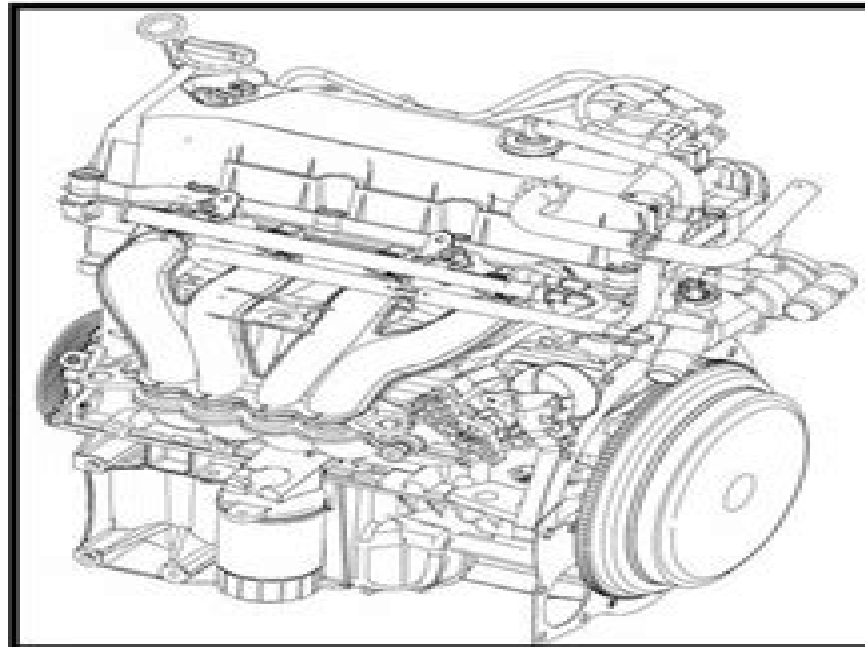




Ford

Zetec ROCAM ***1.6 L / 8V***

Reparación y Servicio



Especificaciones / Instrucciones paso a paso
Descripción y Operación
Reparaciones en el Vehículo
Desarmado y Armado / Etc.



Manual Ford Eec V Zetec Rocam

M Tight



Manual Ford Eec V Zetec Rocam:

Ford EEC V Powertrain Management ,2002 **Ford EEC-IV Systems Manual, 1983-1992** Target Training
Systems, Inc. Staff,1994-07 **Ford EEC V, Domestic and Imported** ,1998

Manual Ford Eec V Zetec Rocam Book Review: Unveiling the Magic of Language

In an electronic digital era where connections and knowledge reign supreme, the enchanting power of language has become much more apparent than ever. Its ability to stir emotions, provoke thought, and instigate transformation is actually remarkable. This extraordinary book, aptly titled "**Manual Ford Eec V Zetec Rocam**," compiled by a highly acclaimed author, immerses readers in a captivating exploration of the significance of language and its profound impact on our existence. Throughout this critique, we shall delve to the book's central themes, evaluate its unique writing style, and assess its overall influence on its readership.

https://py.bijouxmedusa.com/About/detail/index.jsp/Openscape_Desktop_Client_Installation_Und_Administration.pdf

Table of Contents Manual Ford Eec V Zetec Rocam

1. Understanding the eBook Manual Ford Eec V Zetec Rocam
 - The Rise of Digital Reading Manual Ford Eec V Zetec Rocam
 - Advantages of eBooks Over Traditional Books
2. Identifying Manual Ford Eec V Zetec Rocam
 - Exploring Different Genres
 - Considering Fiction vs. Non-Fiction
 - Determining Your Reading Goals
3. Choosing the Right eBook Platform
 - Popular eBook Platforms
 - Features to Look for in an Manual Ford Eec V Zetec Rocam
 - User-Friendly Interface
4. Exploring eBook Recommendations from Manual Ford Eec V Zetec Rocam
 - Personalized Recommendations
 - Manual Ford Eec V Zetec Rocam User Reviews and Ratings
 - Manual Ford Eec V Zetec Rocam and Bestseller Lists

5. Accessing Manual Ford Eec V Zetec Rocam Free and Paid eBooks
 - Manual Ford Eec V Zetec Rocam Public Domain eBooks
 - Manual Ford Eec V Zetec Rocam eBook Subscription Services
 - Manual Ford Eec V Zetec Rocam Budget-Friendly Options
6. Navigating Manual Ford Eec V Zetec Rocam eBook Formats
 - ePub, PDF, MOBI, and More
 - Manual Ford Eec V Zetec Rocam Compatibility with Devices
 - Manual Ford Eec V Zetec Rocam Enhanced eBook Features
7. Enhancing Your Reading Experience
 - Adjustable Fonts and Text Sizes of Manual Ford Eec V Zetec Rocam
 - Highlighting and Note-Taking Manual Ford Eec V Zetec Rocam
 - Interactive Elements Manual Ford Eec V Zetec Rocam
8. Staying Engaged with Manual Ford Eec V Zetec Rocam
 - Joining Online Reading Communities
 - Participating in Virtual Book Clubs
 - Following Authors and Publishers Manual Ford Eec V Zetec Rocam
9. Balancing eBooks and Physical Books Manual Ford Eec V Zetec Rocam
 - Benefits of a Digital Library
 - Creating a Diverse Reading Collection Manual Ford Eec V Zetec Rocam
10. Overcoming Reading Challenges
 - Dealing with Digital Eye Strain
 - Minimizing Distractions
 - Managing Screen Time
11. Cultivating a Reading Routine Manual Ford Eec V Zetec Rocam
 - Setting Reading Goals Manual Ford Eec V Zetec Rocam
 - Carving Out Dedicated Reading Time
12. Sourcing Reliable Information of Manual Ford Eec V Zetec Rocam
 - Fact-Checking eBook Content of Manual Ford Eec V Zetec Rocam
 - Distinguishing Credible Sources
13. Promoting Lifelong Learning

- Utilizing eBooks for Skill Development
 - Exploring Educational eBooks
14. Embracing eBook Trends
- Integration of Multimedia Elements
 - Interactive and Gamified eBooks

Manual Ford Eec V Zetec Rocam Introduction

Free PDF Books and Manuals for Download: Unlocking Knowledge at Your Fingertips In today's fast-paced digital age, obtaining valuable knowledge has become easier than ever. Thanks to the internet, a vast array of books and manuals are now available for free download in PDF format. Whether you are a student, professional, or simply an avid reader, this treasure trove of downloadable resources offers a wealth of information, conveniently accessible anytime, anywhere. The advent of online libraries and platforms dedicated to sharing knowledge has revolutionized the way we consume information. No longer confined to physical libraries or bookstores, readers can now access an extensive collection of digital books and manuals with just a few clicks. These resources, available in PDF, Microsoft Word, and PowerPoint formats, cater to a wide range of interests, including literature, technology, science, history, and much more. One notable platform where you can explore and download free Manual Ford Eec V Zetec Rocam PDF books and manuals is the internet's largest free library. Hosted online, this catalog compiles a vast assortment of documents, making it a veritable goldmine of knowledge. With its easy-to-use website interface and customizable PDF generator, this platform offers a user-friendly experience, allowing individuals to effortlessly navigate and access the information they seek. The availability of free PDF books and manuals on this platform demonstrates its commitment to democratizing education and empowering individuals with the tools needed to succeed in their chosen fields. It allows anyone, regardless of their background or financial limitations, to expand their horizons and gain insights from experts in various disciplines. One of the most significant advantages of downloading PDF books and manuals lies in their portability. Unlike physical copies, digital books can be stored and carried on a single device, such as a tablet or smartphone, saving valuable space and weight. This convenience makes it possible for readers to have their entire library at their fingertips, whether they are commuting, traveling, or simply enjoying a lazy afternoon at home. Additionally, digital files are easily searchable, enabling readers to locate specific information within seconds. With a few keystrokes, users can search for keywords, topics, or phrases, making research and finding relevant information a breeze. This efficiency saves time and effort, streamlining the learning process and allowing individuals to focus on extracting the information they need. Furthermore, the availability of free PDF books and manuals fosters a culture of continuous learning. By removing financial barriers, more people can access educational resources and pursue lifelong learning, contributing to

personal growth and professional development. This democratization of knowledge promotes intellectual curiosity and empowers individuals to become lifelong learners, promoting progress and innovation in various fields. It is worth noting that while accessing free Manual Ford Eec V Zetec Rocam PDF books and manuals is convenient and cost-effective, it is vital to respect copyright laws and intellectual property rights. Platforms offering free downloads often operate within legal boundaries, ensuring that the materials they provide are either in the public domain or authorized for distribution. By adhering to copyright laws, users can enjoy the benefits of free access to knowledge while supporting the authors and publishers who make these resources available. In conclusion, the availability of Manual Ford Eec V Zetec Rocam free PDF books and manuals for download has revolutionized the way we access and consume knowledge. With just a few clicks, individuals can explore a vast collection of resources across different disciplines, all free of charge. This accessibility empowers individuals to become lifelong learners, contributing to personal growth, professional development, and the advancement of society as a whole. So why not unlock a world of knowledge today? Start exploring the vast sea of free PDF books and manuals waiting to be discovered right at your fingertips.

FAQs About Manual Ford Eec V Zetec Rocam Books

How do I know which eBook platform is the best for me? Finding the best eBook platform depends on your reading preferences and device compatibility. Research different platforms, read user reviews, and explore their features before making a choice. Are free eBooks of good quality? Yes, many reputable platforms offer high-quality free eBooks, including classics and public domain works. However, make sure to verify the source to ensure the eBook credibility. Can I read eBooks without an eReader? Absolutely! Most eBook platforms offer webbased readers or mobile apps that allow you to read eBooks on your computer, tablet, or smartphone. How do I avoid digital eye strain while reading eBooks? To prevent digital eye strain, take regular breaks, adjust the font size and background color, and ensure proper lighting while reading eBooks. What the advantage of interactive eBooks? Interactive eBooks incorporate multimedia elements, quizzes, and activities, enhancing the reader engagement and providing a more immersive learning experience. Manual Ford Eec V Zetec Rocam is one of the best book in our library for free trial. We provide copy of Manual Ford Eec V Zetec Rocam in digital format, so the resources that you find are reliable. There are also many Ebooks of related with Manual Ford Eec V Zetec Rocam. Where to download Manual Ford Eec V Zetec Rocam online for free? Are you looking for Manual Ford Eec V Zetec Rocam PDF? This is definitely going to save you time and cash in something you should think about. If you trying to find then search around for online. Without a doubt there are numerous these available and many of them have the freedom. However without doubt you receive whatever you purchase. An alternate way to get ideas is always to check another Manual Ford Eec V Zetec Rocam.

This method for see exactly what may be included and adopt these ideas to your book. This site will almost certainly help you save time and effort, money and stress. If you are looking for free books then you really should consider finding to assist you try this. Several of Manual Ford Eec V Zetec Rocam are for sale to free while some are payable. If you arent sure if the books you would like to download works with for usage along with your computer, it is possible to download free trials. The free guides make it easy for someone to free access online library for download books to your device. You can get free download on free trial for lots of books categories. Our library is the biggest of these that have literally hundreds of thousands of different products categories represented. You will also see that there are specific sites catered to different product types or categories, brands or niches related with Manual Ford Eec V Zetec Rocam. So depending on what exactly you are searching, you will be able to choose e books to suit your own need. Need to access completely for Campbell Biology Seventh Edition book? Access Ebook without any digging. And by having access to our ebook online or by storing it on your computer, you have convenient answers with Manual Ford Eec V Zetec Rocam To get started finding Manual Ford Eec V Zetec Rocam, you are right to find our website which has a comprehensive collection of books online. Our library is the biggest of these that have literally hundreds of thousands of different products represented. You will also see that there are specific sites catered to different categories or niches related with Manual Ford Eec V Zetec Rocam So depending on what exactly you are searching, you will be able tochoose ebook to suit your own need. Thank you for reading Manual Ford Eec V Zetec Rocam. Maybe you have knowledge that, people have search numerous times for their favorite readings like this Manual Ford Eec V Zetec Rocam, but end up in harmful downloads. Rather than reading a good book with a cup of coffee in the afternoon, instead they juggled with some harmful bugs inside their laptop. Manual Ford Eec V Zetec Rocam is available in our book collection an online access to it is set as public so you can download it instantly. Our digital library spans in multiple locations, allowing you to get the most less latency time to download any of our books like this one. Merely said, Manual Ford Eec V Zetec Rocam is universally compatible with any devices to read.

Find Manual Ford Eec V Zetec Rocam :

[openscape desktop client installation und administration](#)

**nissan qashqai a k a nissan dualis model j10 series workshop service repair manual 2006 2009 11 000 pages
503mb searchable printable bookmarked ipad ready pdf**

[nissan ka24e engine specs](#)

[openfoam programming](#)

[nomad kind of love prairie devils mc 2 nicole snow](#)

[news pratt whitney](#)

on violence hannah arendt pdf download raiisa

operating the sunroof 1 control panels electric and
notes of corporate social responsibility in hindi
operations research problems and solutions by v k Kapoor pdf
new headway upper intermediate the 3rd edition tests
~~nineteen eighty four study guide answers holt rinehart~~
notes for class ix pakistan studies english
ocean at the end of the lane
one part woman perumal murugan

Manual Ford Eec V Zetec Rocam :

2022 disney nightmare before christmas wall calendar - Jan 29 2022

web jun 21 2021 2024 disney the nightmare before christmas wall calendar 17 99 available to ship in 1 2 days featuring
creepstastic images of jack skellington and all your favorite nbc characters from the hit disney christmas thriller this 2022
disney nightmare before christmas wall calendar will have you oogy boogying all year long

nightmare before christmas official 2019 calendar square wall - Apr 12 2023

web nightmare before christmas official 2019 calendar square wall calendar format amazon sg books
amazon com nightmare before christmas calendar - Jul 03 2022

web the nightmare before christmas official advent calendar ghoulish delights by insight kids 1 524 calendar 1129 list 29 99
3 99 delivery sep 18 22 or fastest delivery sep 12 18

nightmare before christmas official 2019 calendar amazon ca - Dec 08 2022

web nightmare before christmas official 2019 calendar square wall calendar format amazon ca office products

the nightmare before christmas wall calendar 2019 - Feb 10 2023

web jul 1 2018 calendar 14 94 1 new from 14 94 tim burton s halloween inspired christmas classic is here in a full color wall
format fans will love features a full sized planning grid printed on a glossy paper stock suitable for pen and pencil note taking
nightmare before christmas 2019 calendar forbidden planet - May 13 2023

web celebrate the 25th anniversary of pumpkin king jack skellington sally and the other residents of halloween town with this
official 2019 nightmare before christmas calendar a visually stunning film nightmare before christmas became the first stop
motion animated film to be entirely converted to 3d and was the first animated film

nightmare before christmas official 2019 calendar goodreads - Oct 06 2022

web the nightmare before christmas 2019 wall calendar for unisex in multicolour made of paper o nightmare before christmas official 2019 calendar square wall calendar format by nightmare before christmas goodreads

nightmare before christmas official 2019 calendar square wall - Aug 16 2023

web sep 15 2018 nightmare before christmas official 2019 calendar square wall calendar format on amazon com free shipping on qualifying offers nightmare before christmas official 2019 calendar square wall calendar format

nightmare before christmas official 2019 calendar square wall - Jul 15 2023

web nightmare before christmas official 2019 calendar square wall calendar format nightmare before christmas amazon co uk books

amazon com 2019 wall calendar nightmare before christmas - Jun 14 2023

web the nightmare before christmas wall calendar 2019 by day dream 4 14 1 out of 5 stars 176 calendar currently unavailable the nightmare before christmas wall calendar 2019 by mead 4 94 9 out of 5 stars 99 calendar

nightmare before christmas official 2019 calendar amazon it - Jun 02 2022

web this 2019 calendar featuring beautiful images for every month of the year along with monthly date grid this calendar will keep you organised and all your appointments birthdays and daily notes all in one place plus add some disney magic to your year 2019 square wall calendar 305x305mm

buy nightmare before christmas official 2019 calendar amazon in - Nov 07 2022

web amazon in buy nightmare before christmas official 2019 calendar square wall calendar format book online at best prices in india on amazon in read nightmare before christmas official 2019 calendar square wall calendar format book reviews author details and more at amazon in free delivery on qualified orders

nightmare before christmas official 2019 calendar amazon de - Sep 05 2022

web nightmare before christmas official 2019 calendar square wall calendar format amazon de bücher

[the nightmare before christmas where to watch and stream](#) - Dec 28 2021

web nov 5 2015 1993 1 hr 16 mins music fantasy pg watchlist stop motion tale about jack skellington the leader of halloweentown where the residents life work is to scare humans after getting a glimpse

[nightmare before christmas official 2019 calendar square wall](#) - Mar 11 2023

web buy nightmare before christmas official 2019 calendar square wall calendar format online on amazon eg at best prices fast and free shipping free returns cash on delivery available on eligible purchase

[amazon com calendar nightmare before christmas](#) - Aug 04 2022

web nightmare before christmas calendar 2023 deluxe 2023 nbc collector s edition calendar bundle with over 100 calendar stickers tim burton gifts office supplies 1995 free delivery tue dec 20 on 25 of items shipped by

nightmare before christmas official 2019 calendar amazon es - May 01 2022

web nightmare before christmas official 2019 calendar square wall calendar format nightmare before christmas amazon es oficina y papelería

nightmare before christmas official 2019 calendar 2019 - Mar 31 2022

web sep 15 2018 nightmare before christmas official 2019 calendar square wall calendar format 2019 9 15 89 242 242 1 500off canon 4

nightmare before christmas 2020 calendar official square wall - Feb 27 2022

web sep 30 2019 nightmare before christmas 2020 calendar official square wall format calendar this 12 month 2020 calendar is a must have for any fans of the stop motion animated musical film produced by tim burton each monthly page features a different phenomenal image and plenty of space to write in your plans for 2020 in the

nightmare before christmas official 2019 calendar amazon de - Jan 09 2023

web nightmare before christmas official 2019 calendar square wall calendar format amazon de books

feed manufacturing technology current issues and challenges - Dec 25 2022

web oct 1 1996 abstract feed cost represents the major item in the cost of animal production without doubt efforts will continue to refine feed processing techniques to reduce the

made in victoria energy technologies manufacturing program - Apr 04 2021

web oct 25 2023 program overview the program will support victorian manufacturers to make more products or components that support the state s transition towards net zero

adcp rep 80 11 fish feed technology food and agriculture - Jan 14 2022

web feed manufacturing technology chapter 17 material flow in feed manufacturing 1 1 introduction 2 receiving 3 processing 4 packaging

feed manufacturing technology resource now online - Jul 20 2022

web oct 1 2020 during the feed production education program at ippe 2020 wednesday morning gary huddleston afia director of feed manufacturing and regulatory affairs

byd skids after buffett sells as alibaba jd com weigh on tech - Jan 31 2021

web nov 1 2023 tech stocks weigh on the market as a report shows chinese manufacturing contracted in october byd falls as warren buffett sells again beijing wants to focus on

[feed manufacturing technology foodstream](#) - Aug 21 2022

web this course covers the content of our pellet milling program plus basic extrusion and other operations commonly used in the production of animal feeds it aims to provide

feed manufacturing technology - Feb 24 2023

web feed manufacturing technology to access this valuable resource click on feed manufacturing technology in the above menu the search feature located on the right

feed manufacturing technology feed mill of the future - May 30 2023

web panel discussion at the 2023 feed mill of the future conference including representatives from cargill adm todd sargent and bühler discuss the many facets of feed industry

feed mill of the future feed manufacturing technology - Apr 28 2023

web watch feed industry consultant wayne cooper explain how feed producers can reduce energy usage with their current equipment and improve energy efficiency in pelleting

10 new innovations for feed processing operations - Oct 03 2023

web dec 1 2022 review a collection of feed manufacturing related products and technologies released in the past 12 months

siemens and microsoft develop ai assistant for manufacturing - Aug 09 2021

web oct 31 2023 1 13 german industrial giant siemens ag has partnered with microsoft corp to develop an ai powered assistant to improve collaboration between humans and

feed mill manufacturing technology 2023 - Feb 12 2022

web feed mill manufacturing technology rubber products manufacturing technology mar 30 2021 provides authoritative coverage of compounding mixing calendaring extrusion

feed manufacturing technology current issues and challenges - Sep 21 2022

web oct 1 1996 feed cost represents the major item in the cost of animal production without doubt efforts will continue to refine feed processing techniques to reduce the cost of

latest in feed milling and grinding equipment - Oct 23 2022

web aug 2 2023 feed manufacturing technology 2024 feed mill of the future conference learn about the 2024 half day event organized in partnership with afia at ippe 2024

feed mill of the future - May 18 2022

web watch dr adam fahrenheit associate professor of feed milling at north carolina state university offer his thoughts on how feed producers can secure the industry s next

how microsoft s ai is making a mess of the news cnn business - Dec 01 2020

web 2 days ago anna bateson the chief executive of the guardian media group said in a sharply worded letter to microsoft and obtained by cnn that the auto generated poll was

siemens and microsoft launch industrial copilot for manufacturing - Sep 09 2021

web oct 31 2023 siemens is working with microsoft to bring more ai systems into the manufacturing industry the two companies are launching siemens industrial copilot

forever feed technologies and jr automation partner to - Apr 16 2022

web nov 1 2023 forever feed technologies has selected jr automation a global leader in advanced automated manufacturing to build climate positive indoor feed mills

fact sheet biden harris administration announces 31 - Jun 06 2021

web oct 23 2023 advanced pharmaceutical manufacturing tech hub va led by the commonwealth center for advanced manufacturing aims to accelerate the growth

feeds manufacturing technology pdf - Aug 01 2023

web feeds manufacturing technology garment manufacturing technology nov 11 2020 garment manufacturing technology provides an insiders look at this multifaceted

feed manufacturing technology afia - Sep 02 2023

web the feed manufacturing technology is a must have resource for everyone involved in the production and manufacture of feed for livestock poultry aquaculture horses and pets

governor hochul and majority leader schumer unveil ttm - Jan 02 2021

web nov 1 2023 governor kathy hochul and senate majority leader charles schumer today announced that ttm technologies inc a leading global manufacturer of technology

afia releases updated version of feed manufacturing technology - Jan 26 2023

web dec 14 2020 this resource is a must have for everyone involved in the production and manufacture of food for livestock poultry aquaculture horses and pets it is a great

afia releases updated feed manufacturing technology in - Jun 18 2022

web december 10 2020 the american feed industry association released today an updated feed manufacturing technology fmt as an online subscription as well as a printed

examining the future of feed manufacturing technology - Jun 30 2023

web feb 28 2022 learn about the 2024 half day event organized in partnership with afia at ippe 2024 bringing together the leading feed industry experts to examine emerging

process optimization in poultry feed mill scientific reports nature - Mar 16 2022

web jun 19 2023 full size image the basic feed manufacturing processes can be summarized in the following steps 10 a crushing it is the first step after receiving the

siemens to invest more than us 500 million in u s - Jul 08 2021

web nov 3 2023 munich germany dallas business wire today siemens announced an investment of us 150 million in a new high tech manufacturing plant in

feed manufacturing technology - Nov 11 2021

web feed manufacturing technology original edition of the most comprehensive reference manual available on the feed manufacturing industry published by the feed

feed manufacturing technology ppt slideshare - Dec 13 2021

web may 7 2016 560 views 37 slides recent developments in feeds and feeding practices bihar veterinary college bihar animal sciences university patna bihar india 1 5k

siemens to invest 510 million in us manufacturing texas plant - May 06 2021

web 1 day ago siemens ag will invest 510 million in new us manufacturing capacity including an electrical equipment plant in texas to expand its supply chain in north

future of feed mill innovation solves modern day challenges - Nov 23 2022

web dec 5 2022 each edition aims to provide animal feed industry stakeholders with forward looking content market insights and a spotlight on the leading edge technologies

feed manufacturing technology and feed intake in young pigs - Oct 11 2021

web jan 1 2009 the present review will focus on two main aspects of feed manufacturing 1 selection of feedstuffs with a focus on raw materials 1 of the diet or macro

feed technology an overview sciencedirect topics - Mar 28 2023

web feed technology involves the processing of ingredients and the manufacture of animal feeds and is an integral part of animal production systems to provide high quality and

biden harris administration designates tech hub in texoma - Mar 04 2021

web oct 23 2023 washington dc the biden harris administration through the u s department of commerce s economic development administration eda today

cia agent confession about aliens ufo s youtube - May 19 2022

web may 29 2015 the truth that s been hidden to the public about ufo s and extraterrestrial life unexplained aerial observations have been reported throughout history some

confession our hidden alien encounters revealed paperback - Jan 27 2023

web confession our hidden alien encounters revealed hastings robert jacobs dr bob amazon com au books

confession our hidden alien encounters revealed kindle - Feb 13 2022

web two well known figures in ufology ufos and nukes researcher robert hastings and military whistleblower dr bob jacobs

divulge their long hidden status as experiencers although hastings well respected work involves investigating still classified ufo incursions at american nuclear weapons sites and jacobs is best known for participating

confession our hidden alien encounters revealed softcover - Apr 29 2023

web confession our hidden alien encounters revealed by hastings robert jacobs dr bob isbn 10 1695688856 isbn 13 9781695688858 independently published 2019 softcover

confession our hidden alien encounters revealed thriftbooks - Jul 21 2022

web buy a cheap copy of confession our hidden alien encounters book by robert hastings free shipping on all orders over 15

confession our hidden alien encounters revealed journal of - Dec 26 2022

web may 2 2023 confession our hidden alien encounters revealed journal of scientific exploration vol 37 no 1 2023

confession our hidden alien encounters revealed

confession our hidden alien encounters revealed amazon - Aug 02 2023

web confession our hidden alien encounters revealed hastings robert jacobs dr bob amazon sg books

confession our hidden alien encounters revealed amazon com - Oct 24 2022

web confession our hidden alien encounters revealed by robert hastings write a review how customer reviews and ratings work top positive review all positive reviews mr mib describes the most important aspects of the ufo mystery true testimony from two key researchers reviewed in the united states on june 9 2020

isbn 9781695688858 confession our hidden alien encounters revealed - Nov 24 2022

web find 9781695688858 confession our hidden alien encounters revealed by hastings et al at over 30 bookstores buy rent or sell

confession our hidden alien encounters revealed - Jun 19 2022

web confession our hidden alien encounters revealed 9781695688858 two well known figures in ufology ufos and nukes researcher robert hastings and military whistleblower dr bob jacobs di 145 63 617kb english year 2020 report dmca copyright download file of 1 author uploaded robert hastings bob jacobs polecaj historie

confession our hidden alien encounters revealed kindle - Mar 29 2023

web confession our hidden alien encounters revealed ebook hastings robert jacobs bob amazon in kindle store

confession our hidden alien encounters revealed abebooks - Feb 25 2023

web confession our hidden alien encounters revealed by hastings robert jacobs dr bob at abebooks co uk isbn 10 1695688856 isbn 13 9781695688858 independently published 2019 softcover

confession our hidden alien encounters revealed researchgate - Jul 01 2023

web pdf on may 2 2023 don crosbie donderi published confession our hidden alien encounters revealed find read and cite all

the research you need on researchgate

facts about close encounters with aliens factinate - Apr 17 2022

web close encounters with aliens facts 21 blue streak on november 7th 2015 filmmaker and youtuber julien solomita was hanging out with his girlfriend the popular youtube comedian jenna marbles and a group of friends they were standing in a parking garage of a target store in los angeles as a mysterious blue object streaked across the sky

confession our hidden alien encounters revealed english - Sep 22 2022

web confession our hidden alien encounters revealed english edition ebook hastings robert jacobs bob amazon de kindle shop

confession our hidden alien encounters revealed paperback - May 31 2023

web buy confession our hidden alien encounters revealed by hastings robert jacobs dr bob isbn 9781695688858 from amazon s book store everyday low prices and free delivery on eligible orders

confession our hidden alien encounters revealed - Oct 04 2023

web jan 19 2020 confession our hidden alien encounters revealed kindle edition by hastings robert jacobs bob download it once and read it on your kindle device pc phones or tablets use features like bookmarks note taking and highlighting while reading confession our hidden alien encounters revealed

[confession our hidden alien encounters revealed](#) - Aug 22 2022

web oct 30 2019 confession our hidden alien encounters revealed by robert hastings dr bob jacobs click here for the lowest price paperback 9781695688858 1695688856

[top 10 real life alien encounters stories proof of aliens life](#) - Mar 17 2022

web feb 22 2016 here are such top 10 real life alien encounters collected from firsthand accounts of the abductees themselves no 10 disappearing of sonia a british woman called sonia had the feeling that she was abducted

confession our hidden alien encounters revealed amazon com - Sep 03 2023

web oct 30 2019 two well known figures in ufology ufos and nukes researcher robert hastings and military whistleblower dr bob jacobs divulge their long hidden status as experiencers