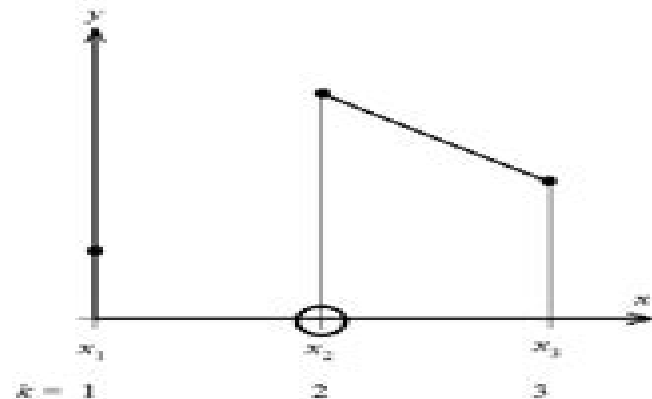


ME 1020: ENGINEERING PROGRAMMING WITH MATLAB FINAL EXAM

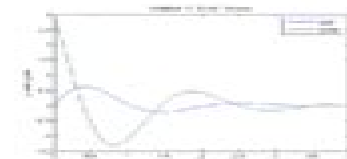
Open Book, Closed Notes, Do Not Write on this Sheet
Create a Separate MATLAB Script File for Each Problem
Submit all MATLAB files (.m) to Dr. Thomas
Each MATLAB File Must Have the Following Header:

```
1 % Final Exam, ME 1020, Spring 2016, Your Name Here
2 clc, clear all, close all
```

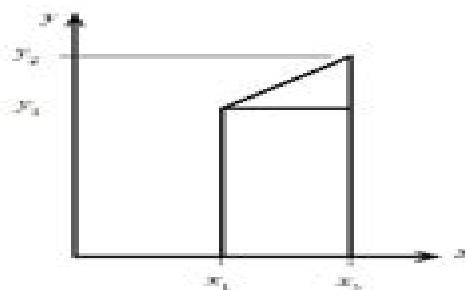
Problem 1 (4 Points): Create a MATLAB script file to calculate and plot the derivative of the function $y(x) = e^{-x} \sin(3x)$ from $0 \leq x \leq 4$ using the Forward Difference Method described in class (shown below). You must use a for loop to solve this problem. Provide a plot title and labels for the axes. Use 101 points from $x = 0$ to $x = 4$.



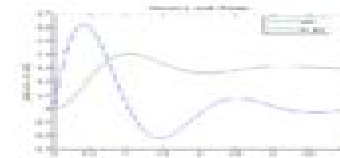
$$\left. \frac{dy}{dx} \right|_{x_2} = \frac{y_3 - y_2}{x_3 - x_2}$$



Problem 2 (4 Points): Create a MATLAB script file to calculate and plot the integral of the function $y(x) = e^{-x} \sin(3x)$ from $0 \leq x \leq 4$ using the Trapezoidal Method described in class (shown below). You must use a for loop to solve this problem. Provide a plot title and labels for the axes. Use 101 points from $x = 0$ to $x = 4$.



$$A_{\text{trapezoid}} = \frac{1}{2} (x_2 - x_1) (y_1 + y_2)$$



Matlab Final Exam And Answers

**Philippe R. Richard, M. Pilar
Vélez, Steven Van Vaerenbergh**

Matlab Final Exam And Answers:

Adopting the Melody of Term: An Psychological Symphony within **Matlab Final Exam And Answers**

In some sort of eaten by monitors and the ceaseless chatter of fast transmission, the melodic beauty and emotional symphony produced by the written term frequently diminish in to the background, eclipsed by the constant sound and distractions that permeate our lives. But, set within the pages of **Matlab Final Exam And Answers** a stunning fictional treasure overflowing with organic feelings, lies an immersive symphony waiting to be embraced. Crafted by a wonderful composer of language, this captivating masterpiece conducts viewers on a psychological journey, skillfully unraveling the concealed melodies and profound influence resonating within each cautiously crafted phrase. Within the depths with this moving examination, we will investigate the book is main harmonies, analyze their enthralling writing fashion, and submit ourselves to the profound resonance that echoes in the depths of readers souls.

https://py.bijouxmedusa.com/book/book-search/Documents/niv_complete_concordance.pdf

Table of Contents Matlab Final Exam And Answers

1. Understanding the eBook Matlab Final Exam And Answers
 - The Rise of Digital Reading Matlab Final Exam And Answers
 - Advantages of eBooks Over Traditional Books
2. Identifying Matlab Final Exam And Answers
 - Exploring Different Genres
 - Considering Fiction vs. Non-Fiction
 - Determining Your Reading Goals
3. Choosing the Right eBook Platform
 - Popular eBook Platforms
 - Features to Look for in an Matlab Final Exam And Answers
 - User-Friendly Interface
4. Exploring eBook Recommendations from Matlab Final Exam And Answers
 - Personalized Recommendations

- Matlab Final Exam And Answers User Reviews and Ratings
- Matlab Final Exam And Answers and Bestseller Lists
- 5. Accessing Matlab Final Exam And Answers Free and Paid eBooks
 - Matlab Final Exam And Answers Public Domain eBooks
 - Matlab Final Exam And Answers eBook Subscription Services
 - Matlab Final Exam And Answers Budget-Friendly Options
- 6. Navigating Matlab Final Exam And Answers eBook Formats
 - ePub, PDF, MOBI, and More
 - Matlab Final Exam And Answers Compatibility with Devices
 - Matlab Final Exam And Answers Enhanced eBook Features
- 7. Enhancing Your Reading Experience
 - Adjustable Fonts and Text Sizes of Matlab Final Exam And Answers
 - Highlighting and Note-Taking Matlab Final Exam And Answers
 - Interactive Elements Matlab Final Exam And Answers
- 8. Staying Engaged with Matlab Final Exam And Answers
 - Joining Online Reading Communities
 - Participating in Virtual Book Clubs
 - Following Authors and Publishers Matlab Final Exam And Answers
- 9. Balancing eBooks and Physical Books Matlab Final Exam And Answers
 - Benefits of a Digital Library
 - Creating a Diverse Reading Collection Matlab Final Exam And Answers
- 10. Overcoming Reading Challenges
 - Dealing with Digital Eye Strain
 - Minimizing Distractions
 - Managing Screen Time
- 11. Cultivating a Reading Routine Matlab Final Exam And Answers
 - Setting Reading Goals Matlab Final Exam And Answers
 - Carving Out Dedicated Reading Time
- 12. Sourcing Reliable Information of Matlab Final Exam And Answers
 - Fact-Checking eBook Content of Matlab Final Exam And Answers

- Distinguishing Credible Sources
13. Promoting Lifelong Learning
- Utilizing eBooks for Skill Development
 - Exploring Educational eBooks
14. Embracing eBook Trends
- Integration of Multimedia Elements
 - Interactive and Gamified eBooks

Matlab Final Exam And Answers Introduction

In the digital age, access to information has become easier than ever before. The ability to download Matlab Final Exam And Answers has revolutionized the way we consume written content. Whether you are a student looking for course material, an avid reader searching for your next favorite book, or a professional seeking research papers, the option to download Matlab Final Exam And Answers has opened up a world of possibilities. Downloading Matlab Final Exam And Answers provides numerous advantages over physical copies of books and documents. Firstly, it is incredibly convenient. Gone are the days of carrying around heavy textbooks or bulky folders filled with papers. With the click of a button, you can gain immediate access to valuable resources on any device. This convenience allows for efficient studying, researching, and reading on the go. Moreover, the cost-effective nature of downloading Matlab Final Exam And Answers has democratized knowledge. Traditional books and academic journals can be expensive, making it difficult for individuals with limited financial resources to access information. By offering free PDF downloads, publishers and authors are enabling a wider audience to benefit from their work. This inclusivity promotes equal opportunities for learning and personal growth. There are numerous websites and platforms where individuals can download Matlab Final Exam And Answers. These websites range from academic databases offering research papers and journals to online libraries with an expansive collection of books from various genres. Many authors and publishers also upload their work to specific websites, granting readers access to their content without any charge. These platforms not only provide access to existing literature but also serve as an excellent platform for undiscovered authors to share their work with the world. However, it is essential to be cautious while downloading Matlab Final Exam And Answers. Some websites may offer pirated or illegally obtained copies of copyrighted material. Engaging in such activities not only violates copyright laws but also undermines the efforts of authors, publishers, and researchers. To ensure ethical downloading, it is advisable to utilize reputable websites that prioritize the legal distribution of content. When downloading Matlab Final Exam And Answers, users should also consider the potential security risks associated with online platforms. Malicious actors may exploit vulnerabilities in unprotected websites to distribute malware or steal personal

information. To protect themselves, individuals should ensure their devices have reliable antivirus software installed and validate the legitimacy of the websites they are downloading from. In conclusion, the ability to download Matlab Final Exam And Answers has transformed the way we access information. With the convenience, cost-effectiveness, and accessibility it offers, free PDF downloads have become a popular choice for students, researchers, and book lovers worldwide. However, it is crucial to engage in ethical downloading practices and prioritize personal security when utilizing online platforms. By doing so, individuals can make the most of the vast array of free PDF resources available and embark on a journey of continuous learning and intellectual growth.

FAQs About Matlab Final Exam And Answers Books

1. Where can I buy Matlab Final Exam And Answers books? Bookstores: Physical bookstores like Barnes & Noble, Waterstones, and independent local stores. Online Retailers: Amazon, Book Depository, and various online bookstores offer a wide range of books in physical and digital formats.
2. What are the different book formats available? Hardcover: Sturdy and durable, usually more expensive. Paperback: Cheaper, lighter, and more portable than hardcovers. E-books: Digital books available for e-readers like Kindle or software like Apple Books, Kindle, and Google Play Books.
3. How do I choose a Matlab Final Exam And Answers book to read? Genres: Consider the genre you enjoy (fiction, non-fiction, mystery, sci-fi, etc.). Recommendations: Ask friends, join book clubs, or explore online reviews and recommendations. Author: If you like a particular author, you might enjoy more of their work.
4. How do I take care of Matlab Final Exam And Answers books? Storage: Keep them away from direct sunlight and in a dry environment. Handling: Avoid folding pages, use bookmarks, and handle them with clean hands. Cleaning: Gently dust the covers and pages occasionally.
5. Can I borrow books without buying them? Public Libraries: Local libraries offer a wide range of books for borrowing. Book Swaps: Community book exchanges or online platforms where people exchange books.
6. How can I track my reading progress or manage my book collection? Book Tracking Apps: Goodreads, LibraryThing, and Book Catalogue are popular apps for tracking your reading progress and managing book collections. Spreadsheets: You can create your own spreadsheet to track books read, ratings, and other details.
7. What are Matlab Final Exam And Answers audiobooks, and where can I find them? Audiobooks: Audio recordings of books, perfect for listening while commuting or multitasking. Platforms: Audible, LibriVox, and Google Play Books offer

- a wide selection of audiobooks.
8. How do I support authors or the book industry? Buy Books: Purchase books from authors or independent bookstores. Reviews: Leave reviews on platforms like Goodreads or Amazon. Promotion: Share your favorite books on social media or recommend them to friends.
 9. Are there book clubs or reading communities I can join? Local Clubs: Check for local book clubs in libraries or community centers. Online Communities: Platforms like Goodreads have virtual book clubs and discussion groups.
 10. Can I read Matlab Final Exam And Answers books for free? Public Domain Books: Many classic books are available for free as they're in the public domain. Free E-books: Some websites offer free e-books legally, like Project Gutenberg or Open Library.

Find Matlab Final Exam And Answers :

~~niv complete concordance~~

operations management chase jacobs aquilano 12th edition

~~nota padat ringkas matematik tingkatan 5 spm dalam~~

~~nosotros trading y bolsa para torpes cursos de trading~~

norton anthology english literature 9th edition vol

normas asme b30 cranesandrigging cl

~~operation naxalism~~

~~nubile sex ass licking charmi fucking small butts nude~~

nonlinear control and analytical mechanics a computational approach control engineering

nissan patrol petrol diesel automatic manual complete workshop service repair manual 1998 1999 2000 2001 2002 2003 2004

november grade 11 english paper 1

objective questions answers in lathe machine

oil and gas economics books pdf download

norsk etymologisk ordbok

nfpa fire protection handbook 19th edition download

Matlab Final Exam And Answers :

1. AB Calculus - Step-by-Step Name Write, but do not solve, an equation involving an integral expression whose solution k would be the number of days the height of the snow would be half of its ... Step by Step Student Let f be a twice-differentiable function defined on the interval $0.5 < x < 4.5$ with $f(2) = 3$. The graph of f , the derivative of f is shown to the right.

70. AB Calculus - Step-by-Step Name Stu Schwartz. 70. AB Calculus - Step-by-Step. Name ... Describe the region in the xy -plane in which all the solutions to the differential equation are concave ... ABReview Stu Schwartz AB Calculus Exam - Review Sheet - Solutions. A. Precalculus Type problems ... $f(x)$. Step 1: Find $f'(x)$. If you get a zero in the denominator,. Step 2 ... Diff EQ Practice.pdf - 70. AB Calculus - Step-by-Step Name View Diff_EQ_Practice.pdf from MATH 1300 at Brooklyn College, CUNY. 70. AB Calculus - Step-by-Step Name _ Consider the differential equation $dy/dx + 1 = y$. dx ... AB Calculus Manual (Revised 12/2019) This manual can easily replace an expensive textbook. Teachers teach right from it and students write in it. The Solution Manual is exactly the same as the ... AB Calculus - Step-by-Step - 24. Function Analysis There is a relative maximum at $x=2$ as f' switches from positive to negative. b. On what intervals is the graph of f concave upward? Justify your answers. (2). img-X26071655-0001 - 24. AB Calculus Step-by- ... View img-X26071655-0001 from MATH 2215 at Cameron University. 24. AB Calculus Step-by-Step Name The figure to the right shows the graph of f , the derivative ... MasterMathMentor AB31 - Definite Integrals with u -Substitution MMM AB Calculus MasterMath Mentor AB0102 - Intro to Calculus / Tangent line problem. Stu Schwartz · 28:56. MasterMathMentor AB03 - Rates of Change. chapter 15 air, weather, and climate Students need to know the basic composition of the atmosphere. They should know that the atmosphere is mostly nitrogen, approximately 78%. In. 015 Air Weather and Climate Chapter 15: Air, Weather, and Climate. Student ... seasonal changes in air temperature and humidity. E. movement of tectonic plates. 29. Due to the influence ... Air Pollution, Climate Change, and Ozone Depletion Chapter 15. Air Pollution,. Climate. Change, and. Ozone. Depletion. Page 2. © 2019 ... Weather, Climate, and Change. • Weather: short-term changes in atmospheric. AP Environmental Science Chapter 15 Air, Weather, and ... Study with Quizlet and memorize flashcards containing terms like Is Antarctica Melting?, The Atmosphere and Climate, Weather and more. Chapter 15: Weather and Climate A measure of how close the air is to dew point is . 59. The day-to-day change in temperature and precipitation makes up an area's . 60. Gases in the atmosphere ... A World of Weather: Chapter 15 Introduction We can see and feel weather: the day-long rain, the cold slap of Arctic air, the gusty afternoon winds, or the sudden snow squall. Climate, in contrast, is ... Weather and Climate Chapter 15 Flashcards Study with Quizlet and memorize flashcards containing terms like climate, climatic normal, Koeppen system and more. Chapter 15 Air, Weather, and Climate Jul 19, 2014 — Weather and Climate. How does the Sun affect Earth's atmosphere? How does atmospheric pressure distribute energy? How do global wind belts ... Smoldering Ashes: Cuzco and... by Walker, Charles F. Smoldering Ashes: Cuzco and... by Walker, Charles F. Smoldering Ashes by CF Walker · Cited by 26 — In Smoldering Ashes Charles F.

Walker interprets the end of Spanish domination in Peru and that country's shaky transition to an autonomous republican state ... Smoldering Ashes: Cuzco and the Creation of Republican ... With its focus on Cuzco, the former capital of the Inca Empire, Smoldering Ashes highlights the promises and frustrations of a critical period whose long shadow ... Cuzco and the Creation of Republican Peru, 1780-1840 Description. In Smoldering Ashes Charles F. Walker interprets the end of Spanish domination in Peru and that country's shaky transition to an autonomous ... Cuzco and the Creation of Republican Peru, 1780-1840 (... by DP Cahill · 2000 — Smoldering Ashes: Cuzco and the Creation of Republican Peru, 1780-1840. By charles f. walker. Latin America Otherwise: Languages, Empires, Nations. Durham ... Cuzco and the Creation of Republican Peru, 1780-1840 ... In Smoldering Ashes Charles F. Walker interprets the end of Spanish domination in Peru and that country's shaky transition to an autonomous republican state ... Cuzco and the Creation of Republican Peru, 1780-1840 Charles F. Walker. Smoldering Ashes: Cuzco and the Creation of Republican Peru, 1780-1840. Durham: Duke University Press, 1999. xiii + 330 pp. Cuzco and the creation of Republican Peru, 1780-1840 With its focus on Cuzco, the former capital of the Inca Empire, this book highlights the promises and frustrations of a critical period whose long shadow ... Cuzco and the creation of Republican Peru, 1780-1840 / ... Smoldering ashes : Cuzco and the creation of Republican Peru, 1780-1840 / Charles F. Walker. Smithsonian Libraries and Archives. Social Media Share Tools. Smoldering Ashes: Cuzco and the Creation of Republican ... Smoldering Ashes: Cuzco and the Creation of Republican Peru, 1780-1840 (Very likely signed by the author). 37 ratings by Goodreads · Charles F. Walker.