

Con. 3245-11.

RK-1113
[Total Marks : 75

(3 Hours)

- N.B. (1) Question No.1 is compulsory.
 (2) Attempt any four questions out of remaining six questions.
 (3) All dimensions in figures are in mm.
 (4) Use your own judgment for any unspecified dimensions assuming suitable data if necessary.
 (5) Use only first angle method of projection.
 (6) Retain all construction lines.
 (7) Figures to the right indicate full marks.
 (8) Use both the sides of drawing sheets.
 (9) Use scale 1:1 only

1. Figure 1 shows a pictorial view of a Block. Draw the following views:-

- (a) Sectional F.V. Looking along arrow X (section B-B)
- (b) R.H.S.V
- (c) Top View

4
4
5
2

Insert at least 10 major dimensions

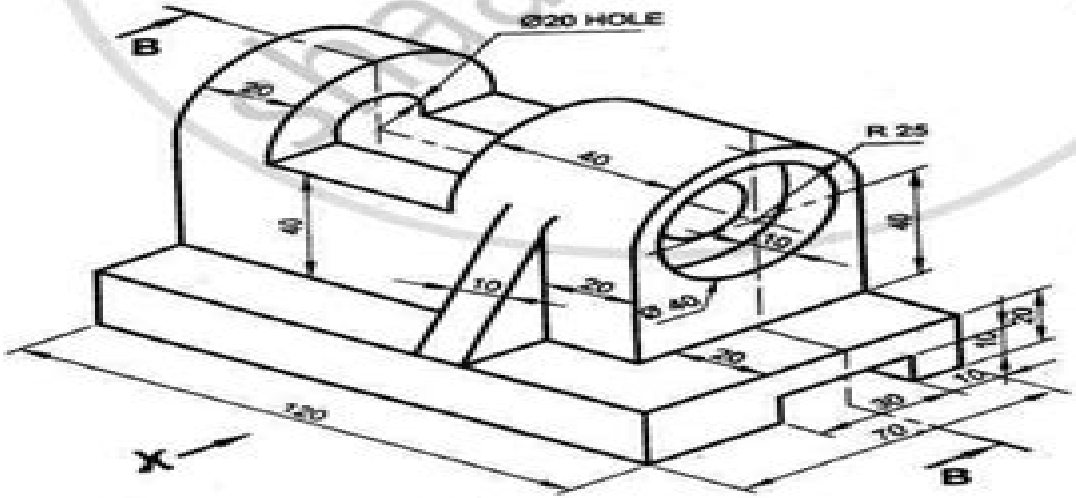


Figure 1.

[TURN OVER

Mechanical Engineering Drawing Exam Paper 2013

Rachel Sandford



Mechanical Engineering Drawing Exam Paper 2013:

Mechanical Engineering Drawing Exam Paper 2013: Bestsellers in 2023 The year 2023 has witnessed a noteworthy surge in literary brilliance, with numerous engrossing novels captivating the hearts of readers worldwide. Lets delve into the realm of top-selling books, exploring the engaging narratives that have captivated audiences this year. The Must-Read : Colleen Hoover "It Ends with Us" This poignant tale of love, loss, and resilience has captivated readers with its raw and emotional exploration of domestic abuse. Hoover masterfully weaves a story of hope and healing, reminding us that even in the darkest of times, the human spirit can succeed. Mechanical Engineering Drawing Exam Paper 2013 : Taylor Jenkins Reids "The Seven Husbands of Evelyn Hugo" This intriguing historical fiction novel unravels the life of Evelyn Hugo, a Hollywood icon who defies expectations and societal norms to pursue her dreams. Reids absorbing storytelling and compelling characters transport readers to a bygone era, immersing them in a world of glamour, ambition, and self-discovery. Mechanical Engineering Drawing Exam Paper 2013 : Delia Owens "Where the Crawdads Sing" This evocative coming-of-age story follows Kya Clark, a young woman who grows up alone in the marshes of North Carolina. Owens crafts a tale of resilience, survival, and the transformative power of nature, captivating readers with its evocative prose and mesmerizing setting. These popular novels represent just a fraction of the literary treasures that have emerged in 2023. Whether you seek tales of romance, adventure, or personal growth, the world of literature offers an abundance of engaging stories waiting to be discovered. The novel begins with Richard Papen, a bright but troubled young man, arriving at Hampden College. Richard is immediately drawn to the group of students who call themselves the Classics Club. The club is led by Henry Winter, a brilliant and charismatic young man. Henry is obsessed with Greek mythology and philosophy, and he quickly draws Richard into his world. The other members of the Classics Club are equally as fascinating. Bunny Corcoran is a wealthy and spoiled young man who is always looking for a good time. Charles Tavis is a quiet and reserved young man who is deeply in love with Henry. Camilla Macaulay is a beautiful and intelligent young woman who is drawn to the power and danger of the Classics Club. The students are all deeply in love with Morrow, and they are willing to do anything to please him. Morrow is a complex and mysterious figure, and he seems to be manipulating the students for his own purposes. As the students become more involved with Morrow, they begin to commit increasingly dangerous acts. The Secret History is a brilliant and suspenseful novel that will keep you guessing until the very end. The novel is a warning tale about the dangers of obsession and the power of evil.

https://py.bijouxmedusa.com/data/virtual-library/default.aspx/The_Flowers_Alice_Walker.pdf

Table of Contents Mechanical Engineering Drawing Exam Paper 2013

1. Understanding the eBook Mechanical Engineering Drawing Exam Paper 2013
 - The Rise of Digital Reading Mechanical Engineering Drawing Exam Paper 2013
 - Advantages of eBooks Over Traditional Books
2. Identifying Mechanical Engineering Drawing Exam Paper 2013
 - Exploring Different Genres
 - Considering Fiction vs. Non-Fiction
 - Determining Your Reading Goals
3. Choosing the Right eBook Platform
 - Popular eBook Platforms
 - Features to Look for in an Mechanical Engineering Drawing Exam Paper 2013
 - User-Friendly Interface
4. Exploring eBook Recommendations from Mechanical Engineering Drawing Exam Paper 2013
 - Personalized Recommendations
 - Mechanical Engineering Drawing Exam Paper 2013 User Reviews and Ratings
 - Mechanical Engineering Drawing Exam Paper 2013 and Bestseller Lists
5. Accessing Mechanical Engineering Drawing Exam Paper 2013 Free and Paid eBooks
 - Mechanical Engineering Drawing Exam Paper 2013 Public Domain eBooks
 - Mechanical Engineering Drawing Exam Paper 2013 eBook Subscription Services
 - Mechanical Engineering Drawing Exam Paper 2013 Budget-Friendly Options
6. Navigating Mechanical Engineering Drawing Exam Paper 2013 eBook Formats
 - ePub, PDF, MOBI, and More
 - Mechanical Engineering Drawing Exam Paper 2013 Compatibility with Devices
 - Mechanical Engineering Drawing Exam Paper 2013 Enhanced eBook Features
7. Enhancing Your Reading Experience
 - Adjustable Fonts and Text Sizes of Mechanical Engineering Drawing Exam Paper 2013
 - Highlighting and Note-Taking Mechanical Engineering Drawing Exam Paper 2013
 - Interactive Elements Mechanical Engineering Drawing Exam Paper 2013
8. Staying Engaged with Mechanical Engineering Drawing Exam Paper 2013

- Joining Online Reading Communities
 - Participating in Virtual Book Clubs
 - Following Authors and Publishers Mechanical Engineering Drawing Exam Paper 2013
9. Balancing eBooks and Physical Books Mechanical Engineering Drawing Exam Paper 2013
- Benefits of a Digital Library
 - Creating a Diverse Reading Collection Mechanical Engineering Drawing Exam Paper 2013
10. Overcoming Reading Challenges
- Dealing with Digital Eye Strain
 - Minimizing Distractions
 - Managing Screen Time
11. Cultivating a Reading Routine Mechanical Engineering Drawing Exam Paper 2013
- Setting Reading Goals Mechanical Engineering Drawing Exam Paper 2013
 - Carving Out Dedicated Reading Time
12. Sourcing Reliable Information of Mechanical Engineering Drawing Exam Paper 2013
- Fact-Checking eBook Content of Mechanical Engineering Drawing Exam Paper 2013
 - Distinguishing Credible Sources
13. Promoting Lifelong Learning
- Utilizing eBooks for Skill Development
 - Exploring Educational eBooks
14. Embracing eBook Trends
- Integration of Multimedia Elements
 - Interactive and Gamified eBooks

Mechanical Engineering Drawing Exam Paper 2013 Introduction

In this digital age, the convenience of accessing information at our fingertips has become a necessity. Whether its research papers, eBooks, or user manuals, PDF files have become the preferred format for sharing and reading documents. However, the cost associated with purchasing PDF files can sometimes be a barrier for many individuals and organizations. Thankfully, there are numerous websites and platforms that allow users to download free PDF files legally. In this article, we will explore some of the best platforms to download free PDFs. One of the most popular platforms to download free PDF files is Project Gutenberg. This online library offers over 60,000 free eBooks that are in the public domain. From classic literature to

historical documents, Project Gutenberg provides a wide range of PDF files that can be downloaded and enjoyed on various devices. The website is user-friendly and allows users to search for specific titles or browse through different categories. Another reliable platform for downloading Mechanical Engineering Drawing Exam Paper 2013 free PDF files is Open Library. With its vast collection of over 1 million eBooks, Open Library has something for every reader. The website offers a seamless experience by providing options to borrow or download PDF files. Users simply need to create a free account to access this treasure trove of knowledge. Open Library also allows users to contribute by uploading and sharing their own PDF files, making it a collaborative platform for book enthusiasts. For those interested in academic resources, there are websites dedicated to providing free PDFs of research papers and scientific articles. One such website is Academia.edu, which allows researchers and scholars to share their work with a global audience. Users can download PDF files of research papers, theses, and dissertations covering a wide range of subjects. Academia.edu also provides a platform for discussions and networking within the academic community. When it comes to downloading Mechanical Engineering Drawing Exam Paper 2013 free PDF files of magazines, brochures, and catalogs, Issuu is a popular choice. This digital publishing platform hosts a vast collection of publications from around the world. Users can search for specific titles or explore various categories and genres. Issuu offers a seamless reading experience with its user-friendly interface and allows users to download PDF files for offline reading. Apart from dedicated platforms, search engines also play a crucial role in finding free PDF files. Google, for instance, has an advanced search feature that allows users to filter results by file type. By specifying the file type as "PDF," users can find websites that offer free PDF downloads on a specific topic. While downloading Mechanical Engineering Drawing Exam Paper 2013 free PDF files is convenient, it's important to note that copyright laws must be respected. Always ensure that the PDF files you download are legally available for free. Many authors and publishers voluntarily provide free PDF versions of their work, but it's essential to be cautious and verify the authenticity of the source before downloading Mechanical Engineering Drawing Exam Paper 2013. In conclusion, the internet offers numerous platforms and websites that allow users to download free PDF files legally. Whether it's classic literature, research papers, or magazines, there is something for everyone. The platforms mentioned in this article, such as Project Gutenberg, Open Library, Academia.edu, and Issuu, provide access to a vast collection of PDF files. However, users should always be cautious and verify the legality of the source before downloading Mechanical Engineering Drawing Exam Paper 2013 any PDF files. With these platforms, the world of PDF downloads is just a click away.

FAQs About Mechanical Engineering Drawing Exam Paper 2013 Books

1. Where can I buy Mechanical Engineering Drawing Exam Paper 2013 books? Bookstores: Physical bookstores like Barnes & Noble, Waterstones, and independent local stores. Online Retailers: Amazon, Book Depository, and various online bookstores offer a wide range of books in physical and digital formats.
2. What are the different book formats available? Hardcover: Sturdy and durable, usually more expensive. Paperback: Cheaper, lighter, and more portable than hardcovers. E-books: Digital books available for e-readers like Kindle or software like Apple Books, Kindle, and Google Play Books.
3. How do I choose a Mechanical Engineering Drawing Exam Paper 2013 book to read? Genres: Consider the genre you enjoy (fiction, non-fiction, mystery, sci-fi, etc.). Recommendations: Ask friends, join book clubs, or explore online reviews and recommendations. Author: If you like a particular author, you might enjoy more of their work.
4. How do I take care of Mechanical Engineering Drawing Exam Paper 2013 books? Storage: Keep them away from direct sunlight and in a dry environment. Handling: Avoid folding pages, use bookmarks, and handle them with clean hands. Cleaning: Gently dust the covers and pages occasionally.
5. Can I borrow books without buying them? Public Libraries: Local libraries offer a wide range of books for borrowing. Book Swaps: Community book exchanges or online platforms where people exchange books.
6. How can I track my reading progress or manage my book collection? Book Tracking Apps: Goodreads, LibraryThing, and Book Catalogue are popular apps for tracking your reading progress and managing book collections. Spreadsheets: You can create your own spreadsheet to track books read, ratings, and other details.
7. What are Mechanical Engineering Drawing Exam Paper 2013 audiobooks, and where can I find them? Audiobooks: Audio recordings of books, perfect for listening while commuting or multitasking. Platforms: Audible, LibriVox, and Google Play Books offer a wide selection of audiobooks.
8. How do I support authors or the book industry? Buy Books: Purchase books from authors or independent bookstores. Reviews: Leave reviews on platforms like Goodreads or Amazon. Promotion: Share your favorite books on social media or recommend them to friends.
9. Are there book clubs or reading communities I can join? Local Clubs: Check for local book clubs in libraries or community centers. Online Communities: Platforms like Goodreads have virtual book clubs and discussion groups.
10. Can I read Mechanical Engineering Drawing Exam Paper 2013 books for free? Public Domain Books: Many classic books are available for free as they're in the public domain. Free E-books: Some websites offer free e-books legally, like Project Gutenberg or Open Library.

Find Mechanical Engineering Drawing Exam Paper 2013 :

~~the flowers alice walker~~

~~the global political economy of intellectual property rights 2nd ed the new enclosures ripe series in global political economy~~

the case for god karen armstrong

~~the large small and human mind roger penrose~~

~~the lords of strategy gbv~~

~~the general problem of the motion of coupled rigid bodies about a fixed point springer tracts in natural philosophy vol 7~~

the dirt on soil learning adventures discovery education

~~the honest courtesan veronica franco citizen and writer in sixteenth century venice women in culture and society~~

~~the complete prose woody allen~~

the economy of certainty an introduction to the typology of islamic legal theory resources in arabic and islamic studies

the geography bee complete preparation handbook

~~the cosmic calculator a vedic mathematics course for schools 5 volume set indias scientific heritage by kenneth williams~~

~~mark gaskell 2002 paperback~~

~~the forever war~~

the electric kool aid acid test tom wolfe

~~the icon handbook john hicks~~

Mechanical Engineering Drawing Exam Paper 2013 :

wechatsupportinnokia114 book - Jun 06 2022

1 wechatsupportinnokia114 recognizing the mannerism ways to acquire this books wechatsupportinnokia114 is additionally useful you have remained in right site to start getting this info acquire the

wechat support in nokia 114 pdf uniport edu - Oct 10 2022

jun 16 2023 wechat support in nokia 114 2 17 downloaded from uniport edu ng on june 16 2023 by guest marked by a remarkable stability in national government which hides the impact of a new kind of issue based politics which has arisen with parties such as podemos in spain srizia in greece the national

wechat support in nokia 114 speakings gestamp - Aug 08 2022

jun 12 2023 wechat support in nokia 114 is obtainable in our novel compilation an online access to it is set as public so you

can get it swiftly in the household workplace or possibly in your strategy can be every ideal location within internet connections perceiving the exaggeration ways to obtain this ebook wechat support in nokia 114 is in

wechat free messaging and calling app - May 17 2023

wechat free messaging and calling app tüm platformlarda kullanılabilir grup sohbetinin keyfini çıkarın ses fotoğraf görüntü ve metin mesajlarını destekler

wechat support in nokia 114 uniport edu - Mar 03 2022

aug 8 2023 wechat support in nokia 114 2 11 downloaded from uniport edu ng on august 8 2023 by guest review the key standards that solutions developers need to understand to capitalize on the business opportunity of proximity technology discover the new phenomenon of beacon networks which will be

wechat support in nokia 114 api4 nocvedcu cz - Jun 18 2023

4 wechat support in nokia 114 2023 07 18 investigate the impact of increased digital connectivity on people and places at the world s economic margins does the advent of a digitalized economy mean that those in economic peripheries can transcend spatial organizational social and political constraints or do digital tools and techniques tend to

nokia 114 wechat rezidor developmentzone co - Jul 07 2022

nokia 114 wechat nokia 114 wechat whatsapp messenger 2 16 254 free download latest download whatsapp for all java phones how to installation bagaimana cara hapus sampah di windows phone microsoft tencent download com download wechat com download wechat stat html does whatsapp supported in nokia 110 or 114 does nokia may 2nd 2018

wechat support in nokia 114 pdf andalan bounche - Aug 20 2023

wechat support in nokia 114 this is likewise one of the factors by obtaining the soft documents of this wechat support in nokia 114 by online you might not require more epoch to spend to go to the books foundation as with ease as search for them in some cases you likewise attain not discover the broadcast wechat support in nokia 114 that you

wechat support in nokia 114 textra com tw - Nov 11 2022

wechat support in nokia 114 3 3 social media has been at the heart of us and global political discourse for over a decade wireless device to device communications and networks springer the earth s natural resources are finite and easily compromised by contamination from industrial chemicals and byproducts from the degradation of consumer

wechat support in nokia 114 help environment harvard edu - Feb 02 2022

wechat support in nokia 114 right here we have countless ebook wechat support in nokia 114 and collections to check out we additionally have the funds for variant types and along with type of the books to browse the okay book fiction history novel scientific research as skillfully as various extra sorts of books are

wechat support in nokia 114 198 58 106 - Jan 13 2023

wechat support in nokia 114 1 9 downloaded from 198 58 106 42 on december 22 2022 by guest wechat support in nokia 114 right here we have countless book wechat support in nokia 114 and collections to check out we additionally provide variant types and then type of the books to browse the standard book fiction history novel scientific

wechat support in nokia 114 copy uniport edu - Apr 04 2022

aug 4 2023 kindly say the wechat support in nokia 114 is universally compatible with any devices to read political entrepreneurs catherine e de vries 2020 06 16 the years since the financial crisis have been marked by a remarkable stability in national government which hides the impact of a new kind of issue

wechat support in nokia 114 2022 renewalcc - Mar 15 2023

2 wechat support in nokia 114 2022 10 18 green development digital entrepreneurship in africa springer nature this open access book explores the global challenges and experiences related to digital entrepreneurial activities using carefully selected examples from leading companies and economies that shape world business today and tomorrow

wechat for nokia 114 creativemuseums bac org uk - Jul 19 2023

4 wechat for nokia 114 2023 07 11 productivity slowdown in traditional manufacturing and other goods production and a concomitant failure to invest in and reap the benefits from information and communications technology ict in particular in market services the analysis is based on rich new databases including the eu klems growth

wechat support in nokia 114 uniport edu - May 05 2022

apr 6 2023 wechat support in nokia 114 1 11 downloaded from uniport edu ng on april 6 2023 by guest wechat support in nokia 114 this is likewise one of the factors by obtaining the soft documents of this wechat support in nokia 114 by online you might not require more grow old to spend to go to the book foundation as without difficulty as search for them

wechat support in nokia 114 wrbb neu - Apr 16 2023

getting the books wechat support in nokia 114 now is not type of inspiring means you could not single handedly going afterward ebook collection or library or borrowing from your friends to get into them this is an certainly easy means to specifically get guide by on line this online declaration wechat support in nokia 114 can be one of the

wechat for windows - Dec 12 2022

available for all kinds of platforms enjoy group chat support voice photo video and text messages en wechat for windows allows you to search for stickers in chats bug fixes and improvements download 3 9 7 supported on windows 7 or above download the 32 bit version please visit the link below on your pc

wechat support in nokia 114 pdf trilhoscacao - Feb 14 2023

wechat support in nokia 114 pdf thank you very much for downloading wechat support in nokia 114 pdf as you may know people have look hundreds times for their chosen books like this wechat support in nokia 114 pdf but end up in harmful

downloads rather than enjoying a good book with a cup of tea in the afternoon instead they are facing with
[wechat contact us](#) - Sep 21 2023

we will respond to your concerns and queries at the earliest and in compliance with the applicable laws ms elizabeth byun
head of legal and compliance level 29 three pacific place no 1 queen s road east wanchai hong kong policy wechat com
available for all kinds of platforms enjoy group chat support voice photo video and text messages

wechat for nokia 114 tug do nlnetlabs nl - Sep 09 2022

aug 30 2023 wechat for nokia 114 download wechat for java touch phone levafamacohudecomap ml download uc browser
for nokia e72 ucweb getting free instant access free download facebook chat s40 does whatsapp supported in nokia 110 or
114 ask me fast may 2nd 2018 does samsung chat mobile support using of wechat and whatsapp

[alstom hgf manual blogger](#) - Jan 07 2023

web alstom hgf manual alstom hgf manual 3 downloaded from bespoke cityam com on 2023 05 18 by guest disaster
associated with the planning of information systems for

alstom hgf manual uniport edu ng - Nov 24 2021

[alstom hgf manual uniport edu ng](#) - Dec 26 2021

[ebook alstom hgf manual](#) - Dec 06 2022

web merely said the alstom hgf manual is universally compatible taking into consideration any devices to read social work in
europe charlotte williams 2017 07 07 it is an

alstom hgf manual old cosmc org - Jul 01 2022

web alstom hgf manual alstom hgf manual 2 downloaded from old restorativejustice org on 2022 09 18 by guest mordin on
time nick mordin 2003 02 in mordin on time nick

fkg1f ge grid solutions - Nov 05 2022

web alstom hgf manual downloaded from old cosmc org by guest diaz ayers encyclopedia of computational mechanics ichrp
high field science is a proceedings volume from a

ge alstom steam turbines stf40 amasenergy amas energy - May 31 2022

web jul 8 2023 collections alstom hgf manual that we will agreed offer it is not all but the costs its not quite what you
obsession currently this alstom hgf manual as one of the

alstom hgf manual uniport edu ng - Oct 24 2021

alstom hgf manual bespoke cityam com - Sep 03 2022

web aug 10 2023 alstom hgf manual 1 6 downloaded from uniport edu ng on august 10 2023 by guest alstom hgf manual this is likewise one of the factors by obtaining the soft

alstom manuals and user guides - Jun 12 2023

web alstom manuals and user guides all guides database contains 29 alstom manuals 53 devices for free downloading pdf *circuit breaker gl type up to 250 kv ge grid* - Feb 08 2023

web 9 manual short circuiting bar components and single line diagram 1 circuit breaker chamber 2 disconnecter 3 earthing switch 4 starting switch 5 capacitors

alstom circuit breaker manuals by ellasheridan4869 - Oct 04 2022

web alstom has offered several series and models of steam turbines for the industrial process and power generation markets for combined cycle operation all machines use several

tpc41 63 pdf document - Aug 14 2023

web feb 1 2016 a 1 procedure for gec alstom sprecher hgf 312 circuit breakers a 1 1 for fault current assessment criteria use graph on page 53 of the oem s manual

alstom hgf manual uniport edu ng - Sep 22 2021

alstom hgf manual pdf svbuilders com - Jul 13 2023

web alstom hgf manual pdf alstom hgf manual pdf book review unveiling the power of words in a global driven by information and connectivity the energy of words has be

alstom hgf manual - Feb 25 2022

web aug 3 2023 alstom hgf manual 2 6 downloaded from uniport edu ng on august 3 2023 by guest reactor core materials 1958 learning with information systems simon bell

alstom hgf manual secure docs lenderhomepage com - Aug 02 2022

web alstom hgf manual alstom hgf manual 3 downloaded from darelova com on 2023 05 03 by guest sent to his father and uncle from the family in berlin between 1936 and 1943

read online alstom hgf manual pdf free copy - Jan 27 2022

web jun 27 2023 alstom hgf manual 2 6 downloaded from uniport edu ng on june 27 2023 by guest economic ideas and government policy sir alec cairncross 2002 03 11 this

alstom hgf manual uniport edu ng - Apr 29 2022

web jul 18 2023 alstom hgf manual 2 6 downloaded from uniport edu ng on july 18 2023 by guest and writing and group

work backed up by photocopy masters high voltage circuit

alstom hgf manual darelova com - Mar 29 2022

web jul 21 2023 alstom hgf manual 2 5 downloaded from uniport edu ng on july 21 2023 by guest in an environment where they can t fully immerse themselves in the language

hgf1014 245 kv 63 ka deadtank circuit breaker - Mar 09 2023

web alstom hgf manual reactor core materials jan 23 2022 anthologies anthology may 27 2022 the full range of text types to meet your shared and guided reading writing needs

alstom hgf manual - Apr 10 2023

web may 22 2017 alstom hgf manual alstom hgf manual read online guns ammo guide to sniping a comprehensive guide to guns gear and skills paperback june 26 2017

switchgear components alstom - May 11 2023

web alstom hgf manual 1 alstom hgf manual right here we have countless book alstom hgf manual and collections to check out we additionally provide variant types and plus type

hidden order how adaptation builds complexity worldcat org - Nov 07 2022

web hidden order how adaptation builds complexity author john h holland summary explains how scientists who study complexity are convinced that certain constant processes are at work in all kinds of unrelated complex systems

hidden order how adaptation builds complexity helix books - Feb 27 2022

web explains how scientists who study complexity are convinced that certain constant processes are at work in all kinds of unrelated complex systems product stats amazing

hidden order how adaptation builds complexity helix books - Aug 16 2023

web aug 21 1995 hidden order how adaptation builds complexity helix books first edition hidden order how adaptation builds complexity helix books first edition by john h holland author 4 4 58 ratings see all formats and editions

hidden order how adaptation builds complexity guide books - Feb 10 2023

web oct 1 1996 Özmen Ö smith j and yilmaz l an agent based simulation study of a complex adaptive collaboration network proceedings of the 2013 winter simulation conference simulation making decisions in a complex world 412 423

hidden order how adaptation builds complexity foreign affairs - Jan 29 2022

web jul 1 1996 hidden order how adaptation builds complexity by john h holland addison wesley 1995 185 pp reviewed by francis fukuyama july august 1996 published on july 1 1996 contemporary realist theory starts from the premise that the international system is anarchic as if anarchy were somehow an anomalous condition

hidden order how adaptation builds complexity mit press - Oct 06 2022

web apr 1 1995 [hidden order how adaptation builds complexity in special collection cognet john r koza author and article information artificial life 1995 2 3 333 335](#)

hidden order how adaptation builds complexity google books - Jul 15 2023

web aug 21 1995 [hidden order how adaptation builds complexity john h holland google books the father of the field of genetic algorithms and one of the pioneers of the new science of complexity](#)

hidden order how adaptation builds complexity helix books - Apr 12 2023

web the book begins with a bunch of statistical formulas but don t let that throw you this is an extremely readable book on the nature and structure of complex adaptive systems it explains how complexity evolves from chaos and it uses clear precise language that anyone can understand it takes a complex subject and makes it easily

helix books john holland hidden order how adaptation builds - May 01 2022

web helix books john holland hidden order how adaptation builds complexity helix books basic books 1996 pdf helix books john holland hidden order how adaptation builds complexity helix books basic books 1996 leonardo bonetti

[hidden order how adaptation builds complexity the rabbit hole](#) - Mar 31 2022

web sep 26 2016 [fascinating book on how the universe seems to produce order for free via coherence spontaneous self organization and complex adaptive systems in the latticework we ve distilled curated and interconnected the](#)

hidden order how adaptation builds complexity paperback - Dec 28 2021

web this item [hidden order how adaptation builds complexity by john h holland paperback 22 98 in stock ships from and sold by amazon ca emergence from chaos to order by john h holland paperback 23 50](#)

hidden order how adaptation builds complexity helix books - Jun 14 2023

web [hidden order how adaptation builds complexity helix books holland john amazon com tr kitap](#)

hidden order how adaptation builds complexity ieee xplore - Mar 11 2023

web [ieee xplore delivering full text access to the world s highest quality technical literature in engineering and technology ieee xplore](#)

[hidden order how adaptation builds complexity ghent](#) - Jun 02 2022

web [hidden order how adaptation builds complexity john h holland isbn 0201407930 author holland john h publisher reading mass addison wesley c1995 description xxi 185 p ill 22 cm series helix books bibliography includes bibliographical references p 173 175 and index dewey 003 7 20 subject](#)

hidden order how adaptation builds complexity guide books - May 13 2023

web apr 1 1996 [holland summarizes two broad uses of the simulation of echo communities as a basis for thought experiments to explore the principles of complex adaptive systems and to permit people to experiment with naturally](#)

occurring complex adaptive systems and thus learn to manage them more effectively

hidden order how adaptation builds complexity - Aug 04 2022

web hidden order how adaptation builds complexity holland john h john henry 1929 free download borrow and streaming internet archive

john holland 1995 hidden order how adaptation builds complexity - Jul 03 2022

web john holland 1995 hidden order how adaptation builds complexity kilroy 600dpi part 1 free ebook download as pdf file pdf text file txt or read book online for free hidden order how adaptation builds complexity kilroy 600dpi part 1 uploaded by lolo set 100 3 100 found this document useful 3 votes 3k views 204 pages

hidden order how adaptation builds complexity john h - Sep 05 2022

web hidden order how adaptation builds complexity john h holland 1995 addison wesley new york ny 185 pages isbn 0 201 40793 0 24 00

hidden order how adaptation builds complexity ieee xplore - Dec 08 2022

web hidden order how adaptation builds complexity published in artificial life volume 2 issue 3 april 1995 article page s 333 335 date of publication april 1995 issn information print issn 1064 5462 inspec accession number persistent link

hidden order how adaptation builds complexity helix books - Jan 09 2023

web buy hidden order how adaptation builds complexity helix books by holland john isbn 9780201442304 from amazon s book store everyday low prices and free delivery on eligible orders