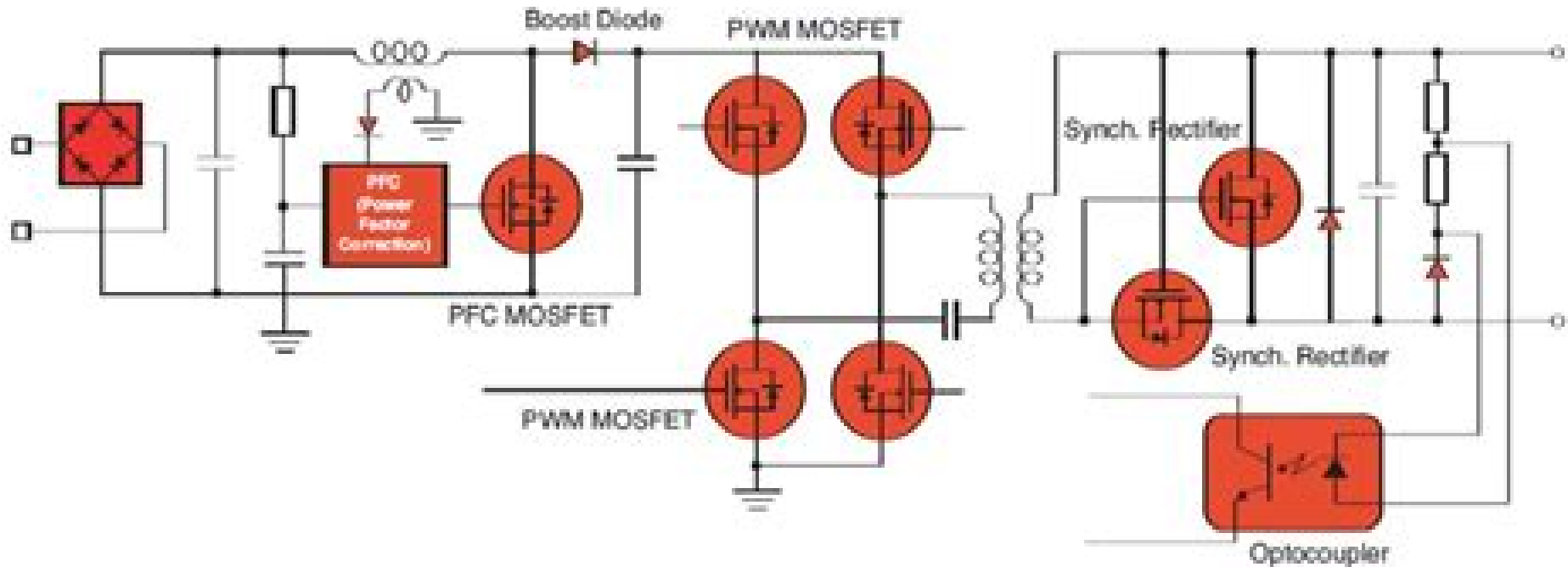


# SMPS DESIGN GUIDE

500W Telecom/Server ZVS Phase-Shift Full Bridge Switch Mode Power Supply



## Suggested Products

Bridge Rectifier	PFC IC	PFC MOSFET	Boost Diode	PWM MOSFET	Synch. Rectifier	Optocoupler
2KBP10M	ML4821	FQA24N50	ISL9R860	FGH18N50V2	FDPO60AN08A0	H11A817
GBU4M	FAN4810	FCP11N60	IRL9R1560	FQA24N50	FDPO47AN08A0	MOC819
GBU6M	FAN4822	FCP20N60	RHRP860	FDH27N50	FDP3652	
KB110		FDH44N50	RHRP1560	FDH44N50	FDP3632	
				FCP11N60	FGP90N10V2	
				FCP20N60		

# Smps Design Guide

**D Kirk**



## **Smps Design Guide:**

Right here, we have countless books **Smgs Design Guide** and collections to check out. We additionally present variant types and plus type of the books to browse. The standard book, fiction, history, novel, scientific research, as capably as various extra sorts of books are readily genial here.

As this Smgs Design Guide, it ends stirring innate one of the favored books Smgs Design Guide collections that we have. This is why you remain in the best website to look the amazing book to have.

[https://py.bijouxmedusa.com/book/Resources/default.aspx/sarah\\_edwards\\_pdf.pdf](https://py.bijouxmedusa.com/book/Resources/default.aspx/sarah_edwards_pdf.pdf)

## **Table of Contents Smgs Design Guide**

1. Understanding the eBook Smgs Design Guide
  - The Rise of Digital Reading Smgs Design Guide
  - Advantages of eBooks Over Traditional Books
2. Identifying Smgs Design Guide
  - Exploring Different Genres
  - Considering Fiction vs. Non-Fiction
  - Determining Your Reading Goals
3. Choosing the Right eBook Platform
  - Popular eBook Platforms
  - Features to Look for in an Smgs Design Guide
  - User-Friendly Interface
4. Exploring eBook Recommendations from Smgs Design Guide
  - Personalized Recommendations
  - Smgs Design Guide User Reviews and Ratings
  - Smgs Design Guide and Bestseller Lists
5. Accessing Smgs Design Guide Free and Paid eBooks
  - Smgs Design Guide Public Domain eBooks

- Smpls Design Guide eBook Subscription Services
- Smpls Design Guide Budget-Friendly Options
- 6. Navigating Smpls Design Guide eBook Formats
  - ePub, PDF, MOBI, and More
  - Smpls Design Guide Compatibility with Devices
  - Smpls Design Guide Enhanced eBook Features
- 7. Enhancing Your Reading Experience
  - Adjustable Fonts and Text Sizes of Smpls Design Guide
  - Highlighting and Note-Taking Smpls Design Guide
  - Interactive Elements Smpls Design Guide
- 8. Staying Engaged with Smpls Design Guide
  - Joining Online Reading Communities
  - Participating in Virtual Book Clubs
  - Following Authors and Publishers Smpls Design Guide
- 9. Balancing eBooks and Physical Books Smpls Design Guide
  - Benefits of a Digital Library
  - Creating a Diverse Reading Collection Smpls Design Guide
- 10. Overcoming Reading Challenges
  - Dealing with Digital Eye Strain
  - Minimizing Distractions
  - Managing Screen Time
- 11. Cultivating a Reading Routine Smpls Design Guide
  - Setting Reading Goals Smpls Design Guide
  - Carving Out Dedicated Reading Time
- 12. Sourcing Reliable Information of Smpls Design Guide
  - Fact-Checking eBook Content of Smpls Design Guide
  - Distinguishing Credible Sources
- 13. Promoting Lifelong Learning
  - Utilizing eBooks for Skill Development
  - Exploring Educational eBooks

### 14. Embracing eBook Trends

- Integration of Multimedia Elements
- Interactive and Gamified eBooks

### **Smpls Design Guide Introduction**

In today's digital age, the availability of Smpls Design Guide books and manuals for download has revolutionized the way we access information. Gone are the days of physically flipping through pages and carrying heavy textbooks or manuals. With just a few clicks, we can now access a wealth of knowledge from the comfort of our own homes or on the go. This article will explore the advantages of Smpls Design Guide books and manuals for download, along with some popular platforms that offer these resources. One of the significant advantages of Smpls Design Guide books and manuals for download is the cost-saving aspect. Traditional books and manuals can be costly, especially if you need to purchase several of them for educational or professional purposes. By accessing Smpls Design Guide versions, you eliminate the need to spend money on physical copies. This not only saves you money but also reduces the environmental impact associated with book production and transportation. Furthermore, Smpls Design Guide books and manuals for download are incredibly convenient. With just a computer or smartphone and an internet connection, you can access a vast library of resources on any subject imaginable. Whether you're a student looking for textbooks, a professional seeking industry-specific manuals, or someone interested in self-improvement, these digital resources provide an efficient and accessible means of acquiring knowledge. Moreover, PDF books and manuals offer a range of benefits compared to other digital formats. PDF files are designed to retain their formatting regardless of the device used to open them. This ensures that the content appears exactly as intended by the author, with no loss of formatting or missing graphics. Additionally, PDF files can be easily annotated, bookmarked, and searched for specific terms, making them highly practical for studying or referencing. When it comes to accessing Smpls Design Guide books and manuals, several platforms offer an extensive collection of resources. One such platform is Project Gutenberg, a nonprofit organization that provides over 60,000 free eBooks. These books are primarily in the public domain, meaning they can be freely distributed and downloaded. Project Gutenberg offers a wide range of classic literature, making it an excellent resource for literature enthusiasts. Another popular platform for Smpls Design Guide books and manuals is Open Library. Open Library is an initiative of the Internet Archive, a non-profit organization dedicated to digitizing cultural artifacts and making them accessible to the public. Open Library hosts millions of books, including both public domain works and contemporary titles. It also allows users to borrow digital copies of certain books for a limited period, similar to a library lending system. Additionally, many universities and educational institutions have their own digital libraries that provide free access to PDF books and manuals. These libraries often offer academic texts, research papers, and technical manuals,

making them invaluable resources for students and researchers. Some notable examples include MIT OpenCourseWare, which offers free access to course materials from the Massachusetts Institute of Technology, and the Digital Public Library of America, which provides a vast collection of digitized books and historical documents. In conclusion, Smgs Design Guide books and manuals for download have transformed the way we access information. They provide a cost-effective and convenient means of acquiring knowledge, offering the ability to access a vast library of resources at our fingertips. With platforms like Project Gutenberg, Open Library, and various digital libraries offered by educational institutions, we have access to an ever-expanding collection of books and manuals. Whether for educational, professional, or personal purposes, these digital resources serve as valuable tools for continuous learning and self-improvement. So why not take advantage of the vast world of Smgs Design Guide books and manuals for download and embark on your journey of knowledge?

### FAQs About Smgs Design Guide Books

1. Where can I buy Smgs Design Guide books? Bookstores: Physical bookstores like Barnes & Noble, Waterstones, and independent local stores. Online Retailers: Amazon, Book Depository, and various online bookstores offer a wide range of books in physical and digital formats.
2. What are the different book formats available? Hardcover: Sturdy and durable, usually more expensive. Paperback: Cheaper, lighter, and more portable than hardcovers. E-books: Digital books available for e-readers like Kindle or software like Apple Books, Kindle, and Google Play Books.
3. How do I choose a Smgs Design Guide book to read? Genres: Consider the genre you enjoy (fiction, non-fiction, mystery, sci-fi, etc.). Recommendations: Ask friends, join book clubs, or explore online reviews and recommendations. Author: If you like a particular author, you might enjoy more of their work.
4. How do I take care of Smgs Design Guide books? Storage: Keep them away from direct sunlight and in a dry environment. Handling: Avoid folding pages, use bookmarks, and handle them with clean hands. Cleaning: Gently dust the covers and pages occasionally.
5. Can I borrow books without buying them? Public Libraries: Local libraries offer a wide range of books for borrowing. Book Swaps: Community book exchanges or online platforms where people exchange books.
6. How can I track my reading progress or manage my book collection? Book Tracking Apps: Goodreads, LibraryThing, and Book Catalogue are popular apps for tracking your reading progress and managing book collections. Spreadsheets: You can create your own spreadsheet to track books read, ratings, and other details.

7. What are Smps Design Guide audiobooks, and where can I find them? Audiobooks: Audio recordings of books, perfect for listening while commuting or multitasking. Platforms: Audible, LibriVox, and Google Play Books offer a wide selection of audiobooks.
8. How do I support authors or the book industry? Buy Books: Purchase books from authors or independent bookstores. Reviews: Leave reviews on platforms like Goodreads or Amazon. Promotion: Share your favorite books on social media or recommend them to friends.
9. Are there book clubs or reading communities I can join? Local Clubs: Check for local book clubs in libraries or community centers. Online Communities: Platforms like Goodreads have virtual book clubs and discussion groups.
10. Can I read Smps Design Guide books for free? Public Domain Books: Many classic books are available for free as they're in the public domain. Free E-books: Some websites offer free e-books legally, like Project Gutenberg or Open Library.

### Find Smps Design Guide :

[sarah edwards pdf](#)

[rogue betrayer rogue submarine book 2](#)

**ron patton software testing second edition pearson education 2007**

[rita pmp 6th edition download](#)

[research methods business and management](#)

**same minitauro 60 service manual**

**rosso malpelo giovanni verga**

[sample authorization letter collect documents](#)

**responsible responsive design scott jehl**

**research methods for business students 6th edition download**

**saman ayu utami**

**revue technique iseki reparation entretien mecaedition com**

**rico sanchez disc jockey answers**

**retail management case studies with solution**

[rta polo 6n2 rta scenic 1 phase 2 rta peugeot 207](#)

**Smpls Design Guide :**

*lillian spengane memorial nursing school fees 2022 2023* - Dec 06 2022

web view all institutions lillian spengane memorial nursing school details find information such as courses offered contact details and admissions

[lillian spengane memorial nursing school online applyscholars](#) - Sep 03 2022

web oct 5 2022 the management of the lillian spengane memorial nursing school has released the fee structure for all courses for 2022 20231 academic sessions fees vary

**alice lee centre for nursing studies yong loo lin school of** - Aug 02 2022

web mar 25 2022 lillian spengane memorial nursing school online application is calling applicants seeking to apply for 2023 2024 admission the lillian spengane memorial

[lillian spengane memorial nursing school contacts details](#) - Mar 29 2022

web sep 19 2023 snb annual report 2022 28 aug 2023 13 55 revised nurses and midwives scope of professional nursing and midwifery practice and core competencies and

*nurses learning hub singapore nurses association sna* - Feb 08 2023

web apr 22 2023 the approved lillian spengane memorial nursing school costs for undergraduate and graduate students for the 2023 2024 academic year depending on

[nursing training and education ministry of health](#) - Jan 07 2023

web mar 27 2022 the lillian spengane memorial nursing school school fees schedule for the 2022 2022 academic session has been released and is available on this page

**lillian spengane memorial nursing school fees structure 2024** - Oct 04 2022

web apr 24 2018 nursing training and education a range of education options from basic certification to post graduate studies is available when you choose nursing as your

*lillian spengane memorial nursing school 2024 intake* - Oct 16 2023

the lillian spengane memorial nursing school faculty of health sciences online admission application form 2024 intake application fee courses offered requirements term dates bursaries registration dates registration dates department programmes duration contact address see more

[lillian spengane memorial nursing school](#) - Aug 14 2023

the south african nursing council sanc as well as the lillian spengane memorial nursing school and midwifery has released the online admission see more

**lillian spengane memorial nursing school fees 2023 2024** - Jun 12 2023

web oct 27 2023 the management of the lillian spengane memorial nursing school has officially announced the release of their tuition fees for both returning and fresh students

**snb home moh** - Jul 01 2022

web the lillian spengane memorial nursing school fees structure 2024 for all new and returning students is published all new old students are expected to check the fees

**lillian spengane memorial nursing school fees structure** - Apr 29 2022

web sep 30 2023 5 july 2022 nus alice lee centre for nursing studies the alice lee centre for nursing studies was established in 2005 it is the only institution in singapore

**lillian spengane memorial nursing school registration dates** - May 31 2022

web lillian spengane memorial nursing school application 2023 lillian spengane memorial nursing school online application form admission entry requirements

lillian spengane memorial nursing school fees 2023 - May 11 2023

web jun 11 2020 lillian spengane memorial nursing school application 2022 check lsmns portal here for applications details 2021 the lillian spengane memorial

lillian spengane memorial nursing school reopening dates - Dec 26 2021

web name international lillian spengane memorial nursing school name local lillian spengane memorial nursing school pty ltd type of institution academy address

lillian spengane memorial nursing school application form - Jul 13 2023

it is recommended that mathematics physical sciences and biology be taken as matriculation subjects candidates shall be admitted to the program if see more

**lillian spengane memorial nursing school fees structure** - Apr 10 2023

web the lillian spengane memorial nursing school admissions office has made the application form for the 2023 2024 academic year available online for admission to

*lillian spengane memorial nursing school fees structure* - Jan 27 2022

web nov 12 2021 this is the official lillian spengane memorial nursing school fees structure 2022 inlined with the sanc fee and fine to be paid by each bachelor s

**lillian spengane memorial nursing school 2024 intake** - Nov 24 2021

web jul 13 2023 lillian spengane memorial nursing school admission requirements for 2023 intake july 13 2023

**lillian spengane memorial nursing school online application** - Nov 05 2022

web a special message to nurses from methodist girls school primary recent inaugural paediatric neonatal conference 2023

64th annual general meeting 25th march 2023

**lillian spengane memorial nursing school tuition fees 2024 2025** - Sep 15 2023

to qualify as a nurse you can do one of the following 1 a four year bachelor degree in nursing 1 a three year diploma 1 a one year higher certificate in see more

[lillian spengane memorial nursing school admission](#) - Feb 25 2022

web jun 26 2023 the lillian spengane memorial nursing school intake registration dates for 2024 2025 apply now for nursing admission intake at the lillian spengane

**lillian spengane memorial nursing school details** - Mar 09 2023

web dec 20 2022 the official lillian spengane memorial nursing school fees for the 2023 2024 academic session please understand that the official lillian spengane

**la storia delle parole il mio primo dizionario etimologico illustrato** - Aug 15 2023

web acquista la storia delle parole il mio primo dizionario etimologico illustrato su libreria universitaria spedizione gratuita sopra i 25 euro su libreria universitaria

**la storia delle parole il mio primo dizionario et copy uniport edu** - Sep 04 2022

web may 4 2023 la storia delle parole il mio primo dizionario et 1 4 downloaded from uniport edu ng on may 4 2023 by guest la storia delle parole il mio primo dizionario et this is likewise one of the factors by obtaining the soft documents of this la storia delle parole il mio primo dizionario et by online you might not require more period to spend

**download solutions la storia delle parole il mio primo dizionario et** - Jul 02 2022

web la storia delle parole il mio primo dizionario et pregnancy care product market study navigating the future sbwire nov 17 2021 web aug 13 2020 the study bridges the historical data from 2015 to 2019 and estimated till 2026 some are the key emerging players that are part of coverage and were profiled in

**le parole della storia mondadori education** - Dec 27 2021

web fuori catalogo di e b stumpo s cardini francesco onorato per il 1 biennio dei licei i fatti il metodo il linguaggio della storia l opera gli elementi di forza semplicità della struttura attenzione al linguaggio e al lessico della storia coerenza e coesione degli elementi testuali

[il mio primo dizionario nuovo miot libraccio it](#) - Mar 30 2022

web il mio primo dizionario nuovo miot è un libro pubblicato da giunti editore nella collana dizionari ragazzi libraccio it [etimologia in enciclopedia dell italiano treccani](#) - Aug 03 2022

web il primo dizionario etimologico dell ottocento dedicato solo all italiano è il vocabolario genetico etimologico della lingua italiana di giovan battista bolza vienna 1852 che però non tenne conto degli sviluppi metodologici nell ambito della

**la storia delle parole il mio primo dizionario etimologico unap** - Apr 11 2023

web la storia delle parole il mio primo dizionario etimologico illustrato by l intera opera costituita da 350 lemmi per un totale di 1000 storie di parole è stata concepita con lo scopo di mostrare l origine delle parole e soprattutto di far vedere i

*la storia delle parole il mio primo dizionario et 2023* - Nov 06 2022

web infatuation currently this la storia delle parole il mio primo dizionario et as one of the most vigorous sellers here will very be in the midst of the best options to review dizionario universale delle scienze ecclesiastiche che comprende la storia della religione opera compilata dai padri richard e giraud 1844 dizionario storico degli

**il mio primo dizionario di italiano illustrato amazon it** - Apr 30 2022

web dizionario arricchito da oltre 100 schede di grammatica e box con la spiegazione delle parole con diverse funzioni grammaticali età di lettura da 6 anni leggi di più

**la storia delle parole il mio primo dizionario et pdf** - Mar 10 2023

web la storia delle parole il mio primo dizionario et 3 3 offers a discussion of the key issues regarding the standardization of the minor romance languages as well as creoles authorial echoes routledge giorgio bassani 1916 2000 was a jewish italian novelist poet essayist editor and intellectual a cosmopolitan writer concerned

la storia delle parole il mio primo dizionario et full pdf - Jan 08 2023

web la storia delle parole il mio primo dizionario et la sampdoria è di radrizzani la società è salva siamo orgogliosi ferrero ha venduto evitato il fallimen il secolo xix oct 04 2016 la sampdoria è di radrizzani la società è salva siamo orgogliosi ferrero ha venduto evitato il fallimen

il primo dizionario di italiano amazon it libri - Jun 01 2022

web visualizza tutti i formati ed edizioni copertina rigida da 13 06 3 nuovo da 13 06 il primo dizionario di italiano torna in libreria in un edizione aggiornata sotto l aspetto grafico e di contenuto È un dizionario a misura di bambino le definizioni sono scritte in un linguaggio semplice e chiaro e sono ricche di esempi e di

*chi ha compilato il primo dizionario e quando focus it* - Feb 26 2022

web jun 28 2002 in questo campo la tradizione è tutta italiana il primo dizionario alfabetico fu infatti pubblicato in italia nel 1502 da ambrogio calepino tanto che ancora oggi la parola calepino è sinonimo di dizionario nel 1755 a londra apparve il primo dizionario inglese per opera di samuel johnson due volumi con 50 mila definizioni

il mio primo dizionario nuovo miot 2021 giunti giunti editore - Dec 07 2022

web jan 27 2021 condividi nuova edizione aggiornata oltre 25 000 parole approfondimenti grammaticali pronuncia parole straniere alta leggibilità con ben 1400 lemmi in più rispetto all edizione precedente e con l inserimento di note etimologiche là dove l etimologia costituisce effettivamente una curiosità o un informazione particolarmente

**etimologia e storia delle parole luca d onghia libreria ibs** - Jan 28 2022

web il volume frutto del convegno dell associazione per la storia della lingua italiana asli svoltosi a firenze alla fine del 2016 affronta il tema dell etimologia e della storia di parole in particolare esso indaga un ambito nel quale la storia delle strutture linguistiche dialoga necessariamente con quella dell uso della percezione e

**la storia delle parole il mio primo dizionario et pdf** - Oct 05 2022

web feb 21 2023 idea dell universo che contiene la storia della vita dell uomo elementi cosmografici viaggio estatico al mondo planetario e storia della terra opera del signor abbate don lorenzo hervas tomo primo ventunesimo lorenzo hervs y panduro 1784 dizionario enciclopedico della teologia della storia della chiesa degli autori

la storia delle parole il mio primo dizionario etimologico illustrato - Jul 14 2023

web l intera opera costituita da 350 lemmi per un totale di 1000 storie di parole è stata concepita con lo scopo di mostrare l origine delle parole e soprattutto di far vedere i meccanismi e il funzionamento della lingua italiana attraverso esempi reali accompagnati da un apparato illustrativo evocativo ed educativo

**la storia delle parole il mio primo dizionario etimologico illustrato** - Jun 13 2023

web note 5 retrouvez la storia delle parole il mio primo dizionario etimologico illustrato et des millions de livres en stock sur amazon fr achetez neuf ou d occasion

la storia delle parole a parole treccani il portale del sapere - May 12 2023

web l etimologia parola antica già usata nel duecento da guidotto da bologna è propriamente lo studio dell origine delle parole si sa ed è la corsa a ritroso del presente linguistico fino al passato di passaggio il momento in cui da una lingua una parola è passata in un altra modificandosi attraverso i suoni di chi l ha accolta oppure cambiando la sua natura

la storia delle parole il mio primo dizionario et pdf free - Feb 09 2023

web manuela duca 2013 11 01 il mio primo sillabario propone un nuovo metodo didattico basato sull associazione di suoni immagini storie gesti e musica per aiutare la memorizzazione di grafemi e sillabe in modo divertente veloce e graduale

**ein strukturierter einstieg in die oracle sql und pl sql** - Jan 07 2023

web dieses buch richtet sich an angehende oracle entwickler die einen einstieg in die sql und pl sql entwicklung benötigen hierbei behandelt es alle wichtigen grundlagen für den einstieg in die oracle welt indem nicht nur rein auf sql und pl sql eingegangen wird sondern zusätzliche themen angesproc

**ein strukturierter einstieg in die oracle sql und pl sql bokus** - Aug 02 2022

web nov 28 2013 dieses buch richtet sich an angehende oracle entwickler die einen einstieg in die sql und pl sql entwicklung benötigen hierbei behandelt es alle wichtigen grundlagen fr den einstieg in die oracle welt indem nicht nur rein auf sql und pl sql eingegangen wird sondern zustzliche themen angesprochen werden die fr

*ein strukturierter einstieg in die oracle sql und pl sql* - Jul 13 2023

web nov 28 2013 amazon com ein strukturierter einstieg in die oracle sql und pl sql entwicklung german edition 9783848258239 adar marek books

**ein strukturierter einstieg in die oracle sql und pl sq** - Jun 12 2023

web nov 28 2013 dieses buch richtet sich an angehende oracle entwickler die einen einstieg in die sql und pl ein strukturierter einstieg in die oracle sql und pl sql entwicklung by marek adar goodreads home

**ein strukturierter einstieg in die oracle sql und pl sql** - Oct 16 2023

web ein strukturierter einstieg in die oracle sql und pl sql entwicklung adar marek isbn 9783848258239 kostenloser versand für alle bücher mit versand und verkauf duch amazon

**ein strukturierter einstieg in die oracle sql und full pdf** - Feb 25 2022

web wichtigsten informationen die sie für die arbeit mit oracle pl sql benötigen und deckt jetzt auch die neuen features von oracle database 11g ab das buch bietet eine zusammenfassung der sprachelemente und funktionen von pl sql und

ein strukturierter einstieg in die oracle sql und pl sql - Oct 04 2022

web ein strukturierter einstieg in die oracle sql und pl sql entwicklung german edition ebook adar marek amazon co uk kindle store

*ein strukturierter einstieg in die oracle sql und pl sql* - Apr 10 2023

web dec 12 2013 buy ein strukturierter einstieg in die oracle sql und pl sql entwicklung german edition read kindle store reviews amazon com

sql arbeitsblatt für einfache sql syntax oracle deutschland - May 31 2022

web nach sie diese anleitung durchgegangen sind sollten sie verstehen wie sie mithilfe des sql arbeitsblatts sql und sql plus befehle eingeben können 1 einführung oracle sql developer bietet ein sql arbeitsblatt mit dem sie daten abfragen können indem sie einfache oder komplexe sql anweisungen schreiben

*ein strukturierter einstieg in die oracle sql und pl sql zvb* - Nov 05 2022

web ein strukturierter einstieg in die oracle sql und pl sql entwicklung von adar marek isbn 10 3848258234 isbn 13 9783848258239 books on demand 2013 softcover ein strukturierter einstieg in die oracle sql und pl sql entwicklung adar marek 9783848258239 zvb

*ein strukturierter einstieg in die oracle sql und 2023* - Aug 14 2023

web this book is for beginning oracle sql is aimed at developers and database administrators who must write sql statements to execute against an oracle database no prior knowledge of sql is assumed table of contents 1 relational database systems and oracle 2 introduction to sql and sql plus and sql developer 3 data definition part i 4

**oracle professioneller einstieg in oracle sql schulung kurs und** - Apr 29 2022

web dieser grundkurs richtet sich an datenbankentwickler administratoren anwendungsentwickler und systemanalytiker im grundlagen seminar werden grundlegende kenntnisse über die konzepte funktionen und anwendungen von oracle sql und sql plus vermittelt

*ein strukturierter einstieg in die oracle sql und pl sql alibris* - Dec 06 2022

web dieses buch richtet sich an angehende oracle entwickler die einen einstieg in die sql und pl sql entwicklung benötigen hierbei behandelt es alle wichtigen grundlagen für den einstieg in die oracle welt indem nicht nur rein auf sql und pl sql eingegangen wird sondern zusätzliche themen angesprochen werden die für einen angehenden

**sql sprache oracle deutschland** - Jul 01 2022

web sql zum zugreifen definieren und verwalten von daten oracle sql bietet eine einfache elegante und leistungsstarke architektur für den zugriff die definition und die wartung von daten verwenden sie sql mit oracle und php

**download solutions ein strukturierter einstieg in die oracle sql und** - Mar 29 2022

web ein strukturierter einstieg in die oracle sql und advanced oracle pl sql developer s guide jan 13 2021 master the advanced concepts of pl sql for professional level certification and learn the new capabilities of oracle database 12c about this book learn advanced application development features of oracle

*ein strukturierter einstieg in die oracle sql und pl sql* - Mar 09 2023

web ein strukturierter einstieg in die oracle sql und pl sql entwicklung ebook adar marek amazon de books

**ein strukturierter einstieg in die oracle sql und pl sql** - Sep 15 2023

web ein strukturierter einstieg in die oracle sql und pl sql entwicklung adar marek amazon sg books

ein strukturierter einstieg in die oracle sql und pl sql - Feb 08 2023

web ein strukturierter einstieg in die oracle sql und pl sql entwicklung adar marek 9783848258239 books amazon ca

ein strukturierter einstieg in die oracle sql und pl sql alibris - Sep 03 2022

web buy ein strukturierter einstieg in die oracle sql und pl sql entwicklung by marek adar online at alibris we have new and used copies available in 1 editions starting at 31 60 shop now

**ein strukturierter einstieg in die oracle sql und pl sql** - May 11 2023

web ein strukturierter einstieg in die oracle sql und pl sql entwicklung adar marek amazon in books