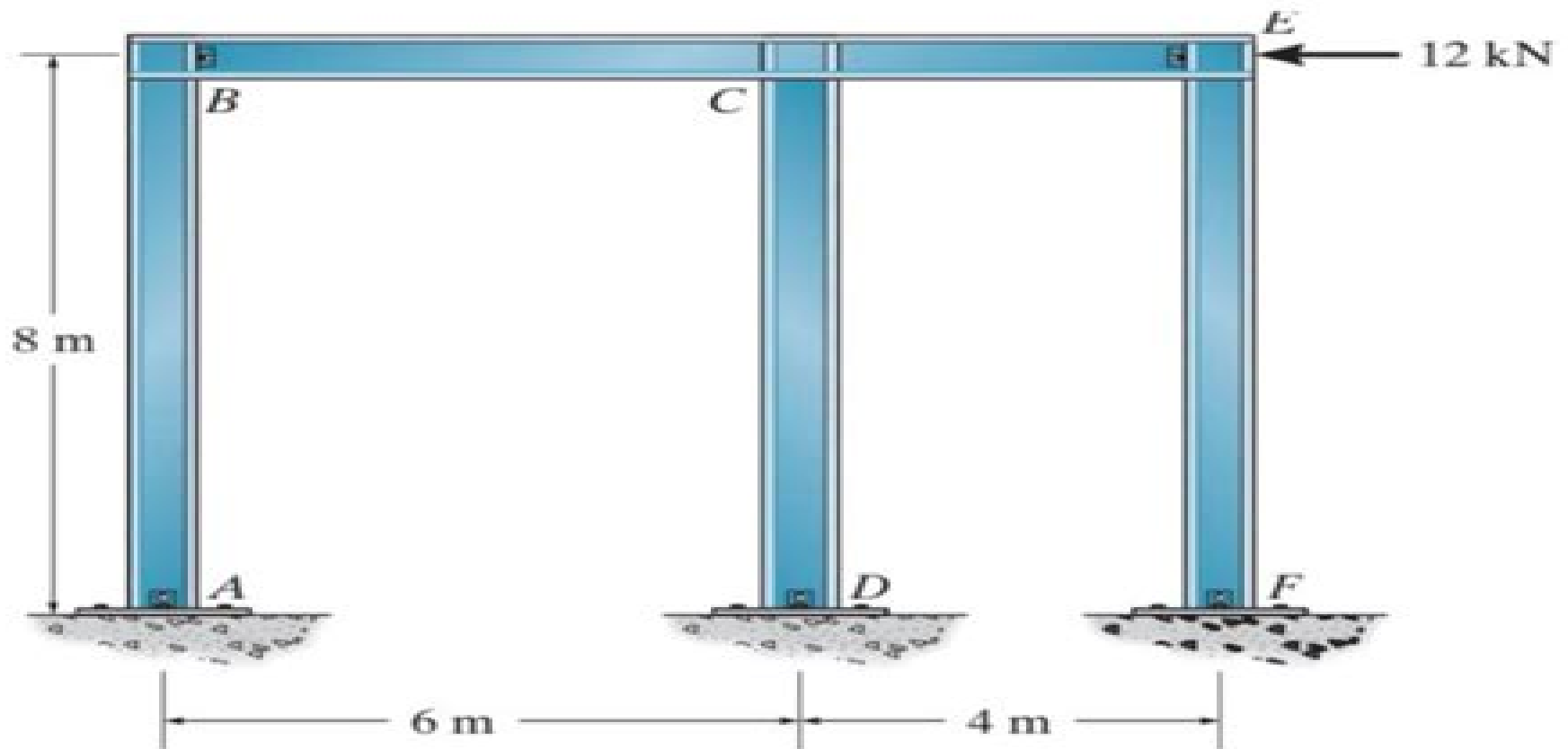


SOLVE USING MOMENT DISTRIBUTION METHOD, frames with sidesway



Prob. 11-24

Moment Distribution Method Study

**Ohio State University, Columbus.
Engineering Experiment Station**



Moment Distribution Method Study:

Embark on a breathtaking journey through nature and adventure with Crafted by is mesmerizing ebook, **Moment Distribution Method Study** . This immersive experience, available for download in a PDF format (PDF Size: *), transports you to the heart of natural marvels and thrilling escapades. Download now and let the adventure begin!

https://py.bijouxmedusa.com/public/scholarship/Documents/black_notice.pdf

Table of Contents Moment Distribution Method Study

1. Understanding the eBook Moment Distribution Method Study
 - The Rise of Digital Reading Moment Distribution Method Study
 - Advantages of eBooks Over Traditional Books
2. Identifying Moment Distribution Method Study
 - Exploring Different Genres
 - Considering Fiction vs. Non-Fiction
 - Determining Your Reading Goals
3. Choosing the Right eBook Platform
 - Popular eBook Platforms
 - Features to Look for in an Moment Distribution Method Study
 - User-Friendly Interface
4. Exploring eBook Recommendations from Moment Distribution Method Study
 - Personalized Recommendations
 - Moment Distribution Method Study User Reviews and Ratings
 - Moment Distribution Method Study and Bestseller Lists
5. Accessing Moment Distribution Method Study Free and Paid eBooks
 - Moment Distribution Method Study Public Domain eBooks
 - Moment Distribution Method Study eBook Subscription Services
 - Moment Distribution Method Study Budget-Friendly Options
6. Navigating Moment Distribution Method Study eBook Formats

- ePub, PDF, MOBI, and More
- Moment Distribution Method Study Compatibility with Devices
- Moment Distribution Method Study Enhanced eBook Features
- 7. Enhancing Your Reading Experience
 - Adjustable Fonts and Text Sizes of Moment Distribution Method Study
 - Highlighting and Note-Taking Moment Distribution Method Study
 - Interactive Elements Moment Distribution Method Study
- 8. Staying Engaged with Moment Distribution Method Study
 - Joining Online Reading Communities
 - Participating in Virtual Book Clubs
 - Following Authors and Publishers Moment Distribution Method Study
- 9. Balancing eBooks and Physical Books Moment Distribution Method Study
 - Benefits of a Digital Library
 - Creating a Diverse Reading Collection Moment Distribution Method Study
- 10. Overcoming Reading Challenges
 - Dealing with Digital Eye Strain
 - Minimizing Distractions
 - Managing Screen Time
- 11. Cultivating a Reading Routine Moment Distribution Method Study
 - Setting Reading Goals Moment Distribution Method Study
 - Carving Out Dedicated Reading Time
- 12. Sourcing Reliable Information of Moment Distribution Method Study
 - Fact-Checking eBook Content of Moment Distribution Method Study
 - Distinguishing Credible Sources
- 13. Promoting Lifelong Learning
 - Utilizing eBooks for Skill Development
 - Exploring Educational eBooks
- 14. Embracing eBook Trends
 - Integration of Multimedia Elements
 - Interactive and Gamified eBooks

Moment Distribution Method Study Introduction

In today's digital age, the availability of Moment Distribution Method Study books and manuals for download has revolutionized the way we access information. Gone are the days of physically flipping through pages and carrying heavy textbooks or manuals. With just a few clicks, we can now access a wealth of knowledge from the comfort of our own homes or on the go. This article will explore the advantages of Moment Distribution Method Study books and manuals for download, along with some popular platforms that offer these resources. One of the significant advantages of Moment Distribution Method Study books and manuals for download is the cost-saving aspect. Traditional books and manuals can be costly, especially if you need to purchase several of them for educational or professional purposes. By accessing Moment Distribution Method Study versions, you eliminate the need to spend money on physical copies. This not only saves you money but also reduces the environmental impact associated with book production and transportation. Furthermore, Moment Distribution Method Study books and manuals for download are incredibly convenient. With just a computer or smartphone and an internet connection, you can access a vast library of resources on any subject imaginable. Whether you're a student looking for textbooks, a professional seeking industry-specific manuals, or someone interested in self-improvement, these digital resources provide an efficient and accessible means of acquiring knowledge. Moreover, PDF books and manuals offer a range of benefits compared to other digital formats. PDF files are designed to retain their formatting regardless of the device used to open them. This ensures that the content appears exactly as intended by the author, with no loss of formatting or missing graphics. Additionally, PDF files can be easily annotated, bookmarked, and searched for specific terms, making them highly practical for studying or referencing. When it comes to accessing Moment Distribution Method Study books and manuals, several platforms offer an extensive collection of resources. One such platform is Project Gutenberg, a nonprofit organization that provides over 60,000 free eBooks. These books are primarily in the public domain, meaning they can be freely distributed and downloaded. Project Gutenberg offers a wide range of classic literature, making it an excellent resource for literature enthusiasts. Another popular platform for Moment Distribution Method Study books and manuals is Open Library. Open Library is an initiative of the Internet Archive, a non-profit organization dedicated to digitizing cultural artifacts and making them accessible to the public. Open Library hosts millions of books, including both public domain works and contemporary titles. It also allows users to borrow digital copies of certain books for a limited period, similar to a library lending system. Additionally, many universities and educational institutions have their own digital libraries that provide free access to PDF books and manuals. These libraries often offer academic texts, research papers, and technical manuals, making them invaluable resources for students and researchers. Some notable examples include MIT OpenCourseWare, which offers free access to course materials from the Massachusetts Institute of Technology, and the Digital Public Library of America, which provides a vast collection of digitized books and historical documents. In conclusion, Moment Distribution

Method Study books and manuals for download have transformed the way we access information. They provide a cost-effective and convenient means of acquiring knowledge, offering the ability to access a vast library of resources at our fingertips. With platforms like Project Gutenberg, Open Library, and various digital libraries offered by educational institutions, we have access to an ever-expanding collection of books and manuals. Whether for educational, professional, or personal purposes, these digital resources serve as valuable tools for continuous learning and self-improvement. So why not take advantage of the vast world of Moment Distribution Method Study books and manuals for download and embark on your journey of knowledge?

FAQs About Moment Distribution Method Study Books

How do I know which eBook platform is the best for me? Finding the best eBook platform depends on your reading preferences and device compatibility. Research different platforms, read user reviews, and explore their features before making a choice. Are free eBooks of good quality? Yes, many reputable platforms offer high-quality free eBooks, including classics and public domain works. However, make sure to verify the source to ensure the eBook credibility. Can I read eBooks without an eReader? Absolutely! Most eBook platforms offer web-based readers or mobile apps that allow you to read eBooks on your computer, tablet, or smartphone. How do I avoid digital eye strain while reading eBooks? To prevent digital eye strain, take regular breaks, adjust the font size and background color, and ensure proper lighting while reading eBooks. What the advantage of interactive eBooks? Interactive eBooks incorporate multimedia elements, quizzes, and activities, enhancing the reader engagement and providing a more immersive learning experience. Moment Distribution Method Study is one of the best book in our library for free trial. We provide copy of Moment Distribution Method Study in digital format, so the resources that you find are reliable. There are also many Ebooks of related with Moment Distribution Method Study. Where to download Moment Distribution Method Study online for free? Are you looking for Moment Distribution Method Study PDF? This is definitely going to save you time and cash in something you should think about.

Find Moment Distribution Method Study :

black notice

biochimie ue1 paces 3e ed manuel cours qcm corriges epub book

biology investigatory project for class 12th cbse youtube

blessings lyrics and chords

bmw x5 e53 service manual publisher bentley publishers

boeing 737 technical guide aircraft systems

~~bill of engineering measurement and evaluation doc~~

black holes the membrane paradigm

binge compulsive eating workbook for kids teens

biology laboratory manual b presenting data answers

books astronomy through practical investigations lab 1

~~blue eyes technology advantages and disadvantages filetype pdf~~

bmw x5 repair manual download free

black cat questions answers

blood bank competency assessment

Moment Distribution Method Study :

amazon fr mon livre des gros camions cullis megan byrne - Apr 26 2023

web avec de grandes illustrations des pages dépliantes et des explications passionnantes ce livre séduira les fans de véhicules impressionnants mon livre des gros camions et

livre mon livre des gros camions et d autres plus petits le - Sep 19 2022

web un grand livre illustré avec de grandes pages dépliantes pour découvrir des poids lourds impressionnants avec de grandes illustrations des pages dépliantes et des explications

mon livre des gros camions et d autres plus petits cullis - Mar 14 2022

web un grand livre illustré avec de grandes pages dépliantes pour découvrir des poids lourds impressionnants avec de grandes illustrations des pages dépliantes et des explications

livre mon livre des gros camions et d autres plus petits le - Jun 16 2022

web résumé du livre mon livre des gros camions et d autres plus petits découvre les camions les plus gros les plus grands et les plus puissants du monde parmi

mon livre des gros camions et d autres plus petits - Aug 31 2023

web livre pour garçonnets avec plusieurs grandes pages qui se déplient il enthousiasme et faire rêver les enfants les dessins reproduisent les plus gros camions qui existent et

amazon fr commentaires en ligne mon livre des gros camions - Dec 23 2022

web avec de grandes illustrations des pages dépliantes et des explications passionnantes ce livre séduira les fans de

véhicules impressionnants mon livre des gros camions et

mon livre des gros camions et d autres plus petits - Jun 28 2023

web noté 5 retrouvez mon livre des gros camions et d autres plus petits by megan cullis september 29 2014 et des millions de livres en stock sur amazon fr achetez neuf ou

mon livre des gros camions ricochet jeunes org - Aug 19 2022

web découvrez mon livre des gros camions et d autres plus petits le livre de megan cullis et mike byrne chez usborne sur librest com groupement de librairies

mon livre des gros camions et d autres plus petits jeunesse - May 16 2022

web mon livre des gros camions et d autres plus petits cullis megan amazon com mx libros

amazon fr mon livre des gros camions et d autres plus petits - May 28 2023

web amazon fr mon livre des gros camions cullis megan byrne mike wright stephen clauzel virginie livres livres livres pour enfants formation et références

livre des gros camions mon cullis megan librairie martin - Feb 10 2022

web apr 5 2023 megan cullis auteur mike byrne auteur descriptif détaillé mon grand livre dépliants mon livre des gros camions 11 50 disponible sous 6 jours livraison en

mon livre des gros camions et d autres plus petits - Feb 22 2023

web découvrez des commentaires utiles de client et des classements de commentaires pour mon livre des gros camions et d autres plus petits sur amazon fr lisez des

mon livre des gros camions et d autres plus petits - Oct 21 2022

web isbn 9781409539827 11 20 euros thèmes automobile voiture découverte acheter sur leslibraires fr ajouter à ma bibliographie votre avis sur ce livre présentation par

mon livre des gros camions et d autres plus petits - Mar 26 2023

web oct 1 2014 nom du produit mon livre des gros camions et d autres plus petits marque null sous marque null type null Étape de vie null convient aux personnes

mon grand livre dépliants mon livre des gros camions - Dec 11 2021

web mon livre des gros camions et d autres plus petits jeunesse achat en ligne au meilleur prix sur e leclerc retrait gratuit dans de 700 magasins

mon livre des gros camions et d autres plus petits jeunesse - Oct 09 2021

mon livre des gros camions et d autres plus petits par mike - Nov 21 2022

web mon livre des gros camions et d autres plus petits découvre les camions les plus gros les plus grands et les plus puissants du monde parmi lesquels les énormes

[mon livre des gros camions et d autres plus petits](#) - Jan 12 2022

web cdiscount librairie découvrez notre offre mon livre des gros camions et d autres plus petits avec 4 dépliants géants livraison gratuite à partir de 25 paiement sécurisé

mon livre des gros camions et d autres plus petits - Jul 30 2023

web mon livre des gros camions et d autres plus petits hardcover oct 2 2014 french edition by megan cullis author mike byrne author virginie clauzel author 23

[mon livre des gros camions et d autres plus petits](#) - Apr 14 2022

web jun 26 2019 mon livre des gros camions et d autres plus petits découvre les camions les plus gros les plus grands et les plus puissants du monde parmi

mon livre des gros camions et d autres plus petits indigo - Jan 24 2023

web jun 26 2019 mon livre des gros camions et d autres plus petits découvre les camions les plus gros les plus grands et les plus puissants du monde parmi

mon livre des gros camions et d autres plus petits cdiscount - Nov 09 2021

[mon livre des gros camions et d autres plus petits](#) - Jul 18 2022

web may 22 2019 mon livre des gros camions et d autres plus petits découvre les camions les plus gros les plus grands et les plus puissants du monde parmi

ajax quick guide online tutorials library - Apr 08 2022

web ajax le guide complet pdf introduction ajax le guide complet pdf download only openlayers 2 10 beginner s guide erik hazzard 2011 03 18 create optimize and

[ajax guide complet by catteau bruno abebooks](#) - Dec 04 2021

web jul 15 2009 select the department you want to search in

ajax le guide complet help environment harvard edu - Feb 06 2022

web oct 21 2022 the first descendant ajax guide complet capaticités gameplay youtube 0 00 11 03 the first descendant **ajax tutorial** - May 09 2022

web ajax is a new technique for creating better faster and more interactive web applications with the help of xml html css and java script ajax uses xmlhttp for content css

ajax le guide complet catteau bruno faugout nicolas - Mar 19 2023

web guide complet ajax le guide complet catteau b faugout n bruno amazon co uk books

ajax le guide complet paperback amazon in - Aug 12 2022

web guide complet ajax le guide complet catteau b faugout n bruno amazon com au books

ajax le guide complet 3ième Édition collectif collectif - Sep 13 2022

web amazon in buy ajax le guide complet book online at best prices in india on amazon in read ajax le guide complet book reviews author details and more at amazon in

ajax le guide complet 9782822400176 - Apr 20 2023

web aug 24 2011 ajax le guide complet catteau bruno faugout nicolas on amazon com free shipping on qualifying offers ajax le guide complet

ajax le guide complet catteau bruno faugout nicolas - Dec 16 2022

web read ajax le guide complet développez des applications web avec ajax by bruno catteau available from rakuten kobo cet ouvrage s adresse à tous ceux qui souhaitent

[ajax le guide complet développez des applications web avec](#) - May 21 2023

web ajax le guide complet développez des applications web avec ajax ebook written by bruno catteau read this book using google play books app on your pc android ios

ajax guides pour les développeurs du web mdn - Jul 23 2023

web ajax asynchronous javascript xml n est pas une technologie en soi mais un terme désignant une nouvelle approche utilisant un ensemble de technologies existantes

le guide complet developpez des applications web avec ajax - Oct 14 2022

web apr 30 2008 ajax le guide complet 3ième Édition collectif collectif 9782300013003 books amazon ca

amazon com au customer reviews guide complet ajax le - Jun 10 2022

web ajax is a web browser technology independent of web server software a user can continue to use the application while the client program requests information from the

ajax le guide complet paperback 15 july 2009 amazon co uk - Nov 03 2021

web amazon com ajax le guide complet french edition 9782300022029 books skip to main content us hello select your address books select the department you want to

ajax le guide complet pdf red ortax org - Mar 07 2022

web le roi candaule bethsabé ajax andré gide 1947 joomla le guide complet votre site web et votre boutique en ligne gratuitement avec joomla et virtuemart mosaïque

ajax le guide complet french edition paperback amazon com - Oct 02 2021

ajax le guide complet ebook by bruno catteau rakuten kobo - Nov 15 2022

web aug 24 2011 découvrez ensuite comment choisir un langage serveur tirer parti du mode asynchrone et gerer une base de donnees l ouvrage s appuie tout au long des pages

guide complet ajax le guide complet amazon com au - Jul 11 2022

web find helpful customer reviews and review ratings for guide complet ajax le guide complet at amazon com read honest and unbiased product reviews from our users

ajax guide complet abebooks - Jan 17 2023

web abebooks com ajax le guide complet 9782822400176 by catteau bruno faugout nicolas and a great selection of similar new used and collectible books available now

the first descendant ajax guide complet youtube - Jan 05 2022

web ajax guide complet by catteau bruno 4results you searched for author catteau bruno title ajax guide complet edit your search listgrid sort by author artist a zauthor artist

ajax le guide complet catteau bruno auteur archive org - Aug 24 2023

web une méthode pour maîtriser ajax afin de créer des pages web d utiliser les css de structurer ses données avec xml et rendre le site compatible avec les différents

guide complet ajax le guide complet amazon co uk - Feb 18 2023

web ajax le guide complet by bruno catteau et nicolas faugout and a great selection of related books art and collectibles available now at abebooks com

ajax le guide complet développez des applications web avec - Jun 22 2023

web ajax le guide complet book read reviews from world s largest community for readers

la dictadura de los datos la verdadera historia desde dentro de - Mar 29 2022

web harpercollins gratis en epub mobi pdf la dictadura de los datos la verdadera historia desde dentro de cambridge analytica y de cómo el big data trump

datos y curiosidades sobre dictadura no sabes nada - Oct 24 2021

web el piloto que burló dos veces la dictadura cubana era hasta entonces un piloto y héroe cubano había combatido en angola a favor de la revolución que cuba apoyaba allí

la dictadura de los datos la verdadera historia desde - Jul 13 2023

web oct 22 2019 la dictadura de los datos la verdadera historia desde dentro de cambridge analytica y de cómo el big data trump y facebook rompieron la

la dictadura de los datos la verdadera historia - Sep 03 2022

web la verdadera historia desde dentro de cambridge analytica y de cómo el big data trump y facebook rompieron la democracia y cómo puede volver a pasar cuando brittany

pdf la dictadura de los datos by brittany kaiser perlego - Apr 29 2022

web la verdadera historia desde dentro de cambridge analytica y de cómo el big data trump y facebook rompieron la democracia y cómo puede volver a pasar cuando brittany

la dictadura de los datos la verdadera historia desde dentro de - Jul 01 2022

web la dictadura de los datos la verdadera historia desde dentro de cambridge analyt tapa blanda

la dictadura de los datos la verdadera historia desde dentro de - Nov 05 2022

web la verdadera historia desde dentro de cambridge analytica y de cómo el big data trump y facebook rompieron la democracia y cómo puede volver a pasar cuando

download la dictadura de los datos la verdadera historia - Feb 25 2022

web apr 14 2021 gratis la dictadura de los datos la verdadera historia desde dentro de cambridge analytica y de cómo el big data trump y facebook rompieron la

la dictadura de los datos redalyc - Feb 08 2023

web la dictadura de los datos autor brittany kaiser editorial harpercollins 2020 pp 494 isbn 8491394222 la historia que la presente obra contiene es por calificarla de

la dictadura de los datos la verdadera historia desde dentro de - May 11 2023

web feb 4 2020 la verdadera historia desde dentro de cambridge analytica y de cómo el big data trump y facebook rompieron la democracia y cómo puede volver a pasar

la dictadura de los datos la verdadera historia desde - Apr 10 2023

web la dictadura de los datos la verdadera historia desde dentro de cambridge analytica y cómo el big data trump y facebook rompieron la democracia y cómo puede volver a

la dictadura de los datos la verdadera historia desde dentro de - Aug 14 2023

web nov 13 2019 la dictadura de los datos la verdadera historia desde dentro de cambridge analytica y de cómo el big data trump y facebook rompieron la democracia y cómo puede volver a

la dictadura de los datos la verdadera historia desde dentro de - Oct 04 2022

web la dictadura de los datos la verdadera historia desde dentro de cambridge analytica y cómo el big data trump y facebook corrompieron la democracia y cómo puede volver

la dictadura de los datos la verdadera historia desde - Jun 12 2023

web nov 13 2019 la verdadera historia desde dentro de cambridge analytica y de cómo el big data trump y facebook

rompieron la democracia y cómo puede volver a pasar

la dictadura de los datos la verdadera historia desde dentro de - Jan 07 2023

web la dictadura de los datos la verdadera historia desde dentro de cambridge analytica y de cómo el big data trump y facebook rompieron la democracia y cómo puede volver a

la dictadura de los datos la verdadera historia d download - Dec 26 2021

web la verdadera historia del mundo jan 09 2021 los autores enfatizan la unidad total de la biblia tratándola como una narración de la historia del mundo dividida en seis partes

la dictadura de los datos kaiser brittany libro en papel - May 31 2022

web la verdadera historia desde dentro de cambridge analytica y de cómo el big data trump y facebook rompieron la democracia y cómo puede volver a pasar cuando brittany

la dictadura de los datos la verdadera historia desde dentro de - Dec 06 2022

web sep 23 2021 an edition of la dictadura de los datos la verdadera historia desde dentro de cambridge analytica y de cómo el big data trump y facebook rompieron la

la dictadura de los datos la verdadera historia desde dentro de - Mar 09 2023

web la dictadura de los datos la verdadera historia desde dentro de cambridge brittany kaiser google books brittany kaiser una ex directiva de cambridge analytica la

la dictadura de los datos la verdadera historia desde dentro de - Aug 02 2022

web la dictadura de los datos la verdadera historia desde dentro de cambridge analytica y de cómo el big data trump y facebook rompieron la democracia y cómo puede volver

la dictadura de los datos mit technology review - Jan 27 2022

web jun 5 2013 foto el secretario de defensa de estados unidos robert mcnamara en una conferencia de prensa sobre vietnam en el pentágono en 1965 los grandes volúmenes

la dictadura de los datos la verdadera historia d dotnbm - Nov 24 2021

web las dictaduras de nuestros días es una réplica a las dictaduras de francesc cambó pero mientras el libro de cambó ha pasado al olvido el de nin no lo ha hecho