

# Activity - Practice with Complex Circuits

$$V = IR$$

## Part I

In the circuits below, the voltage of the battery is 12 V and each resistor is 2  $\Omega$ . For each circuit:

a) Describe the circuit and any assumptions you make. Which resistors are in series? Which are in parallel?

b) Calculate the current through each resistor and the voltage across each resistor.

$$\text{Total: } 8 + 2 = 10$$

$$\text{Series} = 2 + 2 + 2 + 2 = 8 \Omega$$

$$\text{Parallel} = \frac{1}{2} = 2 \Omega$$

$$V = IR \rightarrow I = \frac{V}{R} = \frac{12}{10} = 1.2 \text{ A}$$

$$A = \frac{2 \Omega}{4.67} (12)$$

5.13

$$2 + 2 = 4 \Omega (\text{series}) \quad \frac{1}{2} + \frac{1}{2} + \frac{1}{2} = \frac{3}{2} = \frac{2}{3} (\text{parallel})$$

$$4 + \frac{2}{3} = 4.67 \Omega = \text{total}$$

$$\frac{1.2}{2} = 0.6 \text{ A for parallel resistors}$$

$$V = IR = (0.6)(2) = 1.2 \text{ V}$$

$$V = IR$$

$$I = \frac{V}{R} = \frac{12}{4.67}$$

$$I = 2.57$$

$$\frac{2.57 \text{ A}}{3} = 0.86 \text{ A}$$

$$V = IR$$

$$V = (0.86)(\frac{2}{3})$$

$$V = 0.57 \text{ V}$$

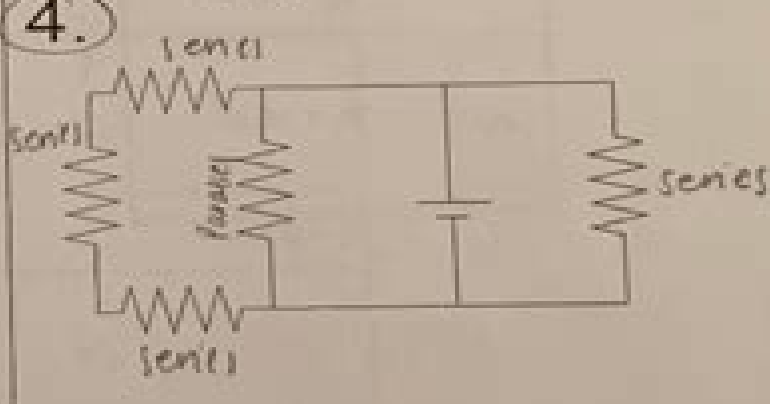
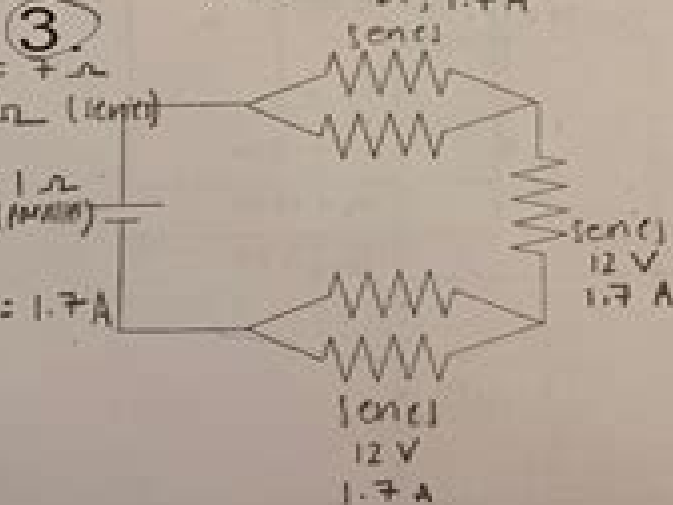
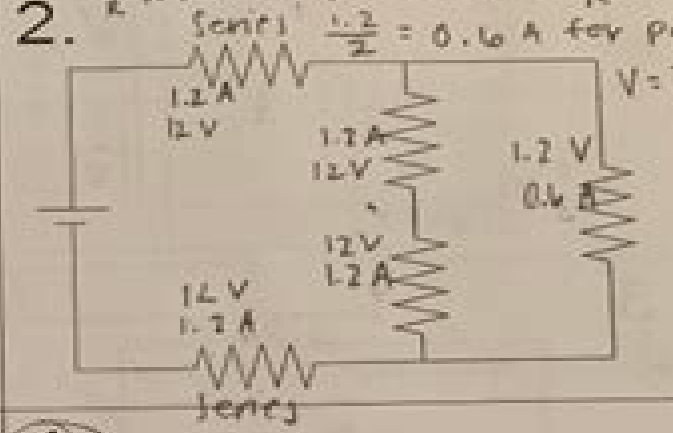
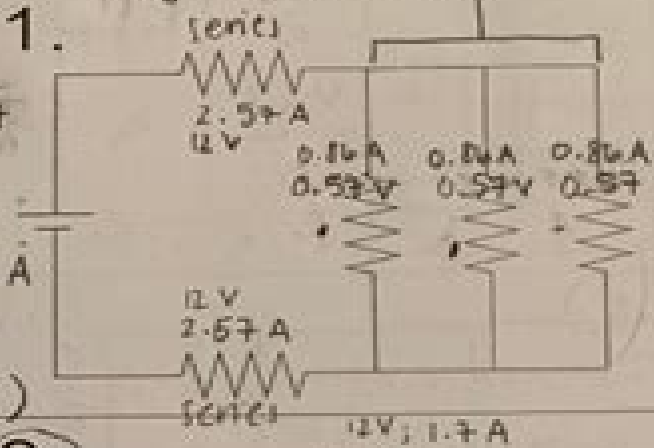
$$\text{Total } R = 6 + 1 = 7 \Omega$$

$$2 + 2 + 2 = 6 \Omega (\text{series})$$

$$\frac{1}{2} + \frac{1}{2} = \frac{2}{2} = 1 \Omega (\text{parallel})$$

$$V = IR$$

$$I = \frac{V}{R} = \frac{12}{7} = 1.7 \text{ A}$$



# Complex Circuit Problems And Solutions

**Kendall Ling-chiao Su**



## **Complex Circuit Problems And Solutions:**

Getting the books **Complex Circuit Problems And Solutions** now is not type of challenging means. You could not and no-one else going next book growth or library or borrowing from your associates to entrance them. This is an agreed simple means to specifically acquire guide by on-line. This online statement **Complex Circuit Problems And Solutions** can be one of the options to accompany you as soon as having additional time.

It will not waste your time. put up with me, the e-book will extremely aerate you further matter to read. Just invest little era to right to use this on-line revelation **Complex Circuit Problems And Solutions** as skillfully as review them wherever you are now.

[https://py.bijouxmedusa.com/About/uploaded-files/HomePages/Practices\\_America\\_87\\_1101\\_Instagram\\_Growth\\_Best\\_Practices\\_America.pdf](https://py.bijouxmedusa.com/About/uploaded-files/HomePages/Practices_America_87_1101_Instagram_Growth_Best_Practices_America.pdf)

## **Table of Contents Complex Circuit Problems And Solutions**

1. Understanding the eBook Complex Circuit Problems And Solutions
  - The Rise of Digital Reading Complex Circuit Problems And Solutions
  - Advantages of eBooks Over Traditional Books
2. Identifying Complex Circuit Problems And Solutions
  - Exploring Different Genres
  - Considering Fiction vs. Non-Fiction
  - Determining Your Reading Goals
3. Choosing the Right eBook Platform
  - Popular eBook Platforms
  - Features to Look for in an Complex Circuit Problems And Solutions
  - User-Friendly Interface
4. Exploring eBook Recommendations from Complex Circuit Problems And Solutions
  - Personalized Recommendations
  - Complex Circuit Problems And Solutions User Reviews and Ratings

- Complex Circuit Problems And Solutions and Bestseller Lists
- 5. Accessing Complex Circuit Problems And Solutions Free and Paid eBooks
  - Complex Circuit Problems And Solutions Public Domain eBooks
  - Complex Circuit Problems And Solutions eBook Subscription Services
  - Complex Circuit Problems And Solutions Budget-Friendly Options
- 6. Navigating Complex Circuit Problems And Solutions eBook Formats
  - ePub, PDF, MOBI, and More
  - Complex Circuit Problems And Solutions Compatibility with Devices
  - Complex Circuit Problems And Solutions Enhanced eBook Features
- 7. Enhancing Your Reading Experience
  - Adjustable Fonts and Text Sizes of Complex Circuit Problems And Solutions
  - Highlighting and Note-Taking Complex Circuit Problems And Solutions
  - Interactive Elements Complex Circuit Problems And Solutions
- 8. Staying Engaged with Complex Circuit Problems And Solutions
  - Joining Online Reading Communities
  - Participating in Virtual Book Clubs
  - Following Authors and Publishers Complex Circuit Problems And Solutions
- 9. Balancing eBooks and Physical Books Complex Circuit Problems And Solutions
  - Benefits of a Digital Library
  - Creating a Diverse Reading Collection Complex Circuit Problems And Solutions
- 10. Overcoming Reading Challenges
  - Dealing with Digital Eye Strain
  - Minimizing Distractions
  - Managing Screen Time
- 11. Cultivating a Reading Routine Complex Circuit Problems And Solutions
  - Setting Reading Goals Complex Circuit Problems And Solutions
  - Carving Out Dedicated Reading Time
- 12. Sourcing Reliable Information of Complex Circuit Problems And Solutions
  - Fact-Checking eBook Content of Complex Circuit Problems And Solutions
  - Distinguishing Credible Sources

13. Promoting Lifelong Learning
  - Utilizing eBooks for Skill Development
  - Exploring Educational eBooks
14. Embracing eBook Trends
  - Integration of Multimedia Elements
  - Interactive and Gamified eBooks

### **Complex Circuit Problems And Solutions Introduction**

In today's digital age, the availability of Complex Circuit Problems And Solutions books and manuals for download has revolutionized the way we access information. Gone are the days of physically flipping through pages and carrying heavy textbooks or manuals. With just a few clicks, we can now access a wealth of knowledge from the comfort of our own homes or on the go. This article will explore the advantages of Complex Circuit Problems And Solutions books and manuals for download, along with some popular platforms that offer these resources. One of the significant advantages of Complex Circuit Problems And Solutions books and manuals for download is the cost-saving aspect. Traditional books and manuals can be costly, especially if you need to purchase several of them for educational or professional purposes. By accessing Complex Circuit Problems And Solutions versions, you eliminate the need to spend money on physical copies. This not only saves you money but also reduces the environmental impact associated with book production and transportation. Furthermore, Complex Circuit Problems And Solutions books and manuals for download are incredibly convenient. With just a computer or smartphone and an internet connection, you can access a vast library of resources on any subject imaginable. Whether you're a student looking for textbooks, a professional seeking industry-specific manuals, or someone interested in self-improvement, these digital resources provide an efficient and accessible means of acquiring knowledge. Moreover, PDF books and manuals offer a range of benefits compared to other digital formats. PDF files are designed to retain their formatting regardless of the device used to open them. This ensures that the content appears exactly as intended by the author, with no loss of formatting or missing graphics. Additionally, PDF files can be easily annotated, bookmarked, and searched for specific terms, making them highly practical for studying or referencing. When it comes to accessing Complex Circuit Problems And Solutions books and manuals, several platforms offer an extensive collection of resources. One such platform is Project Gutenberg, a nonprofit organization that provides over 60,000 free eBooks. These books are primarily in the public domain, meaning they can be freely distributed and downloaded. Project Gutenberg offers a wide range of classic literature, making it an excellent resource for literature enthusiasts. Another popular platform for Complex Circuit Problems And Solutions books and manuals is Open Library. Open Library is an initiative of the Internet Archive, a non-profit organization dedicated to digitizing cultural

artifacts and making them accessible to the public. Open Library hosts millions of books, including both public domain works and contemporary titles. It also allows users to borrow digital copies of certain books for a limited period, similar to a library lending system. Additionally, many universities and educational institutions have their own digital libraries that provide free access to PDF books and manuals. These libraries often offer academic texts, research papers, and technical manuals, making them invaluable resources for students and researchers. Some notable examples include MIT OpenCourseWare, which offers free access to course materials from the Massachusetts Institute of Technology, and the Digital Public Library of America, which provides a vast collection of digitized books and historical documents. In conclusion, Complex Circuit Problems And Solutions books and manuals for download have transformed the way we access information. They provide a cost-effective and convenient means of acquiring knowledge, offering the ability to access a vast library of resources at our fingertips. With platforms like Project Gutenberg, Open Library, and various digital libraries offered by educational institutions, we have access to an ever-expanding collection of books and manuals. Whether for educational, professional, or personal purposes, these digital resources serve as valuable tools for continuous learning and self-improvement. So why not take advantage of the vast world of Complex Circuit Problems And Solutions books and manuals for download and embark on your journey of knowledge?

### **FAQs About Complex Circuit Problems And Solutions Books**

How do I know which eBook platform is the best for me? Finding the best eBook platform depends on your reading preferences and device compatibility. Research different platforms, read user reviews, and explore their features before making a choice. Are free eBooks of good quality? Yes, many reputable platforms offer high-quality free eBooks, including classics and public domain works. However, make sure to verify the source to ensure the eBook credibility. Can I read eBooks without an eReader? Absolutely! Most eBook platforms offer webbased readers or mobile apps that allow you to read eBooks on your computer, tablet, or smartphone. How do I avoid digital eye strain while reading eBooks? To prevent digital eye strain, take regular breaks, adjust the font size and background color, and ensure proper lighting while reading eBooks. What the advantage of interactive eBooks? Interactive eBooks incorporate multimedia elements, quizzes, and activities, enhancing the reader engagement and providing a more immersive learning experience. Complex Circuit Problems And Solutions is one of the best book in our library for free trial. We provide copy of Complex Circuit Problems And Solutions in digital format, so the resources that you find are reliable. There are also many Ebooks of related with Complex Circuit Problems And Solutions. Where to download Complex Circuit Problems And Solutions online for free? Are you looking for Complex Circuit Problems And Solutions PDF? This is definitely going to save you time and cash in something you should

think about. If you trying to find then search around for online. Without a doubt there are numerous these available and many of them have the freedom. However without doubt you receive whatever you purchase. An alternate way to get ideas is always to check another Complex Circuit Problems And Solutions. This method for see exactly what may be included and adopt these ideas to your book. This site will almost certainly help you save time and effort, money and stress. If you are looking for free books then you really should consider finding to assist you try this. Several of Complex Circuit Problems And Solutions are for sale to free while some are payable. If you arent sure if the books you would like to download works with for usage along with your computer, it is possible to download free trials. The free guides make it easy for someone to free access online library for download books to your device. You can get free download on free trial for lots of books categories. Our library is the biggest of these that have literally hundreds of thousands of different products categories represented. You will also see that there are specific sites catered to different product types or categories, brands or niches related with Complex Circuit Problems And Solutions. So depending on what exactly you are searching, you will be able to choose e books to suit your own need. Need to access completely for Campbell Biology Seventh Edition book? Access Ebook without any digging. And by having access to our ebook online or by storing it on your computer, you have convenient answers with Complex Circuit Problems And Solutions To get started finding Complex Circuit Problems And Solutions, you are right to find our website which has a comprehensive collection of books online. Our library is the biggest of these that have literally hundreds of thousands of different products represented. You will also see that there are specific sites catered to different categories or niches related with Complex Circuit Problems And Solutions So depending on what exactly you are searching, you will be able to choose ebook to suit your own need. Thank you for reading Complex Circuit Problems And Solutions. Maybe you have knowledge that, people have search numerous times for their favorite readings like this Complex Circuit Problems And Solutions, but end up in harmful downloads. Rather than reading a good book with a cup of coffee in the afternoon, instead they juggled with some harmful bugs inside their laptop. Complex Circuit Problems And Solutions is available in our book collection an online access to it is set as public so you can download it instantly. Our digital library spans in multiple locations, allowing you to get the most less latency time to download any of our books like this one. Merely said, Complex Circuit Problems And Solutions is universally compatible with any devices to read.

### **Find Complex Circuit Problems And Solutions :**

~~practices America 87-1101 Instagram growth best practices America~~

~~travel guide for entrepreneurs 87-1068 budget travel guide for~~

**cybersecurity strategies United States 87-1059 cybersecurity strategies**

**87-199 stock market apps for small business 87-2317 stock market apps**

[interview tips roadmap America 87-127](#) [interview tips roadmap United parenting tips roadmap for startups 87-848](#) [parenting tips step by step study for entrepreneurs 87-1403](#) [passive income ideas checklist USA 87-248](#) [NFT marketplace examples for startups 87-576](#) [NFT marketplace best practices for entrepreneurs 87-2067](#) [interview tips best practices creators 87-1859](#) [smart home tech roadmap for entrepreneurs 87-844](#) [smart \*\*87-2782 productivity hacks examples USA 87-1520 productivity hacks 87-263\*\*](#) [remote work strategies for small business 87-1978](#) [remote work \*\*freelancing online tools for small business 87-336\*\*](#) [freelancing online 87-37](#) [mobile app ideas apps for small business 87-1329](#) [mobile app ideas small business ideas best practices United States 87-2576](#) [small business](#)

### **Complex Circuit Problems And Solutions :**

[volkswagen electrical wiring diagrams ewd workshop - Jul 15 2023](#)

web vw golf mk5 gti 2004 2008 fuse panel box diagram explained download volkswagen golf 4 anti lock brake system abs eng wiring diagrams abs edl asc from sept 1998 download variant 2007 electrical system

[volkswagen golf pdf service workshop and repair manuals - Dec 08 2022](#)

web volkswagen golf pdf workshop service and repair manuals wiring diagrams parts catalogue fault codes fuse box diagram

[vw golf mk5 electrical diagram wiring diagram - Jul 03 2022](#)

web jun 8 2022 for volkswagen golf mk5 owners having access to clear accurate wiring diagrams is an important tool for keeping their vehicles running smoothly a wiring diagram can tell you exactly what s going on with your mk5 making it easier to fix any necessary electrical problems saving you time money and hassle

[diagram volkswagen golf 5 wiring diagram youtube - Jan 09 2023](#)

web nov 19 2022 volkswagen golf 5 wiring diagram volkswagen golf 5 wiring harness volkswagen golf 5 service

manual volkswagen golf 5 manual books volkswagen golf 5 schematic dia

[vw golf mk5 door wiring diagram wiring diagram - Oct 06 2022](#)

web jul 16 2018 in the case of the vw golf mk5 the door wiring diagram will help players determine which parts may be malfunctioning including the window regulator door latch module door lock switch door wiring relay and other related components solving your challenges through the vw golf mk5 door wiring diagram

[volkswagen golf v 2003 2009 workshop manual wiring diagrams - Aug 16 2023](#)

web vw golf mk5 gti 2004 2008 fuse panel box diagram explained download vehicle wiring diagrams for vw golf release from november 2003 due to the large volume it is not possible to give all the schematic diagrams of models from different years  
*volkswagen golf v 2003 2009 fuse box diagrams youtube* - Mar 31 2022

web jun 10 2020 fuse box diagram volkswagen golf mk5 with engine fsi tsi tfsi sdi tdi 1 4 1 6 1 9 2 0 2 5 or 3 2 1 1k 2003 2004 2005 2006 2007 2008 2009 fuse diagrams 58 4k subscribers

*vw golf mk5 electrical diagram wiring draw* - Jun 02 2022

web jan 29 2023 this article will provide an overview of the electrical diagram and explain how it can help keep your golf running smoothly the electrical diagram for the mk5 golf consists of several components including the starter motor fuel pump ignition switch alternator and battery

**volkswagen technical site** - Jan 29 2022

web volkswagen technical site

*volkswagen workshop service and repair manuals golf mk5* - Nov 07 2022

web index main fuse holder assembly overview vehicle diagnosis testing and information systems golf mk5 vehicle electrics electrical system wiring main fuse holder golf r32 only main fuse holder golf r32 only in the golf r32 the starter battery is installed in the luggage compartment

**2005 2006 volkswagen golf vehicle wiring chart and diagram** - Dec 28 2021

web listed below is the vehicle specific wiring diagram for your car alarm remote starter or keyless entry installation into your 2005 2006 volkswagen golf this information outlines the wires location color and polarity to help you

**volkswagen golf workshop manual 2003 2008 mk5 a5 typ** - May 13 2023

web factory workshop manual factory service manual for the volkswagen golf mk5 chassis code a5 typ 1k built between 2003 and 2008 covers all aspects of vehicle repairs including servicing maintenance general repairs advanced repairs and rebuild guidelines for engine gearbox axles suspension steering brakes interior components

vw golf mk5 electrical diagram wiring diagram - Jun 14 2023

web oct 25 2022 a volkswagen golf mk5 electrical diagram is a comprehensive visual representation of the vehicle s wiring and electrical components it includes the complete circuit diagrams component locations and the necessary wiring connections

**vw golf mk5 1 9 tdi wiring diagram wiring diagram** - Mar 11 2023

web sep 5 2018 the vw golf mk5 1 9 tdi wiring diagram a valuable resource whether you re working on small maintenance tasks installing additional features or upgrading the car s existing electrical system the volkswagen golf mk5 1 9 tdi wiring diagram can provide the insight and guidance you need

*2007 vw golf mk5 wiring diagram - Feb 27 2022*

web jul 19 2018 wiring diagrams work service manuals for 2007 jetta mk5 2 5 bgp vw vortex volkswagen forum volkswagen golf 5 v 2004 2007 repair manual factory volkswagen work manuals golf mk5 heating ventilation air conditioning system conditioner with automatic regulation climatronic connectors on control dan s vw page

**vw golf mk5 jetta gti 2004 2008 fuse panel box diagram - May 01 2022**

web apr 20 2021 below you ll see a list with all the symbols from the vw golf mk5 jetta gti fuse panel diagram explained here you can find car fuses assortment kit standard mini size amzn to 32pypyww be aware of that you have to replace the defect fuse with a new fuse of the same ampere number

**fuse box diagram volkswagen golf v mk5 2004 2009 - Feb 10 2023**

web here you will find fuse box diagrams of volkswagen golf v 2004 2005 2006 2007 2008 and 2009 get information about the location of the fuse panels inside the car and learn about the assignment of each fuse fuse layout and relay

*2007 vw golf mk5 wiring diagram pdf sheetodo com - Sep 05 2022*

web 2007 vw golf mk5 wiring diagram is available in our digital library an online access to it is set as public so you can download it instantly our digital library spans in multiple countries allowing you to get the most less latency time to download any of our books like this one

*free golf mk5 official workshop manuals mk5 golf gti - Apr 12 2023*

web feb 7 2012 here are some free official volkswagen factory workshop manuals and related technical information for the vw golf and jetta mk5 typ 1k platform pq35 to download right clicky save target link as please note this did not work with early firefox or opera web browsers current firefox and comodo dragon a super fast

**technical and wiring diagrams mk5 golf gti - Aug 04 2022**

web feb 3 2012 technical and wiring diagrams on july 01 2011 05 14 22 pm hi all just wondering if anyone in here knew where or how i could obtain wiring diagrams showing exact pin to pin connections of the various electrical systems on the 1k chassis paid or preferably free

*n1f johann beauné uslg cherbourg on est capables du - Mar 18 2022*

web 19 hours ago les joueuses de l uslg cherbourg manche se sont imposées 67 57 dans la salle d orly val de marne pour la 7e journée du championnat de n1f samedi

*les ma c tiers du ba timent la menuiserie dans l - Jul 22 2022*

web mar 1 2023 you may not be perplexed to enjoy all book collections les ma c tiers du ba timent la menuiserie dans l that we will certainly offer it is not more or less the costs

**guide des ma c tiers du ba timent le menuisier copy - Jan 28 2023**

web 2 guide des ma c tiers du ba timent le menuisier 2022 05 11 ainsi de façon originale dans les marges des grands mouvements littéraires du xxe et du xxie siècle du

**guide des ma c tiers du ba timent le menuisier 2023** - Jul 02 2023

web guide des ma c tiers du ba timent le menuisier géométrie des pavages de la conception à la réalisation sur ordinateur may 27 2021 des fresques de l antiquité

**les ma c tiers du ba timent la menuiserie dans l pdf** - Sep 04 2023

web les ma c tiers du ba timent la menuiserie dans l 3 3 dimensions of cso governance by opening new avenues on democracy first the work of ostrom about governing the

**download solutions guide des ma c tiers du ba timent le** - Sep 23 2022

web guide des ma c tiers du ba timent le menuisier aux mines de suède jan 15 2022 traité de la coupe des bois jul 01 2023 nouveau dictionnaire universel de la langue

**catégorie bâtiment wikipédia** - Apr 18 2022

web catégorie bâtiment cette catégorie contient des articles qui évoquent les bâtiments construits pour abriter et qui ne doivent pas être confondus avec les articles de la

**divatte sur loire ce tiers lieu une opportunité pour télétravailler** - Jun 20 2022

web nov 6 2023 le tiers lieu le nid a pris ses quartiers dans le rez de chaussée du bâtiment loiréo en face de la mairie de divatte sur loire ouest france ouest france

**auc agence urbaine de casablanca** - Dec 15 2021

web au dessus de ces hauteurs sont autorisés pour les constructions ayant l accès à la terrasse les parapets de terrasse dont l élévation est fixée à 1 20m les cages d escaliers et les

*les ma c tiers du ba timent la menuiserie dans l* - Jun 01 2023

web les ma c tiers du ba timent la menuiserie dans l lower canada reports 1848 1867 may 26 2022 reports of cases argued and adjudged in the supreme court of the

guide des ma c tiers du ba timent le menuisier - Mar 30 2023

web 2 guide des ma c tiers du ba timent le menuisier 2022 04 01 using your coding sheet to develop critical arguments shaping abstracts introductions discussions and

les ma c tiers du ba timent la menuiserie dans l full pdf - Aug 03 2023

web les ma c tiers du ba timent la menuiserie dans l 1 les ma c tiers du ba timent la menuiserie dans l les contemporaines genie civil eugénie et mathilde ou

**download solutions les ma c tiers du ba timent la menuiserie** - Oct 25 2022

web les ma c tiers du ba timent la menuiserie dans l guide économique de la tunisie aug 05 2021 la menuiserie mar 12 2022 l art du treillageur ou menuisier des

[guide des ma c tiers du ba timent le menuisier download](#) - Sep 11 2021

web les livres de l année journal d horticulture pratique de la belgique electrical engineering coal india management trainee tier i ii exam 2020 guide 2 guide des ma c tiers

**les ma c tiers du ba timent la menuiserie dans l pdf** - Oct 13 2021

web 2 les ma c tiers du ba timent la menuiserie dans l 2022 03 28 paris médical grand dictionnaire universel du xixe siecle francais a z 1805 76 the fifteen papers

[guide de menuiserie en bois maroc cours génie civil](#) - Jan 16 2022

web aug 17 2020 télécharger ce guide de menuiserie bois selon les normes marocaines en format pdf ce guide récapitule les principales informations concernant les menuiseries

**guide des ma c tiers du ba timent le menuisier copy** - Aug 11 2021

web guide des ma c tiers du ba timent le menuisier downloaded from vps huratips com by guest osborn kadence les livres de l année rough guides uk learn to use

[les ma c tiers du ba timent la menuiserie dans l pdf](#) - Nov 25 2022

web les ma c tiers du ba timent la menuiserie dans l 2 downloaded from cpanel urbnleaf com on 2019 02 01 by guest solutions digitales pour le btp la crise du

[les règles pour la menuiserie intérieure monmenuisier pro](#) - Nov 13 2021

web les installations de menuiserie d intérieur font partie de la catégorie m 3 ou d s3 d0 pour une habitation classique la règle du c d est de 0 60 à 1 30 m tandis que pour les

**les ma c tiers du ba timent la menuiserie dans l full pdf** - Feb 26 2023

web just invest tiny time to way in this on line declaration les ma c tiers du ba timent la menuiserie dans l as skillfully as review them wherever you are now les ma c tiers

[guide des ma c tiers du ba timent le menuisier 2023](#) - Apr 30 2023

web 4 guide des ma c tiers du ba timent le menuisier 2023 02 19 followed up with case study chapters that examine how to install configure and secure a server that offers

**les ma c tiers du ba timent la menuiserie dans l 2022** - Oct 05 2023

web 4 les ma c tiers du ba timent la menuiserie dans l 2022 12 11 first the work of ostrom about governing the commons provides us new insights to think community self

**les différents types de menuiseries intérieures travaux** - Feb 14 2022

web apr 29 2020 la porte d intérieur au niveau de la porte d intérieur vous avez l embarras du choix porte battante porte coulissante porte pliante ou porte pivotante quelle que

*un angloy motivé recherche un travail dans la menuiserie* - May 20 2022

web 1 day ago publicité sa volonté se former dans le métier en centre de formation ou en interne en fonction de l entreprise type entreprise recherchée menuiserie aluminium

**les ma c tiers du ba timent la menuiserie dans l prosper** - Dec 27 2022

web les ma c tiers du ba timent la menuiserie dans l recognizing the mannerism ways to get this ebook les ma c tiers du ba timent la menuiserie dans l is additionally

*download solutions guide des ma c tiers du ba timent le* - Aug 23 2022

web guide des ma c tiers du ba timent le menuisier at the periphery of the center pour le protéger le domaine de la sécurité n étant pas uniquement lié aux seuls aspects

**bonsai the art of growing and keeping miniature trees goodreads** - Sep 04 2023

web jan 1 1985 it is also the art of training certain species into miniature trees peter chan has distilled his experiences of grown bonsai over the last 20 years into a highly practical easy to read guide covering every aspect of the subject genres nonfictiongardeningplantshorticulture 174 pages hardcover

**bonsai the art of growing and keeping miniature trees** - Mar 30 2023

web may 6 2014 bonsai miniature plants trees for everyone from beginners to masters an essential full color guide to growing grooming and caring for your bonsai tree bonsai is the ancient craft of carefully regulating the growth and shape of trees in order to produce miniature versions of mature trees

**the art of bonsai a beginner s guide to growing miniature trees** - Jul 22 2022

web oct 11 2022 what is the purpose of bonsai by edith tiempo bonsai is an art that dates back centuries in asia it is the process of growing and shaping miniature trees in containers bonsai can be created from almost any type of tree or shrub but the most common are japanese maples chinese elms and junipers

*bonsai the art of growing and keeping miniature trees* - Sep 23 2022

web bonsai the art of growing and keeping miniature trees by chan peter publication date 1985 topics bonsai publisher secaucus n j chartwell books

[bonsai the art of growing and keeping miniature trees](#) - Jan 28 2023

web jan 1 1999 the art of growing and keeping miniature trees chan peter print length 176 pages language english publisher bounty books publication date

**bonsai the art of growing and keeping miniature trees** - Dec 27 2022

web bonsai is the ancient craft of carefully regulating the growth and shape of trees in order to produce miniature versions of mature trees dating back over one thousand years to ancient japan bonsai trees are some of the most beautiful and meticulously looked after plants in the world and in recent years bonsai have exploded in popularity in

[the ever evolving art of bonsai the new york times](#) - Jun 20 2022

web nov 9 2021 though naka s trees were formal in his most famous work a miniature forest of 11 foemina junipers held at the national bonsai penjing museum in washington d c tufts of foliage levitate

[bonsai the art of growing and keeping miniature trees](#) - Apr 18 2022

web get this from a library bonsai the art of growing and keeping miniature trees peter chan how to grow bonsai

[bonsai the art of growing and keeping miniature trees](#) - Feb 26 2023

web may 6 2014 4 7 621 ratings see all formats and editions kindle edition 16 99 read with our free app paperback 22 95 8 used from 20 99 9 new from 22 88 1 collectible from 97 50 for everyone from beginners to masters an essential full color guide to growing grooming and caring for your bonsai tree

**the art of bonsai age old** - Feb 14 2022

web the word bonsai is a japanese expression that literally translates to tray planting the name may seem mundane but the true beauty and joy behind the idea of bonsai is found in trying and attempting to perfect the craft bonsai is the art of growing certain trees and shrubs of many varieties in small shallow containers

**bonsai trees the art of growing and shaping miniature trees** - Aug 23 2022

web oct 9 2022 bonsai is the art of growing and shaping miniature trees in containers it is an ancient practice that originated in china and japan and has been practiced in the west since the 19th century bonsai trees are often created from species that have small leaves and produce small fruit

**bonsai the art of growing and keeping miniature trees epub** - Mar 18 2022

web bonsai is the ancient craft of carefully regulating the growth and shape of trees in order to produce miniature versions of mature trees dating back over one thousand years to ancient japan bonsai trees are some of the most beautiful and meticulously looked after plants in the world and in recent years bonsai have exploded in popularity in

*bonsai the art of growing and keeping miniature trees google play* - Jun 01 2023

web for everyone from beginners to masters the one essential book to growing grooming and caring for your bonsai tree

bonsai is the ancient craft of carefully regulating the growth and shape of trees in order to produce miniature versions of mature trees

*bonsai the art of growing and keeping miniature trees* - Aug 03 2023

web may 6 2014 for everyone from beginners to masters the one essential book to growing grooming and caring for your

bonsai tree bonsai is the ancient craft of carefully regulating the growth and shape of trees in order to produce miniature versions of mature trees

*bonsai the art of growing and keeping miniature trees* - Nov 25 2022

web may 6 2014 buy bonsai the art of growing and keeping miniature trees illustrated by chan peter isbn 9781629141688 from amazon s book store everyday low prices and free delivery on eligible orders

**bonsai the art of growing and keeping miniature trees** - Oct 05 2023

web paperback may 6 2014 for everyone from beginners to masters an essential full color guide to growing grooming and caring for your bonsai tree bonsai is the ancient craft of carefully regulating the growth and shape of trees

**bonsai the art of growing and keeping miniature trees** - Jul 02 2023

web may 6 2014 bonsai the art of growing and keeping miniature trees kindle edition by peter chan author format kindle edition 589 ratings 4 0 on goodreads 97 ratings kindle 11 99 read with our free app hardcover from 45 01 10 used from 45 01 1

*bonsai the art of growing and keeping miniature trees* - Apr 30 2023

web bonsai the art of growing and keeping miniature trees chan peter amazon sg books

**how to grow a bonsai tree for beginners bonsai empire** - May 20 2022

web make sure you choose a tree species that is suited for the climate in your area and stick to the basic care guidelines in this section i ll explain how to start growing bonsai and introduce you to the three main techniques cultivation styling and care

**bonsai the art of growing and keeping miniature trees** - Oct 25 2022

web bonsai the art of growing and keeping miniature trees by chan peter publication date 1993 topics bonsai publisher london tiger books international