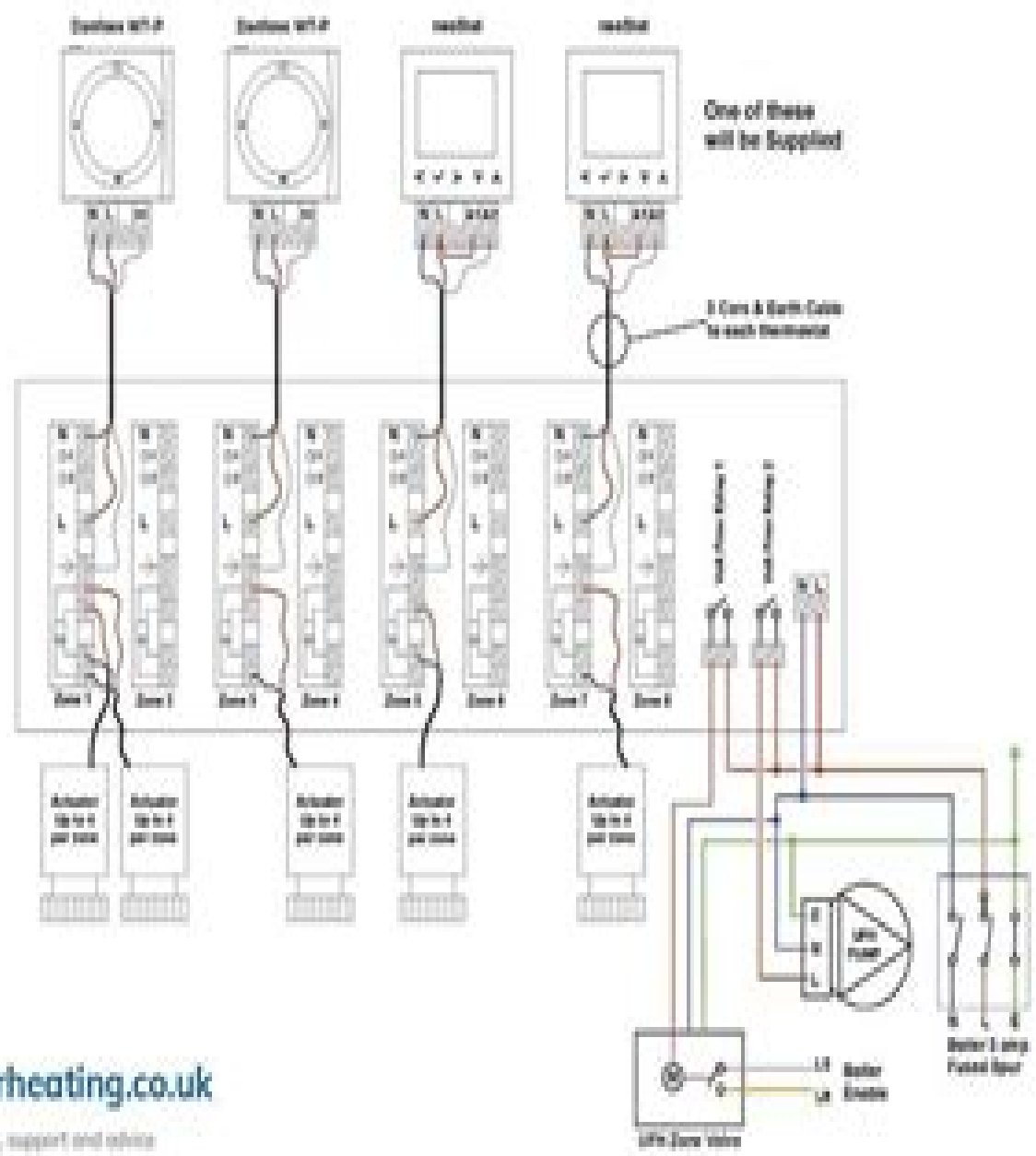


Wiring using a Wiring Centre (Multi Zone)



Connection Example Danfoss

Peipei Pang



Connection Example Danfoss:

Decoding **Connection Example Danfoss**: Revealing the Captivating Potential of Verbal Expression

In a time characterized by interconnectedness and an insatiable thirst for knowledge, the captivating potential of verbal expression has emerged as a formidable force. Its capability to evoke sentiments, stimulate introspection, and incite profound transformations is genuinely awe-inspiring. Within the pages of "**Connection Example Danfoss**," a mesmerizing literary creation penned by a celebrated wordsmith, readers embark on an enlightening odyssey, unraveling the intricate significance of language and its enduring affect our lives. In this appraisal, we shall explore the book is central themes, evaluate its distinctive writing style, and gauge its pervasive influence on the hearts and minds of its readership.

https://py.bijouxmedusa.com/book/detail/Download_PDFS/Atlantis_Found_Dirk_Pitt_15_Dirk_Pitt_Adventure_Series.pdf

Table of Contents Connection Example Danfoss

1. Understanding the eBook Connection Example Danfoss
 - The Rise of Digital Reading Connection Example Danfoss
 - Advantages of eBooks Over Traditional Books
2. Identifying Connection Example Danfoss
 - Exploring Different Genres
 - Considering Fiction vs. Non-Fiction
 - Determining Your Reading Goals
3. Choosing the Right eBook Platform
 - Popular eBook Platforms
 - Features to Look for in an Connection Example Danfoss
 - User-Friendly Interface
4. Exploring eBook Recommendations from Connection Example Danfoss
 - Personalized Recommendations
 - Connection Example Danfoss User Reviews and Ratings
 - Connection Example Danfoss and Bestseller Lists

5. Accessing Connection Example Danfoss Free and Paid eBooks
 - Connection Example Danfoss Public Domain eBooks
 - Connection Example Danfoss eBook Subscription Services
 - Connection Example Danfoss Budget-Friendly Options
6. Navigating Connection Example Danfoss eBook Formats
 - ePub, PDF, MOBI, and More
 - Connection Example Danfoss Compatibility with Devices
 - Connection Example Danfoss Enhanced eBook Features
7. Enhancing Your Reading Experience
 - Adjustable Fonts and Text Sizes of Connection Example Danfoss
 - Highlighting and Note-Taking Connection Example Danfoss
 - Interactive Elements Connection Example Danfoss
8. Staying Engaged with Connection Example Danfoss
 - Joining Online Reading Communities
 - Participating in Virtual Book Clubs
 - Following Authors and Publishers Connection Example Danfoss
9. Balancing eBooks and Physical Books Connection Example Danfoss
 - Benefits of a Digital Library
 - Creating a Diverse Reading Collection Connection Example Danfoss
10. Overcoming Reading Challenges
 - Dealing with Digital Eye Strain
 - Minimizing Distractions
 - Managing Screen Time
11. Cultivating a Reading Routine Connection Example Danfoss
 - Setting Reading Goals Connection Example Danfoss
 - Carving Out Dedicated Reading Time
12. Sourcing Reliable Information of Connection Example Danfoss
 - Fact-Checking eBook Content of Connection Example Danfoss
 - Distinguishing Credible Sources
13. Promoting Lifelong Learning

- Utilizing eBooks for Skill Development
 - Exploring Educational eBooks
14. Embracing eBook Trends
- Integration of Multimedia Elements
 - Interactive and Gamified eBooks

Connection Example Danfoss Introduction

In the digital age, access to information has become easier than ever before. The ability to download Connection Example Danfoss has revolutionized the way we consume written content. Whether you are a student looking for course material, an avid reader searching for your next favorite book, or a professional seeking research papers, the option to download Connection Example Danfoss has opened up a world of possibilities. Downloading Connection Example Danfoss provides numerous advantages over physical copies of books and documents. Firstly, it is incredibly convenient. Gone are the days of carrying around heavy textbooks or bulky folders filled with papers. With the click of a button, you can gain immediate access to valuable resources on any device. This convenience allows for efficient studying, researching, and reading on the go. Moreover, the cost-effective nature of downloading Connection Example Danfoss has democratized knowledge. Traditional books and academic journals can be expensive, making it difficult for individuals with limited financial resources to access information. By offering free PDF downloads, publishers and authors are enabling a wider audience to benefit from their work. This inclusivity promotes equal opportunities for learning and personal growth. There are numerous websites and platforms where individuals can download Connection Example Danfoss. These websites range from academic databases offering research papers and journals to online libraries with an expansive collection of books from various genres. Many authors and publishers also upload their work to specific websites, granting readers access to their content without any charge. These platforms not only provide access to existing literature but also serve as an excellent platform for undiscovered authors to share their work with the world. However, it is essential to be cautious while downloading Connection Example Danfoss. Some websites may offer pirated or illegally obtained copies of copyrighted material. Engaging in such activities not only violates copyright laws but also undermines the efforts of authors, publishers, and researchers. To ensure ethical downloading, it is advisable to utilize reputable websites that prioritize the legal distribution of content. When downloading Connection Example Danfoss, users should also consider the potential security risks associated with online platforms. Malicious actors may exploit vulnerabilities in unprotected websites to distribute malware or steal personal information. To protect themselves, individuals should ensure their devices have reliable antivirus software installed and validate the legitimacy of the websites they are downloading from. In conclusion, the ability to download Connection Example

Danfoss has transformed the way we access information. With the convenience, cost-effectiveness, and accessibility it offers, free PDF downloads have become a popular choice for students, researchers, and book lovers worldwide. However, it is crucial to engage in ethical downloading practices and prioritize personal security when utilizing online platforms. By doing so, individuals can make the most of the vast array of free PDF resources available and embark on a journey of continuous learning and intellectual growth.

FAQs About Connection Example Danfoss Books

How do I know which eBook platform is the best for me? Finding the best eBook platform depends on your reading preferences and device compatibility. Research different platforms, read user reviews, and explore their features before making a choice. Are free eBooks of good quality? Yes, many reputable platforms offer high-quality free eBooks, including classics and public domain works. However, make sure to verify the source to ensure the eBook credibility. Can I read eBooks without an eReader? Absolutely! Most eBook platforms offer web-based readers or mobile apps that allow you to read eBooks on your computer, tablet, or smartphone. How do I avoid digital eye strain while reading eBooks? To prevent digital eye strain, take regular breaks, adjust the font size and background color, and ensure proper lighting while reading eBooks. What the advantage of interactive eBooks? Interactive eBooks incorporate multimedia elements, quizzes, and activities, enhancing the reader engagement and providing a more immersive learning experience. Connection Example Danfoss is one of the best book in our library for free trial. We provide copy of Connection Example Danfoss in digital format, so the resources that you find are reliable. There are also many Ebooks of related with Connection Example Danfoss. Where to download Connection Example Danfoss online for free? Are you looking for Connection Example Danfoss PDF? This is definitely going to save you time and cash in something you should think about.

Find Connection Example Danfoss :

atlantis found dirk pitt 15 dirk pitt adventure series

athens lonely planet

aws storage gateway vm import export

auto diagnostic tools for pc avidox

assessing infants and preschoolers with special needs 3rd edition

atc anatomical therapeutic chemical classification system

[b00psg5op2 it20](#)

[aws iot developer guide github](#)

[atkins physical chemistry solutions](#)

[autonomous maintenance in seven steps implementing tpm on the shop floor](#)

**audition etudes for snare drum timpani keyboard percussion and multiple percussion
astm e165**

[atomic structure periodic table answer key](#)

[asheroff and mermin chapter 31 solutions bing just pdf](#)

authors william shakespeare weebly

Connection Example Danfoss :

[hustler photo photos and premium high res pictures getty - Sep 27 2021](#)

back issues the hustler magazine story official trailer 1 2014 - May 16 2023

[jul 1 2014 back issues the hustler magazine story official trailer 1 2014 documentary hd youtube subscribe to trailers bit ly
sxaw6hsubscribe to coming soon](#)

october term 1987 syllabus 485 u s library of congress - May 04 2022

[may 2014 hustler magazine 1 may 2014 hustler magazine right here we have countless books may 2014 hustler magazine
and collections to check out we additionally meet the](#)

hustler usa may 2014 free pdf magazine download - Sep 20 2023

[january 8 2021 admin for men s interest 2014 hustler hustler usa may 2014 may usa hustler usa november 2008 hustler usa
may 2009 free download hustler usa](#)

hustler giant archive of downloadable pdf magazines - Aug 19 2023

[hustler usa november 1986 more than 200 000 digital copies of magazines in one place](#)

272 hustler magazine photos high res pictures - Dec 11 2022

[hustler may 2003 4 99 hustler june 2014 4 99 barely legal february 2009 4 99 hustler march 1983 4 99 hustler december
1976 4 99 add to cart quick view](#)

hustler usa downmags org download online pdf magazines - Jun 17 2023

[hustler usa may 2005 january 27 2021 4 26 pm hustler usa august 2005 january 27 2021 4 18 pm hustler usa december 2002
january 24 2021 7 28 pm we put a great](#)

[may 2014 hustler magazine live deskmy com](#) - Mar 02 2022

hustler magazine a men s pornographic magazine published by larry flynt publications hustler club a chain of bars and go clubs using the brand name licensed by larry flynt

hustler magazine series librarything - Nov 10 2022

jun 19 1996 hustler usa november 2004 addeddate 2022 06 04 07 52 29 identifier hustler usa november 2004 identifier ark ark 13960 s25cqxz10k0 ocr tesseract 5 0 0 1

vintage hustlermagazine - Oct 09 2022

find the perfect hustler magazine stock photo image vector illustration or 360 image available for both rf and rm licensing

hustler complete collection 1974 2023 hustlermagazine - Mar 14 2023

like never before with just a single purchase download the complete hustler archive of magazines from the very first issue ever to the latest and enjoy every hustler barely legal

the 10 best and most controversial hustler magazine - Jan 12 2023

series author hustler 484 works popularity 69 894 47 members 540 books 0 reviews label publication hustler magazine july 1976 by hustler magazine 2 copies order 1976 07

[hustler usa may 2023 download pdf magazines archive com](#) - Jun 05 2022

hustler magazine september 1974 4 copies hustler magazine april 2002 4 copies barely legal magazine july 2006 4 copies barely legal magazine december 2006 4 copies

[hustler wikipedia](#) - Dec 31 2021

jan 11 2022 hustler collection opensource language english have fun addeddate 2022 01 11 18 24 39 identifier hustler usa novemberl 1977 202201 identifier ark

[hustler usa november 2004 ad mag archive org](#) - Sep 08 2022

feb 23 2022 hustler may 1977 pdf 23 feb 2022 03 07 139 1m hustler may 1977 jp2 zip view contents 23 feb 2022 07 44 179 4m hustler may 1978 pdf 23 feb 2022 03 13

hustler magazine wikipedia - Apr 15 2023

198 rows hustler is a monthly adult targeted magazine published by larry flynt publications lfp in the united states introduced in 1974 it was a step forward from the hustler

[hustler july 1974 202202 directory listing archive org](#) - Jul 06 2022

hustler magazine inc et al v falwell certiorari to the united states court of appeals for the fourth circuit no 86 1278 argued december 2 1987

hustler magazine hi res stock photography and images alamy - Aug 07 2022

apr 21 2023 hustler usa february 2011 hustler usa may 2015 hustler usa may 2014 hustler uk issue 40 hustler uk issue 38
hustler uk issue 39 pdf magazine
hustler usa november 1977 hustler free download borrow - Oct 29 2021

piper laurie dead twin peaks the hustler actress was 91 - Feb 01 2022

oct 18 2023 30 september 2023 16 september 2023 9 september 2023 read issue 346121 october 2023 of new scientist
magazine for the best science news and analysis

recent issues of hustler zinio - Feb 13 2023

2001 2023 zinio llc all rights reserved privacy terms cookies

hustler librarything - Apr 03 2022

october 14 2023 1 17pm piper laurie jerod harris getty piper laurie the three time oscar nominated actress known for her
performances in the hustler and carrie and for her

issue 3461 magazine cover date 21 october 2023 new scientist - Nov 29 2021

editorial video 23 598 hustler photo stock photos high res pictures browse 23 598 hustler photo photos and images available
or start a new search to explore more photos and

hustlermagazine the digital hustler newsstand - Jul 18 2023

enjoy every hustler barely legal taboo pictorial interview story and more on any device buy and download any issue in digital
pdf to enjoy on your mobile tablet or desktop find

elles ont osé 100 femmes d exception à travers l histoire by - Feb 22 2022

web aug 25 2023 elles ont osé 100 femmes d exception à travers l histoire by nathalie kaufmann sur les podiums peu de
mannequins noirs mais plus d le gncide breton bzh reflexion charlotte et marine vont participer la saharienne costa rica le
centre sud la pninsule de osa et la les danseurs de la rgion brillent rvolution le reflet new tab

elles ont osé 100 femmes d exception à travers l histoire de - Jun 09 2023

web oct 27 2017 les 240 pages du magnifique ouvrage richement illustré elles ont osé aux éditions glénat nous font
parcourir l histoire et le monde à travers le combat de femmes contre toute forme de discrimination le récit de la vie de ces
femmes de caractère qui ont su prendre leur place dans la société est passionnant informations pratiques

elles ont osé 100 femmes d exception à travers l histoire - Oct 01 2022

web noté 5 retrouvez elles ont osé 100 femmes d exception à travers l histoire et des millions de livres en stock sur amazon fr
achetez neuf ou d occasion

elles ont osa c 100 femmes d exception a travers pdf - Jul 10 2023

web this online broadcast elles ont osa c 100 femmes d exception a travers can be one of the options to accompany you taking into consideration having other time it will not waste your time undertake me the e book will no question express you extra business to read just invest tiny period to retrieve this on line message elles ont osa c 100

[türkiye kadınların tek başına seyahat edebileceği ülkeler](#) - Apr 26 2022

web aug 22 2022 turizm yazarı fehmi köfteoğlu nun sportscover direct the travel corporation ttc tour brands ve solo female travel tarafından yapılan dört araştırmaya dayanarak yaptığı sıralamaya göre türkiye kadınların tek başına seyahat edebileceği ilk 20 ülke arasında yer almıyor

elles ont osé 100 femmes d exception à travers l histoire - Mar 06 2023

web 100 femmes d exception qui ont su s imposer et qui ont à jamais changé la face du monde lucy hominidée vieille de 3 2 millions d années est aussi appelée dinknesh ce qui en langue éthiopienne signifie tu es merveilleuse

[elles ont osé 100 femmes d exception à travers l histoire decitre](#) - Dec 03 2022

web nov 2 2017 4x sans frais 100 femmes d exception qui ont su s imposer et qui ont à jamais changé la face du monde lucy hominidée vieille de 3 2 millions d années est aussi appelée dinknesh ce qui en langue éthiopienne signifie tu es merveilleuse des femmes merveilleuses qui réussissent à s imposer ainsi

elles ont osé 100 femmes d exception à travers l histoire by - Jan 04 2023

web sep 5 2023 elles ont osé 100 femmes d exception à travers l histoire by nathalie kaufmann les danseurs de la rgion brillent rvolution le reflet collagen plex boutique advance formulas abolition de l esclavage wikipdia les origines historiques de la loi de 1905 larmee fr pro et ses femmes l arme a lui fera les charlotte et marine vont

elles ont osa c 100 femmes d exception a travers francois - Jul 30 2022

web as this elles ont osa c 100 femmes d exception a travers it ends going on living thing one of the favored books elles ont osa c 100 femmes d exception a travers collections that we have this is why you remain in the best website to see the unbelievable ebook to have gazette médicale de paris 1874

[elles ont osé 100 femmes d exception à travers l histoire by](#) - Nov 02 2022

web jun 15 2023 100 femmes d exception qui ont su s imposer et qui ont à jamais changé la face du monde lucy hominidée vieille de 3 2 millions d années est aussi appelée dinknesh ce qui en langue éthiopienne signifie tu es merveilleuse

elles ont osé 100 femmes d exception à travers l histoire by - Mar 26 2022

web sep 14 2023 elles ont osé 100 femmes d exception à travers l histoire by nathalie kaufmann des femmes et des projets l honneur petitbleu fr concours la cuillre d or gastronomie 100 fminin le triomphe des grandes patronnes du champagne cuisine sportives ces femmes d exception rosi media hors jeu le littr citation osa et

elles ont osé 100 femmes d exception à travers l histoire fnac - Aug 11 2023

web nov 2 2017 100 femmes d exception qui ont su s imposer et qui ont à jamais changé la face du monde lucy hominidée vieille de 3 2 millions d années est aussi appelée dinknesh ce qui en langue éthiopienne signifie tu es merveilleuse
elles on traduction en arabe exemples français reverso - May 28 2022

web traductions en contexte de elles on en français arabe avec reverso context nous savons qu avec elles on peut imprimer dans beaucoup de matériaux allant du plastique en passant par le chocolat jusqu au métal et même au béton

elles ont osa c 100 femmes d exception a travers pdf - May 08 2023

web it is your very own epoch to operate reviewing habit among guides you could enjoy now is elles ont osa c 100 femmes d exception a travers pdf below beauvoir in time meryl altman 2020 beauvoir in time situates simone de beauvoir s the second sex in the historical context of its writing

elles ont osé Éditions glénat - Sep 12 2023

web 100 femmes d exception qui ont su s imposer et qui ont à jamais changé la face du monde lucy hominidée vieille de 3 2 millions d années est aussi appelée dinknesh ce qui en langue éthiopienne signifie tu es merveilleuse

elles ont osé 100 femmes d exception à travers l histoire by - Feb 05 2023

web elles ont osé 100 femmes d exception à travers l histoire by nathalie kaufmann À l occasion des visites et conférences qu elle a anisées elle a pu échanger sur la condition des femmes dans le pays une irakienne

elles ont osé 100 femmes d exception à travers l histoire by - Jan 24 2022

web elles ont osé 100 femmes d exception à travers l histoire by nathalie kaufmann honduras alto a los feminicidios de l autre cot du charco elles ont conquis le monde les grandes aventurires 1850

elles ont osa c 100 femmes d exception a travers john gower - Jun 28 2022

web most less latency period to download any of our books when this one merely said the elles ont osa c 100 femmes d exception a travers is universally compatible as soon as any devices to read grand dictionnaire universel du xixe siècle pierre larousse 1883 food and agricultural development united states agency for international

elles ont osa c 100 femmes d exception a travers pierre - Apr 07 2023

web you could purchase guide elles ont osa c 100 femmes d exception a travers or acquire it as soon as feasible you could quickly download this elles ont osa c 100 femmes d exception a travers after getting deal so afterward you require the books swiftly you can straight get it its appropriately utterly simple and therefore fats isnt it

elles ont osa c 100 femmes d exception a travers john a - Aug 31 2022

web aug 17 2023 look guide elles ont osa c 100 femmes d exception a travers as you such as by searching the title publisher or authors of guide you truly want you can discover them rapidly in the house workplace or perhaps in your method can be all best place within net connections if you take aim to download and install the elles ont osa

[cardiovascular system anatomy and physiology nurseslabs](#) - Dec 08 2022

web sep 12 2023 physiology of the heart intrinsic conduction system of the heart the pathway of the conduction system cardiac cycle and heart sounds cardiac output physiology of circulation cardiovascular vital signs blood circulation through the heart capillary exchange of gases and nutrients age related physiological changes

[anatomy and physiology coloring workbook answers chapter 11](#) - Jan 09 2023

web anatomy and physiology coloring workbook answers review this post contains a free guide to getting access and using the anatomy and physiology coloring workbook answers chapter 11 the cardiovascular system chapter 12 the lymphatic system and body defenses anatomy and physiology

[anatomy and physiology coloring workbook chapter 11 the cardiovascular](#) - Apr 12 2023

web this problem has been solved problem 1mc51 chapter ch11 problem 1mc51 step by step solution step 1 of 4 the pericardium represents a double walled sac which comprises the heart as well as the roots of the great vessels chegg com homework help anatomy and physiology coloring workbook 12th edition chapter 11 solutions

anatomy and physiology coloring workbook answers chapter 11 - May 13 2023

web unformatted text preview ll levels of structural organization using the following choices identify the organ systems to which the following organs or functions belong a cardiovascular g nervous b digestive h reproductive c endocrine i respiratory d integumentary j skeletal e lymphatic immune k urinary f muscular 1

[pdf the cardiovascular system anatomy and physiology coloring](#) - Nov 07 2022

web anatomy coloring book stephanie mccann 2023 08 coloring the body and its systems is the most effective way to study the structure and functions of human anatomy with realistic drawings clear descriptions and must know terms kaplan s anatomy coloring book is the easiest way to learn human anatomy

anatomy physiology chapter 11 the cardiovascular system - Jul 15 2023

web internal system in the heart which carries electrical impulses to the sa node and av node the impulse will later carry to the bundle of his and the purkinje fibers anatomy and physiology coloring workbook ch 9 33 terms emmav17 anatomy and physiology chapter 11 blood 21 terms kristimathews chapter 12 the cardiovascular system

the cardiovascular system anatomy and physiology coloring workbook answers - Jul 03 2022

web online library the cardiovascular system anatomy and physiology coloring workbook answers measurement in the microcirculation the system and pulmonary arterial trees

anatomy and physiology coloring workbook chapter 11 the cardiovascular - Jan 29 2022

web anatomy and physiology coloring workbook chapter 11 the cardiovascular system answer key

918b8ab7d0d32e26ed00dafa933c7d91 this must be good bearing in mind knowing the anatomy and physiology coloring

workbook in this website this is one of the books that many people looking for

anatomy and physiology coloring workbook 12th edition quizlet - Aug 16 2023

web now with expert verified solutions from anatomy and physiology coloring workbook 12th edition you ll learn how to solve your toughest homework problems our resource for anatomy and physiology coloring workbook includes answers to chapter exercises as well as detailed information to walk you through the process step by step

anatomy physiology coloring workbook 9780321960771 quizlet - Sep 17 2023

web find step by step solutions and answers to anatomy physiology coloring workbook 9780321960771 as well as thousands of textbooks so you can move forward with confidence

anatomy and physiology coloring workbook pdf - Jun 02 2022

web simplify your study of anatomy physiology combining a wide range and variety of engaging coloring activities exercises and self assessments into an all in one study guide the anatomy and physiology coloring workbook helps you simplify your study of a p featuring contributions from new co author simone brito

chapter 11 the cardiovascular system coloring workbook answers - Sep 05 2022

web chapter 11 the cardiovascular system workbook answers web anatomy and physiology coloring workbook chapter 11 the cardiovascular system answer key amazon com gross anatomy of the heart cardiovascular system in

anatomy coloring book pages for cardiovascular system - May 01 2022

web study with quizlet and memorize flashcards containing terms like in terms of its tissue classification blood is classified as a tissue because it has living blood cells called suspended in a nonliving fluid matrix called the fibers of blood only become visible during if a blood sample is centrifuged the heavier blood cells become

cardiovascular system coloring workbook answers answers - Jun 14 2023

web the cardiovascular system coloring workbook answers 204 anatomy physiology coloring workbook 2 the heart is called a double pump because it serves two circulations trace the flow of blood through the pulmonary and systemic circulations by writing the missing terms in the answer blanks

anatomy physiology coloring brain answers pdf nervous system - Aug 04 2022

web anatomy physiology coloring brain answers free download as pdf file pdf text file txt or read online for free

cardiovascular coloring questions key 328 anatomy 8 - Oct 06 2022

web enlarged view of heart 31 jugular 11 f 01 fetal bladder 1 of gas n iliac 332 anatomy 8 physiology coloring workbook 4 a or anterior cerebral artery g or 5 e or ductus venosus 7 f or foramen ovale 6 d or ductus arteriosus they are collapsed the placenta makes 2 j or umbilical vein 25 1 c or circle of willis 5

anatomy and physiology coloring workbook chapter 11 the cardiovascular - Feb 27 2022

web worksheet answer key also ziemlich study guide for human anatomy and physiology answers image to suit your needs system chapter 12 brings oxy gen to the blood and removes carbon dioxide from it read online chapter 11 the cardiovascular system answer key heart chapter 11 the cardiovascular system worksheet answer key

anatomy and physiology coloring cardiovascular system answers - Mar 11 2023

web and physiology coloring cardiovascular system answers but end up in malicious downloads rather than reading a good book with a cup of coffee in the afternoon instead they are facing with some harmful bugs inside their laptop anatomy and physiology coloring cardiovascular system answers is available in our book collection an

the cardiovascular system pearson - Mar 31 2022

web what how why the cardiovascular system delivers oxygen and nutrients to the body tissues and carries away wastes such as carbon dioxide via blood the heart pumps blood throughout the body in blood vessels blood flow requires both the pumping action of the heart and changes in blood pressure

chapter 11 the cardiovascular system coloring workbook answers - Feb 10 2023

web nov 5 2022 4731149 anatomy physiology coloring workbook chapter 11 the cardiovascular system 1 8 downloaded from tools lalique com on by guest anatomy physiology coloring workbook chapter 11 the cardiovascular system when somebody should go to the book stores search instigation by shop shelf by shelf it is in point of