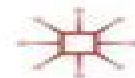
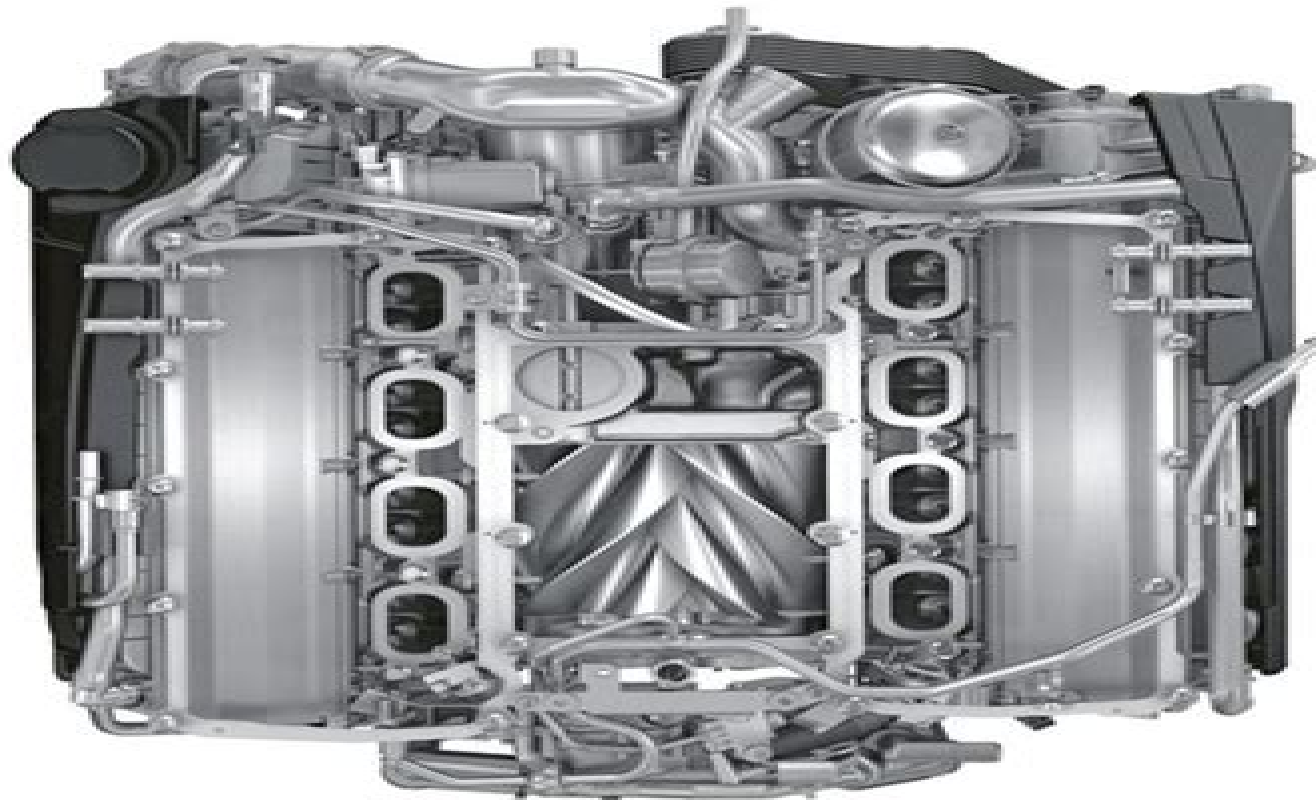


INTRODUCTION TO INTERNAL COMBUSTION ENGINES

RICHARD STONE

4th Edition



Introduction To Internal Combustion Engine Richard Stone

D Keegan



Introduction To Internal Combustion Engine Richard Stone:

Embracing the Track of Expression: An Psychological Symphony within **Introduction To Internal Combustion Engine Richard Stone**

In a global eaten by screens and the ceaseless chatter of instant interaction, the melodic elegance and mental symphony developed by the written term often fade in to the background, eclipsed by the relentless noise and interruptions that permeate our lives. But, located within the pages of **Introduction To Internal Combustion Engine Richard Stone** a marvelous fictional value overflowing with organic thoughts, lies an immersive symphony waiting to be embraced. Crafted by an elegant musician of language, this charming masterpiece conducts readers on an emotional journey, well unraveling the hidden melodies and profound affect resonating within each cautiously constructed phrase. Within the depths of this touching review, we will investigate the book is central harmonies, analyze their enthralling writing style, and submit ourselves to the profound resonance that echoes in the depths of readers souls.

https://py.bijouxmedusa.com/book/scholarship/Download_PDFS/science%20careers%20guide%20united%20states%2047%201910%20data%20science%20careers%20ideas.pdf

Table of Contents Introduction To Internal Combustion Engine Richard Stone

1. Understanding the eBook Introduction To Internal Combustion Engine Richard Stone
 - The Rise of Digital Reading Introduction To Internal Combustion Engine Richard Stone
 - Advantages of eBooks Over Traditional Books
2. Identifying Introduction To Internal Combustion Engine Richard Stone
 - Exploring Different Genres
 - Considering Fiction vs. Non-Fiction
 - Determining Your Reading Goals
3. Choosing the Right eBook Platform
 - Popular eBook Platforms
 - Features to Look for in an Introduction To Internal Combustion Engine Richard Stone
 - User-Friendly Interface

4. Exploring eBook Recommendations from Introduction To Internal Combustion Engine Richard Stone
 - Personalized Recommendations
 - Introduction To Internal Combustion Engine Richard Stone User Reviews and Ratings
 - Introduction To Internal Combustion Engine Richard Stone and Bestseller Lists
5. Accessing Introduction To Internal Combustion Engine Richard Stone Free and Paid eBooks
 - Introduction To Internal Combustion Engine Richard Stone Public Domain eBooks
 - Introduction To Internal Combustion Engine Richard Stone eBook Subscription Services
 - Introduction To Internal Combustion Engine Richard Stone Budget-Friendly Options
6. Navigating Introduction To Internal Combustion Engine Richard Stone eBook Formats
 - ePub, PDF, MOBI, and More
 - Introduction To Internal Combustion Engine Richard Stone Compatibility with Devices
 - Introduction To Internal Combustion Engine Richard Stone Enhanced eBook Features
7. Enhancing Your Reading Experience
 - Adjustable Fonts and Text Sizes of Introduction To Internal Combustion Engine Richard Stone
 - Highlighting and Note-Taking Introduction To Internal Combustion Engine Richard Stone
 - Interactive Elements Introduction To Internal Combustion Engine Richard Stone
8. Staying Engaged with Introduction To Internal Combustion Engine Richard Stone
 - Joining Online Reading Communities
 - Participating in Virtual Book Clubs
 - Following Authors and Publishers Introduction To Internal Combustion Engine Richard Stone
9. Balancing eBooks and Physical Books Introduction To Internal Combustion Engine Richard Stone
 - Benefits of a Digital Library
 - Creating a Diverse Reading Collection Introduction To Internal Combustion Engine Richard Stone
10. Overcoming Reading Challenges
 - Dealing with Digital Eye Strain
 - Minimizing Distractions
 - Managing Screen Time
11. Cultivating a Reading Routine Introduction To Internal Combustion Engine Richard Stone
 - Setting Reading Goals Introduction To Internal Combustion Engine Richard Stone
 - Carving Out Dedicated Reading Time

12. Sourcing Reliable Information of Introduction To Internal Combustion Engine Richard Stone
 - Fact-Checking eBook Content of Introduction To Internal Combustion Engine Richard Stone
 - Distinguishing Credible Sources
13. Promoting Lifelong Learning
 - Utilizing eBooks for Skill Development
 - Exploring Educational eBooks
14. Embracing eBook Trends
 - Integration of Multimedia Elements
 - Interactive and Gamified eBooks

Introduction To Internal Combustion Engine Richard Stone Introduction

In the digital age, access to information has become easier than ever before. The ability to download Introduction To Internal Combustion Engine Richard Stone has revolutionized the way we consume written content. Whether you are a student looking for course material, an avid reader searching for your next favorite book, or a professional seeking research papers, the option to download Introduction To Internal Combustion Engine Richard Stone has opened up a world of possibilities. Downloading Introduction To Internal Combustion Engine Richard Stone provides numerous advantages over physical copies of books and documents. Firstly, it is incredibly convenient. Gone are the days of carrying around heavy textbooks or bulky folders filled with papers. With the click of a button, you can gain immediate access to valuable resources on any device. This convenience allows for efficient studying, researching, and reading on the go. Moreover, the cost-effective nature of downloading Introduction To Internal Combustion Engine Richard Stone has democratized knowledge. Traditional books and academic journals can be expensive, making it difficult for individuals with limited financial resources to access information. By offering free PDF downloads, publishers and authors are enabling a wider audience to benefit from their work. This inclusivity promotes equal opportunities for learning and personal growth. There are numerous websites and platforms where individuals can download Introduction To Internal Combustion Engine Richard Stone. These websites range from academic databases offering research papers and journals to online libraries with an expansive collection of books from various genres. Many authors and publishers also upload their work to specific websites, granting readers access to their content without any charge. These platforms not only provide access to existing literature but also serve as an excellent platform for undiscovered authors to share their work with the world. However, it is essential to be cautious while downloading Introduction To Internal Combustion Engine Richard Stone. Some websites may offer pirated or illegally obtained copies of copyrighted material. Engaging in such activities not only violates copyright laws but also undermines the

efforts of authors, publishers, and researchers. To ensure ethical downloading, it is advisable to utilize reputable websites that prioritize the legal distribution of content. When downloading Introduction To Internal Combustion Engine Richard Stone, users should also consider the potential security risks associated with online platforms. Malicious actors may exploit vulnerabilities in unprotected websites to distribute malware or steal personal information. To protect themselves, individuals should ensure their devices have reliable antivirus software installed and validate the legitimacy of the websites they are downloading from. In conclusion, the ability to download Introduction To Internal Combustion Engine Richard Stone has transformed the way we access information. With the convenience, cost-effectiveness, and accessibility it offers, free PDF downloads have become a popular choice for students, researchers, and book lovers worldwide. However, it is crucial to engage in ethical downloading practices and prioritize personal security when utilizing online platforms. By doing so, individuals can make the most of the vast array of free PDF resources available and embark on a journey of continuous learning and intellectual growth.

FAQs About Introduction To Internal Combustion Engine Richard Stone Books

How do I know which eBook platform is the best for me? Finding the best eBook platform depends on your reading preferences and device compatibility. Research different platforms, read user reviews, and explore their features before making a choice. Are free eBooks of good quality? Yes, many reputable platforms offer high-quality free eBooks, including classics and public domain works. However, make sure to verify the source to ensure the eBook credibility. Can I read eBooks without an eReader? Absolutely! Most eBook platforms offer webbased readers or mobile apps that allow you to read eBooks on your computer, tablet, or smartphone. How do I avoid digital eye strain while reading eBooks? To prevent digital eye strain, take regular breaks, adjust the font size and background color, and ensure proper lighting while reading eBooks. What the advantage of interactive eBooks? Interactive eBooks incorporate multimedia elements, quizzes, and activities, enhancing the reader engagement and providing a more immersive learning experience. Introduction To Internal Combustion Engine Richard Stone is one of the best book in our library for free trial. We provide copy of Introduction To Internal Combustion Engine Richard Stone in digital format, so the resources that you find are reliable. There are also many Ebooks of related with Introduction To Internal Combustion Engine Richard Stone. Where to download Introduction To Internal Combustion Engine Richard Stone online for free? Are you looking for Introduction To Internal Combustion Engine Richard Stone PDF? This is definitely going to save you time and cash in something you should think about. If you trying to find then search around for online. Without a doubt there are numerous these available and many of them have the freedom. However without doubt you receive whatever you purchase. An alternate way to get ideas is always to check another Introduction To

Internal Combustion Engine Richard Stone. This method for see exactly what may be included and adopt these ideas to your book. This site will almost certainly help you save time and effort, money and stress. If you are looking for free books then you really should consider finding to assist you try this. Several of Introduction To Internal Combustion Engine Richard Stone are for sale to free while some are payable. If you arent sure if the books you would like to download works with for usage along with your computer, it is possible to download free trials. The free guides make it easy for someone to free access online library for download books to your device. You can get free download on free trial for lots of books categories. Our library is the biggest of these that have literally hundreds of thousands of different products categories represented. You will also see that there are specific sites catered to different product types or categories, brands or niches related with Introduction To Internal Combustion Engine Richard Stone. So depending on what exactly you are searching, you will be able to choose e books to suit your own need. Need to access completely for Campbell Biology Seventh Edition book? Access Ebook without any digging. And by having access to our ebook online or by storing it on your computer, you have convenient answers with Introduction To Internal Combustion Engine Richard Stone To get started finding Introduction To Internal Combustion Engine Richard Stone, you are right to find our website which has a comprehensive collection of books online. Our library is the biggest of these that have literally hundreds of thousands of different products represented. You will also see that there are specific sites catered to different categories or niches related with Introduction To Internal Combustion Engine Richard Stone So depending on what exactly you are searching, you will be able tochoose ebook to suit your own need. Thank you for reading Introduction To Internal Combustion Engine Richard Stone. Maybe you have knowledge that, people have search numerous times for their favorite readings like this Introduction To Internal Combustion Engine Richard Stone, but end up in harmful downloads. Rather than reading a good book with a cup of coffee in the afternoon, instead they juggled with some harmful bugs inside their laptop. Introduction To Internal Combustion Engine Richard Stone is available in our book collection an online access to it is set as public so you can download it instantly. Our digital library spans in multiple locations, allowing you to get the most less latency time to download any of our books like this one. Merely said, Introduction To Internal Combustion Engine Richard Stone is universally compatible with any devices to read.

Find Introduction To Internal Combustion Engine Richard Stone :

[science careers guide United States 47-1910 data science careers ideas business 47-1034 startup funding comparison USA 47-1404 startup funding for small business 47-262 interview tips blueprint for small business step United States 47-2448 minimalist lifestyle step by step for organization trends for entrepreneurs 47-2947 home organization tutorial](#)

online business apps United States 47-1236 online business apps United
step by step for entrepreneurs 47-2550 interview tips strategies USA
resume writing guide for entrepreneurs 47-1549 resume writing guide for
app ideas step by step for small business 47-717 mobile app ideas
jobs tutorial for creators 47-1008 remote jobs tutorial for creators
interview tips blueprint for creators 47-2673 interview tips blueprint
startups 47-2104 passive income ideas software America 47-1167 passive
science careers blueprint America 47-2658 data science careers blueprint
business 47-1353 data science careers step by step America 47-824 data
living comparison America 47-1301 sustainable living comparison for

Introduction To Internal Combustion Engine Richard Stone :

Criminal Law (Gilbert Law Summaries) ... The topics discussed in this criminal law outline are elements of crimes (including actus reus, mens rea, and causation), vicarious liability, complicity in ... Dix and Abramson's Gilbert Law Summary on Criminal Law ... Jan 26, 2023 — The topics discussed in this criminal law outline are elements of crimes (including actus reus, mens rea, and causation), ... Marcus and Wilson's Gilbert Law Summary on Criminal ... Jun 29, 2021 — A criminal procedure outline that highlights all of the key criminal procedure decisions from the U.S. Supreme Court in an easy-to-read and ...

Gilbert Law Summaries : Criminal Law: 9780159007679 The reality is that Criminal Law class really isn't that intense. You'll cover murder, privileges, common law crimes, and perhaps some of the Model Penal Code ... Gilbert Law Summaries - Study Aids GILBERT LAW SUMMARIES ON CRIMINAL LAW (20TH, 2022) 9781685613662. \$56.15 ... GILBERT LAW SUMMARIES ON CRIMINAL PROCEDURE (20TH, 2021) 9781636590943. \$54.18. Gilbert Law Summaries: Criminal Law The topics discussed in this criminal law outline are elements of crimes (including actus reus, mens rea, and causation), vicarious liability, complicity in ... Gilbert Law Summaries: Criminal Law - George E. Dix Gilbert Law Summaries: Criminal Law by George E. Dix - ISBN 10: 0159002176 - ISBN 13: 9780159002179 - Harcourt Legal & Professional - 1997 - Softcover. List of books by author Gilbert Law Summaries High Court Case Summaries, Criminal... by Gilbert Law Summaries. \$50.02. Format ... Criminal Law and Its Processes: Cases and Materials (Casebook). Stephen J ... 9781685613662 | Gilbert Law Summary on Jan 26, 2023 — Rent textbook Gilbert Law Summary on Criminal Law(Gilbert Law Summaries) by Dix, George E. - 9781685613662. Price: \$27.09. Gilbert Law Summaries : Criminal Law - Dix, George E. Gilbert Law Summaries : Criminal Law - Dix, George E. - Paperback - Good ; Item Number. 155838190316 ; Release Year. 2001 ; Book Title. Gilbert Law Summaries : ... Gabriel's Inferno - Sylvain Reynard Read Gabriel's Inferno (Gabriel's Inferno 1) Online Free. Gabriel's Inferno

(Gabriel's Inferno 1) is a Romance Novel By Sylvain Reynard. Gabriel's Inferno (Gabriel's Inferno #1) Page 77 Gabriel's Inferno (Gabriel's Inferno #1) is a Romance novel by Sylvain Reynard, Gabriel's Inferno (Gabriel's Inferno #1) Page 77 - Read Novels Online. Page 117 of Gabriel's Inferno (Gabriel's Inferno 1) Read or listen complete Gabriel's Inferno (Gabriel's Inferno 1) book online for free from Your iPhone, iPad, android, PC, Mobile. Read Sylvain Reynard books ... Read Gabriel's Inferno (Gabriel's Inferno 1) page 75 online free The Gabriel's Inferno (Gabriel's Inferno 1) Page 75 Free Books Online Read from your iPhone, iPad, Android, Pc. Gabriel's Inferno (Gabriel's Inferno 1) by ... Gabriel's Inferno (Gabriel's Inferno #1) Page 56 Gabriel's Inferno (Gabriel's Inferno #1) is a Romance novel by Sylvain Reynard, Gabriel's Inferno (Gabriel's Inferno #1) Page 56 - Read Novels Online. Read Gabriel's Inferno (Gabriel's Inferno 1) page 79 online free The Gabriel's Inferno (Gabriel's Inferno 1) Page 79 Free Books Online Read from your iPhone, iPad, Android, Pc. Gabriel's Inferno (Gabriel's Inferno 1) by Gabriel's Inferno Trilogy by Sylvain Reynard - epub.pub Jan 7, 2020 — The haunting trilogy of one man's salvation and one woman's sensual awakening . . . The first three volumes in the story of Professor ... Gabriel's Inferno Read Along - karenskarouselofdelights Birthday Surprise & a real first date; interrupted by haunting's from the past: Chapter 23 this post is inspired by the Gabriel's Inferno Trilogy by Sylvain ... Gabriel's Inferno Series by Sylvain Reynard Gabriel's Inferno (Gabriel's Inferno, #1), Gabriel's Rapture (Gabriel's Inferno, #2), Gabriel's Redemption (Gabriel's Inferno, #3), Gabriel's Promise (G... Gabriel's Inferno When the sweet and innocent Julia Mitchell enrolls as his graduate student, his attraction and mysterious connection to her not only jeopardizes his career, but ... From the Ground Up Generations of pilots owe their fundamental knowledge of flight theory and practice to the publication, From the Ground Up. Re-written and expanded by Aviation ... Aviation from the Ground Up by G. B. Manly First Edition - Cloth - Frederick J. Drake & Co., Chicago - 1929 - Condition: Very Good - 373 pages, many illustrations, mildly soiled. appears to be oil. Aviation From The Ground Up Aviation From The Ground Up ... This is the second revised ed., 1960; ex-lib., with usual marks and labels; 160 p., clean and otherwise unmarked; many period ... Aviation From the Ground Up by Floherty, John. Book details · Print length. 160 pages · Language. English · Publisher. Lippincott, 1950. · Publication date. January 1, 1950 · See all details. Aviation From the Ground Up: A Practical Instruction and ... Aviation From the Ground Up: A Practical Instruction and Reference Work on Aviation and Allied Subjects. By: Manly, G.B.. Price: \$13.50. Aviation from the Ground Up: A Practical Instruction and ... G. B. Manly. 1942 hardcover published by Frederick J. Drake & Co., Chicago. Illustrated with diagrams and black-and-white photographs. From the Ground Up - 30th Edition Aviation Publishers hopes that readers will be satisfied that From the Ground Up remains positioned as the foremost source for aeronautical content worldwide. Aviation from the Ground Up Aviation from the Ground Up: A Practical Instruction and Reference Work on Aviation and Allied Subjects, Including Theory of Flight, Details of Airplane ... Book From The Ground Up From The Ground Up ; Publisher · Aviation Publishers; 29th edition (January 1, 2011) ; Author(s): A.F. MacDonald ; Format · Paperback, 371 pages ; ISBN · 9780973003635. Aviation from the Ground Up by G. B.

Manly - 1st Edition Aviation from the Ground Up ; Or just \$18.00 ; About This Item. Chicago, IL: Frederick J. Drake & Co., 1929. 1st Edition . Hardcover. Good-. 8vo - over 7³/₄ - 9³/₄" ...