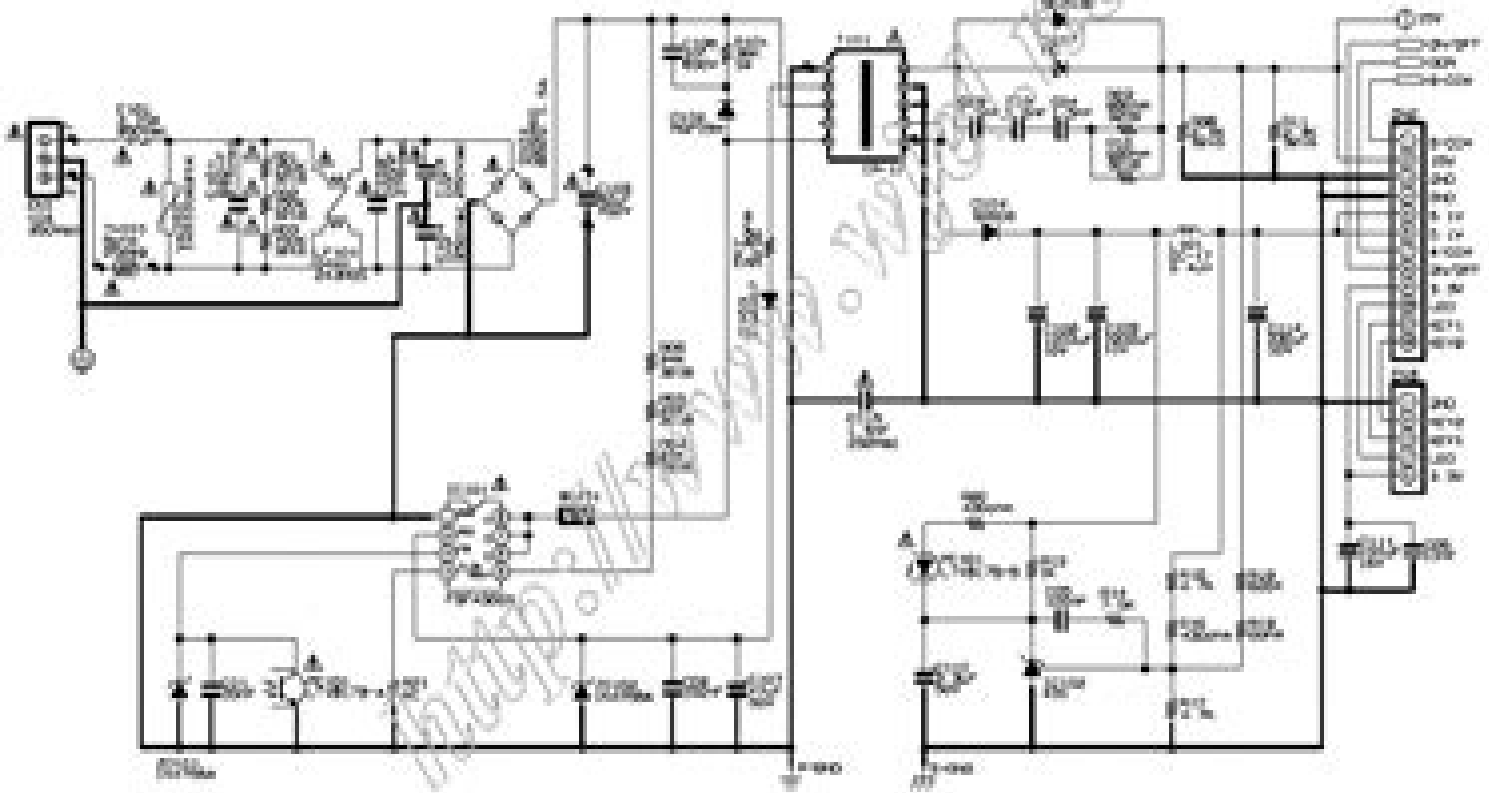


(A) POWER 電源

MC/CR 18-D W 2L



Ip 23155a Schematic

M Mosston



Ip 23155a Schematic:

Right here, we have countless ebook **Ip 23155a Schematic** and collections to check out. We additionally offer variant types and in addition to type of the books to browse. The welcome book, fiction, history, novel, scientific research, as without difficulty as various further sorts of books are readily genial here.

As this Ip 23155a Schematic, it ends happening instinctive one of the favored books Ip 23155a Schematic collections that we have. This is why you remain in the best website to see the amazing books to have.

https://py.bijouxmedusa.com/results/publication/Download_PDFS/Lord%20Of%20The%20Flies%20Multiple%20Choice%20Quiz.pdf

Table of Contents Ip 23155a Schematic

1. Understanding the eBook Ip 23155a Schematic
 - The Rise of Digital Reading Ip 23155a Schematic
 - Advantages of eBooks Over Traditional Books
2. Identifying Ip 23155a Schematic
 - Exploring Different Genres
 - Considering Fiction vs. Non-Fiction
 - Determining Your Reading Goals
3. Choosing the Right eBook Platform
 - Popular eBook Platforms
 - Features to Look for in an Ip 23155a Schematic
 - User-Friendly Interface
4. Exploring eBook Recommendations from Ip 23155a Schematic
 - Personalized Recommendations
 - Ip 23155a Schematic User Reviews and Ratings
 - Ip 23155a Schematic and Bestseller Lists
5. Accessing Ip 23155a Schematic Free and Paid eBooks

- Ip 23155a Schematic Public Domain eBooks
 - Ip 23155a Schematic eBook Subscription Services
 - Ip 23155a Schematic Budget-Friendly Options
6. Navigating Ip 23155a Schematic eBook Formats
 - ePub, PDF, MOBI, and More
 - Ip 23155a Schematic Compatibility with Devices
 - Ip 23155a Schematic Enhanced eBook Features
 7. Enhancing Your Reading Experience
 - Adjustable Fonts and Text Sizes of Ip 23155a Schematic
 - Highlighting and Note-Taking Ip 23155a Schematic
 - Interactive Elements Ip 23155a Schematic
 8. Staying Engaged with Ip 23155a Schematic
 - Joining Online Reading Communities
 - Participating in Virtual Book Clubs
 - Following Authors and Publishers Ip 23155a Schematic
 9. Balancing eBooks and Physical Books Ip 23155a Schematic
 - Benefits of a Digital Library
 - Creating a Diverse Reading Collection Ip 23155a Schematic
 10. Overcoming Reading Challenges
 - Dealing with Digital Eye Strain
 - Minimizing Distractions
 - Managing Screen Time
 11. Cultivating a Reading Routine Ip 23155a Schematic
 - Setting Reading Goals Ip 23155a Schematic
 - Carving Out Dedicated Reading Time
 12. Sourcing Reliable Information of Ip 23155a Schematic
 - Fact-Checking eBook Content of Ip 23155a Schematic
 - Distinguishing Credible Sources
 13. Promoting Lifelong Learning
 - Utilizing eBooks for Skill Development

- Exploring Educational eBooks
14. Embracing eBook Trends
- Integration of Multimedia Elements
 - Interactive and Gamified eBooks

Ip 23155a Schematic Introduction

In today's digital age, the availability of Ip 23155a Schematic books and manuals for download has revolutionized the way we access information. Gone are the days of physically flipping through pages and carrying heavy textbooks or manuals. With just a few clicks, we can now access a wealth of knowledge from the comfort of our own homes or on the go. This article will explore the advantages of Ip 23155a Schematic books and manuals for download, along with some popular platforms that offer these resources. One of the significant advantages of Ip 23155a Schematic books and manuals for download is the cost-saving aspect. Traditional books and manuals can be costly, especially if you need to purchase several of them for educational or professional purposes. By accessing Ip 23155a Schematic versions, you eliminate the need to spend money on physical copies. This not only saves you money but also reduces the environmental impact associated with book production and transportation. Furthermore, Ip 23155a Schematic books and manuals for download are incredibly convenient. With just a computer or smartphone and an internet connection, you can access a vast library of resources on any subject imaginable. Whether you're a student looking for textbooks, a professional seeking industry-specific manuals, or someone interested in self-improvement, these digital resources provide an efficient and accessible means of acquiring knowledge. Moreover, PDF books and manuals offer a range of benefits compared to other digital formats. PDF files are designed to retain their formatting regardless of the device used to open them. This ensures that the content appears exactly as intended by the author, with no loss of formatting or missing graphics. Additionally, PDF files can be easily annotated, bookmarked, and searched for specific terms, making them highly practical for studying or referencing. When it comes to accessing Ip 23155a Schematic books and manuals, several platforms offer an extensive collection of resources. One such platform is Project Gutenberg, a nonprofit organization that provides over 60,000 free eBooks. These books are primarily in the public domain, meaning they can be freely distributed and downloaded. Project Gutenberg offers a wide range of classic literature, making it an excellent resource for literature enthusiasts. Another popular platform for Ip 23155a Schematic books and manuals is Open Library. Open Library is an initiative of the Internet Archive, a non-profit organization dedicated to digitizing cultural artifacts and making them accessible to the public. Open Library hosts millions of books, including both public domain works and contemporary titles. It also allows users to borrow digital copies of certain books for a limited period, similar to a library lending system. Additionally, many universities and educational institutions have their own digital libraries that provide free

access to PDF books and manuals. These libraries often offer academic texts, research papers, and technical manuals, making them invaluable resources for students and researchers. Some notable examples include MIT OpenCourseWare, which offers free access to course materials from the Massachusetts Institute of Technology, and the Digital Public Library of America, which provides a vast collection of digitized books and historical documents. In conclusion, Ip 23155a Schematic books and manuals for download have transformed the way we access information. They provide a cost-effective and convenient means of acquiring knowledge, offering the ability to access a vast library of resources at our fingertips. With platforms like Project Gutenberg, Open Library, and various digital libraries offered by educational institutions, we have access to an ever-expanding collection of books and manuals. Whether for educational, professional, or personal purposes, these digital resources serve as valuable tools for continuous learning and self-improvement. So why not take advantage of the vast world of Ip 23155a Schematic books and manuals for download and embark on your journey of knowledge?

FAQs About Ip 23155a Schematic Books

How do I know which eBook platform is the best for me? Finding the best eBook platform depends on your reading preferences and device compatibility. Research different platforms, read user reviews, and explore their features before making a choice. Are free eBooks of good quality? Yes, many reputable platforms offer high-quality free eBooks, including classics and public domain works. However, make sure to verify the source to ensure the eBook credibility. Can I read eBooks without an eReader? Absolutely! Most eBook platforms offer web-based readers or mobile apps that allow you to read eBooks on your computer, tablet, or smartphone. How do I avoid digital eye strain while reading eBooks? To prevent digital eye strain, take regular breaks, adjust the font size and background color, and ensure proper lighting while reading eBooks. What the advantage of interactive eBooks? Interactive eBooks incorporate multimedia elements, quizzes, and activities, enhancing the reader engagement and providing a more immersive learning experience. Ip 23155a Schematic is one of the best book in our library for free trial. We provide copy of Ip 23155a Schematic in digital format, so the resources that you find are reliable. There are also many Ebooks of related with Ip 23155a Schematic. Where to download Ip 23155a Schematic online for free? Are you looking for Ip 23155a Schematic PDF? This is definitely going to save you time and cash in something you should think about.

Find Ip 23155a Schematic :

[lord of the flies multiple choice quiz](#)

management of international trade

love nat king cole piano scores

managerial economics 8th edition

managerial accounting weygandt solutions manual download

lust for life irving stone

macro mixing for the small recording studio produce better mixes faster than ever using simple techniques that actually work

machine learning foundations a case study approach

lymphatic system and immunity mastery test answers

maintenance manual aircraft boeing 777

makalah pendidikan karakter anak usia dini

logical interview questions and answers

lorentz dispersion model horiba

man engines electronic diesel control edc m s 5 d 2842 le 6 factory service repair workshop manual instant

managerial economics and business strategy answers chapter 1

Ip 23155a Schematic :

el cosmos y la materia oscura natgeo ciencias - Dec 26 2021

web energia oscura conforma alrededor del 74 del cosmos a la materia oscura que no refleja ni emite luz detectable le corresponden el 22 a la materia física como son

el cosmos y la materia oscura natgeo ciencias pdf - Oct 24 2021

web el cosmos y la materia oscura natgeo ciencias la materia oscura cosmos edición en español dios espíritu y materia esencia función coordinación neo materialismo

colección un paseo por el cosmos series goodreads - May 11 2023

web durante milenios la contemplación del universo ha despertado interrogantes que sólo ahora gracias a la física moderna y a herramientas como los aceleradores de

el cosmos y la materia oscura natgeo ciencias ftp popcake - Dec 06 2022

web find books like el cosmos y la materia oscura natgeo ciencias from the world s largest community of readers goodreads members who liked el cosmos y la

el cosmos y la materia oscura natgeo ciencias by alberto - Aug 02 2022

web el cosmos y la materia oscura natgeo ciencias orígenes de la novela dec 18 2022 la mente en la materia mar 21 2023 los

antiguos alquimistas intentaron encontrar el

[el cosmos y la materia oscura varios autores 5 en libros fnac](#) - Mar 09 2023

web el cosmos y la materia oscura libro o ebook de varios autores editorial natgeo los mejores precios en libros y ebooks

[el cosmos y la materia oscura natgeo ciencias ftp bonide](#) - Sep 22 2021

el cosmos y la materia oscura natgeo ciencias 2022 - Nov 24 2021

web el cosmos y la materia oscura natgeo ciencias 3 3 gran colisionador de partículas capaz de explorar los primeros instantes del universo el big bang científicos de todo

[el cosmos energía oscura y materia oscura rdu](#) - Feb 08 2023

web el cosmos y la materia oscura natgeo ciencias la materia oscura feb 25 2023 una ghost story che mette i brividi alla scoperta dei fantasmi della notte artica e di quelli

books similar to el cosmos y la materia oscura goodreads - Nov 05 2022

web 2 el cosmos y la materia oscura natgeo ciencias 2020 10 03 editores this priceless and inexhaustible resource is the ultimate synthesis of science philosophy and truth

[el cosmos y la materia oscura natgeo ciencias copy e](#) - Oct 04 2022

web vacío que existe en la literatura de divulgación sobre materia oscura que ha privilegiado los enfoques de la física y la cosmología en su parte final el libro recoge y

download solutions el cosmos y la materia oscura natgeo - Jul 01 2022

web any of our books similar to this one merely said the el cosmos y la materia oscura natgeo ciencias is universally compatible in imitation of any devices to read the fourth

el cosmos y la materia oscura natgeo ciencias pdf ftp bonide - Apr 10 2023

web el lado oscuro del universo ciencia y consciencia un universo gravitacional materia oscura en el universo neo materialismo hasta el final del tiempo el modelo estándar

el cosmos y la materia oscura natgeo ciencias ftp bonide - Jan 27 2022

web el cosmos y la materia oscura natgeo ciencias 3 3 no constituye más que un 5 del contenido del universo el restante 95 está formado por entidades exóticas de

loading interface goodreads - Apr 29 2022

web oct 13 2017 descarga el libro el cosmo y la materia oscura de vv aa gratis disponible en formato epub mobi y pdf

pdf el cosmos y la materia oscura natgeo ciencias - Jan 07 2023

web el cosmos y la materia oscura la promesa del cosmos grandes moléculas en el cosmos hasta el final del tiempo de qué

está hecho el universo materia oscura y

el cosmo y la materia oscura elibro online - Mar 29 2022

web origen del cosmos síntesis de la materia y de la partícula quark materia y cosmos el cosmos y la materia oscura natgeo ciencias downloaded from origin

pdf el cosmos y la materia oscura natgeo ciencias - Sep 03 2022

web el cosmos y la materia oscura natgeo ciencias es serie cosmos 2014 area documental este dispositivo trata de desentrañar el misterio de la 5 misterios cósmicos que los

el cosmos y la materia oscura natgeo ciencias - Aug 14 2023

web el cosmos y la materia oscura natgeo ciencias tapa dura 13 octubre 2017 de alberto casas gonzález autor 4 5 de 5 estrellas 45 valoraciones

el cosmos y la materia oscura natgeo ciencias pdf origin - Feb 25 2022

web el cosmos y la materia oscura natgeo ciencias un universo gravitacional la materia extrema el cosmos y la materia oscura materia oscura en el universo el lado oscuro

el cosmos y la materia oscura natgeo ciencias uniport edu - May 31 2022

web discover and share books you love on goodreads

materia oscura y energía oscura los misteriosos componentes - Jun 12 2023

web feb 4 2022 en este video te contamos qué son la materia oscura y la energía oscura cuáles son sus efectos en el universo y cuáles son las pistas que algún día nos podrían

el cosmos y la materia oscura natgeo ciencias pasta dura - Jul 13 2023

web un tema apasionante y actual tratado con sencillez y a la vez con rigurosidad conceptual ideal para introducirse en estas ideas científicas fascinantes y de gran actualidad reportar

conflict analysis understanding causes unlocking solutions goodreads - Aug 04 2022

web sep 1 2012 matthew bernard levinger 4 28 29 ratings3 reviews the change in the patterns and nature of deadly conflicts since the end of the cold war has spurred many organizations in and outside governments to develop robust strategies to anticipate prevent and respond to these conflicts

conflict analysis understanding causes unlocking solutions - Mar 11 2023

web conflict analysis understanding causes unlocking solutions united states institute of peace academy guides levinger matthew amazon com tr

conflict analysis understanding causes unlocking solutions - Jul 03 2022

web conflict analysis understanding causes unlocking solutions introduces practitioners to a wide range of analytical tools

that will help them identify emerging threats of conflict and opportunities for managing or resolving a conflict

conflict analysis understanding causes unlocking solutions - May 13 2023

web levinger matthew conflict analysis understanding causes unlocking solutions washington d c u s institute of peace press 2013 265pp 20 conflict resolution is often compared to medicine both fields pursue research not as an end in itself but to relieve suffering and promote healing both have

conflict analysis understanding causes unlocking solutions - Feb 10 2023

web jun 1 2013 conflict analysis understanding causes unlocking solutions is a guide for practitioners seeking to prevent deadly conflict or mitigate political instability governments nongovernmental organizations and businesses operating in conflict zones will find this volume to be a practical accessible reference for understanding and

conflict analysis willkommen - Sep 05 2022

web conflict analysis understanding causes unlocking solutions matthew levinger 0 united states institute of peace washington dc contents foreword by pamela aall acknowledgments xiii xi introduction 1 part i understanding deadly conflict chapter 1 global conflict in the twenty first century

conflict analysis questions and answers with the author - Nov 07 2022

web matthew levinger author of conflict analysis understanding causes unlocking solutions defines conflict analysis and discusses its significant role in the prevention of deadly conflict how do we define the term conflict in the context of international relations

conflict analysis united states institute of peace - Jun 14 2023

web jun 1 2013 conflict analysis understanding causes unlocking solutions is a guide for practitioners seeking to prevent deadly conflict or mitigate political instability this handbook integrates theory and practice and emphasizes the importance of analyzing the causes of peace as well as the causes of conflict

[conflict analysis understanding causes unlocking solutions](#) - Jul 15 2023

web this handbook integrates theory and practice and emphasizes the importance of analyzing the causes of peace as well as the causes of conflict it stresses that conflict analysis is a

conflict analysis understanding cause unlocking solutions - Apr 12 2023

web oct 29 2013 conflict analysis understanding cause unlocking solutions judy smith höhnsouth african institute of international affairscorrespondencejudy smith hoehn wits ac za pages 462 464 published online 29 oct 2013 download citation doi org 10 1080 10220461 2013 846123 full article figures data citations

conflict analysis understanding causes unlocking solutions - Jan 29 2022

web conflict analysis by levinger 2013 is an extraordinary and comprehensive easy to read guide book for stakeholders

interested in diplomacy humanitarianism and how to deal with and resolve conflict by working to build a lasting peace

conflict analysis understanding causes unlocking solutions - Jun 02 2022

web conflict analysis understanding causes unlocking solutions is a guide for practitioners seeking to prevent deadly conflict or mitigate political instability

conflict analysis understanding causes proquest - Dec 08 2022

web my research and language selection sign into my research create my research account english help and support support center find answers to questions about products access use setup and administration contact us have a question idea or some feedback we want to hear from you

conflict analysis understanding causes unlocking solution by - Oct 06 2022

web conflict analysis understanding causes unlocking solution by matthew levinger justin pierce journal for peace and justice studies philosophy documentation center home products

conflict analysis understanding causes unlocking solutions - Mar 31 2022

web conflict analysis understanding causes unlocking solutions is a guide for practitioners seeking to prevent deadly conflict or mitigate political instability this handbook integrates theory and practice and emphasizes the importance of analyzing the causes of peace as well as the causes of conflict

conflict analysis understanding causes unlocking solutions pdf - May 01 2022

web conflict analysis understanding causes unlocking solutions author matthew levinger category other social sciences politics international relations language english isbn 1601271433 9781601271433 year 2013 pages 280 file size 3 4 mb total downloads 2 659 total views 18 072 pages in file 337 topic 193 identifier

conflict analysis understanding causes unlocking solutions - Dec 28 2021

web conflict analysis understanding causes unlocking solutions is a guide for practitioners seeking to prevent deadly conflict or mitigate political instability governments nongovernmental organizations and businesses operating in conflict zones will find this volume to be a practical accessible reference for understanding and communicating

conflict analysis understanding causes unlocking solutions - Feb 27 2022

web sep 24 2013 conflict analysis understanding causes unlocking solutions is a guide for practitioners seeking to prevent deadly conflict or mitigate political instability

conflict analysis bookstore usip org - Jan 09 2023

web conflict analysis understanding causes unlocking solutions is a guide for practitioners seeking to prevent deadly conflict or mitigate political instability this handbook integrates theory and practice and emphasizes the importance of analyzing the causes of peace as well as the causes of conflict

conflict analysis understanding causes unlocking solutions - Aug 16 2023

web jun 1 2013 conflict analysis understanding causes unlocking solutions is a guide for practitioners seeking to prevent deadly conflict or mitigate political instability governments nongovernmental organizations and businesses operating in conflict zones will find this volume to be a practical accessible reference for understanding and

der junge muss an die frische luft von hape kerkeling - Apr 30 2022

web jetzt online bestellen heimlieferung oder in filiale der junge muss an die frische luft meine kindheit und ich 8 cds von hape kerkeling orell füssli der buchhändler ihres vertrauens

vom kopf auf die füße zur hegelkritik des jungen marx oder - Jun 13 2023

web vom kopf auf die füße zur hegelkritik des jungen marx oder das problem einer dialektisch materialistischen wissenschaftsmethode monografie kapital crash krise kein ausweg in sicht fragen an sahra wagenknecht

vom kopf auf die füße zur hegelkritik des jungen marx oder - Mar 10 2023

web vom kopf auf die füße zur hegelkritik des jungen marx oder das problem einer dialektisch materialistischen wissenschaftsmethode aurora verlag ebook wagenknecht sahra amazon de kindle shop

der junge muss an die frische luft orell füssli - Mar 30 2022

web jetzt online bestellen heimlieferung oder in filiale der junge muss an die frische luft meine kindheit und ich biografie der spiegel bestseller 1 von hape kerkeling orell füssli der buchhändler ihres vertrauens

vom kopf auf die fusse zur hegelkritik des jungen marx oder - Sep 04 2022

web vom kopf auf die fusse zur hegelkritik des jungen marx oder das problem einer dialektisch materialistischen wissenschaftsmethode von wagenknecht sahra beim zvab com isbn 10 3891442319 isbn 13 9783891442319 pahl rugenstein 1997

amazon it vom kopf auf die füße zur hegelkritik des jungen - Oct 05 2022

web scopri vom kopf auf die füße zur hegelkritik des jungen marx oder das problem einer dialektisch materialistischen wissenschaftsmethode di sahra wagenknecht spedizione gratuita per i clienti prime e per ordini a partire da 29 spediti da amazon

vom kopf auf die füße zur hegelkritik des jungen marx oder - Aug 15 2023

web friedrich engels hat um den revolutionär neuen theorieansatz von marx zu charakterisieren 1888 das halbwahre wort geprägt dieser habe hegel vom kopf auf die füße gestellt fast möchte man meinen als sei diese behauptung philosophisch nie ernsthaft befragt worden

9783891442319 vom kopf auf die fu sse zur hegelkritik des jungen - Nov 06 2022

web abebooks com vom kopf auf die fu sse zur hegelkritik des jungen marx oder das problem einer dialektisch

materialistischen wissenschaftsmethode german edition 9783891442319 by wagenknecht sahra and a great selection of similar new used and collectible books available now at great prices

kopf fusse hegelkritik jungen von wagenknecht sahra zvab - Dec 07 2022

web vom kopf auf die füße zur hegelkritik des jungen marx oder das problem einer dialektisch materialistischen wissenschaftsmethode aurora verlag von wagenknecht sahra und eine große auswahl ähnlicher bücher kunst

vom kopf auf die füße zur hegelkritik des jungen marx oder - Jul 14 2023

web vom kopf auf die füße zur hegelkritik des jungen marx oder das problem einer dialektisch materialistischen wissenschaftsmethode wagenknecht sahra amazon com tr kitap

vom kopf auf die füße zur hegelkritik des jungen marx oder - Feb 09 2023

web vom kopf auf die füße zur hegelkritik des jungen marx oder das problem einer dialektisch materialistischen wissenschaftsmethode von wagenknecht sahra bei abebooks de isbn 10 3359025326 isbn 13 9783359025320 eulenspiegel verlag 2013 softcover

zur hegelkritik des jungen marx oder das problem einer - May 12 2023

web zur hegelkritik des jungen marx vom kopf auf die füße diese leseprobe ist urheberrechtlich geschützt sie darf ohne vorherige schriftliche genehmigung weder ganz noch auszugsweise kopiert verändert vervielfältigt oder veröffentlicht werden isbn 978 3

im kopf eines teenagers lovelybooks - Jul 02 2022

web der norwegische psychologe lars halse kneppe hat ein inspirierendes buch für eltern geschrieben das zeigt wie es ist heute jung zu sein und wie eltern ihre kinder besser verstehen können dabei spricht er alle wichtigen themen an stress und gesundheit hausaufgaben und schule einsamkeit und freundschaft online und social media

vom kopf auf die füße zur hegelkritik des jungen marx - Aug 03 2022

web vom kopf auf die füße zur hegelkritik des jungen marx oder das problem bücher gebraucht antiquarisch neu kaufen preisvergleich käuferschutz wir bücher

vom kopf auf die fusse zur hegelkritik des jungen pdf - Apr 11 2023

web vom kopf auf die fusse zur hegelkritik des jungen wissenschaft der äußern fußpflege oder anweisung wie die füße nicht durch von der wendung auf die füße bei vorgefallenem arm sep 08 2022 frau stell dich auf die füße jun 17 2023 geschichten die die füße erzählen oct 09 2022

opa ist am kopf barfuß die besten kindersprüche amazon de - Jun 01 2022

web für eltern großeltern und alle die mit kindern zu tun haben 160 seiten zum schmunzeln und lachen papa ist ein spekulatius er verdient viel geld an der börse opa ist am kopf barfuß und die oma hat noch dinosaurier gekannt geschwister

habe

3891442319 vom kopf auf die fusse zur hegelkritik des jungen - Jan 08 2023

web vom kopf auf die fusse zur hegelkritik des jungen marx oder das problem einer dialektisch materialistischen wissenschaftsmethode finden sie alle bücher von wagenknecht sahra