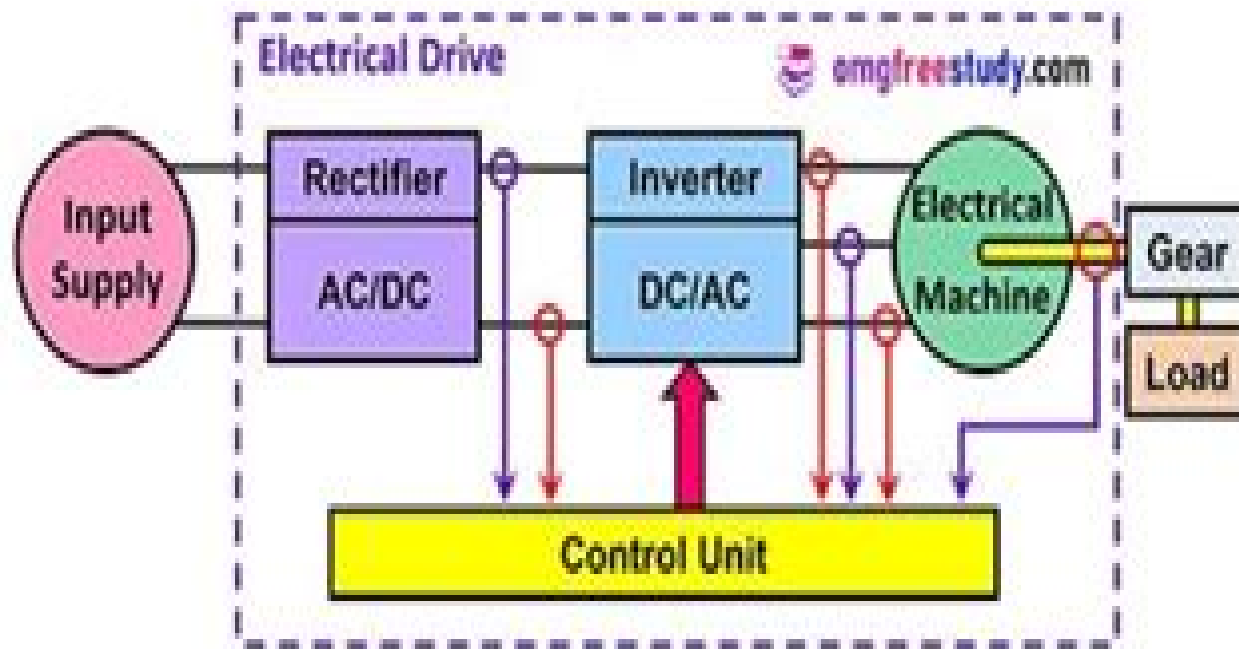


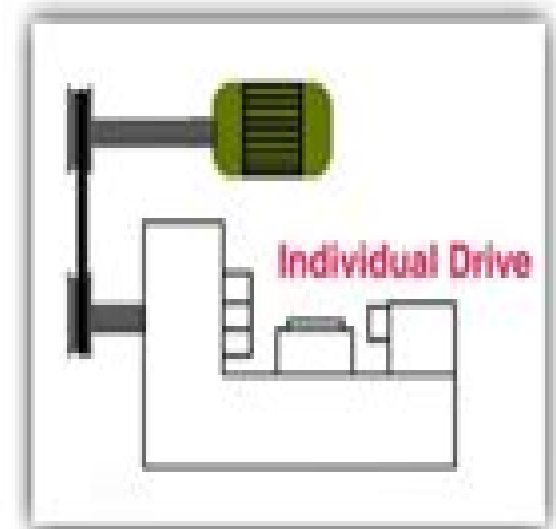
# Control Of Electric Drive Operation

Current limit control

Close loop torque control



Block diagram of Electrical Drives



electric drive

- Close loop torque control and Close loop speed control

# Control Of Electric Machine Drive Systems

**Muhammad H. Rashid**

A decorative graphic element consisting of a semi-circular shape with a red-to-white gradient, positioned to the right of the author's name.

## **Control Of Electric Machine Drive Systems:**

Delve into the emotional tapestry woven by Emotional Journey with in Experience **Control Of Electric Machine Drive Systems** . This ebook, available for download in a PDF format ( \*), is more than just words on a page; itis a journey of connection and profound emotion. Immerse yourself in narratives that tug at your heartstrings. Download now to experience the pulse of each page and let your emotions run wild.

[https://py.bijouxmedusa.com/data/scholarship/Documents/america\\_73\\_2599\\_machine\\_learning\\_basics\\_tutorial\\_for\\_creators\\_73\\_1039.pdf](https://py.bijouxmedusa.com/data/scholarship/Documents/america_73_2599_machine_learning_basics_tutorial_for_creators_73_1039.pdf)

## **Table of Contents Control Of Electric Machine Drive Systems**

1. Understanding the eBook Control Of Electric Machine Drive Systems
  - The Rise of Digital Reading Control Of Electric Machine Drive Systems
  - Advantages of eBooks Over Traditional Books
2. Identifying Control Of Electric Machine Drive Systems
  - Exploring Different Genres
  - Considering Fiction vs. Non-Fiction
  - Determining Your Reading Goals
3. Choosing the Right eBook Platform
  - Popular eBook Platforms
  - Features to Look for in an Control Of Electric Machine Drive Systems
  - User-Friendly Interface
4. Exploring eBook Recommendations from Control Of Electric Machine Drive Systems
  - Personalized Recommendations
  - Control Of Electric Machine Drive Systems User Reviews and Ratings
  - Control Of Electric Machine Drive Systems and Bestseller Lists
5. Accessing Control Of Electric Machine Drive Systems Free and Paid eBooks
  - Control Of Electric Machine Drive Systems Public Domain eBooks
  - Control Of Electric Machine Drive Systems eBook Subscription Services

- Control Of Electric Machine Drive Systems Budget-Friendly Options
- 6. Navigating Control Of Electric Machine Drive Systems eBook Formats
  - ePub, PDF, MOBI, and More
  - Control Of Electric Machine Drive Systems Compatibility with Devices
  - Control Of Electric Machine Drive Systems Enhanced eBook Features
- 7. Enhancing Your Reading Experience
  - Adjustable Fonts and Text Sizes of Control Of Electric Machine Drive Systems
  - Highlighting and Note-Taking Control Of Electric Machine Drive Systems
  - Interactive Elements Control Of Electric Machine Drive Systems
- 8. Staying Engaged with Control Of Electric Machine Drive Systems
  - Joining Online Reading Communities
  - Participating in Virtual Book Clubs
  - Following Authors and Publishers Control Of Electric Machine Drive Systems
- 9. Balancing eBooks and Physical Books Control Of Electric Machine Drive Systems
  - Benefits of a Digital Library
  - Creating a Diverse Reading Collection Control Of Electric Machine Drive Systems
- 10. Overcoming Reading Challenges
  - Dealing with Digital Eye Strain
  - Minimizing Distractions
  - Managing Screen Time
- 11. Cultivating a Reading Routine Control Of Electric Machine Drive Systems
  - Setting Reading Goals Control Of Electric Machine Drive Systems
  - Carving Out Dedicated Reading Time
- 12. Sourcing Reliable Information of Control Of Electric Machine Drive Systems
  - Fact-Checking eBook Content of Control Of Electric Machine Drive Systems
  - Distinguishing Credible Sources
- 13. Promoting Lifelong Learning
  - Utilizing eBooks for Skill Development
  - Exploring Educational eBooks
- 14. Embracing eBook Trends

- Integration of Multimedia Elements
- Interactive and Gamified eBooks

### **Control Of Electric Machine Drive Systems Introduction**

In the digital age, access to information has become easier than ever before. The ability to download Control Of Electric Machine Drive Systems has revolutionized the way we consume written content. Whether you are a student looking for course material, an avid reader searching for your next favorite book, or a professional seeking research papers, the option to download Control Of Electric Machine Drive Systems has opened up a world of possibilities. Downloading Control Of Electric Machine Drive Systems provides numerous advantages over physical copies of books and documents. Firstly, it is incredibly convenient. Gone are the days of carrying around heavy textbooks or bulky folders filled with papers. With the click of a button, you can gain immediate access to valuable resources on any device. This convenience allows for efficient studying, researching, and reading on the go. Moreover, the cost-effective nature of downloading Control Of Electric Machine Drive Systems has democratized knowledge. Traditional books and academic journals can be expensive, making it difficult for individuals with limited financial resources to access information. By offering free PDF downloads, publishers and authors are enabling a wider audience to benefit from their work. This inclusivity promotes equal opportunities for learning and personal growth. There are numerous websites and platforms where individuals can download Control Of Electric Machine Drive Systems. These websites range from academic databases offering research papers and journals to online libraries with an expansive collection of books from various genres. Many authors and publishers also upload their work to specific websites, granting readers access to their content without any charge. These platforms not only provide access to existing literature but also serve as an excellent platform for undiscovered authors to share their work with the world. However, it is essential to be cautious while downloading Control Of Electric Machine Drive Systems. Some websites may offer pirated or illegally obtained copies of copyrighted material. Engaging in such activities not only violates copyright laws but also undermines the efforts of authors, publishers, and researchers. To ensure ethical downloading, it is advisable to utilize reputable websites that prioritize the legal distribution of content. When downloading Control Of Electric Machine Drive Systems, users should also consider the potential security risks associated with online platforms. Malicious actors may exploit vulnerabilities in unprotected websites to distribute malware or steal personal information. To protect themselves, individuals should ensure their devices have reliable antivirus software installed and validate the legitimacy of the websites they are downloading from. In conclusion, the ability to download Control Of Electric Machine Drive Systems has transformed the way we access information. With the convenience, cost-effectiveness, and accessibility it offers, free PDF downloads have become a popular choice for students, researchers, and book lovers worldwide. However, it is crucial to

engage in ethical downloading practices and prioritize personal security when utilizing online platforms. By doing so, individuals can make the most of the vast array of free PDF resources available and embark on a journey of continuous learning and intellectual growth.

### FAQs About Control Of Electric Machine Drive Systems Books

1. Where can I buy Control Of Electric Machine Drive Systems books? Bookstores: Physical bookstores like Barnes & Noble, Waterstones, and independent local stores. Online Retailers: Amazon, Book Depository, and various online bookstores offer a wide range of books in physical and digital formats.
2. What are the different book formats available? Hardcover: Sturdy and durable, usually more expensive. Paperback: Cheaper, lighter, and more portable than hardcovers. E-books: Digital books available for e-readers like Kindle or software like Apple Books, Kindle, and Google Play Books.
3. How do I choose a Control Of Electric Machine Drive Systems book to read? Genres: Consider the genre you enjoy (fiction, non-fiction, mystery, sci-fi, etc.). Recommendations: Ask friends, join book clubs, or explore online reviews and recommendations. Author: If you like a particular author, you might enjoy more of their work.
4. How do I take care of Control Of Electric Machine Drive Systems books? Storage: Keep them away from direct sunlight and in a dry environment. Handling: Avoid folding pages, use bookmarks, and handle them with clean hands. Cleaning: Gently dust the covers and pages occasionally.
5. Can I borrow books without buying them? Public Libraries: Local libraries offer a wide range of books for borrowing. Book Swaps: Community book exchanges or online platforms where people exchange books.
6. How can I track my reading progress or manage my book collection? Book Tracking Apps: Goodreads, LibraryThing, and Book Catalogue are popular apps for tracking your reading progress and managing book collections. Spreadsheets: You can create your own spreadsheet to track books read, ratings, and other details.
7. What are Control Of Electric Machine Drive Systems audiobooks, and where can I find them? Audiobooks: Audio recordings of books, perfect for listening while commuting or multitasking. Platforms: Audible, LibriVox, and Google Play Books offer a wide selection of audiobooks.
8. How do I support authors or the book industry? Buy Books: Purchase books from authors or independent bookstores. Reviews: Leave reviews on platforms like Goodreads or Amazon. Promotion: Share your favorite books on social media or recommend them to friends.

9. Are there book clubs or reading communities I can join? Local Clubs: Check for local book clubs in libraries or community centers. Online Communities: Platforms like Goodreads have virtual book clubs and discussion groups.
10. Can I read Control Of Electric Machine Drive Systems books for free? Public Domain Books: Many classic books are available for free as they're in the public domain. Free E-books: Some websites offer free e-books legally, like Project Gutenberg or Open Library.

### Find Control Of Electric Machine Drive Systems :

#### **America 73-2599 machine learning basics tutorial for creators 73-1039**

*for creators 73-2121 AI tools step by step for startups 73-2302 AI tools retirement planning guide USA 73-153 retirement planning review for review America 73-821 electric vehicles review USA 73-2100 electric USA 73-2526 digital marketing apps USA 73-970 digital marketing by step for startups 73-2246 budget travel strategies for creators 73-1925 small business ideas software for startups 73-2270 small travel tips roadmap for entrepreneurs 73-2249 travel tips roadmap for blueprint for entrepreneurs 73-1590 YouTube growth blueprint for automation case study for entrepreneurs 73-2730 business automation case startups 73-820 fitness routines tips America 73-1964 fitness routines 73-1315 blockchain development best practices for startups 73-2913 strategies for entrepreneurs 73-1773 smart home tech strategies for stock market explained for entrepreneurs 73-2777 stock market for entrepreneurs 73-486 credit score improvement software for small*

### Control Of Electric Machine Drive Systems :

#### **free pdf download lady sophia und die schatten der vergangenheit gr - May 19 2022**

web lady sophia und die schatten der vergangenheit gr leo baeck philosophical and rabbinical approaches mar 11 2022  
papers from the annual conference of the abraham geiger college oswald marbachs physikalisches lexikon nov 07 2021  
lehrbuch der navigation und ihren mathematischen hulfs wissenschaften für die königl preussischen  
*lady sophia und die schatten der vergangenheit gr download - Sep 22 2022*

web 2 lady sophia und die schatten der vergangenheit gr 2022 12 22 eine wintergeschichte voller schnee kaminfeuer sturm und liebe zwei vom schicksal gezeichnete menschen denen die liebe eine zweite chance

**Σοφία Σειράχ Βικιπαίδεια** - Jul 21 2022

web Συναπαντήθηκε με ειδωλολάτρες και πιστούς Τον διέκρινε και Θεία Σοφία έτσι λοιπόν έγραψε τη Σοφία Σειράχ που μέχρι σήμερα διαβάζουμε 1 Προς το τέλος της ζωής του ίδρυσε σχολή για τους

sophia latein deutsch Übersetzung pons - Feb 13 2022

web Übersetzung latein deutsch für sophia im pons online wörterbuch nachschlagen gratis vokabeltrainer verbtabelle aussprachefunktion

*lady sophia und die schatten der vergangenheit gr pdf* - Apr 17 2022

web dec 24 2022 lady sophia und die schatten der vergangenheit gr 1 8 downloaded from avenza dev avenza com on december 24 2022 by guest lady sophia und die schatten der vergangenheit gr if you ally dependence such a referred lady sophia und die schatten der vergangenheit gr book

**lady sophia und die schatten der vergangenheit gr copy** - Oct 24 2022

web lady sophia und der charmante gentleman ist der dritte band der romantischen regency reihe von usa today bestsellerautorin rachael anderson ebooks von beheartbeat herzklopfen garantiert

lady sophia und die schatten der vergangenheit amazon de - Aug 02 2023

web eine geschichte um geldgier lüge und täuschung aber auch um freundschaft loyalität und natürlich um die liebe lady sophia und die schatten der vergangenheit ist der zweite roman aus der reihe great northern shipping

*lady sophia und die schatten der vergangenheit thalia* - Sep 03 2023

web als sophia durch die machenschaften geldgieriger geschäftsleute in schwierigkeiten gerät bietet der baron seine hilfe an doch die dämonen der vergangenheit ruhen nicht sophia wird entführt und henry sieht sich alsbald einem grausamen gegner gegenüber

**lady sophia und die schatten der vergangenheit gr pdf** - Feb 25 2023

web the heavenly sophia and the being anthroposophia jul 28 2023 based on the author s experience of the suprasensory being behind spiritual science anthroposophy this volume is the culmination of sergei prokofieff s twenty five years of

*lady sophia und die schatten der vergangenheit gr pdf* - Aug 22 2022

web die schatten und der regen nov 23 2022 ist viktor vinblad tatsächlich ein mörder oder hat man ihm vor jahren unrecht getan als seine jugendliebe ermordet wurde und er selbst danach spurlos verschwand ist er etwa selbst einem verbrechen zum opfer gefallen nach jahrzehnten des schweigens und der

*lady sophia und die schatten der vergangenheit gr download* - Nov 24 2022

web 2 lady sophia und die schatten der vergangenheit gr 2023 05 25 seeks to provide an ecumenical gender sensitive interpretation and reception history of the writings and later wisdom traditions including ben sira and the wisdom of solomon articles trace the living conditions of women examine the presentation of female

**lady sophia und die schatten der vergangenheit gr pdf** - Dec 26 2022

web lady sophia und die schatten der vergangenheit women writers of yiddish literature women without a past classische cabinets bibliothek oder sammlung auserlesener werke der deutschen und fremd literatur sophie discovers amerika german women as letter writers 1750 1850 the international who s who of women 2002 leprechauns

**lady sophia und die schatten der vergangenheit goodreads** - Jul 01 2023

web baron camerden ist auf den ersten blick fasziniert von der zurückhaltenden lady sophia doch welches geheimnis verbirgt die junge witwe die man überall nur die steinerne lady nennt auch camerden selbst kann keinen frieden finden die erlebnisse der kriegsgefangenschaft verfolgen ihn ein jahr nach seiner rückkehr noch immer

**lady sophia und die schatten der vergangenheit von helena** - Jan 27 2023

web eine geschichte um geldgier lüge und täuschung aber auch um freundschaft loyalität und natürlich um die liebe lady sophia und die schatten der vergangenheit ist der zweite roman aus der reihe great northern shipping

*Σοφία εποίησε* - Mar 17 2022

web Σοφία εποίησε

**lady sophia und die schatten der vergangenheit gr** - Jun 19 2022

web die ladys von london lady prudence und der verwegene lord illustrierte zeitung geschichte der englischen literatur von den ältesten zeiten bis zur gegenwart bd i die neuenglische zeit seit der restauration

**lady sophia und die schatten der vergangenheit gr** - Apr 29 2023

web the whitney the guggenheim the louvre of refrigerators can sophia persuade them to take a chance on a new perspective so they can see love from her point of view jesus miriam s child sophia s prophet jul 11 2022 in jesus miriam s child sophia s prophet elisabeth schssler fiorenza makes a unique contribution to two quite

lady sophia und die schatten der vergangenheit weltbild - May 31 2023

web doch welches geheimnis verbirgt die junge witwe sophia die man überall nur die steinerne lady nennt als sophia durch die machenschaften geldgieriger geschäftsleute in schwierigkeiten gerät bietet der baron seine hilfe an doch die dämonen der vergangenheit ruhen nicht sophia wird entführt und henry sieht sich alsbald einem

**lady sophia und die schatten der vergangenheit great northern shipping** - Oct 04 2023

web als sophia durch die machenschaften geldgieriger geschäftsleute in schwierigkeiten gerät bietet er seine hilfe an er ahnt dabei nicht dass er sich alsbald einem grausamen gegner gegenübersehen wird lassen sie sich mitreißen von dem

emotionalen und spannenden zweiten teil der serie great northern shipping  
[lady sophia und die schatten der vergangenheit gr pdf](#) - Mar 29 2023

web lady sophia und die schatten der vergangenheit gr authors and subjects feb 12 2021 das staatsarchiv oct 03 2022 pistis sophia feb 07 2023 the american cyclopaedia jan 02 2020 sophia maria apr 28 2022 an indispensable source of reference for anyone wanting to learn more about the sophianic movement

**how to download wattpad stories in txt file on computer pc** - Feb 26 2022

web step1 enter this website m wattpad com step2 click read offline step3 enter the wattcode of the story you can find its wattcode at the right corner of the screen of the story step4 select phone type if it appears because some cp doesn t appears like mine step5 click see other parts

**easy way to download wattpad story to pdf epub mobi txt** - Mar 10 2023

web may 20 2021 isummersoft wattpad converter allows you to download the wattpad story to a corresponding pdf or epub mobi docx txt book isummersoft wattpad converter compatibility os windows mac used wattpad story downloader wattpad story ebooks to pdf converter output file format epub mobi txt docx and pdf

[formatting your story help center](#) - Dec 07 2022

web wattpad follow every story is unique and to showcase this it can be fun to play around with different font styles and alignments to personalize your story on the writing page you can add bold italics and underlining align your text to the right left or center

**dokumen tips wattpad stories soft copies remembering a wattpad** - Jul 02 2022

web wattpad soft copies book pwede pong manghingi ng soft copy kahit anu pong magandang story tnx still remember that we do actually have a group and naka list of soft copies txt scribd scribd com doc 190674842 list of soft copies txt list of soft copies in wattpad upload log in finished stories

**list of soft copies pdf scribd** - Feb 09 2023

web list of soft copies in wattpad copyright attribution non commercial by nc available formats download as txt pdf txt or read online from scribd flag for inappropriate content download now of 4 finished stories

**how to copy stories on wattpad pdf online services** - Jun 01 2022

web how to copy stories on wattpad free download as text file txt pdf file pdf or read online for free hello this is a easy way to download any stories in wattpad

[soft copies labydaby wattpad](#) - Apr 11 2023

web here you can find a free soft copies of our favorite authors pdf files txt format and docx format credits goes to our favorite authors

*wattpad ebook reader s soft copy story free avail here* - Jan 08 2023

web about this group [writing and wattpadding a guide format paragraphs chapters wattpad](#) soft copy story free avail here if you want to read some soft copies story just join us here rules and regulations for wattpad ebook reader s soft copy story free avail here

[writing and wattpadding a guide format paragraphs chapters wattpad](#) - Nov 06 2022

web writing and wattpadding a guide non fiction in here i will cover many different topics about writing such as coming up with story ideas and getting those ideas to morph into a story i will also discuss becoming a productive member of wattpad the secrets to getting reads how to act pro

**how to copy text from wattpad isummersoft** - Apr 30 2022

web sep 5 2021 step 1 find the wattpad books you want to copy text from and just read it step 2 in the reading mode check the link url and you ll see some numbers before the chapter name as below step 3 to enable the phone mode just replace the in m wattpad com m 1 with the numbers you find in the above step

**how can i have a pdf soft copy from wattpad ask me fast** - Mar 30 2022

web pdf soft copy of wattpad stories can i still download a soft copy a wattpad story even though it is already been published as a book wattpad reader here i m using myphone t23 duo and i wanna read stories from wattpad by soft copies but the files are cannot be read what should i do wattpad2any online

**wattpad story with soft copy text format speakings gestamp** - Dec 27 2021

web jun 14 2023 documents of this wattpad story with soft copy text format by online if you ally way such a referred wattpad story with soft copy text format books that will find the money for you worth obtain the definitely best seller from us nowfrom several preferred authors you could quickly fetch this wattpad story with soft copy text format after

*authors with soft copies lm wattpad* - May 12 2023

web apr 3 2013 here you can find a free soft copies of our favorite authors pdf files txt format and docx format credits goes to our favorite authors

[authors with soft copies soft copies wattpad](#) - Aug 15 2023

web authors with soft copies teen fiction here you can find a free soft copies of our favorite authors pdf files txt format and docx format credits goes to our favorite authors

**soft copy available free tjpotz wattpad** - Sep 04 2022

web 72 2k 770 50 it all started with a deal with her friends lokohin haggang ma in love si michael salmonte until one day the table had already turn and she found herself in love with him and the saddest part is that he doesn t feel the same way she left to move on but 10 years later she is still in love with the magician who chang

**soft copy namimigay sila ng soft copy khuletzellen wattpad** - Jul 14 2023

web here you can find a free soft copies of our favorite authors pdf files txt format and docx format credits goes to our favorite authors

[how to copy text from wamppad z3kit](#) - Aug 03 2022

web there are 3 ways to copy text from wamppad 1 select text and darg 2 disable javascript to copy text 3 use z3kit wamppad downloader

**best author with softcopies softcopies page 1 wamppad** - Oct 05 2022

web wamppad stories softcopies collections of soft copies bhabyqurl021stories weebly com sjmcarmenta jimdo com download stories haveyouseenthisgirl yolasite com download story php peterpan26 yolosite com purpleyhanstories yolasite com whenitcomestolove webs com downloads

[softcopies cloeshee wamppad](#) - Jun 13 2023

web here you can find a free soft copies of our favorite authors pdf files txt format and docx format credits goes to our favorite authors

**quora a place to share knowledge and better understand the world** - Jan 28 2022

web we would like to show you a description here but the site won t allow us

[shri devi kavach and devi suktam sahaja yoga madhu doshi](#) - Aug 08 2022

web feb 11 2010 devi kavach sahaja yoga posted on february 11 2010 by shrimatajilectures devi kavach sahaja yoga prayers praises protocol to h h shri

[the kavach of the devi read in english youtube](#) - Aug 20 2023

web by vedified may 30 2022 devi kavacham is the divine armour of devi bhagwati from devi mahatmayam in the markandeya purana it is recited before durga saptasathi by

*devi kavacham the armour the many forms of the goddess* - May 17 2023

web oct 16 2020 the kavach of the devi shri chandi kavacham in sanskrit sung live during navaratri puja 2009 in cabella by tim bruce and an international collective of

**devi kavacham from devi mahatmya with english translation** - May 05 2022

web jul 6 2014 here begins the main part of the devi kavach asya shrī chandī kavachasya brahmā ṛishihi the presiding sage of shri chandi kavach is brahma anushtup

**significance of devi kavacham navratri special chant** - Apr 16 2023

web devi kavacham is considered as a powerful stotram chant to nullify negative vibes around you it acts as an armour in protecting one from any evil spirits devi kavacham was

**navratri 2023 day 6 maa katyayani date puja vidhi mantra** - Nov 30 2021

web oct 12 2023 chandan pandey 1 song 18 minutes oct 12 2023 1 devi kavacham 18 46 jhumna music listen to your favorite songs from devi

[google for india 2023 google to launch digi kavach to protect](#) - Jul 27 2021

[devi kavach details the devi mahatmya digital temple of](#) - Feb 02 2022

web 2 days ago navratri 2023 day 6 is dedicated to worshipping goddess katyayani the sixth form of goddess durga she is known for her fierce nature and is believed to help

**devi kavacham by chandan pandey on amazon music unlimited** - Sep 28 2021

web oct 19 2023 at the google for india 2023 event the company announced its new program called digi kavach for indian users it is designed to protect users from online scams

[sacred texts books](#) - Apr 04 2022

web devi kavach details sl my breath elimination digestion nervous system and body heat these my vital forces all that which remains excluded and wanting for protection

**significance and lyrics of devi kavacham the art of living india** - Feb 14 2023

web oct 2 2020 this recording can be used as a support for your own daily meditation or collectively they can also be used when traveling learn how to meditate with sahaja

[devyah kavacam devi kavach](#) - Jun 18 2023

web mar 5 2014 the devi kavach is a must do mantra for those pursuing the shakti form of yoga and meditation to invoke the power of the goddess within you this is chanted

**navratri 2023 day 6 maa katyayani puja vidhi shubh muharat** - Oct 30 2021

web oct 11 2022 durga kavach and devi kavach are both protective mantras that are recited in order to keep negative energy and influences at bay they are both very powerful and

[devi kavacham hindupedia the hindu encyclopedia](#) - Jun 25 2021

**devi mahatmya wikipedia** - Jan 13 2023

web dec 25 2022 devi kavacham dēvī kavacam asya śrīcaṇḍīkavacasya brahmā r ṣiḥ anuṣṭup chandaḥ śrīcāmuṇḍā dēvatā aṅganyāsōktamātarō bījam

**devi kavacham lyrics and meaning vedified** - Jul 19 2023

web nov 11 2021 the devi kavacham is considered as a powerful stotram chant to nullify negative vibes around you it acts as an armour in protecting one from any evil spirits

*shri devi kavacham* [ ] [ ] [ ] [ ] [ ] youtube - Oct 10 2022

web shri devi kavach and devi suktam sahaja yoga madhu doshi devi kavach is for protection a video made for meditation during navratris for all the sahaja yogis devi

**kavach of the devi youtube** - Dec 12 2022

web jun 8 2019 shri devi kavacham [ ] [ ] [ ] [ ] [ ] shri mataji voice anjali kadri sahayogaculture21 gmail com soundcloud com sahayayoga cul meaning of

**devi kavach sahaja yoga shri mataji nirmala devi s pure** - Jun 06 2022

web the essence of divine bliss jnaneshwara shri mataji nirmala devi called this book the last word on spirituality written seven hundred years ago jnaneshwara s

**kavach of the devi sahaja yoga pdf devi deities scribd** - Jan 01 2022

web 2 days ago if reciting the entire durga saptashati is challenging you can read the kavach path chant the katyayani mata mantra 108 times for seeking a desired life partner

*shri devi kavacham spreading sahaja yoga* - Jul 07 2022

web apr 16 2014 hey great sage there is a very secret devi kavacha armour of goddess which is useful to all animals and which has not been told to any one 3 pradhama

**durga kavach and devi kavach what s the difference** - Aug 28 2021

web after reciting this armour of the goddess if one recites the devi mahatmya also called chandi or durga saptasathi he would live in this world surrounded by forests and

*devi kavacham dēvī kavacam stotra nidhi* - Nov 11 2022

web here is presented an illustrated and visual kavach of the devi like the bandhan the devi kavach protects every aspect of our life and all parts of the body shri mataji explained

*devi kavach* - Sep 09 2022

web oct 1 2019 devi kavacham is considered as a powerful stotram chant to nullify negative vibes around you it acts as an armour in protecting one from any evil spirits devi

*devi kavacham armor of goddess mantra with translations* - Sep 21 2023

web nov 20 2019 a powerful chant to nullify negative vibes and act as an armour devi kavacham was recited by lord brahma to sage markandeya and consists of 47 slokas

*the kavach of the devi sung in sanskrit youtube* - Mar 15 2023

web the devi mahatmya or devi mahatmyam sanskrit [ ] [ ] [ ] [ ] [ ] [ ] romanized devīmāhātmyam lit glory of the goddess is a hindu philosophical text describing the

kavach of the devī shrī chandī kavacham 1library - Mar 03 2022

web by reading the kavach of the devi we mobilise these powers to purify and enlighten our koshas our mental emotional and physical bodies thus by the power of the gurumata