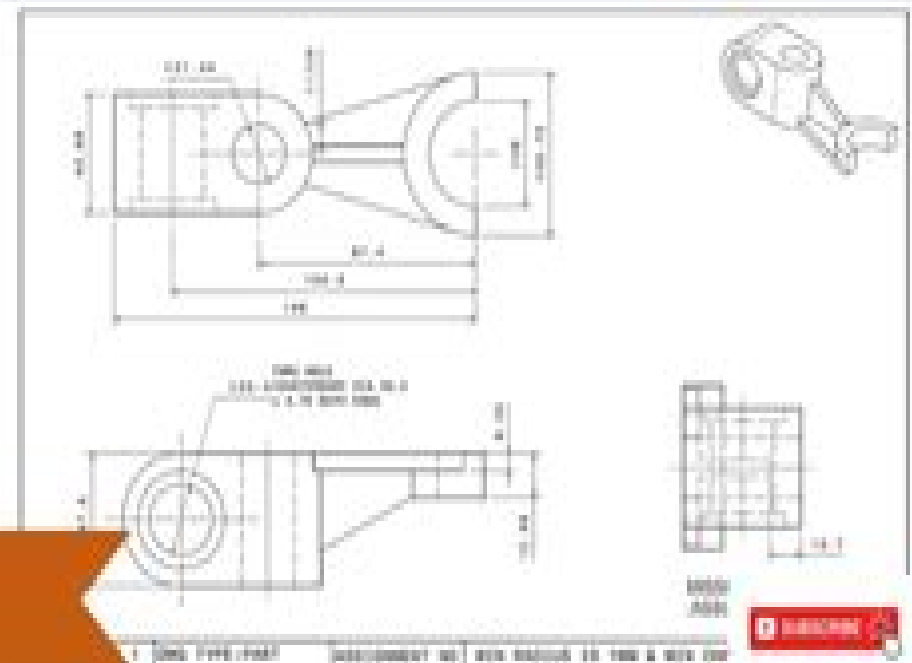
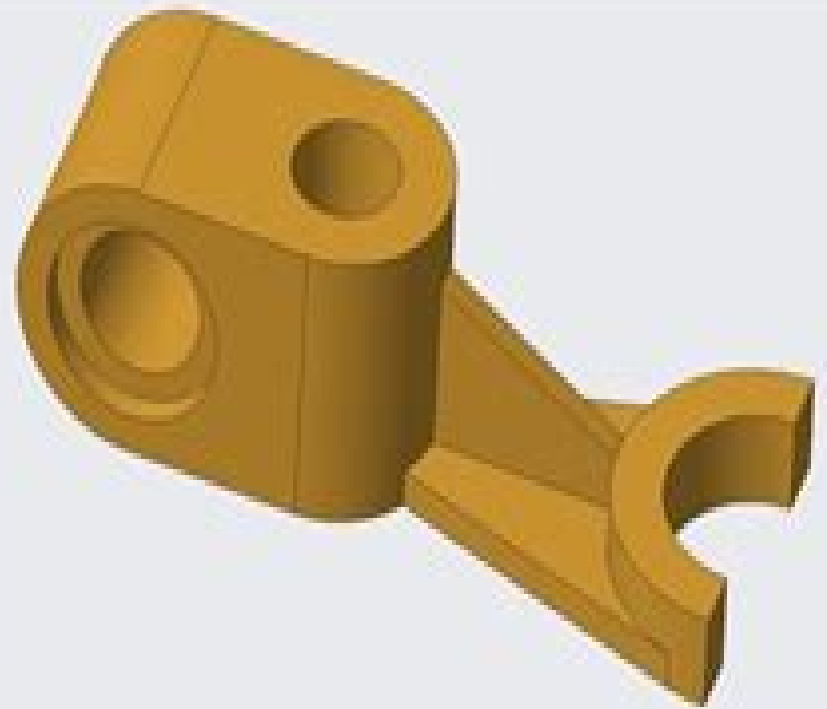


Creo Tutorial for Beginners



Creo Basic Tutorial Slidforyou

Tutorial Books



Creo Basic Tutorial Slibforyou:

Creo Simulate 6.0 Tutorial Roger Toogood,2019-06 Creo Simulate 6 0 Tutorial introduces new users to finite element analysis using Creo Simulate and how it can be used to analyze a variety of problems The tutorial lessons cover the major concepts and frequently used commands required to progress from a novice to an intermediate user level The commands are presented in a click by click manner using simple examples and exercises that illustrate a broad range of the analysis types that can be performed In addition to showing the command usage the text will explain why certain commands are being used and where appropriate the relation of commands to the overall Finite Element Analysis FEA philosophy are explained Moreover since error analysis is an important skill considerable time is spent exploring the created models so that users will become comfortable with the debugging phase of modeling This textbook is written for first time FEA users in general and Creo Simulate users in particular After a brief introduction to finite element modeling the tutorial introduces the major concepts behind the use of Creo Simulate to perform Finite Element Analysis of parts These include modes of operation element types design studies analysis sensitivity studies organization and the major steps for setting up a model materials loads constraints analysis type studying convergence of the solution and viewing the results Both 2D and 3D problems are covered This tutorial deals exclusively with operation in integrated mode with Creo Parametric It is suitable for use with both Releases 6 0 of Creo Simulate The tutorials consist of the following 2 lessons on general introductory material 2 lessons introducing the basic operations in Creo Simulate using solid models 4 lessons on model idealizations shells beams and frames plane stress etc 1 lesson on miscellaneous topics 1 lesson on steady and transient thermal analysis *Creo Simulate 5.0 Tutorial* Roger Toogood,2018 Creo Simulate 5 0 Tutorial introduces new users to finite element analysis using Creo Simulate and how it can be used to analyze a variety of problems The tutorial lessons cover the major concepts and frequently used commands required to progress from a novice to an intermediate user level The commands are presented in a click by click manner using simple examples and exercises that illustrate a broad range of the analysis types that can be performed In addition to showing the command usage the text will explain why certain commands are being used and where appropriate the relation of commands to the overall Finite Element Analysis FEA philosophy are explained Moreover since error analysis is an important skill considerable time is spent exploring the created models so that users will become comfortable with the debugging phase of modeling This textbook is written for first time FEA users in general and Creo Simulate users in particular After a brief introduction to finite element modeling the tutorial introduces the major concepts behind the use of Creo Simulate to perform Finite Element Analysis of parts These include modes of operation element types design studies analysis sensitivity studies organization and the major steps for setting up a model materials loads constraints analysis type studying convergence of the solution and viewing the results Both 2D and 3D problems are covered This tutorial deals exclusively with operation in integrated mode with Creo Parametric It is suitable for use with both Releases 5 0

of Creo Simulate The tutorials consist of the following 2 lessons on general introductory material 2 lessons introducing the basic operations in Creo Simulate using solid models 4 lessons on model idealizations shells beams and frames plane stress etc 1 lesson on miscellaneous topics 1 lesson on steady and transient thermal analysis

Parametric Modeling with Creo Parametric 4.0 Randy Shih, 2017-10-05 The primary goal of Parametric Modeling with Creo Parametric 4.0 is to introduce the aspects of Solid Modeling and Parametric Modeling This text is intended to be used as a training guide for any student or professional wanting to learn to use Creo Parametric This text covers Creo Parametric and the lessons proceed in a pedagogical fashion to guide you from constructing basic shapes to building intelligent solid models and creating multi view drawings This text takes a hands on exercise intensive approach to all the important Parametric Modeling techniques and concepts This textbook contains a series of eleven tutorial style lessons designed to introduce beginning CAD users to Creo Parametric The basic premise of this book is that the more designs you create using Creo Parametric the better you learn the software With this in mind each lesson introduces a new set of commands and concepts building on previous lessons This book will provide you with a good basis for exploring and growing in the exciting field of Computer Aided Engineering This book also introduces you to the general principles of 3D printing including a brief history of 3D printing the types of 3D printing technologies commonly used filaments and the basic procedure for printing a 3D model 3D printing makes it easier than ever for anyone to start turning their designs into physical objects and by the end of this book you will be ready to start printing out your own designs

Parametric Modeling with Creo Parametric 8.0 Randy Shih, 2021-09 The primary goal of Parametric Modeling with Creo Parametric 8.0 is to introduce the aspects of Solid Modeling and Parametric Modeling This text is intended to be used as a training guide for any student or professional wanting to learn to use Creo Parametric This text covers Creo Parametric and the lessons proceed in a pedagogical fashion to guide you from constructing basic shapes to building intelligent solid models and creating multi view drawings This text takes a hands on exercise intensive approach to all the important Parametric Modeling techniques and concepts This textbook contains a series of 13 tutorial style lessons designed to introduce beginning CAD users to Creo Parametric The basic premise of this book is that the more designs you create using Creo Parametric the better you learn the software With this in mind each lesson introduces a new set of commands and concepts building on previous lessons This book will provide you with a good basis for exploring and growing in the exciting field of Computer Aided Engineering This book also introduces you to the general principles of 3D printing including a brief history of 3D printing the types of 3D printing technologies commonly used filaments and the basic procedure for printing a 3D model 3D printing makes it easier than ever for anyone to start turning their designs into physical objects and by the end of this book you will be ready to start printing out your own designs

Designing with Creo Parametric 7.0 Michael Rider, 2020-09-25 Designing with Creo Parametric 7.0 provides the high school student college student or practicing engineer with a basic introduction to engineering design while learning the 3D modeling

Computer Aided Design software called Creo Parametric from PTC The topics are presented in tutorial format with exercises at the end of each chapter to reinforce the concepts covered It is richly illustrated with computer screen shots throughout Above all this text is designed to help you expand your creative talents and communicate your ideas through the graphics language Because it is easier to learn new information if you have a reason for learning it this textbook discusses design intent while you are learning Creo Parametric At the same time it shows how knowledge covered in basic engineering courses such as statics dynamics strength of materials and design of mechanical components can be applied to design You do not need an engineering degree nor be working toward a degree in engineering to use this textbook Although FEA Finite Element Analysis is used in this textbook its theory is not covered The first two chapters of this book describe the design process The meat of this text learning the basic Creo Parametric software is found in Chapters three through six Chapters seven eight and 12 deal with dimensioning and tolerancing an engineering part Chapters nine and ten deal with assemblies and assembly drawings Chapter 11 deals with family tables used when similar parts are to be designed or used Chapter 13 is an introduction to Creo Simulate and FEA

Creo Parametric 4.0 Basics CREATESPACE INDEPENDENT PUB, Tutorial Books, 2017-03-29 If you like to learn by doing then this book shows you to design and document mechanical components one step at a time Brief explanations followed by step by step instructions and a real world example make it a good starting point to learn Creo Parametric The author introduces the user interface and then starts solid modeling You will learn to draw sketches create 3D parts and assemble them create drawings sheet metal parts and design complex shapes using surface modeling tools The examples in this book help you to discover the use of various tools and capabilities of Creo Parametric Following are some of the skills you acquire after completing this book A good command over the user interface Create and edit parametric sketches Create basic and complex solid models Create assemblies using Bottom up and Top down approaches Create manufacturing drawings Sheet metal design Create and edit splines Create complex and ergonomic surfaces

Creo Parametric 4.0 Basics is a self study guide You can learn various tools or work with examples In both ways you can develop a good foundation in solid modeling

Designing with Creo Parametric 5.0 Michael Rider, 2018 Designing with Creo Parametric 5.0 provides the high school student college student or practicing engineer with a basic introduction to engineering design while learning the 3D modeling Computer Aided Design software called Creo Parametric from PTC The topics are presented in tutorial format with exercises at the end of each chapter to reinforce the concepts covered It is richly illustrated with computer screen shots throughout Above all this text is designed to help you expand your creative talents and communicate your ideas through the graphics language Because it is easier to learn new information if you have a reason for learning it this textbook discusses design intent while you are learning Creo Parametric At the same time it shows how knowledge covered in basic engineering courses such as statics dynamics strength of materials and design of mechanical components can be applied to design You do not need an engineering degree nor be working toward a degree in engineering

to use this textbook Although FEA Finite Element Analysis is used in this textbook its theory is not covered The first two chapters of this book describe the design process The meat of this text learning the basic Creo Parametric software is found in Chapters 3 through 6 Chapters 7 8 and 12 deal with dimensioning and tolerancing an engineering part Chapters 9 and 10 deal with assemblies and assembly drawings Chapter 11 deals with family tables used when similar parts are to be designed or used Chapter 13 is an introduction to Creo Simulate and FEA

Designing with Creo Parametric 6.0 Michael Rider,2019-08 Designing with Creo Parametric 6 0 provides the high school student college student or practicing engineer with a basic introduction to engineering design while learning the 3D modeling Computer Aided Design software called Creo Parametric from PTC The topics are presented in tutorial format with exercises at the end of each chapter to reinforce the concepts covered It is richly illustrated with computer screen shots throughout Above all this text is designed to help you expand your creative talents and communicate your ideas through the graphics language Because it is easier to learn new information if you have a reason for learning it this textbook discusses design intent while you are learning Creo Parametric At the same time it shows how knowledge covered in basic engineering courses such as statics dynamics strength of materials and design of mechanical components can be applied to design You do not need an engineering degree nor be working toward a degree in engineering to use this textbook Although FEA Finite Element Analysis is used in this textbook its theory is not covered The first two chapters of this book describe the design process The meat of this text learning the basic Creo Parametric software is found in Chapters 3 through 6 Chapters 7 8 and 12 deal with dimensioning and tolerancing an engineering part Chapters 9 and 10 deal with assemblies and assembly drawings Chapter 11 deals with family tables used when similar parts are to be designed or used Chapter 13 is an introduction to Creo Simulate and FEA

Parametric Modeling with Creo Parametric 7.0 Randy Shih,2020-08 The primary goal of Parametric Modeling with Creo Parametric 7 0 is to introduce the aspects of Solid Modeling and Parametric Modeling This text is intended to be used as a training guide for any student or professional wanting to learn to use Creo Parametric This text covers Creo Parametric and the lessons proceed in a pedagogical fashion to guide you from constructing basic shapes to building intelligent solid models and creating multi view drawings This text takes a hands on exercise intensive approach to all the important Parametric Modeling techniques and concepts This textbook contains a series of 13 tutorial style lessons designed to introduce beginning CAD users to Creo Parametric The basic premise of this book is that the more designs you create using Creo Parametric the better you learn the software With this in mind each lesson introduces a new set of commands and concepts building on previous lessons This book will provide you with a good basis for exploring and growing in the exciting field of Computer Aided Engineering This book also introduces you to the general principles of 3D printing including a brief history of 3D printing the types of 3D printing technologies commonly used filaments and the basic procedure for printing a 3D model 3D printing makes it easier than ever for anyone to start turning their designs into physical objects and by the end of

this book you will be ready to start printing out your own designs Creo Simulate Tutorial Release 1.0 & 2.0 Roger Toogood,2012 *Creo Simulate Tutorial Releases 1 0 2 0* introduces new users to finite element analysis using Creo Simulate and how it can be used to analyze a variety of problems The tutorial lessons cover the major concepts and frequently used commands required to progress from a novice to an intermediate user level The commands are presented in a click by click manner using simple examples and exercises that illustrate a broad range of the analysis types that can be performed In addition to showing the command usage the text will explain why certain commands are being used and where appropriate the relation of commands to the overall Finite Element Analysis FEA philosophy are explained Moreover since error analysis is an important skill considerable time is spent exploring the created models so that users will become comfortable with the debugging phase of modeling This textbook is written for first time FEA users in general and Creo Simulate users in particular After a brief introduction to finite element modeling the tutorial introduces the major concepts behind the use of Creo Simulate to perform Finite Element Analysis of parts These include modes of operation element types design studies analysis sensitivity studies organization and the major steps for setting up a model materials loads constraints analysis type studying convergence of the solution and viewing the results Both 2D and 3D problems are treated This tutorial deals exclusively with operation in integrated mode with Creo Parametric It is suitable for use with both Releases 1 0 and 2 0 of Creo Simulate *Parametric Modeling with Creo Parametric 5.0* Randy Shih,2018 The primary goal of Parametric Modeling with Creo Parametric 5 0 is to introduce the aspects of Solid Modeling and Parametric Modeling This text is intended to be used as a training guide for any student or professional wanting to learn to use Creo Parametric This text covers Creo Parametric and the lessons proceed in a pedagogical fashion to guide you from constructing basic shapes to building intelligent solid models and creating multi view drawings This text takes a hands on exercise intensive approach to all the important Parametric Modeling techniques and concepts This textbook contains a series of eleven tutorial style lessons designed to introduce beginning CAD users to Creo Parametric The basic premise of this book is that the more designs you create using Creo Parametric the better you learn the software With this in mind each lesson introduces a new set of commands and concepts building on previous lessons This book will provide you with a good basis for exploring and growing in the exciting field of Computer Aided Engineering This book also introduces you to the general principles of 3D printing including a brief history of 3D printing the types of 3D printing technologies commonly used filaments and the basic procedure for printing a 3D model 3D printing makes it easier than ever for anyone to start turning their designs into physical objects and by the end of this book you will be ready to start printing out your own designs *Creo Parametric 6.0 Advanced Tutorial* Roger Toogood,2019-07 The purpose of *Creo Parametric 6 0 Advanced Tutorial* is to introduce you to some of the more advanced features commands and functions in Creo Parametric Each lesson concentrates on a few of the major topics and the text attempts to explain the why s of the commands in addition to a concise step by step description of new

command sequences This book is suitable for a second course in Creo Parametric and for users who understand the features already covered in Roger Toogood's *Creo Parametric Tutorial* The style and approach of the previous tutorial have been maintained from the previous book and the text picks up right where the last tutorial left off The material covered in this tutorial represents an overview of what is felt to be the most commonly used and important functions These include customization of the working environment advanced feature creation sweeps round sets draft and tweaks UDFs patterns and family tables layers Pro PROGRAM and advanced drawing and assembly functions *Creo Parametric 6.0 Advanced Tutorial* consists of eight lessons A continuing theme throughout the lessons is the creation of parts for a medium sized modeling project The project consists of a small three wheeled utility cart Project parts are given at the end of each lesson that utilize functions presented earlier in that lesson Final assembly is performed in the last lesson *Parametric Modeling with Creo Parametric 6.0* Randy Shih, 2019-07 The primary goal of *Parametric Modeling with Creo Parametric 6.0* is to introduce the aspects of Solid Modeling and Parametric Modeling This text is intended to be used as a training guide for any student or professional wanting to learn to use Creo Parametric This text covers Creo Parametric and the lessons proceed in a pedagogical fashion to guide you from constructing basic shapes to building intelligent solid models and creating multi view drawings This text takes a hands on exercise intensive approach to all the important Parametric Modeling techniques and concepts This textbook contains a series of 13 tutorial style lessons designed to introduce beginning CAD users to Creo Parametric The basic premise of this book is that the more designs you create using Creo Parametric the better you learn the software With this in mind each lesson introduces a new set of commands and concepts building on previous lessons This book will provide you with a good basis for exploring and growing in the exciting field of Computer Aided Engineering This book also introduces you to the general principles of 3D printing including a brief history of 3D printing the types of 3D printing technologies commonly used filaments and the basic procedure for printing a 3D model 3D printing makes it easier than ever for anyone to start turning their designs into physical objects and by the end of this book you will be ready to start printing out your own designs *Parametric Modeling with Creo Parametric 3.0* Randy Shih, 2014 The primary goal of *Parametric Modeling with Creo Parametric 3.0* is to introduce the aspects of Solid Modeling and Parametric Modeling This text is intended to be used as a training guide for any student or professional wanting to learn to use Creo Parametric This text covers Creo Parametric and the lessons proceed in a pedagogical fashion to guide you from constructing basic shapes to building intelligent solid models and creating multi view drawings This text takes a hands on exercise intensive approach to all the important Parametric Modeling techniques and concepts This textbook contains a series of eleven tutorial style lessons designed to introduce beginning CAD users to Creo Parametric The basic premise of this book is that the more designs you create using Creo Parametric the better you learn the software With this in mind each lesson introduces a new set of commands and concepts building on previous lessons This book will provide you with a good basis for exploring and

growing in the exciting field of Computer Aided Engineering **Designing with Creo Parametric 8.0** Michael Rider, 2021-08 Designing with Creo Parametric 8.0 provides the high school student college student or practicing engineer with a basic introduction to engineering design while learning the 3D modeling Computer Aided Design software called Creo Parametric from PTC The topics are presented in tutorial format with exercises at the end of each chapter to reinforce the concepts covered It is richly illustrated with computer screen shots throughout Above all this text is designed to help you expand your creative talents and communicate your ideas through the graphics language Because it is easier to learn new information if you have a reason for learning it this textbook discusses design intent while you are learning Creo Parametric At the same time it shows how knowledge covered in basic engineering courses such as statics dynamics strength of materials and design of mechanical components can be applied to design You do not need an engineering degree nor be working toward a degree in engineering to use this textbook Although FEA Finite Element Analysis is used in this textbook its theory is not covered The first two chapters of this book describe the design process The meat of this text learning the basic Creo Parametric software is found in Chapters three through six Chapters seven eight and 12 deal with dimensioning and tolerancing an engineering part Chapters nine and ten deal with assemblies and assembly drawings Chapter 11 deals with family tables used when similar parts are to be designed or used Chapter 13 is an introduction to Creo Simulate and FEA Table of Contents 1 Computer Aided Design 2 Introduction 3 Sketcher 4 Extrusions 5 Revolves 6 Patterns 7 Dimensioning 8 Engineering Drawings 9 Assemblies 10 Assembly Drawings 11 Relations and Family Tables 12 Tolerancing and GD T 13 Creo Simulate and FEA Appendix A Parameters for Drawings Appendix B Drill and Tap Chart Appendix C Surface Roughness Chart Appendix D Clevis Pin Sizes Appendix E Number and Letter Drill Sizes Appendix F Square and Flat Key Sizes Appendix G Screw Sizes Appendix H Nut Sizes Appendix I Setscrew Sizes Appendix J Washer Sizes Appendix K Retaining Ring Sizes Appendix L Basic Hole Tolerance Appendix M Basic Shaft Tolerance Appendix N Tolerance Zones Appendix O International Tolerance Grades References Index *Creo Parametric 5.0 Advanced Tutorial* Roger Toogood, 2018 The purpose of Creo Parametric 5.0 Advanced Tutorial is to introduce you to some of the more advanced features commands and functions in Creo Parametric Each lesson concentrates on a few of the major topics and the text attempts to explain the why's of the commands in addition to a concise step by step description of new command sequences This book is suitable for a second course in Creo Parametric and for users who understand the features already covered in Roger Toogood's Creo Parametric Tutorial The style and approach of the previous tutorial have been maintained from the previous book and the text picks up right where the last tutorial left off The material covered in this tutorial represents an overview of what is felt to be the most commonly used and important functions These include customization of the working environment advanced feature creation sweeps round sets draft and tweaks UDFs patterns and family tables layers Pro PROGRAM and advanced drawing and assembly functions Creo Parametric 5.0 Advanced Tutorial consists of eight lessons A

continuing theme throughout the lessons is the creation of parts for a medium sized modeling project The project consists of a small three wheeled utility cart Project parts are given at the end of each lesson that utilize functions presented earlier in that lesson Final assembly is performed in the last lesson

Creo Parametric 1.0 Roger Toogood,Jack Zecher,2012 The eleven lessons in this tutorial introduce you to the design capabilities of Creo Parametric 1 0 The tutorial covers the major concepts and frequently used commands required to advance from a novice to an intermediate user level Major topics include part and assembly creation and creation of engineering drawings Also illustrated are the major functions that make Creo Parametric a parametric solid modeler These topics are further demonstrated in the video files that come with every book Although the commands are presented in a click by click manner an effort has been made in addition to showing illustrating the command usage to explain why certain commands are being used and the relation of feature selection and construction to the overall part design philosophy Simply knowing where commands can be found is only half the battle As is pointed out numerous times in the text creating useful and effective models of parts and assemblies requires advance planning and forethought Moreover since error recovery is an important skill considerable time is spent exploring the created models In fact some errors are intentionally induced so that users will become comfortable with the debugging phase of model creation At the end of each lesson is a short quiz reviewing the new topics covered in that chapter Following the quiz are several simple exercise parts that can be created using new commands taught in that lesson In addition to these an ongoing project throughout the book is also included This project consists of several parts that are introduced with the early lessons and finally assembled at the end

Creo Parametric 7.0 Basics Tutorial Books,2020-12-11 If you like to learn by doing this book shows you to design and document mechanical components one step at a time Brief explanations followed by step by step instructions and a real world example make it a good starting point to learn Creo Parametric The author introduces the user interface and then starts solid modeling You will learn to draw sketches create 3D parts assemble them create drawings sheet metal parts and design complex shapes using surface modeling tools The examples in this book help you to discover the use of various tools and capabilities of Creo Parametric Following are some of the skills you acquire after completing this book A good command over the user interface Create and edit parametric sketches Create basic and complex solid models Create assemblies using Bottom up and Top down approaches Create manufacturing drawings Sheet metal design Create and edit splines Create complex and ergonomic surfaces

Creo Parametric 7 0 Basics is a self study guide You can learn various tools or work with examples In both ways you can develop a good foundation in solid modeling

Creo Simulate 8.0 Tutorial Roger Toogood,2021 Written for first time FEA and Creo Simulate users Uses simple examples with step by step tutorials Explains the relation of commands to the overall FEA philosophy Both 2D and 3D problems are covered

Creo Simulate 8 0 Tutorial introduces new users to finite element analysis using Creo Simulate and how it can be used to analyze a variety of problems The tutorial lessons cover the major concepts and frequently used commands required to

progress from a novice to an intermediate user level The commands are presented in a click by click manner using simple examples and exercises that illustrate a broad range of the analysis types that can be performed In addition to showing the command usage the text will explain why certain commands are being used and where appropriate the relation of commands to the overall Finite Element Analysis FEA philosophy are explained Moreover since error analysis is an important skill considerable time is spent exploring the created models so that users will become comfortable with the debugging phase of modeling This textbook is written for first time FEA users in general and Creo Simulate users in particular After a brief introduction to finite element modeling the tutorial introduces the major concepts behind the use of Creo Simulate to perform Finite Element Analysis of parts These include modes of operation element types design studies analysis sensitivity studies organization and the major steps for setting up a model materials loads constraints analysis type studying convergence of the solution and viewing the results Both 2D and 3D problems are covered This tutorial deals exclusively with operation in integrated mode with Creo Parametric It is suitable for use with both Releases 8 0 of Creo Simulate The tutorials consist of the following 2 lessons on general introductory material 2 lessons introducing the basic operations in Creo Simulate using solid models 4 lessons on model idealizations shells beams and frames plane stress etc 1 lesson on miscellaneous topics 1 lesson on steady and transient thermal analysis Table of Contents 1 Introduction to FEA 2 Finite Element Analysis with Creo Simulate 3 Solid Models Part 1 Standard Static Analysis 4 Solid Models Part 2 Design Studies Optimization AutoGEM Controls Superposition 5 Plane Stress and Plane Strain Models 6 Axisymmetric Solids and Shells 7 Shell Models 8 Beams and Frames 9 Miscellaneous Topics Cyclic Symmetry Modal Analysis Springs and Masses Contact Analysis 10 Thermal Models Steady state and transient models transferring thermal results for stress analysis

Parametric Modeling With Creo Parametric 1.0 Randy Shih,2011 The primary goal of Parametric Modeling with Creo Parametric 1 0 is to introduce the aspects of Solid Modeling and Parametric Modeling This text is intended to be used as a training guide for any student or professional wanting to learn to use Creo Parametric This text covers Creo Parametric and the lessons proceed in a pedagogical fashion to guide you from constructing basic shapes to building intelligent solid models and creating multi view drawings This text takes a hands on exercise intensive approach to all the important Parametric Modeling techniques and concepts This textbook contains a series of eleven tutorial style lessons designed to introduce beginning CAD users to Creo Parametric The basic premise of this book is that the more designs you create using Creo Parametric the better you learn the software With this in mind each lesson introduces a new set of commands and concepts building on previous lessons This book will provide you with a good basis for exploring and growing in the exciting field of Computer Aided Engineering

Immerse yourself in the artistry of words with Crafted by is expressive creation, **Creo Basic Tutorial Slibforyou** . This ebook, presented in a PDF format (*), is a masterpiece that goes beyond conventional storytelling. Indulge your senses in prose, poetry, and knowledge. Download now to let the beauty of literature and artistry envelop your mind in a unique and expressive way.

https://py.bijouxmedusa.com/public/detail/Download_PDFS/60_2030_weight_loss_explained_for_startups_60_1326_weight_loss_for.pdf

Table of Contents Creo Basic Tutorial Slibforyou

1. Understanding the eBook Creo Basic Tutorial Slibforyou
 - The Rise of Digital Reading Creo Basic Tutorial Slibforyou
 - Advantages of eBooks Over Traditional Books
2. Identifying Creo Basic Tutorial Slibforyou
 - Exploring Different Genres
 - Considering Fiction vs. Non-Fiction
 - Determining Your Reading Goals
3. Choosing the Right eBook Platform
 - Popular eBook Platforms
 - Features to Look for in an Creo Basic Tutorial Slibforyou
 - User-Friendly Interface
4. Exploring eBook Recommendations from Creo Basic Tutorial Slibforyou
 - Personalized Recommendations
 - Creo Basic Tutorial Slibforyou User Reviews and Ratings
 - Creo Basic Tutorial Slibforyou and Bestseller Lists
5. Accessing Creo Basic Tutorial Slibforyou Free and Paid eBooks
 - Creo Basic Tutorial Slibforyou Public Domain eBooks
 - Creo Basic Tutorial Slibforyou eBook Subscription Services

- Creo Basic Tutorial Slibforyou Budget-Friendly Options
- 6. Navigating Creo Basic Tutorial Slibforyou eBook Formats
 - ePub, PDF, MOBI, and More
 - Creo Basic Tutorial Slibforyou Compatibility with Devices
 - Creo Basic Tutorial Slibforyou Enhanced eBook Features
- 7. Enhancing Your Reading Experience
 - Adjustable Fonts and Text Sizes of Creo Basic Tutorial Slibforyou
 - Highlighting and Note-Taking Creo Basic Tutorial Slibforyou
 - Interactive Elements Creo Basic Tutorial Slibforyou
- 8. Staying Engaged with Creo Basic Tutorial Slibforyou
 - Joining Online Reading Communities
 - Participating in Virtual Book Clubs
 - Following Authors and Publishers Creo Basic Tutorial Slibforyou
- 9. Balancing eBooks and Physical Books Creo Basic Tutorial Slibforyou
 - Benefits of a Digital Library
 - Creating a Diverse Reading Collection Creo Basic Tutorial Slibforyou
- 10. Overcoming Reading Challenges
 - Dealing with Digital Eye Strain
 - Minimizing Distractions
 - Managing Screen Time
- 11. Cultivating a Reading Routine Creo Basic Tutorial Slibforyou
 - Setting Reading Goals Creo Basic Tutorial Slibforyou
 - Carving Out Dedicated Reading Time
- 12. Sourcing Reliable Information of Creo Basic Tutorial Slibforyou
 - Fact-Checking eBook Content of Creo Basic Tutorial Slibforyou
 - Distinguishing Credible Sources
- 13. Promoting Lifelong Learning
 - Utilizing eBooks for Skill Development
 - Exploring Educational eBooks
- 14. Embracing eBook Trends

- Integration of Multimedia Elements
- Interactive and Gamified eBooks

Creo Basic Tutorial Slibforyou Introduction

In today's digital age, the availability of Creo Basic Tutorial Slibforyou books and manuals for download has revolutionized the way we access information. Gone are the days of physically flipping through pages and carrying heavy textbooks or manuals. With just a few clicks, we can now access a wealth of knowledge from the comfort of our own homes or on the go. This article will explore the advantages of Creo Basic Tutorial Slibforyou books and manuals for download, along with some popular platforms that offer these resources. One of the significant advantages of Creo Basic Tutorial Slibforyou books and manuals for download is the cost-saving aspect. Traditional books and manuals can be costly, especially if you need to purchase several of them for educational or professional purposes. By accessing Creo Basic Tutorial Slibforyou versions, you eliminate the need to spend money on physical copies. This not only saves you money but also reduces the environmental impact associated with book production and transportation. Furthermore, Creo Basic Tutorial Slibforyou books and manuals for download are incredibly convenient. With just a computer or smartphone and an internet connection, you can access a vast library of resources on any subject imaginable. Whether you're a student looking for textbooks, a professional seeking industry-specific manuals, or someone interested in self-improvement, these digital resources provide an efficient and accessible means of acquiring knowledge. Moreover, PDF books and manuals offer a range of benefits compared to other digital formats. PDF files are designed to retain their formatting regardless of the device used to open them. This ensures that the content appears exactly as intended by the author, with no loss of formatting or missing graphics. Additionally, PDF files can be easily annotated, bookmarked, and searched for specific terms, making them highly practical for studying or referencing. When it comes to accessing Creo Basic Tutorial Slibforyou books and manuals, several platforms offer an extensive collection of resources. One such platform is Project Gutenberg, a nonprofit organization that provides over 60,000 free eBooks. These books are primarily in the public domain, meaning they can be freely distributed and downloaded. Project Gutenberg offers a wide range of classic literature, making it an excellent resource for literature enthusiasts. Another popular platform for Creo Basic Tutorial Slibforyou books and manuals is Open Library. Open Library is an initiative of the Internet Archive, a non-profit organization dedicated to digitizing cultural artifacts and making them accessible to the public. Open Library hosts millions of books, including both public domain works and contemporary titles. It also allows users to borrow digital copies of certain books for a limited period, similar to a library lending system. Additionally, many universities and educational institutions have their own digital libraries that provide free access to PDF books and manuals. These libraries often offer academic texts, research papers, and technical manuals, making them invaluable resources for students.

and researchers. Some notable examples include MIT OpenCourseWare, which offers free access to course materials from the Massachusetts Institute of Technology, and the Digital Public Library of America, which provides a vast collection of digitized books and historical documents. In conclusion, Creo Basic Tutorial Slibforyou books and manuals for download have transformed the way we access information. They provide a cost-effective and convenient means of acquiring knowledge, offering the ability to access a vast library of resources at our fingertips. With platforms like Project Gutenberg, Open Library, and various digital libraries offered by educational institutions, we have access to an ever-expanding collection of books and manuals. Whether for educational, professional, or personal purposes, these digital resources serve as valuable tools for continuous learning and self-improvement. So why not take advantage of the vast world of Creo Basic Tutorial Slibforyou books and manuals for download and embark on your journey of knowledge?

FAQs About Creo Basic Tutorial Slibforyou Books

What is a Creo Basic Tutorial Slibforyou PDF? A PDF (Portable Document Format) is a file format developed by Adobe that preserves the layout and formatting of a document, regardless of the software, hardware, or operating system used to view or print it. **How do I create a Creo Basic Tutorial Slibforyou PDF?** There are several ways to create a PDF: Use software like Adobe Acrobat, Microsoft Word, or Google Docs, which often have built-in PDF creation tools. Print to PDF: Many applications and operating systems have a "Print to PDF" option that allows you to save a document as a PDF file instead of printing it on paper. Online converters: There are various online tools that can convert different file types to PDF. **How do I edit a Creo Basic Tutorial Slibforyou PDF?** Editing a PDF can be done with software like Adobe Acrobat, which allows direct editing of text, images, and other elements within the PDF. Some free tools, like PDFescape or Smallpdf, also offer basic editing capabilities. **How do I convert a Creo Basic Tutorial Slibforyou PDF to another file format?** There are multiple ways to convert a PDF to another format: Use online converters like Smallpdf, Zamzar, or Adobe Acrobat's export feature to convert PDFs to formats like Word, Excel, JPEG, etc. Software like Adobe Acrobat, Microsoft Word, or other PDF editors may have options to export or save PDFs in different formats. **How do I password-protect a Creo Basic Tutorial Slibforyou PDF?** Most PDF editing software allows you to add password protection. In Adobe Acrobat, for instance, you can go to "File" -> "Properties" -> "Security" to set a password to restrict access or editing capabilities. Are there any free alternatives to Adobe Acrobat for working with PDFs? Yes, there are many free alternatives for working with PDFs, such as: LibreOffice: Offers PDF editing features. PDFsam: Allows splitting, merging, and editing PDFs. Foxit Reader: Provides basic PDF viewing and editing capabilities. How do I compress a PDF file? You can use online tools like Smallpdf, ILovePDF, or desktop software like Adobe Acrobat to compress PDF files without significant quality loss. Compression reduces the file size,

making it easier to share and download. Can I fill out forms in a PDF file? Yes, most PDF viewers/editors like Adobe Acrobat, Preview (on Mac), or various online tools allow you to fill out forms in PDF files by selecting text fields and entering information. Are there any restrictions when working with PDFs? Some PDFs might have restrictions set by their creator, such as password protection, editing restrictions, or print restrictions. Breaking these restrictions might require specific software or tools, which may or may not be legal depending on the circumstances and local laws.

Find Creo Basic Tutorial Slibforyou :

60-2030 weight loss explained for startups 60-1326 weight loss for
examples for entrepreneurs 60-1330 cloud computing examples for startups
beginners America 60-797 blog monetization for beginners for
roadmap for creators 60-1026 crypto trading roadmap for entrepreneurs
technology strategies for startups 60-2394 wearable technology tools
travel tips America 60-1730 budget travel tools America 60-1814 budget
America 60-2624 content marketing guide for startups 60-1810 content
tips software for creators 60-180 travel tips step by step USA 60-756
beginners for startups 60-1402 credit score improvement guide USA
America 60-1512 retirement planning examples for small business 60-2853
60-535 productivity hacks ideas America 60-865 productivity hacks ideas
60-802 minimalist lifestyle review for startups 60-1188 minimalist
60-1764 AI tools ideas United States 60-2547 AI tools ideas for
tools case study for entrepreneurs 60-1130 AI tools case study for
study for startups 60-542 coding for beginners checklist for creators

Creo Basic Tutorial Slibforyou :

Spanish 2 Cuaderno de Vocabulario y Gramática - 1st ... Our resource for Expresate!: Spanish 2 Cuaderno de Vocabulario y Gramática includes answers to chapter exercises, as well as detailed information to walk you ... Expresate!: Spanish 2 - 1st Edition - Solutions and Answers Find step-by-step solutions and answers to Expresate!: Spanish 2 - 9780030453229, as well as thousands of textbooks so you can move forward with confidence. Holt spanish 2 answer key: Fill out & sign online Adhere to the instructions below to complete Holt spanish 2 answer key pdf online easily and quickly: Sign in to your account. Sign

up with your credentials or ... Get Holt Spanish 2 Answers Pdf 2020-2023 Complete Holt Spanish 2 Answers Pdf 2020-2023 online with US Legal Forms. Easily fill out PDF blank, edit, and sign them. Save or instantly send your ready ... Amazon.com: ¡Expresate!: Spanish 2 (Holt Spanish: Level 2) It packs a lot of information that would take a high schooler 4 years to complete. It is full of colorful images, explanations in English, and teaches a lot. Holt Spanish 2 Expresate! Cuaderno De Vocabulario Book overview. Book by HOLT, RINEHART AND WINSTON. book Within the depths of this emotional review, we will investigate the book is central harmonies, analyze their enthralling writing fashion, and surrender ... Spanish 1 workbook answers - url-aktuell.de Our resource for Asi se Dice! 1 includes answers to chapter exercises, as well as detailed information to walk you through the process step by step. Mcgraw hill spanish 2 workbook answers Holt Spanish 2 workbook Answer Key Capitulo 1 - Joomlaxe. fsu. Author: Schmitt. Exprésate 1 chapter 2 Vocabulario 1 adjectives and some adverbs. CreateSpace ... Kairos: A Letter to My Daughter - Full Circle Be confident, courageous, and assertive. Take initiative and be resourceful. Follow your truth. With honor serve the world around you with a glad heart and a ... 7 Heartfelt Kairos Retreat Letter Examples To Inspire Your ... 1-Letter to a friend with humor: Dear [Friend's Name], · 2-Letter to a family member with vulnerability: · 3-Letter to God with humility: · 4-Letter to a mentor ... Top 7 Kairos Letter Examples (From Parents & More) Feb 23, 2023 — From Anyone (Friend, Family, or Colleague) ... Dear [name],. I bet you're having a great time at your Kairos retreat! It was such a wonderful ... What is a sample of a retreat letter? Feb 26, 2016 — Dear Sister in Christ, · Kathleen as of yet I have not met you, but I know I already love you. You are a pure and kind hearted woman to everyone. 20 Examples Of Kairos Letters From Parents Dec 8, 2019 — Examples Of Kairos Letters From Parents Luxury Mother Wants Her sons to Know the Meaning Love so She | Letter to son, Kairos, Letters. Sample Letters Of Affirmation For Kairos Retreat Welcome to our literary globe! Below at our magazine, we know the power of a good Sample. Letters Of Affirmation For Kairos Retreat review. Dear JR (a letter to my brother while he is at Kairos-a Catholic ... Dec 2, 2015 — You should always be confident because you are always enough. You are more than enough and you are so special. I am blessed beyond belief to ... Dear Charlie Jan 12, 2013 — I'm touched and honored that your mom asked me to be one of the people to write you a letter for your retreat. I wasn't familiar with the Kairos ... Kairos Letter #1 - If Memory Serves - WordPress.com May 29, 2011 — "Fritz, you are someone who I've always looked up to...hands down. I admire your incredible attitude and sense of humor, and I really value our ... Pearson Survey Of Chemistry Lab Manual Answers Pdf Pearson Survey Of Chemistry Lab Manual Answers Pdf. INTRODUCTION Pearson Survey Of Chemistry Lab Manual Answers Pdf (Download Only) Laboratory Manual for Introductory Chemistry Jul 13, 2021 — Corwin's Laboratory Manual for Introductory Chemistry offers a proven format of a pre-laboratory assignment, a stepwise procedure and a ... Laboratory Manual for Introductory Chemistry Jul 14, 2021 — Corwin's Laboratory Manual for Introductory Chemistry offers a proven format of a pre-laboratory assignment, a stepwise procedure and a post- ... Laboratory Manual for General, Organic, and Biological ... The Laboratory Manual for General,

Organic, and Biological Chemistry, third edition, by Karen C. Timberlake contains 35 experiments related to the content ... Small-Scale Chemistry Laboratory Manual by EL Waterman · Cited by 21 — Many people contributed ideas and resource during the development and writing of this small-scale laboratory manual. Mrs. Jackie Resseguie prepared solutions,. Lab 2 chem 4 copy - Lab 2 for Fundamentals of Chemistry ... Copyript 0 2014 Pearson Education, Inc. 22 Laboratory Manual for General, Organic, and Biological Chemistry D. Problem Solving Using Conversion Factors Your ... Introductory Chemistry - Higher education | Pearson by CH CORWIN · 2019 · Cited by 13 — The Pearson Laboratory Manual for Introductory Chemistry, 7/e, continues to evolve ... These latest experiments reflect the suggestions of instructors and ... Charles H Corwin Solutions Study Guide and Selected Solutions Manual for Introductory Chemistry 6th Edition Copyright 2014 Pearson Education, Inc. 234 Laboratory May 5, 2020 — 234 Laboratory Manual for General, Organic, and Biological Chemistry Questions and Problems Q1 How many mL of a 0.10 M NaOH solution are needed ... CHEM310L - Physical Chemistry I Lab Manual Then, complete the questions and data analysis as specified in the Lab manual and in ... recognize that questions about chemistry are often difficult to answer ...