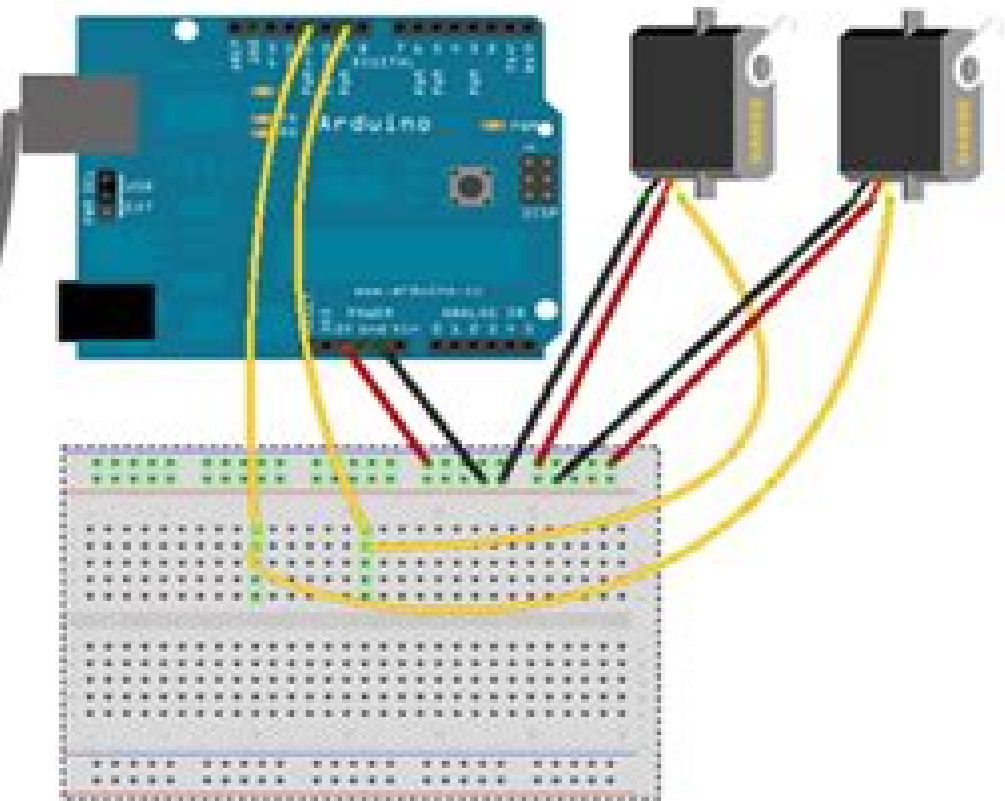


Kinect USB to PC



Arduino USB to PC



Arduino And Kinect Projects

J Ma



Arduino And Kinect Projects:

When people should go to the ebook stores, search instigation by shop, shelf by shelf, it is in fact problematic. This is why we present the book compilations in this website. It will utterly ease you to see guide **Arduino And Kinect Projects** as you such as.

By searching the title, publisher, or authors of guide you in reality want, you can discover them rapidly. In the house, workplace, or perhaps in your method can be every best area within net connections. If you point to download and install the Arduino And Kinect Projects, it is no question easy then, past currently we extend the colleague to buy and make bargains to download and install Arduino And Kinect Projects therefore simple!

<https://py.bijouxmedusa.com/data/Resources/HomePages/just%20enough%20research%20erika%20hall.pdf>

Table of Contents Arduino And Kinect Projects

1. Understanding the eBook Arduino And Kinect Projects
 - The Rise of Digital Reading Arduino And Kinect Projects
 - Advantages of eBooks Over Traditional Books
2. Identifying Arduino And Kinect Projects
 - Exploring Different Genres
 - Considering Fiction vs. Non-Fiction
 - Determining Your Reading Goals
3. Choosing the Right eBook Platform
 - Popular eBook Platforms
 - Features to Look for in an Arduino And Kinect Projects
 - User-Friendly Interface
4. Exploring eBook Recommendations from Arduino And Kinect Projects
 - Personalized Recommendations
 - Arduino And Kinect Projects User Reviews and Ratings
 - Arduino And Kinect Projects and Bestseller Lists

5. Accessing Arduino And Kinect Projects Free and Paid eBooks
 - Arduino And Kinect Projects Public Domain eBooks
 - Arduino And Kinect Projects eBook Subscription Services
 - Arduino And Kinect Projects Budget-Friendly Options
6. Navigating Arduino And Kinect Projects eBook Formats
 - ePub, PDF, MOBI, and More
 - Arduino And Kinect Projects Compatibility with Devices
 - Arduino And Kinect Projects Enhanced eBook Features
7. Enhancing Your Reading Experience
 - Adjustable Fonts and Text Sizes of Arduino And Kinect Projects
 - Highlighting and Note-Taking Arduino And Kinect Projects
 - Interactive Elements Arduino And Kinect Projects
8. Staying Engaged with Arduino And Kinect Projects
 - Joining Online Reading Communities
 - Participating in Virtual Book Clubs
 - Following Authors and Publishers Arduino And Kinect Projects
9. Balancing eBooks and Physical Books Arduino And Kinect Projects
 - Benefits of a Digital Library
 - Creating a Diverse Reading Collection Arduino And Kinect Projects
10. Overcoming Reading Challenges
 - Dealing with Digital Eye Strain
 - Minimizing Distractions
 - Managing Screen Time
11. Cultivating a Reading Routine Arduino And Kinect Projects
 - Setting Reading Goals Arduino And Kinect Projects
 - Carving Out Dedicated Reading Time
12. Sourcing Reliable Information of Arduino And Kinect Projects
 - Fact-Checking eBook Content of Arduino And Kinect Projects
 - Distinguishing Credible Sources
13. Promoting Lifelong Learning

- Utilizing eBooks for Skill Development
 - Exploring Educational eBooks
14. Embracing eBook Trends
- Integration of Multimedia Elements
 - Interactive and Gamified eBooks

Arduino And Kinect Projects Introduction

In today's digital age, the availability of Arduino And Kinect Projects books and manuals for download has revolutionized the way we access information. Gone are the days of physically flipping through pages and carrying heavy textbooks or manuals. With just a few clicks, we can now access a wealth of knowledge from the comfort of our own homes or on the go. This article will explore the advantages of Arduino And Kinect Projects books and manuals for download, along with some popular platforms that offer these resources. One of the significant advantages of Arduino And Kinect Projects books and manuals for download is the cost-saving aspect. Traditional books and manuals can be costly, especially if you need to purchase several of them for educational or professional purposes. By accessing Arduino And Kinect Projects versions, you eliminate the need to spend money on physical copies. This not only saves you money but also reduces the environmental impact associated with book production and transportation. Furthermore, Arduino And Kinect Projects books and manuals for download are incredibly convenient. With just a computer or smartphone and an internet connection, you can access a vast library of resources on any subject imaginable. Whether you're a student looking for textbooks, a professional seeking industry-specific manuals, or someone interested in self-improvement, these digital resources provide an efficient and accessible means of acquiring knowledge. Moreover, PDF books and manuals offer a range of benefits compared to other digital formats. PDF files are designed to retain their formatting regardless of the device used to open them. This ensures that the content appears exactly as intended by the author, with no loss of formatting or missing graphics. Additionally, PDF files can be easily annotated, bookmarked, and searched for specific terms, making them highly practical for studying or referencing. When it comes to accessing Arduino And Kinect Projects books and manuals, several platforms offer an extensive collection of resources. One such platform is Project Gutenberg, a nonprofit organization that provides over 60,000 free eBooks. These books are primarily in the public domain, meaning they can be freely distributed and downloaded. Project Gutenberg offers a wide range of classic literature, making it an excellent resource for literature enthusiasts. Another popular platform for Arduino And Kinect Projects books and manuals is Open Library. Open Library is an initiative of the Internet Archive, a nonprofit organization dedicated to digitizing cultural artifacts and making them accessible to the public. Open Library hosts millions of books, including both public domain works and contemporary titles. It also allows users to borrow digital copies of

certain books for a limited period, similar to a library lending system. Additionally, many universities and educational institutions have their own digital libraries that provide free access to PDF books and manuals. These libraries often offer academic texts, research papers, and technical manuals, making them invaluable resources for students and researchers. Some notable examples include MIT OpenCourseWare, which offers free access to course materials from the Massachusetts Institute of Technology, and the Digital Public Library of America, which provides a vast collection of digitized books and historical documents. In conclusion, Arduino And Kinect Projects books and manuals for download have transformed the way we access information. They provide a cost-effective and convenient means of acquiring knowledge, offering the ability to access a vast library of resources at our fingertips. With platforms like Project Gutenberg, Open Library, and various digital libraries offered by educational institutions, we have access to an ever-expanding collection of books and manuals. Whether for educational, professional, or personal purposes, these digital resources serve as valuable tools for continuous learning and self-improvement. So why not take advantage of the vast world of Arduino And Kinect Projects books and manuals for download and embark on your journey of knowledge?

FAQs About Arduino And Kinect Projects Books

How do I know which eBook platform is the best for me? Finding the best eBook platform depends on your reading preferences and device compatibility. Research different platforms, read user reviews, and explore their features before making a choice. Are free eBooks of good quality? Yes, many reputable platforms offer high-quality free eBooks, including classics and public domain works. However, make sure to verify the source to ensure the eBook credibility. Can I read eBooks without an eReader? Absolutely! Most eBook platforms offer webbased readers or mobile apps that allow you to read eBooks on your computer, tablet, or smartphone. How do I avoid digital eye strain while reading eBooks? To prevent digital eye strain, take regular breaks, adjust the font size and background color, and ensure proper lighting while reading eBooks. What the advantage of interactive eBooks? Interactive eBooks incorporate multimedia elements, quizzes, and activities, enhancing the reader engagement and providing a more immersive learning experience. Arduino And Kinect Projects is one of the best book in our library for free trial. We provide copy of Arduino And Kinect Projects in digital format, so the resources that you find are reliable. There are also many Ebooks of related with Arduino And Kinect Projects. Where to download Arduino And Kinect Projects online for free? Are you looking for Arduino And Kinect Projects PDF? This is definitely going to save you time and cash in something you should think about. If you trying to find then search around for online. Without a doubt there are numerous these available and many of them have the freedom. However without doubt you receive whatever you purchase. An alternate way to get ideas is always to check another Arduino And Kinect Projects. This

method for see exactly what may be included and adopt these ideas to your book. This site will almost certainly help you save time and effort, money and stress. If you are looking for free books then you really should consider finding to assist you try this. Several of Arduino And Kinect Projects are for sale to free while some are payable. If you arent sure if the books you would like to download works with for usage along with your computer, it is possible to download free trials. The free guides make it easy for someone to free access online library for download books to your device. You can get free download on free trial for lots of books categories. Our library is the biggest of these that have literally hundreds of thousands of different products categories represented. You will also see that there are specific sites catered to different product types or categories, brands or niches related with Arduino And Kinect Projects. So depending on what exactly you are searching, you will be able to choose e books to suit your own need. Need to access completely for Campbell Biology Seventh Edition book? Access Ebook without any digging. And by having access to our ebook online or by storing it on your computer, you have convenient answers with Arduino And Kinect Projects To get started finding Arduino And Kinect Projects, you are right to find our website which has a comprehensive collection of books online. Our library is the biggest of these that have literally hundreds of thousands of different products represented. You will also see that there are specific sites catered to different categories or niches related with Arduino And Kinect Projects So depending on what exactly you are searching, you will be able to choose ebook to suit your own need. Thank you for reading Arduino And Kinect Projects. Maybe you have knowledge that, people have search numerous times for their favorite readings like this Arduino And Kinect Projects, but end up in harmful downloads. Rather than reading a good book with a cup of coffee in the afternoon, instead they juggled with some harmful bugs inside their laptop. Arduino And Kinect Projects is available in our book collection an online access to it is set as public so you can download it instantly. Our digital library spans in multiple locations, allowing you to get the most less latency time to download any of our books like this one. Merely said, Arduino And Kinect Projects is universally compatible with any devices to read.

Find Arduino And Kinect Projects :

just enough research erika hall

juego-glop

[kubernetes up and running ebook epub](#)

**la reina en el palacio de las corrientes de aire the girl who kicked the hornets nest spanish edition millenium
krugman international economics solution**

kisah cinta diantara siti khadijah kisah teladan islamik

kalyani publishers accounting solution questions 2 class

[la meilleur offre iptv canal plus bein ocs canalsat](#)

[la ciudad y los perros mario vargas llosa](#)

korean short stories in hangul with english translation

[la magia de los cuatro elementos scott cunningham inicio](#)

[kertas kerja pertandingan kebersihan dan keceriaan kelas](#)

[keygen for intergraph smartplant 3d 2011 r1 keyfound](#)

[kerala mulakal photos](#)

[lab 1 network device simulation with gns3 napier](#)

Arduino And Kinect Projects :

[sds form nyco - Sep 22 2023](#)

web greases specialty lubricants and additives defence turbine and piston engine oils hydraulic fluids greases other engines gear boxes transmission instrument and weapon oils specialty products and additives ground gas turbines synthetic esters industry automotive formulated products high performance dielectric fluids products

[formulaire fds nyco - May 06 2022](#)

web utilisez ce formulaire pour demander à recevoir nos fiches de données de sécurité merci d indiquer dans le champ de commentaire quelle fds vous souhaitez recevoir votre demande sera transmise au représentant nyco concerné dans les meilleurs délais d autres langues sont disponibles

[nyco grease gn 17 bigcommerce - Jul 20 2023](#)

web safety data sheet according to federal register vol 77 no 58 monday march 26 2012 rules and regulations date of issue 11 27 2014 revision date 06 11 2018 supersedes 04 25 2017 version 2 3 section 1 identification 1 1 identification product form mixture trade name nyco grease gn 17 product code gn17 3 1 2

[safety data sheet - Dec 13 2022](#)

web safety data sheet 1 identification of the substance preparation and of the company undertaking identification of the substance or preparation name nyco grease gn 148 product code gn148 1 company undertaking identification registered company name nyco s a address 66 avenue des champs

nyco grease gn 3058 nyco - Mar 04 2022

web the newest high temperature range grease for longer wheel bearing life description nyco grease gn 3058 is a white lithium complex thickened synthetic grease designed to operate in salty and humid environment in a very wide temperature range going from 54 c to 175 c applications wheels landing gears heavy loaded systems main benefits

greases nyco - Apr 05 2022

web general purpose and wheel bearing grease nyco grease gn 22 g 395 mil prf 81322 g dcsea 395 c calcium petroleum grease russian nyco grease gn 140 g 421 tl 9150 0075 heavy duty multi purpose grease nyco grease gn 142 g 414 dcsea 301 a vehicles armament grease nyco grease gn 145 g 403 mil prf

nyco grease nyco - Feb 03 2022

web nyco grease are multi purpose or special purpose mineral and synthetic greases for extreme applications low and high temperatures high speed and pressure saline corrosive humid environments etc compliant with

nyco grease gn 148 bigcommerce - Aug 21 2023

web safety data sheet according to federal register vol 77 no 58 monday march 26 2012 rules and regulations date of issue 01 20 2015 revision date 04 06 2017 supersedes 11 04 2016 version 2 0 section 1 identification 1 1 identification product form trade name product code mixtures nyco grease gn 148 gn148 1 1 2

nyco grease gn 3058 mil prf 32014a silmid - Oct 11 2022

web download the nyco grease gn 3058 technical data sheet tds and the nyco grease gn 3058 safety data sheet sds from silmid today once you have logged in or signed up select the product size you are interested in and the datasheet will be visible for download if one is available

nyco grease gn 06 bigcommerce - May 18 2023

web safety data sheet according to federal register vol 77 no 58 monday march 26 2012 rules and regulations issue date 11 24 2014 revision date 11 20 2020 supersedes 02 02 2017 version 1 3 section 1 identification 1 1 identification product form trade name mixture nyco grease gn 06 product code gn06 6 1 2

nyco grease gn 05 bigcommerce - Mar 16 2023

web safety data sheet according to federal register vol 77 no 58 monday march 26 2012 rules and regulations issue date 12 22 2014 revision date 3 25 2021 supersedes 4 30 2018 version 2 2 section 1 identification 1 1 identification product form trade name mixture nyco grease gn 05 product code gn05 1 1 2

nyco grease gn 25013 sevron - Nov 12 2022

web trade name nyco grease gn 25013 product code gn25013 4 1 2 relevant identified uses of the substance or mixture and uses advised against 1 2 1 relevant identified uses main use category industrial use use of the substance mixture grease function or use category lubricant 1 2 2 uses advised against no additional information

nyco grease gn 07 bigcommerce - Dec 01 2021

web safety data sheet according to federal register vol 77 no 58 monday march 26 2012 rules and regulations date of issue 11 24 2014 revision date 01 13 2017 version 2 0 section 1 identification 1 1 identification product form trade name product

code mixtures nyco grease gn 07 gn07 1 1 2

nyco grease gn 4343 bigcommerce - Apr 17 2023

web safety data sheet according to federal register vol 77 no 58 monday march 26 2012 rules and regulations date of issue 04 29 2016 version 1 0 section 1 identification of the substance mixture and of the company undertaking 1 1 product identifier product form trade name mixture nyco grease gn 4343 product code gn4343 2

nyco grease gn 148 nyco - Feb 15 2023

web nyco grease gn 148 is a nlgi 2 grade multipurpose aircraft grease based on a blend of synthetic diester oils and synthetic hydrocarbon base stock and thickened with a complex lithium soap it is fortified with anticorrosion antioxidant and strong extreme pressure and anti wear additives

nyco grease gn 07 - Sep 10 2022

web nyco grease gn 07 is a clay thickened nlgi 2 grease based on a highly thermostable polyol ester with a viscosity of 5 cst at 100 c it contains specific high temperature anti oxidants and has strong extreme pressure properties applications nyco grease gn 07 has excellent load carrying stability and is most suitable in anti friction

[safety data sheet](#) - Jan 14 2023

web safety data sheet identification of the substance preparation and of the company undertaking identification of the substance or preparation name nyco grease gn 17 product code gn17 3 company undertaking identification registered company name nyco s a address 49 rue de

nyco grease gn 25013 msds download sevron safety - Jul 08 2022

web msds details product name nyco grease gn 25013 product code gn25013 4 language english regulation ghs clp manufacturer nyco cas numbers 80595 74 0

nyco grease gn 25013 msds download sdsinventory com - Aug 09 2022

web msds details product name nyco grease gn 25013 product code gn25013 4 language english regulation ghs clp manufacturer nyco cas numbers 80584 90 3 80595 74 0

safety data sheets sds nyco cleaners disinfectants floor - Oct 23 2023

web easily search for nyco safety data sheets sds in three different ways scroll through the category list below locate your product by name or number and click on it navigate to your product category with the left navigation

[safety data sheet petron corporation](#) - Jun 19 2023

web safety data sheet 1 identification of the substance preparation and of the company undertaking identification of the substance or preparation name nyco grease gn 22 product code gn22 4 company undertaking identification registered company name nyco s a address 66 avenue des champs

nyco grease gn 10 bigcommerce - Jan 02 2022

web safety data sheet according to federal register vol 77 no 58 monday march 26 2012 rules and regulations date of issue 11 27 2014 revision date 02 23 2017 supersedes 07 08 2016 version 2 1 section 1 identification 1 1 identification product form trade name product code mixtures nyco grease gn 10 gn10 3 1 2

technical data sheet nyco grease gn 148 - Jun 07 2022

web nyco grease gn 148 is a nlg 2 grade grease based on a blend of synthetic diester oils and synthetic hydrocarbon basestock and thickened with a complex lithium soap nyco grease gn 148 exhibits outstanding anti rust properties even in the presence of salty water and a very high lubrication capability under extreme loads

methode volume 2 etudes progressives b tp 00 - Aug 21 2023

web methode volume 2 etudes progressives b tp 00 methodes sellner joseph on amazon com au free shipping on eligible orders methode volume 2 etudes progressives b tp 00 methodes

progressive versus traditional methods of education - Apr 05 2022

web may 12 2007 in a progressive educational environment each child is honored and celebrated and the teacher learner relationship is considered to be extremely important progressive education is characterized by a whole child orientation cognitive social and emotional development of each student are considered the key to students educational

download free methode volume 2 etudes progressives - Nov 12 2022

web methode volume 2 etudes progressives etudes de theologie de philosophie et d histoire volume 2 primary source edition oct 18 2020 this is a reproduction of a book published before 1923 this book may have occasional imperfections such as missing or blurred pages poor pictures errant marks etc that were either part of the original

methodevolume2etudesprogressives 2022 wikimid2 aapg - Aug 09 2022

web methodevolume2etudesprogressives 1 methodevolume2etudesprogressives methodevolume2etudesprogressives downloaded from wikimid2 aapg org by guest pitts hernandez

methodevolume2etudesprogressives pdf old arianavara - Jul 08 2022

web 40 melodic and progressive etudes op 31 alfred music these editions contain the finest compositions of master and contemporary composers each selected to improve technique and musicianship volume i contains 114 compositions mostly short in length all at the intermediate level volume ii of this

progressive guitar method book 2 intermediate - Mar 04 2022

web progressive guitar method book 2 picks up from where book 1 ends and contains all you need to know to continue learning to be a great guitar player in one easy to follow lesson by lesson guitar tutorial suitable for all ages and all types of guitars including acoustic guitar and electric guitar basic knowledge of

[amazon com joseph sellner books](#) - May 18 2023

web methode volume 1 etudes elementaires paperback methode volume 2 etudes progressives french edition by sellner joseph jan 1 2000 4 5 out of 5 stars 20 paperback 66 65 66 65 free delivery oct 23 27 only 1 left in stock order soon more buying choices 23 05 7 used new offers méthode pour hautbois

pure progressive vol 2 forerunners black hole recordings - May 06 2022

web jul 29 2022 by magic al electronic architecture 4 deconstructed by solarstone pure progressive vol 2 by forerunners released 29 july 2022 1 our miracles mixed 2 communicator mixed 3 night symmetry mixed 4 nugen deliverance forerunners remix redux mixed 5 dreams for you mixed 6

methode volume 2 etudes progressives pdf - Jun 19 2023

web methode volume 2 etudes progressives is additionally useful you have remained in right site to start getting this info acquire the methode volume 2 etudes progressives belong to that we provide here and check out the link you could buy lead methode volume 2 etudes progressives or get it as soon as feasible you

methodevolume2etudesprogressives pdf dev sfcg - Sep 10 2022

web 6 grandes etudes a must for all serious flautists also available melodious and progressive studies book 1 hl00970024 contains a wealth of famous studies by such composers as andersen gariboldi kohler and terschak melodious and progressive studies book 2 hl00970025 is a continuation of book 1 and also includes etudes by

methode volume 2 etudes progressives pdf 2023 black ortax - Oct 23 2023

web introduction methode volume 2 etudes progressives pdf 2023 from additive manufacturing to 3d 4d printing 2 jean claude andré 2017 10 30 additive manufacturing which was first invented in france and then applied in the united states is now 33 years old and represents a market of around 5 billion euros per year with annual growth of

methode volume 2 etudes progressives - Mar 16 2023

web select the department you want to search in

[methode volume 2 études progressives by sellner joseph](#) - Dec 13 2022

web methode volume 2 etudes progressives b tp 00 methodes méthode pour hautbois ou saxophone etudes progressives hutchins amp rea sheet music catalog titles methode a retrospective vol 11 every violinist s guide similaires au methode volume 2 etudes progressive pour hautbois ou saxophone méthode plète de hautbois volume 3 pour oboe

[sheet music methode vol 2 etudes progressives oboe](#) - Sep 22 2023

web 32 99 2e partie etudes progressives by johan peter sellner arranged by albert debondue for oboe or saxophone published by billaudot

[sheet music 30 etudes progressives op 26 vol 2 satb](#) - Feb 15 2023

web 22 30 etude méthode exercice tout est bon pour apprendre et perfectionner son apprentissage musical a travers cette partition pour grande harpe etudes vous pourrez découvrir une des oeuvres de concone l en l occurrence 30 etudes

progressives opus 26 volume 2 qui a été éditée par la maison d édition billaudot

[methode volume 2 etudes progressives amazon com](#) - Jul 20 2023

web jan 1 2000 methode volume 2 etudes progressives sellner joseph on amazon com free shipping on qualifying offers

methode volume 2 etudes progressives

[sheet music méthode vol 2 etudes progressives oboe](#) - Apr 17 2023

web 21 01 par sellner joseph niveau débutant à intermédiaire méthode hautbois

[amazon in customer reviews methode volume 2 études progressives](#) - Jan 14 2023

web find helpful customer reviews and review ratings for methode volume 2 études progressives at amazon com read honest and unbiased product reviews from our users

[methode volume 2 etudes progressives usa tgifridays com](#) - Jun 07 2022

web methode volume 2 etudes progressives oboe method complete apollon marie rose barret 2001 the first in a series of three new kalmus publications by a m r barret the complete oboe method long a standard text for oboists will ensure ease of play for advancing oboists copyright libri gmbh all rights reserved

[methode volume 2 etudes progressives pdf full pdf devy ortax](#) - Oct 11 2022

web bradford werner 2019 01 15 the volume 2 hardcopy edition of the popular method book series from thisisclassicalguitar com and wernerguitareditions com this book teaches classical and fingerstyle guitar skills with a focus on reading tonal music

liste des guerres de l arménie wikipédia - May 20 2022

web cette liste regroupe les guerres et conflits ayant vu la participation de l arménie voici une légende facilitant la lecture de l issue des guerres ci dessous victoire arménienne

[les amiras seigneurs de l arma c nie ottomane uniport edu](#) - Nov 13 2021

web oct 15 2023 getting the books les amiras seigneurs de l arma c nie ottomane now is not type of challenging means you could not deserted going later than ebook buildup or

les amiras seigneurs de l arma c nie ottomane uniport edu - Aug 23 2022

web merely said the les amiras seigneurs de l arma c nie ottomane is universally compatible with any devices to read ptie les antiquitez gauloises et françoises livré 6 12 origines

[les amiras seigneurs de l arma c nie ottomane pdf](#) - Oct 25 2022

web les amiras seigneurs de l arma c nie ottomane who s who in france 2008 open wounds bibliotheque imperiale

departement des manuscrits catalogue des

les amiras seigneurs de l arma c nie ottomane michael - Aug 03 2023

web it is your enormously own epoch to show reviewing habit along with guides you could enjoy now is les amiras seigneurs de l arma c nie ottomane below christian muslim

arméniens dans l empire ottoman vikidia l encyclopédie des 8 - Jul 22 2022

web avant la première guerre mondiale les arméniens vivant dans l empire ottoman étaient surtout nombreux mais non majoritaires dans l est de l anatolie malgré des sources

les amiras seigneurs de l arma c nie ottomane 2023 - Oct 05 2023

web les amiras seigneurs de l arma c nie ottomane avedick séquestré par louis xiv au mont saint michel revue de l orient latin les oeuvres de feu m claude fauchet

les amiras seigneurs de l arménie ottomane by pascal - Jun 01 2023

web may 17 2023 cinquante ans les amiras ont ainsi exercé leur extraordinaire pouvoir à l ombre des sultans leur frappant la monnaie leur bâtissant palais et mosquées

amira ottoman empire wikipedia - Mar 30 2023

web in the ottoman empire amira was a small group of elite wealthy ottoman armenians living in urban centers references this page was last edited on 3 august 2023 at 23 38

free pdf download les amiras seigneurs de l arma c nie - Apr 30 2023

web les amiras seigneurs de l arma c nie ottomane a new law dictionary and glossary containing full definitions of the principal terms of the common and civil law together with

les amiras seigneurs de l arma c nie ottomane pdf - Feb 14 2022

web statement les amiras seigneurs de l arma c nie ottomane as with ease as evaluation them wherever you are now les amiras seigneurs de l arma c nie ottomane

download solutions les amiras seigneurs de l arma c nie - Apr 18 2022

web les amiras seigneurs de l arma c nie ottomane the architects of ottoman constantinople apr 09 2023 the balyan family were a dynasty of architects builders

histoire des arméniens dans l empire ottoman wikipédia - Jun 20 2022

web l histoire des arméniens dans l empire ottoman débute sous le règne de sélim ii 28 mai 1524 12 décembre 1574 et se termine à la disparition de l empire ottoman en 1923

download solutions les amiras seigneurs de l arma c nie - Jul 02 2023

web les amiras seigneurs de l arma c nie ottomane revue de gascogne sep 22 2022 collection of the early voyages travels and

discoveries of the english nation jul 29

[les amiras seigneurs de l arma c nie ottomane yale skysafe](#) - Sep 04 2023

web les oeuvres de fev m claude fauchet les amiras seigneurs de l arma c nie ottomane downloaded from yale skysafe io by guest villarreal stephany the

downloadable free pdfs les amiras seigneurs de l arma c - Sep 23 2022

web yeah reviewing a books les amiras seigneurs de l arma c nie ottomane could mount up your close connections listings this is just one of the solutions for you to be

[les amiras seigneurs de l arménie ottomane by pascal](#) - Dec 15 2021

web may 6 2023 de l arménie ottomane pascal carmont se pose d emblée en aiguiser des sens et de la mémoire voici un témoignage pour réouvrir l avenir et recouvrer l espoir

[les amiras seigneurs de l arma c nie ottomane pdf](#) - Feb 26 2023

web jun 20 2023 now is les amiras seigneurs de l arma c nie ottomane below ptie les antiquitez gauloises et françoises livré 6 12 origines des dignitez et magistrats de

[les amiras seigneurs de l arma c nie ottomane s r](#) - Dec 27 2022

web les amiras seigneurs de l arma c nie ottomane recognizing the pretension ways to get this ebook les amiras seigneurs de l arma c nie ottomane is additionally

liste d amiraux de l empire ottoman wikipédia - Nov 25 2022

web liste d amiraux de l empire ottoman ces amiraux de l empire ottoman furent de hauts officiers de la marine ottomane 1 le turc ottoman sàpan reis ou reis pacha autres

les amiras seigneurs de l arma c nie ottomane uniport edu - Jan 16 2022

web oct 15 2023 les amiras seigneurs de l arma c nie ottomane 2 6 downloaded from uniport edu ng on october 15 2023 by guest unimaginable details of the horrors he

free les amiras seigneurs de l arma c nie ottomane - Mar 18 2022

web les amiras seigneurs de l arma c nie ottomane critical approaches to genocide apr 14 2023 the study of genocide has been appropriate in emphasizing the centrality of the

les amiras seigneurs de l arménie ottomane by pascal carmont - Jan 28 2023

web chroniqueur de la gloire passée des seigneurs de l arménie ottomane pascal carmont se pose d emblée en aiguiser des sens et de la mémoire voici un témoignage pour