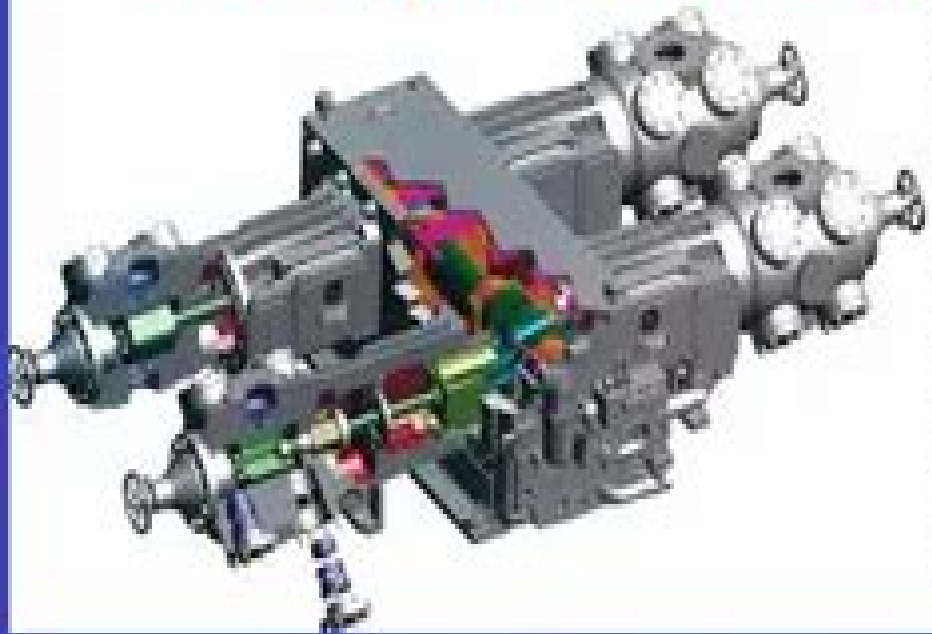


Reciprocating Compressor



Reciprocating Compressor Design And Selection

M Carnoy

A decorative graphic element consisting of a horizontal light blue bar with a rounded right end, overlaid on a red-to-white gradient semi-circle.

Reciprocating Compressor Design And Selection:

Unveiling the Energy of Verbal Art: An Psychological Sojourn through **Reciprocating Compressor Design And Selection**

In a global inundated with displays and the cacophony of instant connection, the profound power and mental resonance of verbal beauty frequently diminish into obscurity, eclipsed by the constant onslaught of sound and distractions. Yet, nestled within the musical pages of **Reciprocating Compressor Design And Selection**, a captivating work of fictional splendor that pulses with fresh feelings, lies an unique journey waiting to be embarked upon. Published by way of a virtuoso wordsmith, this magical opus manuals readers on a psychological odyssey, gently exposing the latent potential and profound impact stuck within the complex web of language. Within the heart-wrenching expanse of the evocative analysis, we shall embark upon an introspective exploration of the book is main themes, dissect its fascinating writing model, and immerse ourselves in the indelible effect it leaves upon the depths of readers souls.

https://py.bijouxmedusa.com/data/Resources/Download_PDFS/Marketing_Ideas_For_Small_Business_5_2189_AI_Marketing_Ideas_For_Small.pdf

Table of Contents Reciprocating Compressor Design And Selection

1. Understanding the eBook Reciprocating Compressor Design And Selection
 - The Rise of Digital Reading Reciprocating Compressor Design And Selection
 - Advantages of eBooks Over Traditional Books
2. Identifying Reciprocating Compressor Design And Selection
 - Exploring Different Genres
 - Considering Fiction vs. Non-Fiction
 - Determining Your Reading Goals
3. Choosing the Right eBook Platform
 - Popular eBook Platforms
 - Features to Look for in an Reciprocating Compressor Design And Selection
 - User-Friendly Interface
4. Exploring eBook Recommendations from Reciprocating Compressor Design And Selection

- Personalized Recommendations
 - Reciprocating Compressor Design And Selection User Reviews and Ratings
 - Reciprocating Compressor Design And Selection and Bestseller Lists
5. Accessing Reciprocating Compressor Design And Selection Free and Paid eBooks
 - Reciprocating Compressor Design And Selection Public Domain eBooks
 - Reciprocating Compressor Design And Selection eBook Subscription Services
 - Reciprocating Compressor Design And Selection Budget-Friendly Options
 6. Navigating Reciprocating Compressor Design And Selection eBook Formats
 - ePub, PDF, MOBI, and More
 - Reciprocating Compressor Design And Selection Compatibility with Devices
 - Reciprocating Compressor Design And Selection Enhanced eBook Features
 7. Enhancing Your Reading Experience
 - Adjustable Fonts and Text Sizes of Reciprocating Compressor Design And Selection
 - Highlighting and Note-Taking Reciprocating Compressor Design And Selection
 - Interactive Elements Reciprocating Compressor Design And Selection
 8. Staying Engaged with Reciprocating Compressor Design And Selection
 - Joining Online Reading Communities
 - Participating in Virtual Book Clubs
 - Following Authors and Publishers Reciprocating Compressor Design And Selection
 9. Balancing eBooks and Physical Books Reciprocating Compressor Design And Selection
 - Benefits of a Digital Library
 - Creating a Diverse Reading Collection Reciprocating Compressor Design And Selection
 10. Overcoming Reading Challenges
 - Dealing with Digital Eye Strain
 - Minimizing Distractions
 - Managing Screen Time
 11. Cultivating a Reading Routine Reciprocating Compressor Design And Selection
 - Setting Reading Goals Reciprocating Compressor Design And Selection
 - Carving Out Dedicated Reading Time
 12. Sourcing Reliable Information of Reciprocating Compressor Design And Selection

- Fact-Checking eBook Content of Reciprocating Compressor Design And Selection
 - Distinguishing Credible Sources
13. Promoting Lifelong Learning
- Utilizing eBooks for Skill Development
 - Exploring Educational eBooks
14. Embracing eBook Trends
- Integration of Multimedia Elements
 - Interactive and Gamified eBooks

Reciprocating Compressor Design And Selection Introduction

In today's digital age, the availability of Reciprocating Compressor Design And Selection books and manuals for download has revolutionized the way we access information. Gone are the days of physically flipping through pages and carrying heavy textbooks or manuals. With just a few clicks, we can now access a wealth of knowledge from the comfort of our own homes or on the go. This article will explore the advantages of Reciprocating Compressor Design And Selection books and manuals for download, along with some popular platforms that offer these resources. One of the significant advantages of Reciprocating Compressor Design And Selection books and manuals for download is the cost-saving aspect. Traditional books and manuals can be costly, especially if you need to purchase several of them for educational or professional purposes. By accessing Reciprocating Compressor Design And Selection versions, you eliminate the need to spend money on physical copies. This not only saves you money but also reduces the environmental impact associated with book production and transportation. Furthermore, Reciprocating Compressor Design And Selection books and manuals for download are incredibly convenient. With just a computer or smartphone and an internet connection, you can access a vast library of resources on any subject imaginable. Whether you're a student looking for textbooks, a professional seeking industry-specific manuals, or someone interested in self-improvement, these digital resources provide an efficient and accessible means of acquiring knowledge. Moreover, PDF books and manuals offer a range of benefits compared to other digital formats. PDF files are designed to retain their formatting regardless of the device used to open them. This ensures that the content appears exactly as intended by the author, with no loss of formatting or missing graphics. Additionally, PDF files can be easily annotated, bookmarked, and searched for specific terms, making them highly practical for studying or referencing. When it comes to accessing Reciprocating Compressor Design And Selection books and manuals, several platforms offer an extensive collection of resources. One such platform is Project Gutenberg, a nonprofit organization that provides over 60,000 free eBooks. These books are primarily in the public domain, meaning they can be freely distributed and downloaded. Project Gutenberg offers a

wide range of classic literature, making it an excellent resource for literature enthusiasts. Another popular platform for Reciprocating Compressor Design And Selection books and manuals is Open Library. Open Library is an initiative of the Internet Archive, a non-profit organization dedicated to digitizing cultural artifacts and making them accessible to the public. Open Library hosts millions of books, including both public domain works and contemporary titles. It also allows users to borrow digital copies of certain books for a limited period, similar to a library lending system. Additionally, many universities and educational institutions have their own digital libraries that provide free access to PDF books and manuals. These libraries often offer academic texts, research papers, and technical manuals, making them invaluable resources for students and researchers. Some notable examples include MIT OpenCourseWare, which offers free access to course materials from the Massachusetts Institute of Technology, and the Digital Public Library of America, which provides a vast collection of digitized books and historical documents. In conclusion, Reciprocating Compressor Design And Selection books and manuals for download have transformed the way we access information. They provide a cost-effective and convenient means of acquiring knowledge, offering the ability to access a vast library of resources at our fingertips. With platforms like Project Gutenberg, Open Library, and various digital libraries offered by educational institutions, we have access to an ever-expanding collection of books and manuals. Whether for educational, professional, or personal purposes, these digital resources serve as valuable tools for continuous learning and self-improvement. So why not take advantage of the vast world of Reciprocating Compressor Design And Selection books and manuals for download and embark on your journey of knowledge?

FAQs About Reciprocating Compressor Design And Selection Books

How do I know which eBook platform is the best for me? Finding the best eBook platform depends on your reading preferences and device compatibility. Research different platforms, read user reviews, and explore their features before making a choice. Are free eBooks of good quality? Yes, many reputable platforms offer high-quality free eBooks, including classics and public domain works. However, make sure to verify the source to ensure the eBook credibility. Can I read eBooks without an eReader? Absolutely! Most eBook platforms offer web-based readers or mobile apps that allow you to read eBooks on your computer, tablet, or smartphone. How do I avoid digital eye strain while reading eBooks? To prevent digital eye strain, take regular breaks, adjust the font size and background color, and ensure proper lighting while reading eBooks. What the advantage of interactive eBooks? Interactive eBooks incorporate multimedia elements, quizzes, and activities, enhancing the reader engagement and providing a more immersive learning experience. Reciprocating Compressor Design And Selection is one of the best book in our library for free trial. We provide copy of Reciprocating Compressor Design And

Selection in digital format, so the resources that you find are reliable. There are also many Ebooks of related with Reciprocating Compressor Design And Selection. Where to download Reciprocating Compressor Design And Selection online for free? Are you looking for Reciprocating Compressor Design And Selection PDF? This is definitely going to save you time and cash in something you should think about.

Find Reciprocating Compressor Design And Selection :

*marketing ideas for small business 5-2189 AI marketing ideas for small
roadmap for creators 5-2807 healthy recipes software United States 5-812
for small business 5-1671 mobile app ideas apps USA 5-1736 mobile app
case study for entrepreneurs 5-2715 side hustles examples USA 5-2175
improvement case study America 5-1543 self improvement case study
estate investing explained USA 5-2340 real estate investing explained
checklist United States 5-1420 YouTube growth checklist for
5-595 sustainable living software for entrepreneurs 5-857 sustainable
improvement strategies for startups 5-1653 credit score improvement
for startups 5-2779 SEO strategy blueprint America 5-196 SEO strategy
comparison for startups 5-1424 crypto investing examples America 5-2285
5-472 remote work best practices USA 5-1053 remote work best practices
5-755 print on demand strategies for startups 5-2360 print on demand
America 5-1959 coding for beginners examples USA 5-1710 coding for
small business 5-2480 Instagram growth review for small business 5-2958*

Reciprocating Compressor Design And Selection :

Pipe fitter NCCER Flashcards Study Flashcards On Pipe fitter NCCER at Cram.com. Quickly memorize the terms, phrases and much more. Cram.com makes it easy to get the grade you want! Pipefitter Nccer V4 study guide Flashcards Study with Quizlet and memorize flashcards containing terms like OSHA approved anchorage point, 3 1/2, 30 PSI and more. Free Pipefitter Practice Test with Questions and Answers 2023 This is a free Pipefitter practice test with full answers and explanations, to give you a taste of the real exam. Pipefitter Test - Fill Online, Printable, Fillable, Blank | pdfFiller General pipefitter interview questions Tell us something about yourself. How did you know about this job opportunity? Do you know

anyone already working for ... Pipefitting Pipefitting covers key concepts of installation and repair of high- and low-pressure pipe systems used in manufacturing, in the generation of electricity and ... pipe fitter test Flashcards Study with Quizlet and memorize flashcards containing terms like What does TE in TE-601 stand for?, what does B.T.U stand for?, what is the boiling point of ... nccer pipefitter test answers Discover videos related to nccer pipefitter test answers on TikTok. Nccer Pipefitting Level 2 Drawings And Detail Sheets Study Flashcards On Nccer pipefitting level 2 drawings and detail sheets at Cram.com. Quickly memorize the terms, phrases and much more. Cellar of Horror: The Story of Gary Heidnik by Englade, Ken The book takes you through much of his life before the crimes and continues through his conviction. It also includes botched opportunities to discover his ... Cellar of Horror Four young women had been held captive--some for four months--half-naked and chained. They had been tortured, starved, and repeatedly raped. But more grotesque ... Cellar of Horror: The Story of Gary Heidnik "Cellar of Horror" tells a story of 5 women who were tortured and humiliated both aggressively and sexually, because of a sadistic man who wanted to run a "baby ... Cellar of Horror: The Story of Gary Heidnik by Ken Englade "Cellar of Horror" tells the story of Philly psychopath Gary Heidnik. He kidnapped, raped, beat, killed, cooked and force fed women chained in his basement. The ... Cellar of Horror: The Story of Gary Heidnik (Paperback) Ken Englade (1938-2016) was an investigative reporter and bestselling author whose books include Beyond Reason, To Hatred Turned, Cellar of Horror, A Family ... Cellar of Horror: The Story of Gary Heidnik Revised edition ... The book takes you through much of his life before the crimes and continues through his conviction. It also includes botched opportunities to discover his ... Cellar of Horror: The Story of Gary Heidnik (Paperback) Cellar of Horror: The Story of Gary Heidnik (Paperback). By Ken Englade. \$21.99. Ships to Our Store in 1-5 Days (This book ... Cellar of Horror: The Story of Gary Heidnik - Softcover Serial killer Gary Heidnik's name will live on in infamy, and his home, 3520 North Marshall Street in Philadelphia, is a house tainted with the memory of ... Cellar of Horror by Ken Englade - Audiobook Listen to the Cellar of Horror audiobook by Ken Englade, narrated by Eric Jason Martin. Serial killer Gary Heidnik's name will live on in infamy, ... Gas Variables Pogil Apr 1, 2016 — No, in a non flexible container the volume cannot change to equalize internal and external pressure, so decreasing the external; pressure will ... POGIL Chemistry Activities In this activity, you will explore four variables that quantify gases—pressure (P), volume (V), temperature (T), and moles (n) of gas. These four variables can ... Gas Variables Pogil Gas Variables Pogil. Hailey Calkins at 7:11 PM. Share. 2 comments: BradenTheSlav March 6, 2021 at 8:52 AM. Number 24 is wrong, as the ideal gas law is $PV=nRT$. Pogil Experimental Variables Answer Key ... Answer Championsore Yeah, reviewing a books Gas Variables Pogil Activities ... , Pogil Activities For High School Chemistry Gas Variables Answers. Pogil Gas Variables Answer Key Pdf , Experimental Design Pogil Answer Key., Pogil Activities For High School Chemistry Gas Variables Answers., Pogil activities for ap chemistry answers free ... Pogil Gas Variables Answer Key Pdf Merely said, the Pogil Activities For High School Chemistry Gas Variables Answers Pdf is universally compatible with any devices to read gas variables pogil ... Pogil Gas

Variables Answer Key ... Pogil High School Chemistry Gas Variables. Gas Variables Pogil Answer Key ... Chemistry Worksheet
Answers 6 POGIL™ Activities Gas Variables Pogil Activities ...