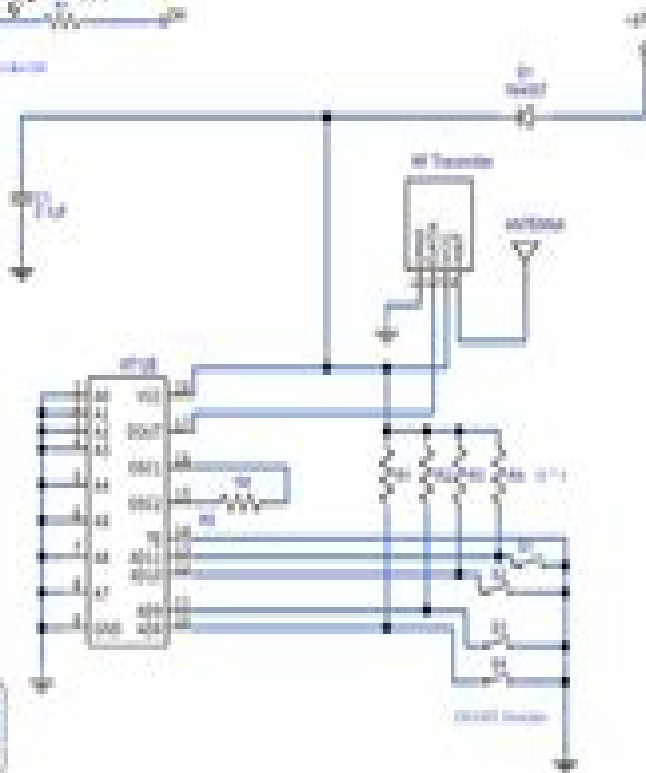


RF Remote Control Circuit



Remote Control Circuit Through Rf Without Microcontroller

N Colangelo



Remote Control Circuit Through Rf Without Microcontroller:

If you ally infatuation such a referred **Remote Control Circuit Through Rf Without Microcontroller** book that will give you worth, acquire the agreed best seller from us currently from several preferred authors. If you desire to comical books, lots of novels, tale, jokes, and more fictions collections are after that launched, from best seller to one of the most current released.

You may not be perplexed to enjoy all book collections Remote Control Circuit Through Rf Without Microcontroller that we will no question offer. It is not going on for the costs. Its approximately what you obsession currently. This Remote Control Circuit Through Rf Without Microcontroller, as one of the most operating sellers here will unconditionally be accompanied by the best options to review.

<https://py.bijouxmedusa.com/About/book-search/fetch.php/Tata%20Cara%20Shalat%20Istikharah%20Mohon%20Petunjuk%20Jodoh%20Yang.pdf>

Table of Contents Remote Control Circuit Through Rf Without Microcontroller

1. Understanding the eBook Remote Control Circuit Through Rf Without Microcontroller
 - The Rise of Digital Reading Remote Control Circuit Through Rf Without Microcontroller
 - Advantages of eBooks Over Traditional Books
2. Identifying Remote Control Circuit Through Rf Without Microcontroller
 - Exploring Different Genres
 - Considering Fiction vs. Non-Fiction
 - Determining Your Reading Goals
3. Choosing the Right eBook Platform
 - Popular eBook Platforms
 - Features to Look for in an Remote Control Circuit Through Rf Without Microcontroller
 - User-Friendly Interface
4. Exploring eBook Recommendations from Remote Control Circuit Through Rf Without Microcontroller
 - Personalized Recommendations

- Remote Control Circuit Through Rf Without Microcontroller User Reviews and Ratings
- Remote Control Circuit Through Rf Without Microcontroller and Bestseller Lists
- 5. Accessing Remote Control Circuit Through Rf Without Microcontroller Free and Paid eBooks
 - Remote Control Circuit Through Rf Without Microcontroller Public Domain eBooks
 - Remote Control Circuit Through Rf Without Microcontroller eBook Subscription Services
 - Remote Control Circuit Through Rf Without Microcontroller Budget-Friendly Options
- 6. Navigating Remote Control Circuit Through Rf Without Microcontroller eBook Formats
 - ePub, PDF, MOBI, and More
 - Remote Control Circuit Through Rf Without Microcontroller Compatibility with Devices
 - Remote Control Circuit Through Rf Without Microcontroller Enhanced eBook Features
- 7. Enhancing Your Reading Experience
 - Adjustable Fonts and Text Sizes of Remote Control Circuit Through Rf Without Microcontroller
 - Highlighting and Note-Taking Remote Control Circuit Through Rf Without Microcontroller
 - Interactive Elements Remote Control Circuit Through Rf Without Microcontroller
- 8. Staying Engaged with Remote Control Circuit Through Rf Without Microcontroller
 - Joining Online Reading Communities
 - Participating in Virtual Book Clubs
 - Following Authors and Publishers Remote Control Circuit Through Rf Without Microcontroller
- 9. Balancing eBooks and Physical Books Remote Control Circuit Through Rf Without Microcontroller
 - Benefits of a Digital Library
 - Creating a Diverse Reading Collection Remote Control Circuit Through Rf Without Microcontroller
- 10. Overcoming Reading Challenges
 - Dealing with Digital Eye Strain
 - Minimizing Distractions
 - Managing Screen Time
- 11. Cultivating a Reading Routine Remote Control Circuit Through Rf Without Microcontroller
 - Setting Reading Goals Remote Control Circuit Through Rf Without Microcontroller
 - Carving Out Dedicated Reading Time
- 12. Sourcing Reliable Information of Remote Control Circuit Through Rf Without Microcontroller
 - Fact-Checking eBook Content of Remote Control Circuit Through Rf Without Microcontroller

- Distinguishing Credible Sources
- 13. Promoting Lifelong Learning
 - Utilizing eBooks for Skill Development
 - Exploring Educational eBooks
- 14. Embracing eBook Trends
 - Integration of Multimedia Elements
 - Interactive and Gamified eBooks

Remote Control Circuit Through Rf Without Microcontroller Introduction

In the digital age, access to information has become easier than ever before. The ability to download Remote Control Circuit Through Rf Without Microcontroller has revolutionized the way we consume written content. Whether you are a student looking for course material, an avid reader searching for your next favorite book, or a professional seeking research papers, the option to download Remote Control Circuit Through Rf Without Microcontroller has opened up a world of possibilities. Downloading Remote Control Circuit Through Rf Without Microcontroller provides numerous advantages over physical copies of books and documents. Firstly, it is incredibly convenient. Gone are the days of carrying around heavy textbooks or bulky folders filled with papers. With the click of a button, you can gain immediate access to valuable resources on any device. This convenience allows for efficient studying, researching, and reading on the go. Moreover, the cost-effective nature of downloading Remote Control Circuit Through Rf Without Microcontroller has democratized knowledge. Traditional books and academic journals can be expensive, making it difficult for individuals with limited financial resources to access information. By offering free PDF downloads, publishers and authors are enabling a wider audience to benefit from their work. This inclusivity promotes equal opportunities for learning and personal growth. There are numerous websites and platforms where individuals can download Remote Control Circuit Through Rf Without Microcontroller. These websites range from academic databases offering research papers and journals to online libraries with an expansive collection of books from various genres. Many authors and publishers also upload their work to specific websites, granting readers access to their content without any charge. These platforms not only provide access to existing literature but also serve as an excellent platform for undiscovered authors to share their work with the world. However, it is essential to be cautious while downloading Remote Control Circuit Through Rf Without Microcontroller. Some websites may offer pirated or illegally obtained copies of copyrighted material. Engaging in such activities not only violates copyright laws but also undermines the efforts of authors, publishers, and researchers. To ensure ethical downloading, it is advisable to utilize reputable websites that prioritize the legal distribution of content. When downloading Remote Control Circuit Through Rf Without

Microcontroller, users should also consider the potential security risks associated with online platforms. Malicious actors may exploit vulnerabilities in unprotected websites to distribute malware or steal personal information. To protect themselves, individuals should ensure their devices have reliable antivirus software installed and validate the legitimacy of the websites they are downloading from. In conclusion, the ability to download Remote Control Circuit Through Rf Without Microcontroller has transformed the way we access information. With the convenience, cost-effectiveness, and accessibility it offers, free PDF downloads have become a popular choice for students, researchers, and book lovers worldwide. However, it is crucial to engage in ethical downloading practices and prioritize personal security when utilizing online platforms. By doing so, individuals can make the most of the vast array of free PDF resources available and embark on a journey of continuous learning and intellectual growth.

FAQs About Remote Control Circuit Through Rf Without Microcontroller Books

1. Where can I buy Remote Control Circuit Through Rf Without Microcontroller books? Bookstores: Physical bookstores like Barnes & Noble, Waterstones, and independent local stores. Online Retailers: Amazon, Book Depository, and various online bookstores offer a wide range of books in physical and digital formats.
2. What are the different book formats available? Hardcover: Sturdy and durable, usually more expensive. Paperback: Cheaper, lighter, and more portable than hardcovers. E-books: Digital books available for e-readers like Kindle or software like Apple Books, Kindle, and Google Play Books.
3. How do I choose a Remote Control Circuit Through Rf Without Microcontroller book to read? Genres: Consider the genre you enjoy (fiction, non-fiction, mystery, sci-fi, etc.). Recommendations: Ask friends, join book clubs, or explore online reviews and recommendations. Author: If you like a particular author, you might enjoy more of their work.
4. How do I take care of Remote Control Circuit Through Rf Without Microcontroller books? Storage: Keep them away from direct sunlight and in a dry environment. Handling: Avoid folding pages, use bookmarks, and handle them with clean hands. Cleaning: Gently dust the covers and pages occasionally.
5. Can I borrow books without buying them? Public Libraries: Local libraries offer a wide range of books for borrowing. Book Swaps: Community book exchanges or online platforms where people exchange books.
6. How can I track my reading progress or manage my book collection? Book Tracking Apps: Goodreads, LibraryThing, and Book Catalogue are popular apps for tracking your reading progress and managing book collections. Spreadsheets: You can create your own spreadsheet to track books read, ratings, and other details.

7. What are Remote Control Circuit Through Rf Without Microcontroller audiobooks, and where can I find them?
Audiobooks: Audio recordings of books, perfect for listening while commuting or multitasking. Platforms: Audible, LibriVox, and Google Play Books offer a wide selection of audiobooks.
8. How do I support authors or the book industry? Buy Books: Purchase books from authors or independent bookstores. Reviews: Leave reviews on platforms like Goodreads or Amazon. Promotion: Share your favorite books on social media or recommend them to friends.
9. Are there book clubs or reading communities I can join? Local Clubs: Check for local book clubs in libraries or community centers. Online Communities: Platforms like Goodreads have virtual book clubs and discussion groups.
10. Can I read Remote Control Circuit Through Rf Without Microcontroller books for free? Public Domain Books: Many classic books are available for free as they're in the public domain. Free E-books: Some websites offer free e-books legally, like Project Gutenberg or Open Library.

Find Remote Control Circuit Through Rf Without Microcontroller :

~~tata cara shalat istikharah mohon petunjuk jodoh yang~~

~~system simulation geoffrey gordon solution~~

~~tensorflow for machine intelligence a hands on introduction to learning algorithms~~

~~textbook of disorders and injuries of the musculoskeletal system an introduction to orthopaedics rheumatology metabolic~~

~~bone disease rehabilitation and fractures~~

that which destroys me kimber s dawn

~~textbook of pediatric dentistry 2nd edition~~

table of contents brovind

~~team role theory in higher education belbin~~

~~test economia aziendale classe terza~~

~~textbook of pharmaceutical analysis by ravi shankar~~

tamil kama stories

the assassin game

systems analysis and design test bank

temi seconda prova esame di stato architettura aversa

~~system programming with c and unix solution by adam hoover~~

Remote Control Circuit Through Rf Without Microcontroller :

the essex serpent review claire danes the disrupter - Mar 08 2023

web may 13 2022 like her character in homeland claire danes s cora in the essex serpent is charming a little narcissistic and always the smartest person in the room dean rogers apple tv by mike hale may

the essex serpent the real myths folklore and heroines inspired - Apr 09 2023

web may 17 2022 the essex serpent follows cora as her science comes in conflict with the religious and superstitious beliefs of the locals in the essex village of aldwinter apple the essex serpent the

the essex serpent review claire danes is magnificent unlike - Jul 12 2023

web may 13 2022 at the tail end of the victorian era and recently liberated by her wealthy abusive husband s death from cancer young widow cora seaborne claire danes abandons london society and moves to

the essex serpent tv series wikipedia - Sep 14 2023

web the essex serpent tv series cast and characters in essex a young woman wades into marshy water asking for forgiveness she tells her young sister production when the essex serpent was announced in august 2020 keira knightley was set to play the leading role of references the guardian

the essex serpent tv mini series 2022 episode list imdb - Jan 06 2023

web 1 top rated s1 e1 the blackwater fri may 13 2022 london widow cora seaborne relocates to essex to learn the truth about a rumored sea dragon when a local girl goes missing fears escalate 7 0 10 533 rate watch options top rated s1 e2 matters of

the essex serpent official trailer apple tv youtube - May 10 2023

web apr 26 2022 a widow a local vicar and a mythical beast are the rumors true the essex serpent now streaming on apple tv apple co theessexserpent set in victo

[the essex serpent tv mini series 2022 imdb](#) - Aug 13 2023

web the essex serpent with claire danes tom hiddleston frank dillane clémente poésy follows london widow cora seaborne who moves to essex to investigate reports of a mythical serpent she forms a bond of science and skepticism with the pastor but when tragedy strikes locals accuse her of attracting the creature

[the essex serpent rotten tomatoes](#) - Jun 11 2023

web the essex serpent 75 average tomatometer 71 average audience score series info newly widowed cora relocates to a small village in essex where she is intrigued by a local superstition that a

[the essex serpent rotten tomatoes](#) - Feb 07 2023

web may 13 2022 distinguished by biting performances and coiling ambience the essex serpent is a highly accomplished gothic romance read critic reviews where to watch the essex serpent limited series

the essex serpent wikipedia - Oct 15 2023

web the essex serpent is a 2016 novel by british author sarah perry the book is the second novel by perry and was released on 27 may 2016 in the united kingdom through serpent s tail an imprint of profile books

sciences physiques bep 2nde professionnelle et te - Oct 24 2021

web sciences physiques de seconde professionnelle et de terminale bep il comprend des applications technologiques des contenus de soutien et d approfondissement des

sciences physiques bep 2nde professionnelle et te download - Nov 05 2022

web sciences physiques bep editions du cercle de la librairie organisé en neuf parties mouvement statique des solides statique des fluides energie chaleur

sciences physiques en seconde professionnelle maths sciences fr - Apr 10 2023

web intitulés des chapitres de sciences physiques en seconde professionnelle si vous voyez ces images c est que votre navigateur ne comprend pas les css n en tenez pas

sciences physiques bep 2nde professionnelle et terminale - Jun 12 2023

web april 16th 2020 achat sciences physiques bep seconde professionnelle et terminale Électrotechnique Électronique à prix bas sur rakuten si vous êtes fan de lecture depuis

deuxième année secondaire devoirs bac tunisie devoirs - Feb 25 2022

web série d exercices n 1 sciences physiques puissances et énergie électrique 2ème sciences 2020 2021 mr mejri chokri série d exercices n 1 sciences physiqu

sciences physiques 2de professionnelle terminale book - Aug 14 2023

web spécialement conçu pour l enseignement des sciences physiques de seconde professionnelle et de terminale bep il comprend des applications technologiques

sciences physiques bep 2nde professionnelle et te copy - Mar 09 2023

web 4 sciences physiques bep 2nde professionnelle et te 2023 04 19 sciences physique bep seconde professionnell e terminale tome 2 hachette cet ouvrage présente

devoirs physique 2ème année science devoir tn - Jan 27 2022

web secondaire 2ème année sciences physique devoirs de contrôle n 1 devoirs de contrôle n 2 devoirs de contrôle n 3 devoirs de contrôle n 4 devoirs de synthèse n 1

sciences physiques bep 2nde professionnelle et te full pdf rc - Feb 08 2023

web sciences physiques bep 2nde professionnelle et te 5 5 education tour d horizon du système éducatif français en 61 fiches réparties en 8 chapitres l histoire du système

sciences physiques seconde professionnelle terminale bep - Jul 13 2023

web l ensemble des compétences des cinq champs professionnels productique et maintenance bâtiment électricité secteur sanitaire et hygiène chimie et procédés est couvert

examen tp n 3 sciences physiques 2 ème sciences cnte tn - Nov 24 2021

web apr 10 2015 examen tp n 3 sciences physiques 2 ème sciences 10 avril 2015 ben larbi wajah professeur galai abdelhamid matière ciblée sciences physiques

sciences physiques bep 2nde professionnelle et te pdf - Dec 06 2022

web may 22 2023 deux années de bep des différents champs professionnels un exposé des sciences physiques conciliant l intérêt des expériences la présentation des modèles et

sciences physiques bep 2nde professionnelle et te uniport edu - Apr 29 2022

web apr 1 2023 prsentation des modles et grandeurs utilis en sciences physiques une ouverture vers les applications techniques l lve trouvera dans ce livre pour chaque

sciences physiques bep seconde professionnelle terminale - May 11 2023

web sciences physiques bep seconde professionnelle terminale tome 1 item preview remove circle share or embed this item share to twitter share to facebook

sciences physiques bep 2nde professionnelle et te pdf - Jul 01 2022

web sciences physiques s adresse aux élèves des classes de bep et plus particulièrement aux élèves de seconde professionnelle il comporte quinze chapitres regroupés dans

tunitests tn devoirs physique 2ème année secondaire sciences - Dec 26 2021

web devoir de synthese n3 2eme annee secondaire physique madame zakraoui lycee ibn khaldoun siliana 1 216 53 386 886 216 97 240 542 maadchiraz gmail com

sciences physiques bep 2nde professionnelle et terminale - Sep 22 2021

web sciences physiques bep seconde professionnelle et nathan sciences physiques bep tome 2 secteurs de l bertrand lacoste sciences physiques

physique 2ème sciences version 2 topnetschool - Mar 29 2022

web résumé de cours sur l équilibre d un solide soumis à trois forces coplanaires et non parallèles série d exercices corrigés sur l équilibre d un solide soumis à trois forces

sciences physiques bep 2nde professionnelle et te 2022 ftp - Sep 03 2022

web sciences physiques bep 2nde professionnelle et te 3 3 plutôt que théorique magistrale et déductive la démarche pédagogique adoptée dans cet ouvrage est essentielleme nt

sciences physiques bep 2nde professionnelle et te copy - May 31 2022

web apr 21 2023 sciences physiques bep 2nde professionnelle et te copy websciences physiques activités bep seconde professionnelle editions l etudiant cet ouvrage est

pdf sciences physiques 2de professionnelle terminale - Oct 04 2022

web il a été spécialement conçu pour l enseignement des sciences physiques de seconde professionnelle et de terminale bep il comprend des applications technologiques

sciences physiques bep 2nde professionnelle et te - Jan 07 2023

web 2 sciences physiques bep 2nde professionnelle et te 2019 07 07 conduit du cas particulier à la généralisation l enseignement secondaire en france hachette cet

sciences physiques bep 2nde professionnelle et te copy - Aug 02 2022

web l enseignement des sciences physiques de seconde professionnelle et de terminale bep il comprend des applications technologiques des contenus de soutien et

transcatheter mitral paravalvular leak closure using - Aug 28 2022

web nov 4 2022 figure 3 paravalvular leak pvl closure the steerable sheath is oriented and pvl is crossed under 3 dimensional transesophageal echocardiography 3d tee guidance a the guidewire blue arrow is passed through the central opening of the aortic mechanical prosthesis snared into the descending aorta and externalized through the

update in paravalvular leak closure springerlink - Jun 06 2023

web jul 16 2021 among the common complications of all valve replacements regardless of valve position surgical or transcatheter is paravalvular leak pvl defined as a regurgitant jet that occurs between the prosthetic valve and native annulus or between the prostheses in the case of valve in valve

transcatheter closure of paravalvular leaks state of the art - May 05 2023

web nov 22 2016 paravalvular leak pvl is a serious complication after surgical valve replacement or after transcatheter aortic valve replacement approximately 1 5 of pvls can lead to serious clinical consequences including congestive heart failure and or haemolytic anaemia

procedural tools and technics for transcatheter paravalvular leak - Apr 04 2023

web dec 23 2022 transcatheter implantation of occluding devices in pvl is a lower risk but challenging procedure of the available devices only two have been specifically approved in europe for transcatheter pvl closure tpmc the occlutech paravalvular leak device pld and amplatzer paravalvular plug 3 avp 3

procedural tools and technics for transcatheter paravalvular leak - Mar 03 2023

web dec 23 2022 affiliations paravalvular leak device pld and amplatzer paravalvular plug 3 avp 3 here we review the

various tools and devices used for tpvlc based on three observational registries including 748 tpvlc procedures performed in 2005-2021 at 33 centres in 11 countries

enhancing success rate in transcatheter closure of paravalvular leaks - Jan 01 2023

web oct 28 2023 we read with interest the study by Landes et al 1 on the efficacy and safety of different transcatheter options redo transcatheter aortic valve implantation tavi plug closure and valvuloplasty post tavi in reducing moderate or greater paravalvular leaks pvl after the index tavi using data from the redo tavi registry

transcatheter closure of the aortic paravalvular leak - Sep 28 2022

web a to c the aortic paravalvular leak the paravalvular leak on the inner side of the mitral valve and the paravalvular leak on the outer side of the mitral valve respectively these leaks were measured by intraoperative transoesophageal ultrasound mitral paravalvular leak closure transcatheter and - Jun 25 2022

web mar 1 2020 since then various devices have been used with varying degrees of success 6 9 10 11 12 13 14 herein we performed a literature search and reviewed the diagnostic methods available devices surgical techniques transcatheter approaches and outcomes for closure of mitral pvl 2 methods

transcatheter paravalvular leak closure history available - Sep 09 2023

web first online 19 June 2017 440 accesses abstract the incidence of paravalvular leaks pvl after surgical valve replacement is estimated to be 2-17% if symptomatic or if the severity of the pvl is moderate or severe redo surgery is a therapeutic option but this is accompanied by a high perioperative risk and a high recurrence rate

procedural tools and techniques for transcatheter paravalvular leak - Aug 08 2023

web dec 23 2022 of the available devices only two have been specifically approved in Europe for transcatheter pvl closure tpvlc the Occlutech paravalvular leak device pld and Amplatzer paravalvular plug 3 avp 3 here we review the various tools and devices used for tpvlc based on three observational registries including 748 tpvlc

trans catheter paravalvular leak closure a single centre experience - Oct 30 2022

web sep 12 2018 a significant paravalvular leak pvl is estimated in at least 1-3% of patients undergoing surgical aortic and/or mitral valve replacement surgical repair of a pvl is associated with a 30-day mortality of approximately 10% percutaneous closure of pvl has emerged as an alternative to surgical repair

transcatheter closure of paravalvular leak multicenter experience and - Oct 10 2023

web background paravalvular leak pvl is a common complication following valve replacement which leads to heart failure and hemolysis transcatheter pvl closure has emerged as a reliable alternative with promising results we quote the combined three-center experience of pvl patients treated percutaneously

trans catheter paravalvular leak closure a single centre experience - Feb 02 2023

web surgical repair of a pvl is associated with a 30 day mortality of approximately 10 percutaneous closure of pvl has emerged as an alternative to surgical repair aim we sought to examine the clinical outcomes of patients treated with percutaneous closure of pvl at an irish tertiary referral centre

[transcatheter paravalvular leak closure springerlink](#) - Jul 07 2023

web represents the first complete collection of theoretical and practical data on transcatheter paravalvular leak closure including detailed descriptions of techniques and available devices a comprehensive imaging tutorial prepares the reader for clinical application describes evolving technology provide the reader with future perspectives

transcatheter closure of paravalvular leaks short and medium - Nov 30 2022

web conclusions transcatheter closure of paravalvular leaks is a feasible and safe procedure with high rates of technical echocardiographic and clinical success in the short and medium term it is an adequate therapeutic alternative mainly in high surgical risk patients and multiples comorbidities

frontiers transcatheter closure of a paravalvular leak guided - Apr 23 2022

web may 20 2022 paravalvular leakage pvl is a unique complication after heart valve replacement and the most common cause of reoperation after valve replacement with an incidence of 0 75 2 3 1

paravalvular regurgitation an overview of indications for closure - Jul 27 2022

web mar 17 2022 paravalvular leak pvl after surgical or transcatheter valve replacement is common occurring in up to one third of patients 1 2 3 although the majority of these defects are mild clinical sequelae can occur from heart failure or hemolytic anemia from significant lesions 1 2 3 as a method to avoid open surgery in patients at elevated risk

percutaneous device closure of paravalvular leak circulation - Mar 23 2022

web sep 1 2016 methods all uk and ireland centers undertaking percutaneous pvl closure submitted data to the uk pvl registry data were analyzed for association with death and major adverse cardiovascular events mace at follow up results three hundred eight pvl closure procedures were attempted in 259 patients in 20 centers 2004 2015

enhancing success rate in transcatheter closure of paravalvular leaks - May 25 2022

web oct 28 2023 unauthorized use of these marks is strictly prohibited 8600 rockville pike bethesda md 20894 hhs vulnerability disclosure accessibility enhancing success rate in transcatheter closure of paravalvular leaks post tavi with vascular plug technology

transcatheter closure of mitral paravalvular leak via hindawi - Feb 19 2022

web 1 introduction paravalvular leak pvl is a common complication after surgical valve replacement with an incidence of 0 5 7 in the aortic and 5 10 in the mitral position 1 4 among patients with pvl approximately 3 require treatment because of congestive heart failure or hemolytic anemia 5 8

