

Download Basic PLC Programming Methods and Applications book

Closed Loop and PID Control

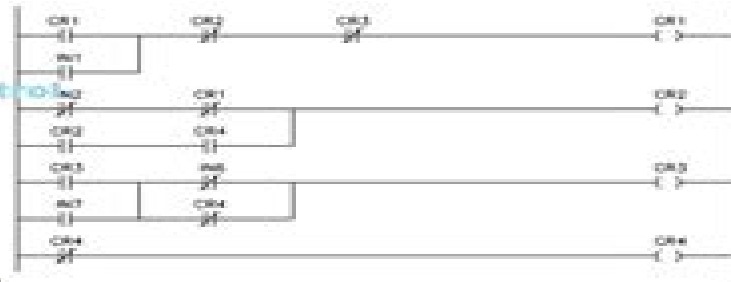
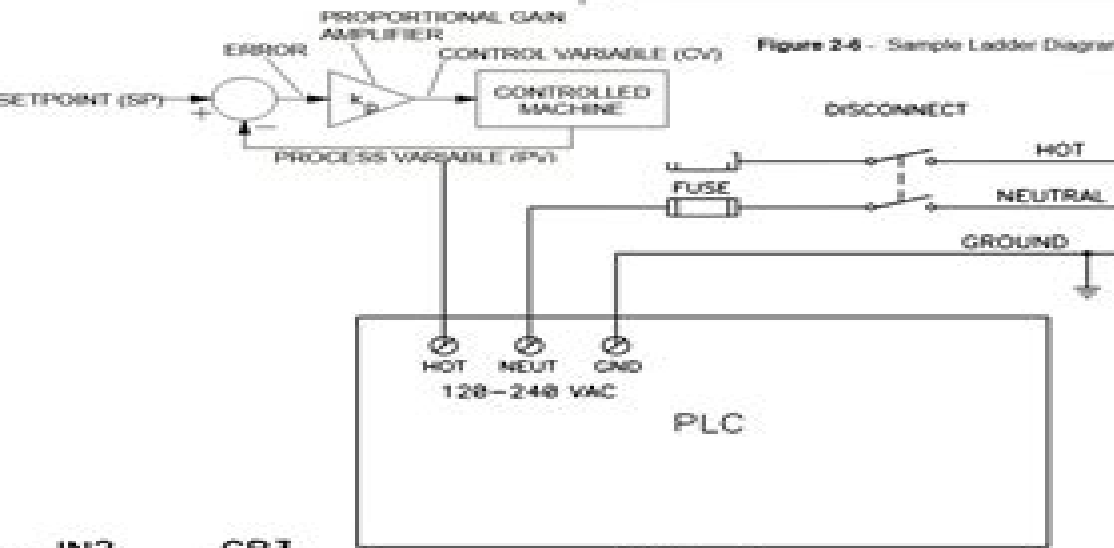
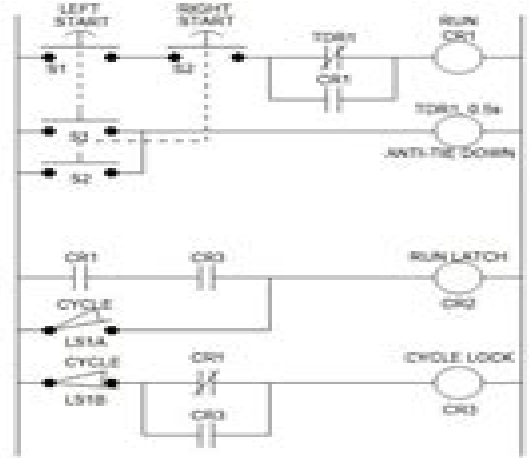
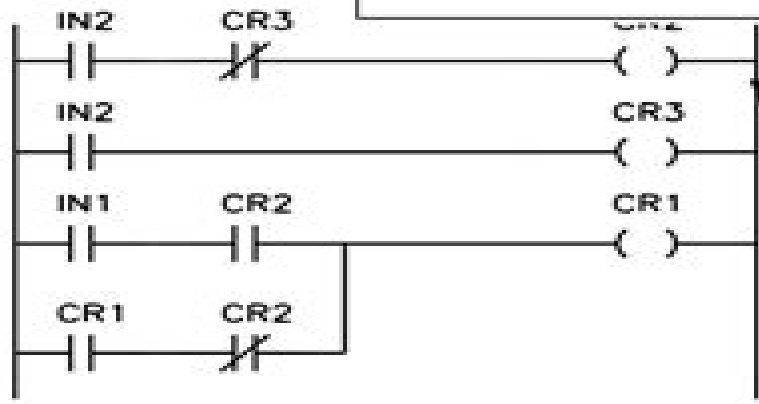
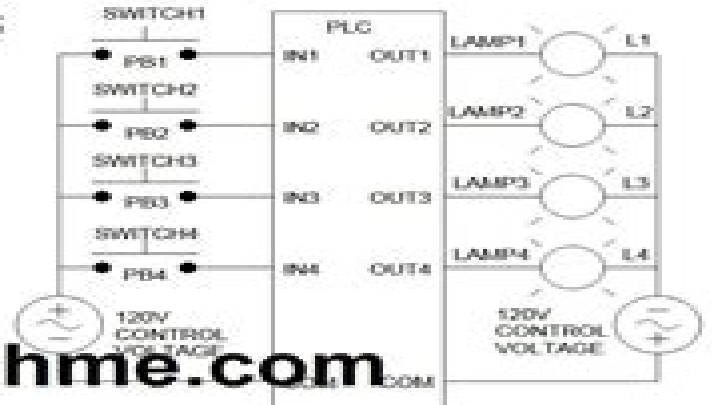


Figure 2-6 - Sample Ladder Diagram



120-240 VAC POWER



www.teckhme.com



Plc Programming Methods And Applications Pdf

Richard Bailey



Plc Programming Methods And Applications Pdf:

Computational Intelligent Techniques in Mechatronics Kolla Bhanu Prakash, Satish Kumar Peddapelli, Ivan C. K. Tam, Wai Lok Woo, Vishal Jain, 2024-10-22 This book set against the backdrop of huge advancements in artificial intelligence and machine learning within mechatronic systems serves as a comprehensive guide to navigating the intricacies of mechatronics and harnessing its transformative potential Mechatronics has been a revolutionary force in engineering and medical robotics over the past decade It will lead to a major industrial revolution and affect research in every field of engineering This book covers the basics of mechatronics computational intelligence approaches simulation and modeling concepts architectures nanotechnology real time monitoring and control different actuators and sensors The book explains clearly and comprehensively the engineering design process at different stages As the historical divisions between the various branches of engineering and computer science become less clearly defined mechatronics may provide a roadmap for nontraditional engineering students studying within the traditional university structure This book covers all the algorithms and techniques found in mechatronics engineering well explained with real time examples especially lab experiments that will be very informative to students and scholars Audience This resource is important for R D departments in academia government and industry It will appeal to mechanical engineers electronics engineers computer scientists robotics engineers professionals in manufacturing automation and related industries as well as innovators and entrepreneurs

Critical Systems: Formal Methods and Automated Verification Laure Petrucci, Cristina Seceleanu, Ana Cavalcanti, 2017-09-02 This book constitutes the refereed proceedings of the Joint 22nd International Workshop on Formal Methods for Industrial Critical Systems and the 17th International Workshop on Automated Verification of Critical Systems FMICS AVoCS 2017 held in Turin Italy in September 2017 The 14 full papers presented together with one invited talk were carefully reviewed and selected from 30 submissions They are organized in the following sections Automated verification techniques Testing and scheduling Formal Methods for mobile and autonomous robots and Modeling and analysis techniques

Programmable Logic Controllers Frederick D Hackworth, Jr, John R Hackworth, 2022-09-06 A text covering fundamental programmable logic controller PLC programming and interfacing methods Included is a collection of sample ladder logic program segments to perform specific tasks in any PLC program such as flashers non standard clocks timed counters and sequencers flip flops RS D T JK majority decision networks and one shots Topics then move into interfacing methods discrete sensors linear transducers encoders motor controllers PID system safety and pneumatics The text can be used in any community college or university level Engineering Technology PLC course and is also an excellent addition to an engineer s or technician s technical reference library Readers should have a thorough understanding of fundamental dc and ac circuits electronic devices including thyristors and a knowledge of college algebra and trigonometry

Water Supply and Distribution Systems Dragan A Savic, John K Banyard, 2024-10-25 Water Supply and Distribution Systems Second edition is a

comprehensive introduction to the topic of how water is delivered to homes and businesses throughout the world It covers fundamental concepts and exploring the latest ideas of good practice

Service Chain Management Christos Voudouris, Gilbert Owusu, Raphael Dorne, David Lesaint, 2007-12-18 Service chain management enables service organisations to improve customer satisfaction and reduce operational costs through intelligent and optimised forecasting planning and scheduling of the service chain and its associated resources such as people networks and other assets The area is quite broad covering field force and workforce automation network and asset planning and also aspects of customer relationship management human resources systems and enterprise resource planning Furthermore it addresses the key challenge of how all these technologies and systems are integrated into a cohesive blueprint In this book Christos Voudouris and his group together with experts from industry and academia present the latest innovations and technologies used to manage the operations of a service company The viewpoints presented are based on the BT experience and on associated research and development in collaborating universities and partner companies The focus is on real world challenges and how technologies can be used to overcome practical problems in a don't just survive thrive approach The unique combination of technologies experiences and systems looked at from the different perspectives of service providers and users and combined with advice on successful benefit realisation and agile delivery of solutions makes this an indispensable read for managers and system architects in the service industry

PLC Programming & Implementation Ojula Technology Innovations, 2025-01-07 In this book which is PLC Programming Implementation I teach you the practical aspect of PLC programming The book is very straightforward and easy to read In this book I present the principles of PLCs while not tying myself to one manufacturer or another I included in this book extensive examples and chapter ending problems that utilize several popular PLCs highlighting understanding of fundamentals that can be used regardless of manufacturer This book will help you understand the main design characteristics internal architecture and operating principles of PLCs as well as identify safety issues and methods for fault diagnosis testing and debugging What you'll learn in this book Comparison of relay controlled systems microprocessor controlled systems and the programmable logic controller a discussion of PLC hardware and architecture examples from various PLC manufacturers and coverage of security the IEC programming standard programming devices and manufacturer's software Detail of programming using Sequential Function Charts Extended coverage of the sequencer Information on fault finding including testing inputs and outputs with an illustration of how it is done with the PLC manufacturer's software New case studies

MIMO Power Line Communications Lars Torsten Berger, Andreas Schwager, Pascal Pagani, Daniel Schneider, 2017-12-19 One of the first publications of its kind in the exciting field of multiple input multiple output MIMO power line communications PLC MIMO Power Line Communications Narrow and Broadband Standards EMC and Advanced Processing contains contributions from experts in industry and academia making it practical enough to provide a solid understanding of how PLC technologies work yet scientific enough to form a base for ongoing R D

activities This book is subdivided into five thematic parts Part I looks at narrow and broadband channel characterization based on measurements from around the globe Taking into account current regulations and electromagnetic compatibility EMC part II describes MIMO signal processing strategies and related capacity and throughput estimates Current narrow and broadband PLC standards and specifications are described in the various chapters of part III Advanced PLC processing options are treated in part IV drawing from a wide variety of research areas such as beamforming precoding time reversal multi user processing and relaying Lastly part V contains case studies and field trials where the advanced technologies of tomorrow are put into practice today Suitable as a reference or a handbook MIMO Power Line Communications Narrow and Broadband Standards EMC and Advanced Processing features self contained chapters with extensive cross referencing to allow for a flexible reading path

Proceedings of the Eleventh National Conference on Communications, 2005 A
Baseline of Development Darrel W. Staat, 2019-06-11 This book is a result of research into ten technologies currently under development that will directly affect community colleges and universities most within the next 5 20 years and a few within the next 20 30 years The research conducted on each of the technologies provides a baseline of current development and predictions of when they may impact institutions of higher education These technologies develop in two phases first in a linear manner and second following up with an exponential velocity The development of Uber and Airbnb are good examples of the speed of exponential development Institutions of higher education need to be prepared for the disruptions that the ten technologies discussed will create

Government Reports Announcements & Index, 1993 **Materials Handling News**, 1994 *ASME Technical Papers*, 1996 **The Economist**, 2007 **Programmable Logic Controllers** John R. Hackworth, Frederick D. Hackworth, 2004 Programmable Logic Controllers provides the student with a general working knowledge of the various PLC brands and models Programming concepts applicable to virtually all controllers are discussed and practical programming problems are presented throughout the text A basic understanding of AC DC circuits electronic devices including thyristors basic logic gates flip flops Boolean algebra and college algebra and trigonometry is a prerequisite The PLC simulation CD that accompanies the text provides hands on programming experience *Paper*, 1991 *CEP Software Directory*, 1998 *Understanding and Assessing Logic Control Design Methodologies* Morrison Ray Lucas, 2003 **Whitaker's Books in Print**, 1998 **NASA SP.**, 1962 Developing and Implementing Transportation Management Plans for Work Zones, 2005

Unveiling the Energy of Verbal Artistry: An Mental Sojourn through **Plc Programming Methods And Applications Pdf**

In a global inundated with monitors and the cacophony of fast connection, the profound energy and emotional resonance of verbal beauty often disappear in to obscurity, eclipsed by the continuous assault of sound and distractions. However, located within the lyrical pages of **Plc Programming Methods And Applications Pdf**, a charming work of literary splendor that pulses with organic feelings, lies an unforgettable trip waiting to be embarked upon. Penned by a virtuoso wordsmith, that magical opus guides readers on a psychological odyssey, delicately revealing the latent possible and profound affect embedded within the elaborate internet of language. Within the heart-wrenching expanse of this evocative analysis, we will embark upon an introspective exploration of the book is central themes, dissect their interesting writing fashion, and immerse ourselves in the indelible impression it leaves upon the depths of readers souls.

<https://py.bijouxmedusa.com/results/scholarship/HomePages/seat%20ibiza%201998.pdf>

Table of Contents Plc Programming Methods And Applications Pdf

1. Understanding the eBook Plc Programming Methods And Applications Pdf
 - The Rise of Digital Reading Plc Programming Methods And Applications Pdf
 - Advantages of eBooks Over Traditional Books
2. Identifying Plc Programming Methods And Applications Pdf
 - Exploring Different Genres
 - Considering Fiction vs. Non-Fiction
 - Determining Your Reading Goals
3. Choosing the Right eBook Platform
 - Popular eBook Platforms
 - Features to Look for in an Plc Programming Methods And Applications Pdf
 - User-Friendly Interface
4. Exploring eBook Recommendations from Plc Programming Methods And Applications Pdf
 - Personalized Recommendations

- Plc Programming Methods And Applications Pdf User Reviews and Ratings
- Plc Programming Methods And Applications Pdf and Bestseller Lists
- 5. Accessing Plc Programming Methods And Applications Pdf Free and Paid eBooks
 - Plc Programming Methods And Applications Pdf Public Domain eBooks
 - Plc Programming Methods And Applications Pdf eBook Subscription Services
 - Plc Programming Methods And Applications Pdf Budget-Friendly Options
- 6. Navigating Plc Programming Methods And Applications Pdf eBook Formats
 - ePub, PDF, MOBI, and More
 - Plc Programming Methods And Applications Pdf Compatibility with Devices
 - Plc Programming Methods And Applications Pdf Enhanced eBook Features
- 7. Enhancing Your Reading Experience
 - Adjustable Fonts and Text Sizes of Plc Programming Methods And Applications Pdf
 - Highlighting and Note-Taking Plc Programming Methods And Applications Pdf
 - Interactive Elements Plc Programming Methods And Applications Pdf
- 8. Staying Engaged with Plc Programming Methods And Applications Pdf
 - Joining Online Reading Communities
 - Participating in Virtual Book Clubs
 - Following Authors and Publishers Plc Programming Methods And Applications Pdf
- 9. Balancing eBooks and Physical Books Plc Programming Methods And Applications Pdf
 - Benefits of a Digital Library
 - Creating a Diverse Reading Collection Plc Programming Methods And Applications Pdf
- 10. Overcoming Reading Challenges
 - Dealing with Digital Eye Strain
 - Minimizing Distractions
 - Managing Screen Time
- 11. Cultivating a Reading Routine Plc Programming Methods And Applications Pdf
 - Setting Reading Goals Plc Programming Methods And Applications Pdf
 - Carving Out Dedicated Reading Time
- 12. Sourcing Reliable Information of Plc Programming Methods And Applications Pdf
 - Fact-Checking eBook Content of Plc Programming Methods And Applications Pdf

- Distinguishing Credible Sources
- 13. Promoting Lifelong Learning
 - Utilizing eBooks for Skill Development
 - Exploring Educational eBooks
- 14. Embracing eBook Trends
 - Integration of Multimedia Elements
 - Interactive and Gamified eBooks

Plc Programming Methods And Applications Pdf Introduction

Free PDF Books and Manuals for Download: Unlocking Knowledge at Your Fingertips In today's fast-paced digital age, obtaining valuable knowledge has become easier than ever. Thanks to the internet, a vast array of books and manuals are now available for free download in PDF format. Whether you are a student, professional, or simply an avid reader, this treasure trove of downloadable resources offers a wealth of information, conveniently accessible anytime, anywhere. The advent of online libraries and platforms dedicated to sharing knowledge has revolutionized the way we consume information. No longer confined to physical libraries or bookstores, readers can now access an extensive collection of digital books and manuals with just a few clicks. These resources, available in PDF, Microsoft Word, and PowerPoint formats, cater to a wide range of interests, including literature, technology, science, history, and much more. One notable platform where you can explore and download free Plc Programming Methods And Applications Pdf PDF books and manuals is the internet's largest free library. Hosted online, this catalog compiles a vast assortment of documents, making it a veritable goldmine of knowledge. With its easy-to-use website interface and customizable PDF generator, this platform offers a user-friendly experience, allowing individuals to effortlessly navigate and access the information they seek. The availability of free PDF books and manuals on this platform demonstrates its commitment to democratizing education and empowering individuals with the tools needed to succeed in their chosen fields. It allows anyone, regardless of their background or financial limitations, to expand their horizons and gain insights from experts in various disciplines. One of the most significant advantages of downloading PDF books and manuals lies in their portability. Unlike physical copies, digital books can be stored and carried on a single device, such as a tablet or smartphone, saving valuable space and weight. This convenience makes it possible for readers to have their entire library at their fingertips, whether they are commuting, traveling, or simply enjoying a lazy afternoon at home. Additionally, digital files are easily searchable, enabling readers to locate specific information within seconds. With a few keystrokes, users can search for keywords, topics, or phrases, making research and finding relevant information a breeze. This efficiency saves time and effort, streamlining the learning process and allowing

individuals to focus on extracting the information they need. Furthermore, the availability of free PDF books and manuals fosters a culture of continuous learning. By removing financial barriers, more people can access educational resources and pursue lifelong learning, contributing to personal growth and professional development. This democratization of knowledge promotes intellectual curiosity and empowers individuals to become lifelong learners, promoting progress and innovation in various fields. It is worth noting that while accessing free Plc Programming Methods And Applications Pdf PDF books and manuals is convenient and cost-effective, it is vital to respect copyright laws and intellectual property rights. Platforms offering free downloads often operate within legal boundaries, ensuring that the materials they provide are either in the public domain or authorized for distribution. By adhering to copyright laws, users can enjoy the benefits of free access to knowledge while supporting the authors and publishers who make these resources available. In conclusion, the availability of Plc Programming Methods And Applications Pdf free PDF books and manuals for download has revolutionized the way we access and consume knowledge. With just a few clicks, individuals can explore a vast collection of resources across different disciplines, all free of charge. This accessibility empowers individuals to become lifelong learners, contributing to personal growth, professional development, and the advancement of society as a whole. So why not unlock a world of knowledge today? Start exploring the vast sea of free PDF books and manuals waiting to be discovered right at your fingertips.

FAQs About Plc Programming Methods And Applications Pdf Books

How do I know which eBook platform is the best for me? Finding the best eBook platform depends on your reading preferences and device compatibility. Research different platforms, read user reviews, and explore their features before making a choice. Are free eBooks of good quality? Yes, many reputable platforms offer high-quality free eBooks, including classics and public domain works. However, make sure to verify the source to ensure the eBook credibility. Can I read eBooks without an eReader? Absolutely! Most eBook platforms offer web-based readers or mobile apps that allow you to read eBooks on your computer, tablet, or smartphone. How do I avoid digital eye strain while reading eBooks? To prevent digital eye strain, take regular breaks, adjust the font size and background color, and ensure proper lighting while reading eBooks. What the advantage of interactive eBooks? Interactive eBooks incorporate multimedia elements, quizzes, and activities, enhancing the reader engagement and providing a more immersive learning experience. Plc Programming Methods And Applications Pdf is one of the best book in our library for free trial. We provide copy of Plc Programming Methods And Applications Pdf in digital format, so the resources that you find are reliable. There are also many Ebooks of related with Plc Programming Methods And Applications Pdf. Where to download Plc Programming Methods And Applications Pdf online for free? Are you looking for Plc Programming Methods And Applications Pdf PDF? This is definitely going to save you time and

cash in something you should think about.

Find Plc Programming Methods And Applications Pdf :

[seat ibiza 1998](#)

[sawyers internal auditing the practice of modern internal auditing fourth edition](#)

simon sinek speaker ted

shot in the heart mikal gilmore

section 13 1 changing the living world answer key

sharegate vs metalogix vs avepoint documents

~~simple computer quiz questions and answers~~

~~ships routeing imø~~

~~see electrical ige xao~~

sharepoint 2013 designer and workflows 2 days

~~scacchi strategie base~~

~~savage time~~

~~signals and systems for bioengineers~~

~~security guard training manual~~

schema impianto elettrico jeep willys

Plc Programming Methods And Applications Pdf :

georges brassens le poète radio france - Mar 30 2022

web aug 3 2021 virtuose des mots autodidacte amoureux de la poésie georges brassens a eu dès l adolescence l ambition d être poète écrivain il écrira ses chansons comme on aborde des œuvres littéraires ciselées exigeantes en vers souvent

citations de georges brassens citation célèbre - Jun 13 2023

web retrouvez toutes les phrases célèbres de georges brassens parmi une sélection de de 100 000 citations célèbres provenant d ouvrages d interviews ou de discours lisez le top 10

les mots de brassens encyclopédie wikimonde - Sep 04 2022

web les mots de brassens est une étude sur le vocabulaire du chanteur georges brassens écrite par loïc rochard introduction les mots de brassens petit dictionnaire d un orfèvre du langage précise en sous titre loïc rochard on retrouve à travers les

mots et les expressions que brassens utilise et qu il fait revivre tout ce qui fait la
[les mots de brassens loïc rochard georges brassens](#) - Jul 02 2022

web les mots de brassens ouvrage goûteux s il en est témoin de la richesse et de la variété du vocabulaire de l auteur de l auvergnat et des copains d abord dans ce dictionnaire haut en couleurs loïc rochard répertorie et explicite tous les trésors de la langue française mots abandonnés ou peu usités tournures argotiques ou
[les mots de brassens broché loïc rochard fnac](#) - Apr 11 2023

web résumé voir tout il suffit de s immerger dans les chansons de georges brassens pour y faire d étonnantes rencontres on y croise de tristes bigots de joyeux durs à cuir et de drôles de binettes à foison par exemple des loustics des jean foutre des jobards des fesse mathieu des maritornes des engeances des titis des rombières
[brassens in sözleri frwiki wiki](#) - Jun 01 2022

web küçük bir dil kuyumcusu sözlüğü olan les mots de brassens loïc rochard in alt başlığında belirtir brassens in kullandığı ve hayata döndürdüğü kelime ve ifadelerde evreninin özünü oluşturan her şeyi buluyoruz

10239 les mots de brassens espace georges brassens - Aug 03 2022

web description les mots de brassens le sous titre de l ouvrage petit dictionnaire d un orfèvre du langage annonce la couleur et il n y a pas tromperie sur la marchandise ainsi l auteur explicite des mots ou des expressions utilisées par georges brassens dans des textes inédits qui nous ont été révélés par les musiques et les
[les mots de brassens petit dictionnaire d un de loïc rochard](#) - Dec 07 2022

web may 28 2009 on y croise de tristes bigots de joyeux durs à cuir et de drôles de binettes à foison par exemple des loustics des jean foutre des jobards des fesse mathieu des maritornes des engeances des titis des rombières des foutriquets des gentillâtres des bélétrés des becs fins des grimauds des succubes des sycophantes des
[dans l intimité des textes de georges brassens le point](#) - Dec 27 2021

web sep 19 2020 culture dans l intimité des textes de georges brassens mardi prochain la maison d enchères artcurial dispersera 22 manuscrits originaux du grand chêne de la chanson française
[analyse brassens explications des références expressions](#) - Nov 06 2022

web analyse brassens est un recueil populaire d analyses des textes de georges brassens explications des références expressions formules vocabulaire hommages rendus

[les mots de brassens loïc rochard google books](#) - Jul 14 2023

web nov 20 2014 on y croise de tristes bigots de joyeux durs à cuir et de drôles de binettes à foison par exemple des loustics des jean foutre des jobards des fesse mathieu des

[10 meilleures chansons de georges brassens les plus connues](#) - Feb 26 2022

web jetez un œil à nos 3 meilleurs choix pour débutants brassens c est cette plume unique qui a su mêler espièglerie ironie et profondeur un artiste à la voix inimitable qui en quelques mots nous transporte dans son univers si singulier quand on évoque la chanson française son nom résonne comme une évidence

[georges brassens 50 citations pensées biographie](#) - May 12 2023

web retrouvez ici des citations de georges brassens venant de ses interviews et de ses chansons les citations les plus populaires toujours je regretterai maman papa de vous

brassens le vocabulaire de la mort corbillard croque mort - Jan 28 2022

web oct 27 2021 beaucoup me contestent le titre de musicien en 1979 philippe nemo proposait un long entretien avec georges brassens une interview exceptionnelle illustrée de nombreuses chansons le gorille le fossoyeur grand père les funérailles d antan gastibelza etc l entretien commençait ainsi beaucoup me contestent le titre de

[les mots du corps dans le langage de georges brassens](#) - Apr 30 2022

web dans ce travail nous allons étudier les mots et expressions relatifs au corps humain dans le langage de georges brassens indiscutablement un des chanteurs et poètes français les plus importants au xxe siècle2

[les mots de brassens wikiwand](#) - Mar 10 2023

web les mots de brassens est une étude sur le vocabulaire du chanteur georges brassens écrite par loïc rochard quick facts auteur pays genre Éditeur collection les mots de brassens

[les mots de brassens loïc rochard cherche midi lisez](#) - Jan 08 2023

web on y croise de tristes bigots de joyeux durs à cuir et de drôles de binettes à foison par exemple des loustics des jean foutre des jobards des fesse mathieu des maritornes des engeances des titis des rombières des foutriquets des gentillâtres des bëlîtres des becs fins des grimauds des succubes des sycophantes des

les mots de brassens brassens d abord kağıt kapak - Feb 09 2023

web les mots de brassens brassens d abord rochard loïc amazon com tr kitap Çerez tercihlerinizi seçin Çerez bildirimimizde ayrıntılı şekilde açıklandığı üzere alışveriş yapmanızı sağlamak alışveriş deneyiminizi iyileştirmek ve hizmetlerimizi sunmak için gerekli olan çerezleri ve benzer araçları kullanırız

100 citations de georges brassens ses plus belles pensées - Oct 05 2022

web trouvez une citation de georges brassens une phrase un proverbe une maxime une réflexion une formule ou bon mot un dicton ou une expression tirée de ses romans de courts extraits de ses livres essais discours ou interviews une sélection de 100 citations de georges brassens

[paroles georges brassens 246 paroles de chansons et lyrics](#) - Aug 15 2023

web liste des paroles de georges brassens retrouve toutes les chansons pour georges brassens ainsi que de nombreux clips

guía para preparar el celi 3 b2 de italiano - Nov 11 2022

web apr 2 2020 el celi 3 nivel b2 del mcer es un nivel intermedio superior para dominar el idioma sin mucho esfuerzo en situaciones cotidianas y algunas situaciones formales básicas que no requieren mucha complicación de pensamiento ni abstracción

libro gramatica italiana nivel b2 pdf beta atanet - Jul 07 2022

web 4 libro gramatica italiana nivel b2 2020 03 30 considered italy s the fault in our stars now available in english for the first time this rich funny and heartwarming coming of age tale asks us to explore the meaning and the cost of friendship and shows us what happens when suffering bursts into the world of teenagers and renders

libros para prepararse el nivel b2 de italiano - Sep 21 2023

web aug 11 2020 os traemos un listado de libros para prepararte el b2 de italiano libros de trabajo para mejorar la gramática vocabulario fonética vamos

libro gramatica italiana nivel b2 pdf learn copyblogger - Mar 03 2022

web libro gramatica italiana nivel b2 libro gramatica italiana nivel b2 2 downloaded from learn copyblogger com on 2022 04 09 by guest range of text types it also includes an answer key regular and irregular conjugated verbs a complete and easy to use thematic index the grammar bible michael strumpf 2004 07 15 for more than a quarter of a

libro gramatica italiana nivel b2 web mei - Sep 09 2022

web libro gramatica italiana nivel b2 is available in our digital library an online access to it is set as public so you can get it instantly our books collection saves in multiple locations allowing you to get the most less latency time to download any of our books like this one

amazon es b2 italiano - Mar 15 2023

web la lingua italiana e le sue regole grammatica della lingua italiana con esercizi livello a1 b2 la lingua italiana e le sue regole a1 b2 libro digita

grammatica pratica della lingua italiana a1 b2 casa del libro - Dec 12 2022

web 29 11 2022 tapa blanda la grammatica pratica della lingua italiana es un manual imprescindible para el estudio básico de italiano es una gran ayuda para comprender las reglas básicas del italiano y el libro tiene unas explicaciones sencillas con sus ejercicios correspondientes ver todas las opiniones 5

libro gramatica italiana nivel b2 orientation sutd edu sg - May 05 2022

web libro gramatica italiana nivel b2 aprender italiano artigo definido em italiano april 30th 2018 aprenda com a nossa gramática italiana grátis artigo definido italiano portada biblioteca ulpgc april 29th 2018 el catálogo es de acceso público y permite localizar los fondos de la biblioteca

nuovo magari b2 corsi di italiano alma edizioni - Oct 22 2023

web questa nuova edizione di magari propone due volumi divisi per livelli b2 per il primo volume e c1 c2 per il secondo ognuno dei quali include le attività per la classe e anche gli esercizi i contenuti sono stati rinnovati e arricchiti

libro gramatica italiana nivel b2 esource svb - Apr 04 2022

web montgomery valencia libro gramatica b2 nivel avanzado pdf epub librospub libro gramatica italiana nivel b2 los mejores libros en pdf para aprender italiano gratis lee y descarga los libros que te presentamos en

los mejores libros de gramática italiana para aprender - Apr 16 2023

web feb 18 2021 en esta clase vamos a hablar de las mejores gramáticas italianas a la venta para todos los que quieran aprender italiano independientemente del nivel como bien sabéis la gramática es una de las partes fundamentales de todos los idiomas

grammatica livello intermedio b1 b2 noi parliamo italiano - Aug 20 2023

web livello b1 grammatica e produzione scritta esercizi plurale delle parole composte 1 2 3 nomi collettivi 1 2 3 trapassato prossimo 1 2 3 4 5 imperativo 1 2 3 4 5 imperativo con pronomi 1 2 3 4 5 6

los mejores libros para aprender italiano europass - May 17 2023

web la gramática de susanna nocchi es una de las más prestigiosas y recomendadas para estudiantes extranjeros de nivel a2 a b2 presenta las normas de una manera clara concisa y efectiva y hay disponibles paneles muy

guía de italiano b2 universidad nacional de educacion a - Jun 18 2023

web 1 introducción el en el nivel b2 de italiano se desarrollan las habilidades lingüísticas necesarias para poder manejarse de forma autónoma en situaciones previsibles en distintos contextos sociales y laborales según el marco común europeo de referencia un hablante cuyo nivel de competencia equivale al nivel b2 es capaz de es capaz

guía para preparar el examen oficial de italiano plida b2 - Jul 19 2023

web oct 2 2020 libros recomendados para el examen plida b2 si quieres comenzar a repasar y profundizar en los conocimientos esenciales del nivel b2 de italiano no dejes de mirar algunos de estos libros nuova grammatica pratica della lingua italiana esercizi

libro gramatica italiana nivel b2 book harvard university - Aug 08 2022

web online publication libro gramatica italiana nivel b2 can be one of the options to accompany you with having further time it will not waste your time take me the e book will totally impression you supplementary issue to read just invest tiny grow old to right of entry this on line pronouncement libro gramatica italiana nivel b2 as with ease

ebook libro gramatica italiana nivel b2 - Jun 06 2022

web libro gramatica italiana nivel b2 italian short stories for beginners nov 09 2022 do you know what the hardest thing for

an italian learner is finding proper reading material that they can handle which is precisely the reason we ve written this book teachers love giving out tough expert

libro gramatica italiana nivel b2 web mei - Oct 10 2022

web libro gramatica italiana nivel b2 1 libro gramatica italiana nivel b2 recognizing the showing off ways to get this books libro gramatica italiana nivel b2 is additionally useful you have remained in right site to begin getting this info acquire the libro gramatica italiana nivel b2 connect that we meet the expense of here and check out

grammatica italiana per tutti vol 2 regole d uso casa del libro - Jan 13 2023

web b1 b2 una grammatica italiana per tutti 2 es el segundo de dos volúmenes de una gramática diseñados especialmente para estudiantes extranjeros de italiano el segundo volumen de copias de nivel intermedio b1 y b2 en el marco común europeo de referencia para las lenguas

libro gramatica italiana nivel b2 pdf - Feb 14 2023

web libro gramatica italiana nivel b2 italiano essencial livro de gramática para estudantes estrangeiros desde o nível principiantes a1 até o intermediário alto b2 o oct 15 2022 l italiano essenziale con test di autovalutazione è un testo di grammatica rivolto a studenti a partire dal livello principiante a1 fino a un livello

ch 1 introduction university physics volume 1 openstax - Mar 07 2023

web book title university physics volume 1 publication date sep 19 2016 location houston texas book url openstax org books university physics volume 1 pages 1 introduction section url openstax org books university physics volume 1 pages 1 introduction jul 21 2023 openstax

university physics 13th edition textbook solutions bartleby - Feb 23 2022

web book details university physics with modern physics technology update thirteenth edition continues to set the benchmark for clarity and rigor combined with effective teaching and research based innovation

university physics 13th edition textbook solutions chegg com - Jul 31 2022

web step by step solution step 1 of 2 a theory in science is a vast combination of truths and well tested hypotheses theories are a foundation of science and are not fixed but evolve the test of knowledge is an experiment in science in experiment the researchers conclude by manipulating some aspect of nature of observation

university physics 13th edition textbook solutions chegg com - Oct 02 2022

web unlike static pdf university physics 13th edition solution manuals or printed answer keys our experts show you how to solve each problem step by step no need to wait for office hours or assignments to be graded to find out where you took a wrong turn you can check your reasoning as you tackle a problem using our interactive solutions viewer

university physics 13th edition volume 1 kitap 1665188095 - May 09 2023

web fizik1 dersi için ders kitabı 1 dönem tek kullandım kitap 1 4 detaylar durum İyi açıklama fizik1 dersi için ders kitabı 1 dönem tek kullandım 250 tl university physics 13th edition volume 1 muğla muğla türkiye bugün elif yıldız İlan konumu muğla muğla türkiye İlan no 1665188095 İlanı şikayet et

openstax - Sep 13 2023

web openstax offers free college textbooks for all types of students making education accessible affordable for everyone browse our list of available subjects

solution manual for university physics 13th edition volumes 1 - Mar 27 2022

web jun 10 2019 this is the solution manual for university physics 13th edition volumes 1 2 and 3 by roger a freedman hugh d young university physics with modern physics thirteenth

university physics 13th edition solution manual academia edu - Apr 27 2022

web university physics 13th edition solution manual felipe arias recio see full pdf download pdf see full pdf download pdf related papers solucionario sears 13ed volumen 1 y 2 13va edición sears y zemansky 13th edition solution marisol perez download free pdf view pdf solucionario 13a ed

university physics 13th edition solution manual pdf - Jan 25 2022

web 21 25 evaluate for a point charge e is proportional to $1/r^2$ for a long straight line of charge e is proportional to $1/r$ identify for a ring of charge the electric field is given by eq 21 8 f qe in part b use newtons third law to relate the force on the ring to the force exerted by the ring

university physics wikipedia - May 29 2022

web 1 1 volume 1 classic mechanics waves acoustics and thermodynamics

university physics volume 1 open textbook library - Aug 12 2023

web dec 5 2016 university physics is a three volume collection that meets the scope and sequence requirements for two and three semester calculus based physics courses volume 1 covers mechanics sound oscillations and waves

university physics volume 1 chs 1 20 edition 13 paperback - Feb 06 2023

web jan 12 2011 university physics with modern physics volume 1 chapters 1 20 only 13 e continues to set the benchmark for clarity and rigor combined with effective teaching and research based innovation university physics is known for its uniquely broad deep and thoughtful set of worked examples key tools for developing both physical

university physics with modern physics volume 1 13th edition - Nov 03 2022

web now with expert verified solutions from university physics with modern physics volume 1 13th edition you ll learn how to solve your toughest homework problems our resource for university physics with modern physics volume 1 includes answers to chapter exercises as well as detailed information to walk you through the process step by step

[openstax](#) - Jul 11 2023

web openstax

university physics young hugh d author archive org - Jun 10 2023

web english 1 volume various pagings 28 cm taken from university physics with modern physics technology update thirteenth edition by hugh d young roger a freedman and contributing author a lewis ford includes index

[physica cloud](#) - Dec 04 2022

web physica cloud

student solutions manual sears zemansky s university physics 13th - Sep 01 2022

web student solutions manual sears zemansky s university physics 13th edition by ford a lewis albert lewis publication date 2012 topics physics problems exercises etc physics publisher san francisco ca pearson collection inlibrary printdisabled internetarchivebooks contributor internet archive language english volume 1

university physics volume 1 chs 1 20 13th edition - Jan 05 2023

web dec 29 2010 university physics volume 1 chs 1 20 13th edition paperback illustrated dec 29 2010 by hugh d young author roger a freedman author 4 1 4 1 out of 5 stars 67 ratings

university physics volume 1 chs 1 20 13th edition young - Jun 29 2022

web university physics with modern physics thirteenth edition continues to set the benchmark for clarity and rigor combined with effective teaching and research based innovation university physics is known for its uniquely broad deep and thoughtful set of worked examples key tools for developing both physical understanding and problem

[university physics 13th edition 13th edition amazon com](#) - Apr 08 2023

web jan 8 2011 the thirteenth edition revises all the examples and problem solving strategies to be more concise and direct while maintaining the twelfth edition s consistent structured approach and strong focus on modeling as well as math