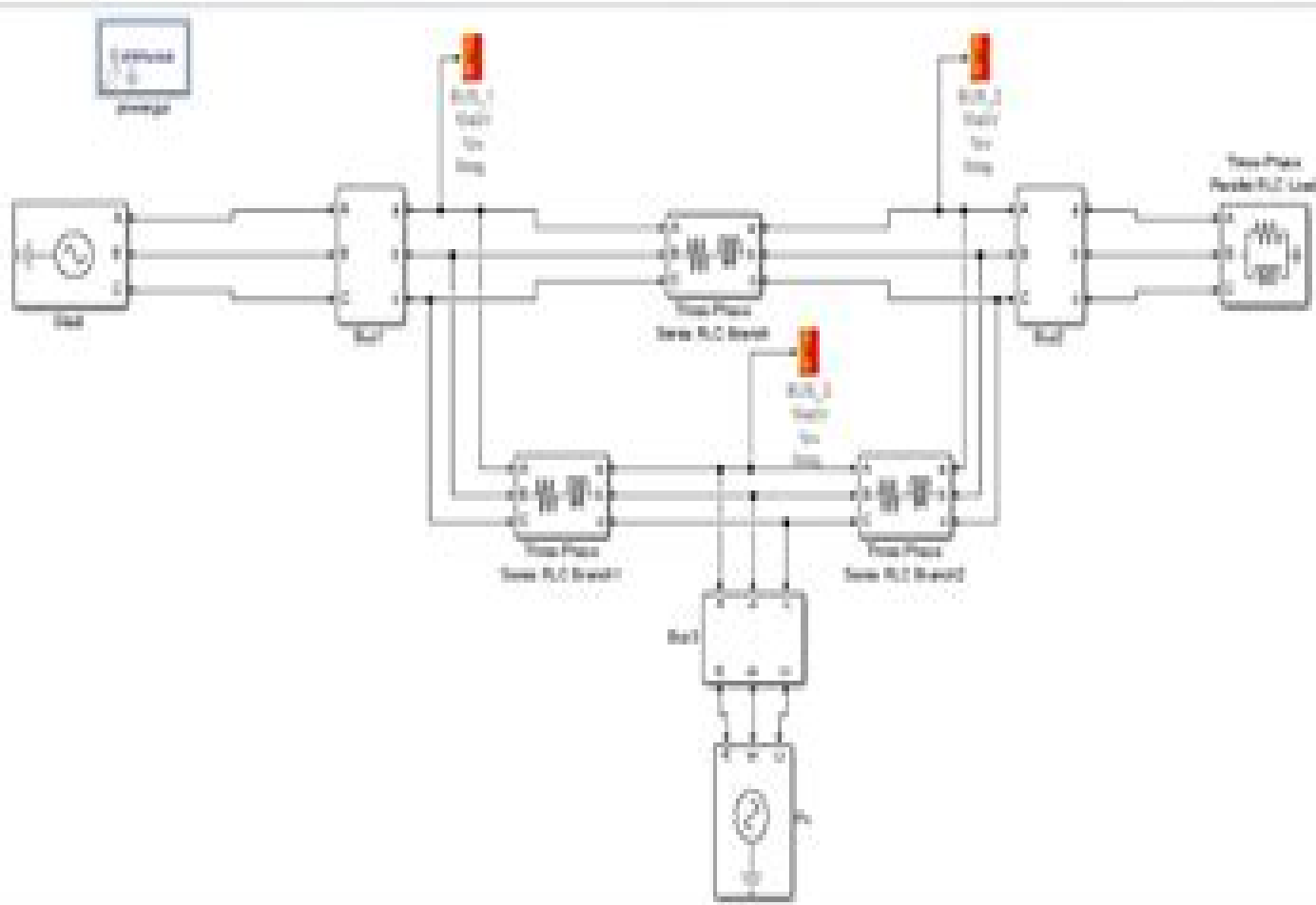


Block type	Bus type	Bus ID	Year (Y)	Vol (kV)	Angle (deg)	P (MW)	Q (Mvar)	Gen (MW)	Qgen (Mvar)	V,UF (pu)	Angle,UF (deg)	P,UF (MW)	Q,UF (Mvar)	Block Name
1	Ybus	bus01_1	10.00	1.0000	0.00	0.00	0.00	-0.00	0.00	1.0000	0.00	-179.79	107.94	Slack
2	R/LC load 00	bus01_2	10.00	1	0.00	100.00	100.00	-0.00	0.00	0.9997	1.90	100.00	100.00	Three-Phase Parallel R/LC Load
3	Ybus	bus01_3	10.00	1.0000	0.00	0.00	0.00	-0.00	0.00	1.0000	0.00	0.00	0.00	0.00



Load Flow Analysis Using Matlab Thesis Shopediaore

Clemens Wendtner



Load Flow Analysis Using Matlab Thesis Shopediaore:

The Top Books of the Year Load Flow Analysis Using Matlab Thesis Shopediaore The year 2023 has witnessed a noteworthy surge in literary brilliance, with numerous captivating novels captivating the hearts of readers worldwide. Lets delve into the realm of popular books, exploring the engaging narratives that have charmed audiences this year. Load Flow Analysis Using Matlab Thesis Shopediaore : Colleen Hoover's "It Ends with Us" This touching tale of love, loss, and resilience has gripped readers with its raw and emotional exploration of domestic abuse. Hoover skillfully weaves a story of hope and healing, reminding us that even in the darkest of times, the human spirit can prevail. Uncover the Best : Taylor Jenkins Reids "The Seven Husbands of Evelyn Hugo" This intriguing historical fiction novel unravels the life of Evelyn Hugo, a Hollywood icon who defies expectations and societal norms to pursue her dreams. Reids compelling storytelling and compelling characters transport readers to a bygone era, immersing them in a world of glamour, ambition, and self-discovery. Load Flow Analysis Using Matlab Thesis Shopediaore : Delia Owens "Where the Crawdads Sing" This mesmerizing coming-of-age story follows Kya Clark, a young woman who grows up alone in the marshes of North Carolina. Owens crafts a tale of resilience, survival, and the transformative power of nature, captivating readers with its evocative prose and mesmerizing setting. These bestselling novels represent just a fraction of the literary treasures that have emerged in 2023. Whether you seek tales of romance, adventure, or personal growth, the world of literature offers an abundance of compelling stories waiting to be discovered. The novel begins with Richard Papen, a bright but troubled young man, arriving at Hampden College. Richard is immediately drawn to the group of students who call themselves the Classics Club. The club is led by Henry Winter, a brilliant and charismatic young man. Henry is obsessed with Greek mythology and philosophy, and he quickly draws Richard into his world. The other members of the Classics Club are equally as fascinating. Bunny Corcoran is a wealthy and spoiled young man who is always looking for a good time. Charles Tavis is a quiet and reserved young man who is deeply in love with Henry. Camilla Macaulay is a beautiful and intelligent young woman who is drawn to the power and danger of the Classics Club. The students are all deeply in love with Morrow, and they are willing to do anything to please him. Morrow is a complex and mysterious figure, and he seems to be manipulating the students for his own purposes. As the students become more involved with Morrow, they begin to commit increasingly dangerous acts. The Secret History is a masterful and thrilling novel that will keep you guessing until the very end. The novel is a cautionary tale about the dangers of obsession and the power of evil.

<https://py.bijouxmedusa.com/results/virtual-library/HomePages/Earth%20Science%20Chapter%2031%20Study%20Answers.pdf>

Table of Contents Load Flow Analysis Using Matlab Thesis Shopediaore

1. Understanding the eBook Load Flow Analysis Using Matlab Thesis Shopediaore
 - The Rise of Digital Reading Load Flow Analysis Using Matlab Thesis Shopediaore
 - Advantages of eBooks Over Traditional Books
2. Identifying Load Flow Analysis Using Matlab Thesis Shopediaore
 - Exploring Different Genres
 - Considering Fiction vs. Non-Fiction
 - Determining Your Reading Goals
3. Choosing the Right eBook Platform
 - Popular eBook Platforms
 - Features to Look for in an Load Flow Analysis Using Matlab Thesis Shopediaore
 - User-Friendly Interface
4. Exploring eBook Recommendations from Load Flow Analysis Using Matlab Thesis Shopediaore
 - Personalized Recommendations
 - Load Flow Analysis Using Matlab Thesis Shopediaore User Reviews and Ratings
 - Load Flow Analysis Using Matlab Thesis Shopediaore and Bestseller Lists
5. Accessing Load Flow Analysis Using Matlab Thesis Shopediaore Free and Paid eBooks
 - Load Flow Analysis Using Matlab Thesis Shopediaore Public Domain eBooks
 - Load Flow Analysis Using Matlab Thesis Shopediaore eBook Subscription Services
 - Load Flow Analysis Using Matlab Thesis Shopediaore Budget-Friendly Options
6. Navigating Load Flow Analysis Using Matlab Thesis Shopediaore eBook Formats
 - ePub, PDF, MOBI, and More
 - Load Flow Analysis Using Matlab Thesis Shopediaore Compatibility with Devices
 - Load Flow Analysis Using Matlab Thesis Shopediaore Enhanced eBook Features
7. Enhancing Your Reading Experience
 - Adjustable Fonts and Text Sizes of Load Flow Analysis Using Matlab Thesis Shopediaore
 - Highlighting and Note-Taking Load Flow Analysis Using Matlab Thesis Shopediaore
 - Interactive Elements Load Flow Analysis Using Matlab Thesis Shopediaore

8. Staying Engaged with Load Flow Analysis Using Matlab Thesis Shopediaore
 - Joining Online Reading Communities
 - Participating in Virtual Book Clubs
 - Following Authors and Publishers Load Flow Analysis Using Matlab Thesis Shopediaore
9. Balancing eBooks and Physical Books Load Flow Analysis Using Matlab Thesis Shopediaore
 - Benefits of a Digital Library
 - Creating a Diverse Reading Collection Load Flow Analysis Using Matlab Thesis Shopediaore
10. Overcoming Reading Challenges
 - Dealing with Digital Eye Strain
 - Minimizing Distractions
 - Managing Screen Time
11. Cultivating a Reading Routine Load Flow Analysis Using Matlab Thesis Shopediaore
 - Setting Reading Goals Load Flow Analysis Using Matlab Thesis Shopediaore
 - Carving Out Dedicated Reading Time
12. Sourcing Reliable Information of Load Flow Analysis Using Matlab Thesis Shopediaore
 - Fact-Checking eBook Content of Load Flow Analysis Using Matlab Thesis Shopediaore
 - Distinguishing Credible Sources
13. Promoting Lifelong Learning
 - Utilizing eBooks for Skill Development
 - Exploring Educational eBooks
14. Embracing eBook Trends
 - Integration of Multimedia Elements
 - Interactive and Gamified eBooks

Load Flow Analysis Using Matlab Thesis Shopediaore Introduction

In this digital age, the convenience of accessing information at our fingertips has become a necessity. Whether its research papers, eBooks, or user manuals, PDF files have become the preferred format for sharing and reading documents. However, the cost associated with purchasing PDF files can sometimes be a barrier for many individuals and organizations. Thankfully, there are numerous websites and platforms that allow users to download free PDF files legally. In this article, we will explore some of the best platforms to download free PDFs. One of the most popular platforms to download free PDF files is Project

Gutenberg. This online library offers over 60,000 free eBooks that are in the public domain. From classic literature to historical documents, Project Gutenberg provides a wide range of PDF files that can be downloaded and enjoyed on various devices. The website is user-friendly and allows users to search for specific titles or browse through different categories. Another reliable platform for downloading Load Flow Analysis Using Matlab Thesis Shopediaore free PDF files is Open Library. With its vast collection of over 1 million eBooks, Open Library has something for every reader. The website offers a seamless experience by providing options to borrow or download PDF files. Users simply need to create a free account to access this treasure trove of knowledge. Open Library also allows users to contribute by uploading and sharing their own PDF files, making it a collaborative platform for book enthusiasts. For those interested in academic resources, there are websites dedicated to providing free PDFs of research papers and scientific articles. One such website is Academia.edu, which allows researchers and scholars to share their work with a global audience. Users can download PDF files of research papers, theses, and dissertations covering a wide range of subjects. Academia.edu also provides a platform for discussions and networking within the academic community. When it comes to downloading Load Flow Analysis Using Matlab Thesis Shopediaore free PDF files of magazines, brochures, and catalogs, Issuu is a popular choice. This digital publishing platform hosts a vast collection of publications from around the world. Users can search for specific titles or explore various categories and genres. Issuu offers a seamless reading experience with its user-friendly interface and allows users to download PDF files for offline reading. Apart from dedicated platforms, search engines also play a crucial role in finding free PDF files. Google, for instance, has an advanced search feature that allows users to filter results by file type. By specifying the file type as "PDF," users can find websites that offer free PDF downloads on a specific topic. While downloading Load Flow Analysis Using Matlab Thesis Shopediaore free PDF files is convenient, it's important to note that copyright laws must be respected. Always ensure that the PDF files you download are legally available for free. Many authors and publishers voluntarily provide free PDF versions of their work, but it's essential to be cautious and verify the authenticity of the source before downloading Load Flow Analysis Using Matlab Thesis Shopediaore. In conclusion, the internet offers numerous platforms and websites that allow users to download free PDF files legally. Whether it's classic literature, research papers, or magazines, there is something for everyone. The platforms mentioned in this article, such as Project Gutenberg, Open Library, Academia.edu, and Issuu, provide access to a vast collection of PDF files. However, users should always be cautious and verify the legality of the source before downloading Load Flow Analysis Using Matlab Thesis Shopediaore any PDF files. With these platforms, the world of PDF downloads is just a click away.

FAQs About Load Flow Analysis Using Matlab Thesis Shopediaore Books

What is a Load Flow Analysis Using Matlab Thesis Shopediaore PDF? A PDF (Portable Document Format) is a file format developed by Adobe that preserves the layout and formatting of a document, regardless of the software, hardware, or operating system used to view or print it. **How do I create a Load Flow Analysis Using Matlab Thesis Shopediaore PDF?** There are several ways to create a PDF: Use software like Adobe Acrobat, Microsoft Word, or Google Docs, which often have built-in PDF creation tools. Print to PDF: Many applications and operating systems have a "Print to PDF" option that allows you to save a document as a PDF file instead of printing it on paper. Online converters: There are various online tools that can convert different file types to PDF. **How do I edit a Load Flow Analysis Using Matlab Thesis Shopediaore PDF?** Editing a PDF can be done with software like Adobe Acrobat, which allows direct editing of text, images, and other elements within the PDF. Some free tools, like PDFescape or Smallpdf, also offer basic editing capabilities. **How do I convert a Load Flow Analysis Using Matlab Thesis Shopediaore PDF to another file format?** There are multiple ways to convert a PDF to another format: Use online converters like Smallpdf, Zamzar, or Adobe Acrobats export feature to convert PDFs to formats like Word, Excel, JPEG, etc. Software like Adobe Acrobat, Microsoft Word, or other PDF editors may have options to export or save PDFs in different formats. **How do I password-protect a Load Flow Analysis Using Matlab Thesis Shopediaore PDF?** Most PDF editing software allows you to add password protection. In Adobe Acrobat, for instance, you can go to "File" -> "Properties" -> "Security" to set a password to restrict access or editing capabilities. Are there any free alternatives to Adobe Acrobat for working with PDFs? Yes, there are many free alternatives for working with PDFs, such as: LibreOffice: Offers PDF editing features. PDFsam: Allows splitting, merging, and editing PDFs. Foxit Reader: Provides basic PDF viewing and editing capabilities. How do I compress a PDF file? You can use online tools like Smallpdf, ILovePDF, or desktop software like Adobe Acrobat to compress PDF files without significant quality loss. Compression reduces the file size, making it easier to share and download. Can I fill out forms in a PDF file? Yes, most PDF viewers/editors like Adobe Acrobat, Preview (on Mac), or various online tools allow you to fill out forms in PDF files by selecting text fields and entering information. Are there any restrictions when working with PDFs? Some PDFs might have restrictions set by their creator, such as password protection, editing restrictions, or print restrictions. Breaking these restrictions might require specific software or tools, which may or may not be legal depending on the circumstances and local laws.

Find Load Flow Analysis Using Matlab Thesis Shopediaore :

earth science chapter 31 study answers

[el amor en los tiempos del sida](#)

[el reino de las tres lunas](#)

electrical engineering principles applications 4th hambley

electrotechnics n5 question papers and answers

edexcel international gcse further pure mathematics student book

el llano en llamas english translation

east of eden john steinbeck

[electrical wiring diagram for isuzu dmax engine](#)

earthing system schneider electric extranet

[el tigre y el raton](#)

[electrical installation paper 2 question papers](#)

[e7j engine](#)

[el corredor del laberinto 3 sensacine com](#)

~~[el mal en el pensamiento moderno una historia no convencional de la filosof a filosofia spanish edition](#)~~

Load Flow Analysis Using Matlab Thesis Shopediaore :

Access to Academics: Planning Instruction... by Egbert, Joy L. Access to Academics: Planning Instruction for K-12 Classrooms with ELLs takes a different look at language than most other books - it addresses it as ... Access to Academics: Planning Instruction for K-12... by aa Access to Academics: Planning Instruction for K-12 Classrooms with ELLs · Buy New. \$70.70\$70.70. \$5.99 delivery: Dec 13 - 14. Ships from: VANESSA 99. Sold by: ... Access to Academics: Planning Instruction for K-12 ... Access to Academics: Planning Instruction for K-12 Classrooms with. ELLs takes a different approach to language-addressing it as a tool students must use ... Access to Academics: Planning Instruction for K-12 ... Access to Academics: Planning Instruction for K-12 Classrooms with ELLs takes a different look at language than most other books - it addresses it as ... gisela ernst slavitt joy egbert - access academics planning ... Access to Academics: Planning Instruction for K-12 Classrooms with ELLs (Pearson Resources for Teaching English Learners) by Egbert, Joy L.; Ernst-Slavitt, ... planning instruction for K-12 classrooms with ELLs Access to academics : planning instruction for K-12 classrooms with ELLs | WorldCat.org. Access to Academics Planning Instruction for K 12 ... Jun 1, 2010 — "This book carefully outlines exactly what the classroom teacher needs to do in order to correctly accommodate ELL students in the content area ... Access to Academics Planning Instruction for K-12 ... Full Title: Access to Academics: Planning Instruction for K-12 Classrooms with ELLs ; Edition: 1st edition ; ISBN-13: 978-0138156763 ; Format: Paperback/softback. Access to Academics: Planning Instruction for K-12 ... Access to Academics: Planning Instruction for K-12 Classrooms with ELLs takes a different look at

language than most other books - it addresses it as ... M/EL Book Recommendations Access to Academics: Planning Instruction for K-12 Classrooms with ELLs takes a different look at language than most other books - it addresses it as something ... Biochemistry, 4th Edition Don and Judy Voet explain biochemical concepts while offering a unified presentation of life and its variation through evolution. It incorporates both classical ... Biochemistry, 4th Edition 4th, Voet, Donald, Voet, Judith G. Don and Judy Voet explain biochemical concepts while offering a unified presentation of life and its variation through evolution. Incorporates both classical ... Fundamentals of Biochemistry: Life at the Molecular Level ... Voet, Voet and Pratt's Fundamentals of Biochemistry, 5th Edition addresses the enormous advances in biochemistry, particularly in the areas of structural ... Biochemistry, 4th Edition by Voet, Donald Don and Judy Voet explain biochemical concepts while offering a unified presentation of life and its variation through evolution. It incorporates both classical ... Voet, Fundamentals of Biochemistry: Life at the Molecular ... With bioinformatics exercises, animated process diagrams, and calculation videos to provide a solid biochemical foundation that is rooted in chemistry to ... Biochemistry / Edition 4 by Donald Voet, Judith G. Voet Since its first edition in 1990, over 250,000 students have used Biochemistry by Donald Voet of the University of Pennsylvania and Judith Voet of Swarthmore ... Donald Voet He and his wife, Judith G. Voet, are authors of biochemistry text books that are widely used in undergraduate and graduate curricula. Biochemistry - Donald Voet, Judith G. Voet Dec 1, 2010 — Don and Judy Voet explain biochemical concepts while offering a unified presentation of life and its variation through evolution. It ... Biochemistry book by Donald Voet Biochemistry 3rd edition DONALD VOET, University of Pennsylvania, USA and JUDITH G. VOET, Swarthmore College, USA Biochemistry is a modern classic that has ... Biochemistry by J.G D. and Voet - Hardcover - 2011 John Wiley and Sons, 2011. This is an ex-library book and may have the usual library/used-book markings inside. This book has hardback covers. Intermediate Algebra: Dugopolski, Mark Mark Dugopolski. Intermediate Algebra. 7th Edition. ISBN-13: 978-0073384573, ISBN-10: 0073384577. 4.3 4.3 out of 5 stars 48 Reviews. Intermediate Algebra. Intermediate Algebra by Dugopolski, Mark. [2011, 7th ... Buy Intermediate Algebra by Dugopolski, Mark. [2011, 7th Edition.] Hardcover on Amazon.com ☐ FREE SHIPPING on qualified orders. Intermediate Algebra | Buy | 9780073384573 Intermediate Algebra 7th edition ; ISBN-13: 9780073384573 ; Authors: Mark Dugopolski ; Full Title: Intermediate Algebra ; Edition: 7th edition ; ISBN-13: 978- ... Intermediate Algebra Mark Dugopolski Buy Intermediate Algebra By Mark Dugopolski Isbn 0073384577 9780073384573 7th edition. ... Algebra by Mark Dugopolski \$206.00 \$13.95. College Algebra ... Intermediate Algebra 7th edition (9780073384573) Buy Intermediate Algebra 7th edition (9780073384573) by Mark Dugopolski for up to 90% off at Textbooks.com. Browse Books: Mathematics / Algebra / Intermediate Student Workbook for Intermediate Algebra with Applications, Multimedia Edition, 7th By Maria H. ... Intermediate Algebra By Mark Dugopolski Cover Image. BookFinder.com: Search Results (Matching Titles) by Mark Dugopolski (2007) Hardcover [New/Used]; Intermediate Algebra ... SAMPLE COPY - Annotated Instructor's Edition - Intermediate Algebra, seventh edition ... Books by Mark Dugopolski

Elementary and Intermediate Algebra(3rd Edition) by Mark Dugopolski, Business Week Magazine Hardcover, 1,096 Pages, Published 2008 by Mcgraw-Hill Science ... Intermediate Algebra Seventh Edition By Mark Dugopolski Sep 19, 2019 — Intermediate Algebra Seventh Edition By Mark Dugopolski. 2019-09-19. Elementary and Intermediate Algebra : Concepts and Applications. Edition: ... Teachers Edition Intermediate Algebra by Mark Dugopolski ... Teachers Edition Intermediate Algebra by Mark Dugopolski (2011 Hardcover) 7th. Best Selling in Study Guides & Test Prep.