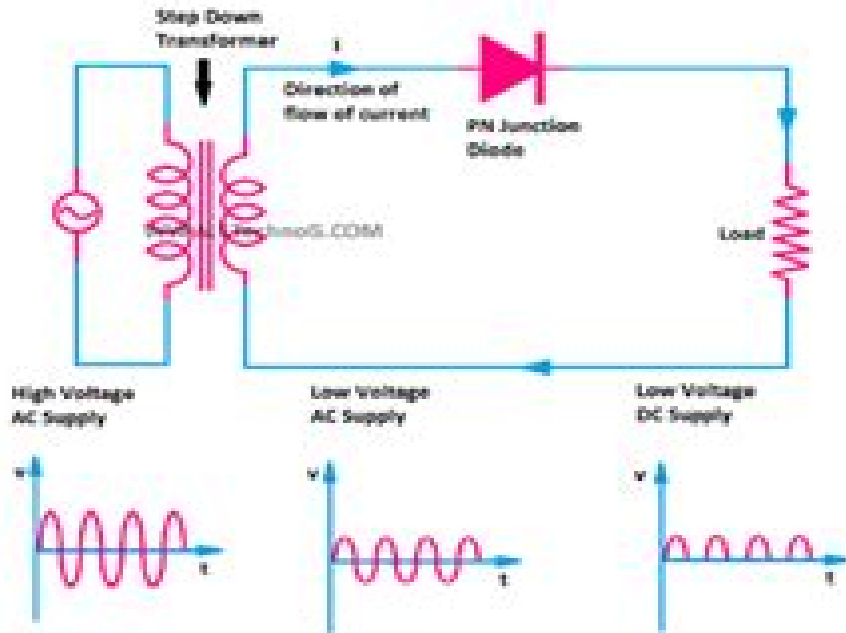


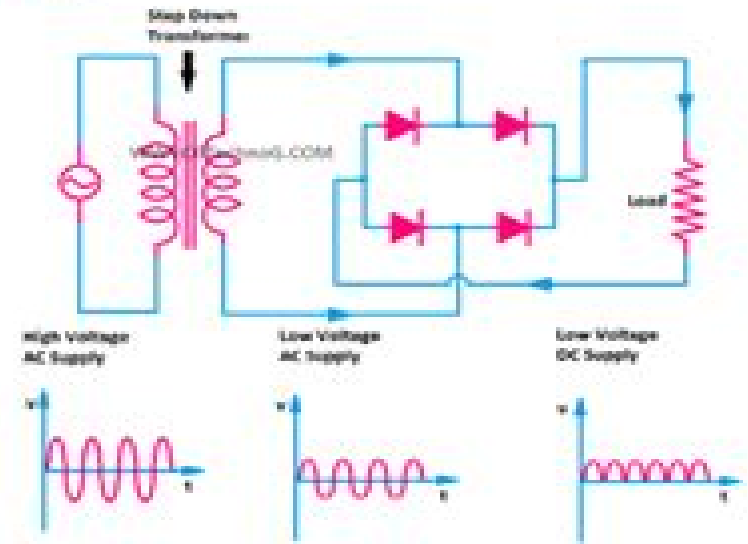
Important Electronic Circuits

Electronics



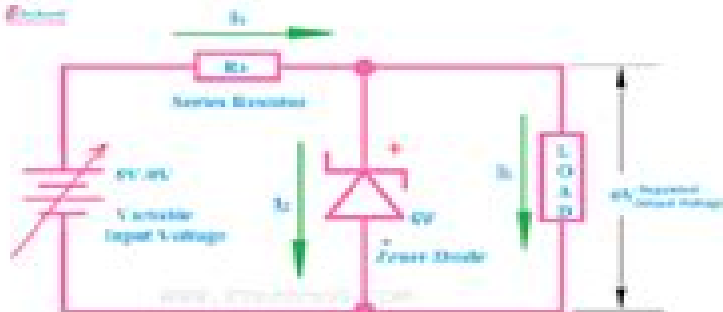
Important Electronic Circuit 1 : Half Wave Rectifier

Electronics

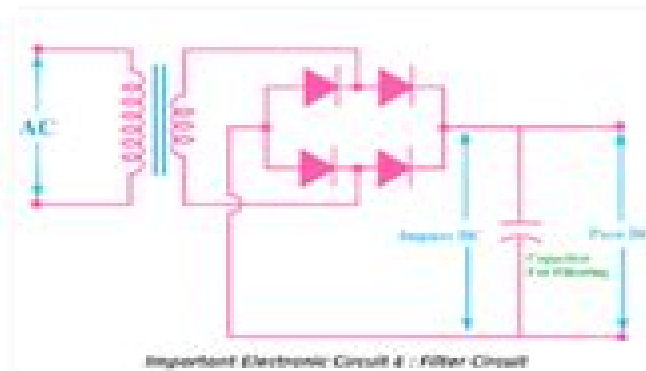


Important Electronic Circuit 2 : Full Wave Rectifier

Electronics



Important Electronic Circuit 3 : Voltage Regulator



Important Electronic Circuit 4 : Filter Circuit

Circuit Diagram Guide

Lingsheng Yao



Circuit Diagram Guide:

Ignite the flame of optimism with Get Inspired by is motivational masterpiece, **Circuit Diagram Guide** . In a downloadable PDF format (PDF Size: *), this ebook is a beacon of encouragement. Download now and let the words propel you towards a brighter, more motivated tomorrow.

https://py.bijouxmedusa.com/book/scholarship/HomePages/chapter_test_b_cell_reproduction.pdf

Table of Contents Circuit Diagram Guide

1. Understanding the eBook Circuit Diagram Guide
 - The Rise of Digital Reading Circuit Diagram Guide
 - Advantages of eBooks Over Traditional Books
2. Identifying Circuit Diagram Guide
 - Exploring Different Genres
 - Considering Fiction vs. Non-Fiction
 - Determining Your Reading Goals
3. Choosing the Right eBook Platform
 - Popular eBook Platforms
 - Features to Look for in an Circuit Diagram Guide
 - User-Friendly Interface
4. Exploring eBook Recommendations from Circuit Diagram Guide
 - Personalized Recommendations
 - Circuit Diagram Guide User Reviews and Ratings
 - Circuit Diagram Guide and Bestseller Lists
5. Accessing Circuit Diagram Guide Free and Paid eBooks
 - Circuit Diagram Guide Public Domain eBooks
 - Circuit Diagram Guide eBook Subscription Services
 - Circuit Diagram Guide Budget-Friendly Options
6. Navigating Circuit Diagram Guide eBook Formats

- ePub, PDF, MOBI, and More
 - Circuit Diagram Guide Compatibility with Devices
 - Circuit Diagram Guide Enhanced eBook Features
7. Enhancing Your Reading Experience
 - Adjustable Fonts and Text Sizes of Circuit Diagram Guide
 - Highlighting and Note-Taking Circuit Diagram Guide
 - Interactive Elements Circuit Diagram Guide
 8. Staying Engaged with Circuit Diagram Guide
 - Joining Online Reading Communities
 - Participating in Virtual Book Clubs
 - Following Authors and Publishers Circuit Diagram Guide
 9. Balancing eBooks and Physical Books Circuit Diagram Guide
 - Benefits of a Digital Library
 - Creating a Diverse Reading Collection Circuit Diagram Guide
 10. Overcoming Reading Challenges
 - Dealing with Digital Eye Strain
 - Minimizing Distractions
 - Managing Screen Time
 11. Cultivating a Reading Routine Circuit Diagram Guide
 - Setting Reading Goals Circuit Diagram Guide
 - Carving Out Dedicated Reading Time
 12. Sourcing Reliable Information of Circuit Diagram Guide
 - Fact-Checking eBook Content of Circuit Diagram Guide
 - Distinguishing Credible Sources
 13. Promoting Lifelong Learning
 - Utilizing eBooks for Skill Development
 - Exploring Educational eBooks
 14. Embracing eBook Trends
 - Integration of Multimedia Elements
 - Interactive and Gamified eBooks

Circuit Diagram Guide Introduction

In this digital age, the convenience of accessing information at our fingertips has become a necessity. Whether its research papers, eBooks, or user manuals, PDF files have become the preferred format for sharing and reading documents. However, the cost associated with purchasing PDF files can sometimes be a barrier for many individuals and organizations. Thankfully, there are numerous websites and platforms that allow users to download free PDF files legally. In this article, we will explore some of the best platforms to download free PDFs. One of the most popular platforms to download free PDF files is Project Gutenberg. This online library offers over 60,000 free eBooks that are in the public domain. From classic literature to historical documents, Project Gutenberg provides a wide range of PDF files that can be downloaded and enjoyed on various devices. The website is user-friendly and allows users to search for specific titles or browse through different categories. Another reliable platform for downloading Circuit Diagram Guide free PDF files is Open Library. With its vast collection of over 1 million eBooks, Open Library has something for every reader. The website offers a seamless experience by providing options to borrow or download PDF files. Users simply need to create a free account to access this treasure trove of knowledge. Open Library also allows users to contribute by uploading and sharing their own PDF files, making it a collaborative platform for book enthusiasts. For those interested in academic resources, there are websites dedicated to providing free PDFs of research papers and scientific articles. One such website is Academia.edu, which allows researchers and scholars to share their work with a global audience. Users can download PDF files of research papers, theses, and dissertations covering a wide range of subjects. Academia.edu also provides a platform for discussions and networking within the academic community. When it comes to downloading Circuit Diagram Guide free PDF files of magazines, brochures, and catalogs, Issuu is a popular choice. This digital publishing platform hosts a vast collection of publications from around the world. Users can search for specific titles or explore various categories and genres. Issuu offers a seamless reading experience with its user-friendly interface and allows users to download PDF files for offline reading. Apart from dedicated platforms, search engines also play a crucial role in finding free PDF files. Google, for instance, has an advanced search feature that allows users to filter results by file type. By specifying the file type as "PDF," users can find websites that offer free PDF downloads on a specific topic. While downloading Circuit Diagram Guide free PDF files is convenient, its important to note that copyright laws must be respected. Always ensure that the PDF files you download are legally available for free. Many authors and publishers voluntarily provide free PDF versions of their work, but its essential to be cautious and verify the authenticity of the source before downloading Circuit Diagram Guide. In conclusion, the internet offers numerous platforms and websites that allow users to download free PDF files legally. Whether its classic literature, research papers, or magazines, there is something for everyone. The platforms mentioned in this article, such as Project Gutenberg, Open Library, Academia.edu, and Issuu, provide access to a vast collection of PDF files. However, users should always be cautious

and verify the legality of the source before downloading Circuit Diagram Guide any PDF files. With these platforms, the world of PDF downloads is just a click away.

FAQs About Circuit Diagram Guide Books

What is a Circuit Diagram Guide PDF? A PDF (Portable Document Format) is a file format developed by Adobe that preserves the layout and formatting of a document, regardless of the software, hardware, or operating system used to view or print it. **How do I create a Circuit Diagram Guide PDF?** There are several ways to create a PDF: Use software like Adobe Acrobat, Microsoft Word, or Google Docs, which often have built-in PDF creation tools. Print to PDF: Many applications and operating systems have a "Print to PDF" option that allows you to save a document as a PDF file instead of printing it on paper. Online converters: There are various online tools that can convert different file types to PDF. **How do I edit a Circuit Diagram Guide PDF?** Editing a PDF can be done with software like Adobe Acrobat, which allows direct editing of text, images, and other elements within the PDF. Some free tools, like PDFescape or Smallpdf, also offer basic editing capabilities. **How do I convert a Circuit Diagram Guide PDF to another file format?** There are multiple ways to convert a PDF to another format: Use online converters like Smallpdf, Zamzar, or Adobe Acrobats export feature to convert PDFs to formats like Word, Excel, JPEG, etc. Software like Adobe Acrobat, Microsoft Word, or other PDF editors may have options to export or save PDFs in different formats. **How do I password-protect a Circuit Diagram Guide PDF?** Most PDF editing software allows you to add password protection. In Adobe Acrobat, for instance, you can go to "File" -> "Properties" -> "Security" to set a password to restrict access or editing capabilities. Are there any free alternatives to Adobe Acrobat for working with PDFs? Yes, there are many free alternatives for working with PDFs, such as: LibreOffice: Offers PDF editing features. PDFsam: Allows splitting, merging, and editing PDFs. Foxit Reader: Provides basic PDF viewing and editing capabilities. How do I compress a PDF file? You can use online tools like Smallpdf, ILovePDF, or desktop software like Adobe Acrobat to compress PDF files without significant quality loss. Compression reduces the file size, making it easier to share and download. Can I fill out forms in a PDF file? Yes, most PDF viewers/editors like Adobe Acrobat, Preview (on Mac), or various online tools allow you to fill out forms in PDF files by selecting text fields and entering information. Are there any restrictions when working with PDFs? Some PDFs might have restrictions set by their creator, such as password protection, editing restrictions, or print restrictions. Breaking these restrictions might require specific software or tools, which may or may not be legal depending on the circumstances and local laws.

Find Circuit Diagram Guide :**chapter test b cell reproduction**

chimie le compagnon pcsi essentiel du cours meacutethodes erreurs agrave eacuteviter qcm exercices et sujets de concours

~~chapter 3 descriptive statistics numerical measures~~

chapter 8 covalent bonding workbook answers

chapter 2 measurements and calculations integrated

chapter tests and answer keys understanding sociology**chemfax lab answers oxidation reduction titrations**

~~chapter2 section 2 reinforcement wave properties answers~~

chemical kinetics and reactor design prentice hall series in the physical and chemical engineering sciences

china shakes the world a titans rise and troubled future challenge for america james kyng

chevrolet colorado gmc canyon 2004 2012 repair manual haynes automotive repair manuals paperback april 2 2014

chemical engineering thermodynamics yvc rao

chemistry upper secondary syllabus home educationpng

chapter 3 parts of speech overview answers

chile and easter island a travel survival kit

Circuit Diagram Guide :

bricolez en toute sa c curita c conseils et astuc pdf vla ramtech - Feb 16 2022

web mar 23 2023 any of our books taking into consideration this one merely said the bricolez en toute sa c curita c conseils

et astuc pdf is universally compatible in imitation of any devices to read the process of learning mathematics l r chapman

2016 06 06 the process of learning mathematics is a collection of essays from a two term course of

bricolez en toute sa c curita c conseils et astuc copy - Nov 27 2022

web bricolez en toute sa c curita c conseils et astuc iucn welcomes its first seven subnational government members iucn mar

03 2017 mar 03 2017 iucn welcomes its first seven subnational government members iucn l onu adopte enfin une résolution

sur l ia et les droits humains tunisie numérique jun 18 2018 les conseils du ministère

free bricolez en toute sa c curita c conseils et astuc - Jul 24 2022

web daily news 24 06 2022 european commission désétiquetage de l allergie à la pénicilline chez les personnes cmaj may 22

2023 désétiquetage de l allergie à la pénicilline chez les personnes cmaj environment agency raises its plastic pollution game

for the winter gov uk feb 20 2018

bricolez en toute sa c curita c conseils et astuc 2022 whm - Jan 30 2023

web bricolez en toute sa c curita c conseils et astuc can be one of the options to accompany you next having extra time it will not waste your time agree to me the e book will enormously spread you new situation to read just invest tiny get older to right of entry this on line broadcast bricolez en toute sa c curita c conseils et astuc as well

bricolez en toute sa c curita c conseils et astuc 2023 - Sep 06 2023

web bricolez en toute sa c curita c conseils et astuc tales from the tundra ibi kaslik 2018 06 05 these fascinating stories will capture the imagination of young readers and introduce them to the rich mythology of the canadian inuit crypt of the vampire dave morris 2013 10 in the middle of a lonely wood as night falls you come

le bricolage de a à z tout pour tout bricoler de la voiture à la - Mar 20 2022

web tout pour tout bricoler de la voiture à la maison en passant par le jardin et la poterie découvrez des articles complets et détaillés

bricolez en toute sa c curita c conseils et astuc alexandre - Oct 07 2023

web bricolez en toute sa c curita c conseils et astuc if you ally compulsion such a referred bricolez en toute sa c curita c conseils et astuc book that will manage to pay for you worth acquire the unconditionally best seller from us currently from several preferred authors if you desire to droll books lots of novels tale jokes and more

bricolez en toute sécurité conseils et astuces by all the - Jun 03 2023

web browse the bricolez en toute sécurité conseils et astuces by all the content noblishing join that we have the funding for here and check out the link its for that cause undoubtedly basic and frustation pche la mouche bricoler c est bien bricoler protégé c est mieux pratiqué en toute sécurité le bricolage peut être une

le bricolage avec bricoletout - May 22 2022

web le bricolage a gagné les cœurs des français et la tendance s accroît d année en année refaire le sol poser un parquet ou le carrelage fixer des étagères peindre un mur tous ces travaux de construction ou de rénovation ont le vent en poupe seul bémol le bricolage ne s improvise pas et requiert quelques prérequis

22 trucs pour bricoleurs en herbe trucs et bricolages - Apr 20 2022

web 10 récupérez toutes les vis et tous les clous au sol en fixant un aimant au bout d un bâton placez un sac ziploc sur le bout de l accessoire ramassez les vis et clou au sol à travers la poussière et une fois terminé renversez le sac pour ranger les vis et clous dans le sac source familyhandyman com

bricolez en toute sa c curita c conseils et astuc l r chapman - May 02 2023

web bricolez en toute sa c curita c conseils et astuc is additionally useful you have remained in right site to start getting this

info acquire the bricolez en toute sa c curita c conseils et astuc associate that we provide here and check out the link you could purchase lead bricolez en toute sa c curita c conseils et astuc or get it as soon as

bricolez en toute sa c curita c conseils et astuc 2022 mail - Aug 25 2022

web this bricolez en toute sa c curita c conseils et astuc as one of the most keen sellers here will no question be among the best options to review bricolez en toute sa c curita c conseils et astuc downloaded from mail botswanalaws com by guest

bricolez en toute sa c curita c conseils et astuc pdf - Apr 01 2023

web 4 bricolez en toute sa c curita c conseils et astuc 2022 10 23 demande de qualité relationnelle est encore plus forte dans un monde incertain voire menaçant pouvoir être soi même n est possible que grâce à un entourage sécurisant et bienveillant grâce à des proches mon petit editeur accompanied by lyrical poetry this collection

bricolez en toute sa c curita c conseils et astuc copy - Oct 27 2022

web bricolez en toute sa c curita c conseils et astuc conseil et relation annonceurs mar 27 2023 journal of the legislative assembly of the province of canada feb 02 2021 droit des aides d etat dans la ce jul 27 2020 a uniquely important contribution to the debate on ec state aid this book captures the direct knowledge and

bricolez en toute sa c curita c conseils et astuc copy - Dec 29 2022

web pages of bricolez en toute sa c curita c conseils et astuc a mesmerizing literary creation penned by a celebrated wordsmith readers embark on an enlightening odyssey unraveling the intricate significance of language and its enduring impact on our lives in this appraisal we shall explore the

bricolez en toute sa c curita c conseils et astuc pdf - Feb 28 2023

web as this bricolez en toute sa c curita c conseils et astuc pdf it ends going on physical one of the favored book bricolez en toute sa c curita c conseils et astuc pdf collections that we have this is why you remain in the best website to look the amazing ebook to have touch and blindness morton a heller 2006 04 21

bricolez en toute sa c curita c conseils et astuc - Jul 04 2023

web 4 bricolez en toute sa c curita c conseils et astuc 2023 07 28 conjoint soit d un parent À l aide de centaines d entretiens et de façon plus inattendue en prenant appui sur des films ou sur des romans l auteur montre comment s opère cette transformation individuelle grâce à une socialisation originale il analyse d une

bricolez en toute sa c curita c conseils et astuc anicius - Aug 05 2023

web aug 7 2023 bricolez en toute sa c curita c conseils et astuc when people should go to the book stores search foundation by shop shelf by shelf it is in reality problematic this is why we present the book compilations in this website it will categorically ease you to look guide bricolez en toute sa c curita c conseils et astuc as you such as

trucs et bricolages - Jun 22 2022

web des trucs faciles à faire soi même ainsi que des bricolages pour tous âges
[traduction en turc exemples français reverso context](#) - Sep 25 2022

web traductions en contexte de bricolage en français turc avec reverso context magasin de bricolage traduction context
correcteur synonymes conjugaison conjugaison documents dictionnaire dictionnaire collaboratif grammaire expressio reverso
corporate context téléchargez notre application gratuite

pressure points on and for the face healthline - Sep 20 2023

web aug 30 2019 points on the front of your face include li20 gv26 yintang points on the side of your face include taiyang
sj21 sj17 here are some tips from logman on how to find these pressure points
[free digital acupressure point chart](#) - Dec 11 2022

web click the button below learn acupressure points acupuncture points meridian therapy 5 element chart trigger point chart
[free face acupressure points chart 6 acupoints that help](#) - Nov 10 2022

web dec 11 2022 contents hide 1 how do you do facial acupressure 2 what are the facial pressure points 2 1 acupoint ren 24
other names the conception vessel 24 cheng jiang saliva container 2 2 acupoint st 4 other names stomach 4 di cang earth
granary 2 3 acupoint ren 22 other names the conception vessel

how to work the acupressure points on your face space nk - Jan 12 2023

web jan 23 2023 the effect this is a powerful point on the stomach channel applying consistent pressure at this point with
the index or ring finger and pulsing for 30 60 seconds has a direct impact on the digestion when patients experience
breakouts or reactive skin in this area it indicates to me that their digestion might be a little off balance
acupuncture points on your head neck face smarter - Jul 06 2022

web what acupuncture points are located on the head neck and face on this page i ll show you images from the acupuncture
points guide of every meridian that contains acupuncture points on the head neck and face there are six primary meridians
that contain points on the head neck and face

facial reflexology benefits common points tools more - Apr 15 2023

web jan 8 2021 in addition to facial mapping there are acupoints on the face that can be used for acupuncture or
acupressure just like acupoints on the body these points have a variety of therapeutic

facial reflexology acupressure points on the face and skull - Aug 19 2023

web oct 18 2023 face chart facial reflexology with facial reflexology work on the points that are sore and you ll work on your
health at the same time facial acupressure points have been used for thousands of years for facial rejuvenation learn more
facial reflexology chart that illustrates the acupressure points on the face and skull

[facial pressure points easy at home beauty hack the](#) - Mar 14 2023

web sep 7 2020 the process is simple soothing and has some major benefits from wiping away fine lines and blasting stagnation to boosting energy and bringing it into balance learn all about key facial pressure points below sometimes even the best products are not enough alone to cure skin problems

list of acupuncture points wikipedia - Mar 02 2022

web each acupuncture point is identified by the meridian on which it is located and its number in the point sequence on that channel for example lu 9 identifies the 9th acupuncture point on the lung meridian

8 acupressure points on the face for glowing skin that you - Sep 08 2022

web dec 11 2022 8 acupressure points on the face for glowing skin that you must know contents hide 1 can acupressure help skin 2 what are the acupressure points for glowing skin 2 1 acupoint li 20 other names large intestine 20 ying xiang welcome fragrance 2 2 acupoint si 18 other names small intestine 18 quan

face pressure points how to give yourself a facial - Jul 18 2023

web face acupressure points are biologically active points located on the face the human face consists of 8 meridians internal energy channels woven into a dense energy network facial acupressure points are located in small pits in the bones and joints among the tendons and muscle fibers where you can feel your pulse

acupressure which points relieve pain medical news today - Feb 13 2023

web aug 29 2023 hegu zhongzhu when not to use pressure points summary acupressure involves applying pressure to certain acupoints throughout the body applying pressure to these points can help relieve

acupressure chart of health - Feb 01 2022

web acupressure chart shanzhong cv 17 or ren 17 this point is located midway between the nipples this point is useful for asthma chest pain breast pain palpitation acid reflux indigestion and anxiety xuehai sp 10 this point is located in the inner thigh 3 finger widths above the knee cap in the muscle depression

acupressure facial rejuvenation points chart acupuncture - May 04 2022

web the chart contains 16 acupressure points on the face with point locations conditions helped 10 ear master control points with conditions helped and frequencies used for microcurrent therapy and essential oils used in facial massage listed by skin condition normal oily dry and combination skin

5 effective acupressure points for facelift to look younger - Aug 07 2022

web nov 17 2018 how to activate acupressure points on face just follow the guidelines and you ll be able to activate the acupressure points on the face for best effects use the balls of the fingertips or the palms of the hands and firm yet gentle pressure on each point for 10 seconds don t pinch on the points but be gentle on your skin

5 effective facial acupressure points for wrinkles that - Apr 03 2022

web dec 11 2022 st 4 is included on our face acupressure points chart there we discuss other acupoints that benefit the face the earth granary acupoint is located on the face and is easy to find simply find the corner of your mouth and move your finger outwards about half a centimeter

acupressure points how to find them self acupressure - May 16 2023

web acupressure and acupuncture charts show where the meridian lines are on the body and where the points are located along them the acupressure points are where the energy gets blocked and are also what you use to best release pain or tension

acupressure basics and fundamentals for beginners - Oct 09 2022

web there are over 360 traditional acupressure points and most of these are found on both sides of the body totaling over 700 points in all our bodies are alive with vibrant energy we can balance and enhance this healing energy with acupressure to learn more about the acupressure meridians listen to the 12 meridian visualizations mp3

want glowing beautiful skin give yourself a facial - Jun 05 2022

web my go to facial acupressure points for brighter rejuvenated skin 1 si bai four whites benefits of this facial acupressure point besides addressing eye problems and facial neurological issues consistent massaging of this facial acupressure point can yield brighter more rejuvenated skin

facial acupressure chart acupressure points on the face and - Jun 17 2023

web jul 14 2015 this facial acupressure chart shows all the acupressure points located on the face and on the skull many meridians run across the face

isuzu truck workshop manuals pdf truckmanualshub com - Oct 09 2022

web oct 5 2018 isuzu pickup 4 4 efi fuse box wiring diagram gif 106 1kb download isuzu ltg pdf manual dtcs pdf 2mb download isuzu novociti user manual pdf 2 1mb download isuzu truck body builder guide 2003 pdf 5 9mb download isuzu truck body builder guide pdf 47 1mb download all isuzu trucks can be

diagram isuzu d max electrical wiring diagram youtube - Aug 07 2022

web isuzu d max electrical wiring diagram isuzu d max electrical wiring harness isuzu d max electrical service manual isuzu d max electrical user manual isuzu d max

isuzu d max mu x service repair manuals free pdf - Jan 12 2023

web isuzu mu x rf20 2017 2020 system wiring diagrams rhd lhd this manual has been prepared to help inspection and service works involving electric wiring of the following model be done efficiently left hand drive lhd

isuzu amigo pick ups rodeo trooper 1981 96 wiring diagrams - Jun 05 2022

web share access our free wiring diagrams repair guide for isuzu amigo pick ups rodeo trooper 1981 1996 through autozone

rewards these diagrams include fig 1 engine control wiring diagram 1996 honda 2.0l engine fig 2 chassis wiring diagram 1996 honda fig 3 chassis wiring diagram continued 1996 honda

isuzu dmax wiring diagram wiring digital and schematic - Dec 11 2022

web jun 10 2021 the isuzu d max wiring diagram is divided into three main sections the engine wiring the body wiring and the electronic control unit ecu the engine wiring section of the diagram contains all of the wiring associated with the engine including the fuel lines sparkplugs and various sensors this section also includes information about

isuzu mu x rf20 2017 2020 system wiring diagrams rhd lhd - May 16 2023

web isuzu mu x rf20 2017 2020 system wiring diagrams rhd lhd this manual has been prepared to help inspection and service works involving electric wiring of the following model be done efficiently left hand drive lhd

isuzu service repair manuals free pdf - Jul 18 2023

web electrical wiring diagrams isuzu d max mu x isuzu mu x rf20 2017 2020 system wiring diagrams rhd lhd this manual has been prepared to help inspection and service works involving electric wiring of the following

2019 isuzu nrr wiring diagrams wiringg flow line - May 04 2022

web dec 9 2022 the 2019 isuzu nrr wiring diagram is easily accessible online with it owners can quickly identify and troubleshoot problems with the system they just need to use the diagrams to identify the source of the problem and then they can locate the appropriate parts to fix it

isuzu workshop repair owners manuals 100 free - Sep 20 2023

web our isuzu automotive repair manuals are split into five broad categories isuzu workshop manuals isuzu owners manuals isuzu wiring diagrams isuzu sales brochures and general miscellaneous isuzu downloads the vehicles with the most documents are the other model trooper and ascender

isuzu service manual pdf wiring diagrams - Oct 21 2023

web we reserve the right to make changes at any time without notice this manual has been prepared to acquaint you with the operation and maintenance of your isuzu vehicle and to provide important safety information it includes a maintenance schedule and is supplemented with a warranty and owner assistance information booklet

isuzu truck service manuals fault codes and wiring diagrams - Sep 08 2022

web needing info on the new lt625 ac repair systems isuzu is a japanese automobile manufacturer and is considered one of the world s largest manufacturers of medium and heavy buses and trucks isuzu trucks have now conquered the

isuzu car pdf manual wiring diagram fault codes dtc - Aug 19 2023

web isuzu car pdf manual wiring diagram fault codes dtc introduction abarth acura acura fault codes aixam alfa romeo amc anadol ariel aro asia aston martin audi audi fault codes austin autobianchi baic bajaj baojun barkas bedford bentley birkin

bmw bmw fault codes borgward brilliance bristol bugatti buick byd cadillac caterham

[all isuzu compatible switches wiring diagrams](#) - Mar 02 2022

web all isuzu compatible switches wiring diagrams isuzu gen 1 isuzu gen 3 more information found on the isuzu product page isuzu truck f n series shop categories rocker switches pre built panels usb chargers volt displays 12v accessories toggle switches shop categories aluminium panels

[isuzu engine service repair manuals and wiring diagrams pdf](#) - Mar 14 2023

web sep 23 2022 isuzu engine service repair manuals and wiring diagrams pdf isuzu engine 4hk 1 6hk 1 4hk1x 4jj1t a 4bg1 a 4bg1t a 6bg1 a 6bg1t a 4jg1 owner s operators service and maintenance manuals error codes list dtc spare parts manuals catalogues wiring diagrams schematics free download pdf

[isuzu repair manuals wiring diagrams pdf free download](#) - Apr 03 2022

web they are widely used in various automotive and industrial sectors isuzu offers a variety of models including pickup trucks trucks and buses one of the most popular isuzu models is the isuzu d max this isuzu wiring diagrams 1992 isuzu pickup 4x4 efi fuse box diagram 1992 isuzu pickup 4x4 efi fuse box diagram 1992 isuzu pickup 4x4 efi

[isuzu wiring diagrams car electrical wiring diagram](#) - Apr 15 2023

web isuzu elf nlr nmr nnr npr nps nqr trucks wiring diagrams nlr nmr nnr npr nps nqr elf trucks controller area network can schematics nlr nmr nnr npr nps nqr elf trucks starter and charge chains wiring diagram

[starting charging system wiring diagram isuzu npr youtube](#) - Nov 10 2022

web may 22 2022 starting charging system wiring diagram isuzu npr for today s video ang ibabahagi ko sa inyo ay ang starting at charging sytem wiring diagram ng isuzu npr sa video na ito isa isahin kong

isuzu truck service manuals pdf wiring diagrams - Jul 06 2022

web there re some isuzu truck manuals pdf wiring diagrams above the page elf n series one of the most popular isuzu trucks at the time was the nqr 71 75 today it was replaced by the npr 75l model with a carrying capacity of up to 4 7 tons

isuzu n series wiring diagrams wiring digital and schematic - Jun 17 2023

web sep 10 2021 in this article we ll discuss what isuzu n series wiring diagrams are how they work and how they can help you stay safe while driving what are isuzu n series wiring diagrams isuzu n series wiring diagrams are schematic drawings that show the connections between different circuits and components in the electrical system

isuzu n series elf trucks wiring diagrams - Feb 13 2023

web isuzu n series elf trucks wiring diagrams car electrical wiring diagram car truck motorcycle ewd fuses relay isuzu n series elf trucks wiring diagrams nlr nmr nnr npr nps nqr elf trucks controller area network can schematics nlr nmr nnr npr nps nqr elf trucks starter and charge chains

