

# Activity - Practice with Complex Circuits

$$V = IR$$

## Part I

In the circuits below, the voltage of the battery is 12 V and each resistor is 2 Ω. For each circuit:

- Describe the circuit and any assumptions you make. Which resistors are in series? Which are in parallel?
- Calculate the current through each resistor and the voltage across each resistor.

Total:  $8 + 2 = 10$

$$A = \frac{2 \Omega}{4.67} (12)$$

5.13

$$2 + 2 = 4 \Omega \text{ (series)} \quad \frac{1}{2} + \frac{1}{2} + \frac{1}{2} = \frac{3}{2} = \frac{2}{3} \text{ (parallel)}$$

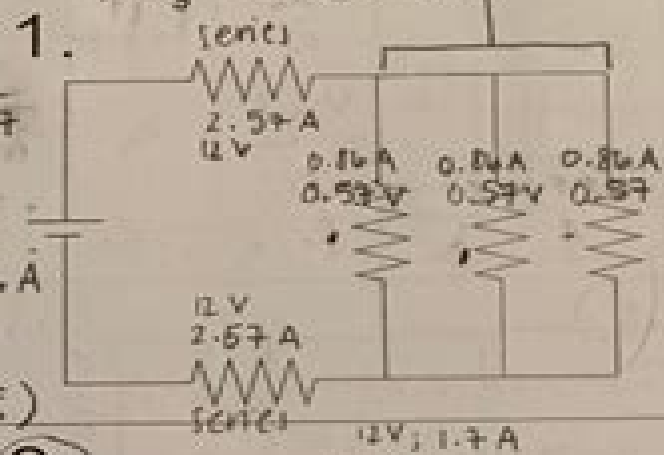
$$4 + \frac{2}{3} = 4.67 \Omega = \text{total}$$

Series =  $2 + 2 + 2 + 2 = 8 \Omega$   
 Parallel =  $\frac{1}{2} = 2 \Omega$   
 $V = IR \rightarrow I = \frac{V}{R} = \frac{12}{10} = 1.2 \text{ A}$

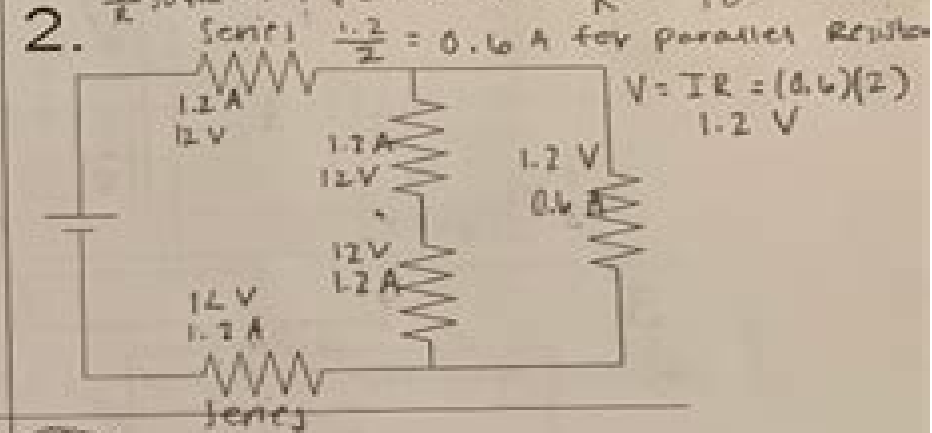
$V = IR$   
 $I = \frac{V}{R} = \frac{12}{4.67}$   
 $I = 2.57$

$$\frac{2.57 \text{ A}}{3} = 0.86 \text{ A}$$

$V = IR$   
 $V = (0.86) (2)$   
 $V = 0.57 \text{ V}$



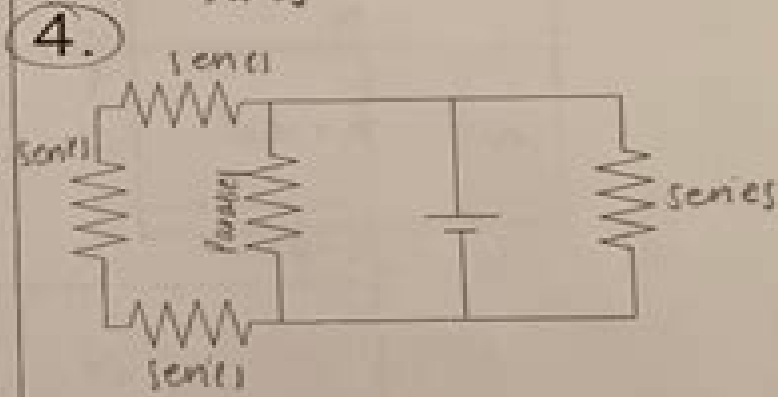
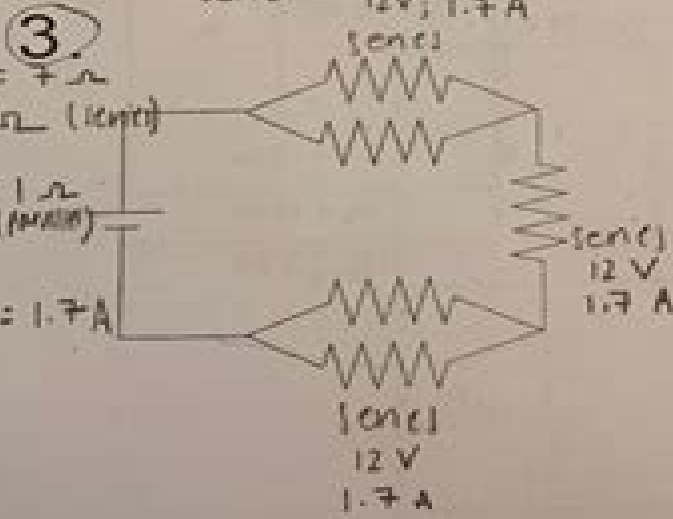
2.  $\frac{1.2}{2} = 0.6 \text{ A for parallel resistor}$   
 $V = IR = (0.6)(2) = 1.2 \text{ V}$



3. Total R = 6 + 1 = 7 Ω  
 $2 + 2 + 2 = 6 \Omega$  (series)

$$\frac{1}{2} + \frac{1}{2} = \frac{2}{2} = 1 \Omega \text{ (parallel)}$$

$V = IR$   
 $I = \frac{V}{R} = \frac{12}{7} = 1.7 \text{ A}$



# Circuits Circuit Analysis Answers Aplusphysics Yaoshiore

**Zhe Xu**



**Circuits Circuit Analysis Answers Aplusphysics Yaoshiore:**

## Enjoying the Melody of Phrase: An Psychological Symphony within **Circuits Circuit Analysis Answers Aplusphysics Yaoshiore**

In a world taken by displays and the ceaseless chatter of instantaneous connection, the melodic elegance and psychological symphony developed by the written term usually disappear into the backdrop, eclipsed by the persistent sound and disruptions that permeate our lives. Nevertheless, located within the pages of **Circuits Circuit Analysis Answers Aplusphysics Yaoshiore** an enchanting fictional value brimming with fresh thoughts, lies an immersive symphony waiting to be embraced. Crafted by an outstanding musician of language, this charming masterpiece conducts visitors on an emotional trip, skillfully unraveling the concealed melodies and profound impact resonating within each cautiously constructed phrase. Within the depths of this touching evaluation, we can examine the book is central harmonies, analyze its enthralling publishing type, and submit ourselves to the profound resonance that echoes in the depths of readers souls.

[https://py.bijouxmedusa.com/data/Resources/index.jsp/Cybersecurity\\_Tools\\_For\\_Startups\\_53\\_906\\_Cybersecurity\\_Trends\\_For.pdf](https://py.bijouxmedusa.com/data/Resources/index.jsp/Cybersecurity_Tools_For_Startups_53_906_Cybersecurity_Trends_For.pdf)

### **Table of Contents Circuits Circuit Analysis Answers Aplusphysics Yaoshiore**

1. Understanding the eBook Circuits Circuit Analysis Answers Aplusphysics Yaoshiore
  - The Rise of Digital Reading Circuits Circuit Analysis Answers Aplusphysics Yaoshiore
  - Advantages of eBooks Over Traditional Books
2. Identifying Circuits Circuit Analysis Answers Aplusphysics Yaoshiore
  - Exploring Different Genres
  - Considering Fiction vs. Non-Fiction
  - Determining Your Reading Goals
3. Choosing the Right eBook Platform
  - Popular eBook Platforms
  - Features to Look for in an Circuits Circuit Analysis Answers Aplusphysics Yaoshiore
  - User-Friendly Interface

4. Exploring eBook Recommendations from Circuits Circuit Analysis Answers Aplusphysics Yaoshiore
  - Personalized Recommendations
  - Circuits Circuit Analysis Answers Aplusphysics Yaoshiore User Reviews and Ratings
  - Circuits Circuit Analysis Answers Aplusphysics Yaoshiore and Bestseller Lists
5. Accessing Circuits Circuit Analysis Answers Aplusphysics Yaoshiore Free and Paid eBooks
  - Circuits Circuit Analysis Answers Aplusphysics Yaoshiore Public Domain eBooks
  - Circuits Circuit Analysis Answers Aplusphysics Yaoshiore eBook Subscription Services
  - Circuits Circuit Analysis Answers Aplusphysics Yaoshiore Budget-Friendly Options
6. Navigating Circuits Circuit Analysis Answers Aplusphysics Yaoshiore eBook Formats
  - ePub, PDF, MOBI, and More
  - Circuits Circuit Analysis Answers Aplusphysics Yaoshiore Compatibility with Devices
  - Circuits Circuit Analysis Answers Aplusphysics Yaoshiore Enhanced eBook Features
7. Enhancing Your Reading Experience
  - Adjustable Fonts and Text Sizes of Circuits Circuit Analysis Answers Aplusphysics Yaoshiore
  - Highlighting and Note-Taking Circuits Circuit Analysis Answers Aplusphysics Yaoshiore
  - Interactive Elements Circuits Circuit Analysis Answers Aplusphysics Yaoshiore
8. Staying Engaged with Circuits Circuit Analysis Answers Aplusphysics Yaoshiore
  - Joining Online Reading Communities
  - Participating in Virtual Book Clubs
  - Following Authors and Publishers Circuits Circuit Analysis Answers Aplusphysics Yaoshiore
9. Balancing eBooks and Physical Books Circuits Circuit Analysis Answers Aplusphysics Yaoshiore
  - Benefits of a Digital Library
  - Creating a Diverse Reading Collection Circuits Circuit Analysis Answers Aplusphysics Yaoshiore
10. Overcoming Reading Challenges
  - Dealing with Digital Eye Strain
  - Minimizing Distractions
  - Managing Screen Time
11. Cultivating a Reading Routine Circuits Circuit Analysis Answers Aplusphysics Yaoshiore
  - Setting Reading Goals Circuits Circuit Analysis Answers Aplusphysics Yaoshiore
  - Carving Out Dedicated Reading Time

12. Sourcing Reliable Information of Circuits Circuit Analysis Answers Aplusphysics Yaoshire
  - Fact-Checking eBook Content of Circuits Circuit Analysis Answers Aplusphysics Yaoshire
  - Distinguishing Credible Sources
13. Promoting Lifelong Learning
  - Utilizing eBooks for Skill Development
  - Exploring Educational eBooks
14. Embracing eBook Trends
  - Integration of Multimedia Elements
  - Interactive and Gamified eBooks

### **Circuits Circuit Analysis Answers Aplusphysics Yaoshire Introduction**

In the digital age, access to information has become easier than ever before. The ability to download Circuits Circuit Analysis Answers Aplusphysics Yaoshire has revolutionized the way we consume written content. Whether you are a student looking for course material, an avid reader searching for your next favorite book, or a professional seeking research papers, the option to download Circuits Circuit Analysis Answers Aplusphysics Yaoshire has opened up a world of possibilities.

Downloading Circuits Circuit Analysis Answers Aplusphysics Yaoshire provides numerous advantages over physical copies of books and documents. Firstly, it is incredibly convenient. Gone are the days of carrying around heavy textbooks or bulky folders filled with papers. With the click of a button, you can gain immediate access to valuable resources on any device. This convenience allows for efficient studying, researching, and reading on the go. Moreover, the cost-effective nature of downloading Circuits Circuit Analysis Answers Aplusphysics Yaoshire has democratized knowledge. Traditional books and academic journals can be expensive, making it difficult for individuals with limited financial resources to access information. By offering free PDF downloads, publishers and authors are enabling a wider audience to benefit from their work. This inclusivity promotes equal opportunities for learning and personal growth. There are numerous websites and platforms where individuals can download Circuits Circuit Analysis Answers Aplusphysics Yaoshire. These websites range from academic databases offering research papers and journals to online libraries with an expansive collection of books from various genres. Many authors and publishers also upload their work to specific websites, granting readers access to their content without any charge. These platforms not only provide access to existing literature but also serve as an excellent platform for undiscovered authors to share their work with the world. However, it is essential to be cautious while downloading Circuits Circuit Analysis Answers Aplusphysics Yaoshire. Some websites may offer pirated or illegally obtained copies of copyrighted material. Engaging in such activities not only violates copyright laws but also undermines the efforts of

authors, publishers, and researchers. To ensure ethical downloading, it is advisable to utilize reputable websites that prioritize the legal distribution of content. When downloading Circuits Circuit Analysis Answers Aplusphysics Yaoshiore, users should also consider the potential security risks associated with online platforms. Malicious actors may exploit vulnerabilities in unprotected websites to distribute malware or steal personal information. To protect themselves, individuals should ensure their devices have reliable antivirus software installed and validate the legitimacy of the websites they are downloading from. In conclusion, the ability to download Circuits Circuit Analysis Answers Aplusphysics Yaoshiore has transformed the way we access information. With the convenience, cost-effectiveness, and accessibility it offers, free PDF downloads have become a popular choice for students, researchers, and book lovers worldwide. However, it is crucial to engage in ethical downloading practices and prioritize personal security when utilizing online platforms. By doing so, individuals can make the most of the vast array of free PDF resources available and embark on a journey of continuous learning and intellectual growth.

### **FAQs About Circuits Circuit Analysis Answers Aplusphysics Yaoshiore Books**

How do I know which eBook platform is the best for me? Finding the best eBook platform depends on your reading preferences and device compatibility. Research different platforms, read user reviews, and explore their features before making a choice. Are free eBooks of good quality? Yes, many reputable platforms offer high-quality free eBooks, including classics and public domain works. However, make sure to verify the source to ensure the eBook credibility. Can I read eBooks without an eReader? Absolutely! Most eBook platforms offer webbased readers or mobile apps that allow you to read eBooks on your computer, tablet, or smartphone. How do I avoid digital eye strain while reading eBooks? To prevent digital eye strain, take regular breaks, adjust the font size and background color, and ensure proper lighting while reading eBooks. What the advantage of interactive eBooks? Interactive eBooks incorporate multimedia elements, quizzes, and activities, enhancing the reader engagement and providing a more immersive learning experience. Circuits Circuit Analysis Answers Aplusphysics Yaoshiore is one of the best book in our library for free trial. We provide copy of Circuits Circuit Analysis Answers Aplusphysics Yaoshiore in digital format, so the resources that you find are reliable. There are also many Ebooks of related with Circuits Circuit Analysis Answers Aplusphysics Yaoshiore. Where to download Circuits Circuit Analysis Answers Aplusphysics Yaoshiore online for free? Are you looking for Circuits Circuit Analysis Answers Aplusphysics Yaoshiore PDF? This is definitely going to save you time and cash in something you should think about. If you trying to find then search around for online. Without a doubt there are numerous these available and many of them have the freedom. However without doubt you receive whatever you purchase. An alternate way to get ideas is always to check another Circuits Circuit Analysis

Answers Aplusphysics Yaoshiore. This method for see exactly what may be included and adopt these ideas to your book. This site will almost certainly help you save time and effort, money and stress. If you are looking for free books then you really should consider finding to assist you try this. Several of Circuits Circuit Analysis Answers Aplusphysics Yaoshiore are for sale to free while some are payable. If you arent sure if the books you would like to download works with for usage along with your computer, it is possible to download free trials. The free guides make it easy for someone to free access online library for download books to your device. You can get free download on free trial for lots of books categories. Our library is the biggest of these that have literally hundreds of thousands of different products categories represented. You will also see that there are specific sites catered to different product types or categories, brands or niches related with Circuits Circuit Analysis Answers Aplusphysics Yaoshiore. So depending on what exactly you are searching, you will be able to choose e books to suit your own need. Need to access completely for Campbell Biology Seventh Edition book? Access Ebook without any digging. And by having access to our ebook online or by storing it on your computer, you have convenient answers with Circuits Circuit Analysis Answers Aplusphysics Yaoshiore To get started finding Circuits Circuit Analysis Answers Aplusphysics Yaoshiore, you are right to find our website which has a comprehensive collection of books online. Our library is the biggest of these that have literally hundreds of thousands of different products represented. You will also see that there are specific sites catered to different categories or niches related with Circuits Circuit Analysis Answers Aplusphysics Yaoshiore So depending on what exactly you are searching, you will be able tochoose ebook to suit your own need. Thank you for reading Circuits Circuit Analysis Answers Aplusphysics Yaoshiore. Maybe you have knowledge that, people have search numerous times for their favorite readings like this Circuits Circuit Analysis Answers Aplusphysics Yaoshiore, but end up in harmful downloads. Rather than reading a good book with a cup of coffee in the afternoon, instead they juggled with some harmful bugs inside their laptop. Circuits Circuit Analysis Answers Aplusphysics Yaoshiore is available in our book collection an online access to it is set as public so you can download it instantly. Our digital library spans in multiple locations, allowing you to get the most less latency time to download any of our books like this one. Merely said, Circuits Circuit Analysis Answers Aplusphysics Yaoshiore is universally compatible with any devices to read.

**Find Circuits Circuit Analysis Answers Aplusphysics Yaoshiore :**

[cybersecurity tools for startups 53-906](#) [cybersecurity trends for small business 53-656](#) [crypto investing guide America 53-1393](#) [crypto business 53-110](#) [electric vehicles explained for small business 53-2412](#) [investing strategies for startups 53-720](#) [crypto investing tips USA](#) [case study for small business 53-317](#) [affiliate marketing case study for](#)

~~work strategies for entrepreneurs 53-2320 remote work strategies for~~  
**ideas United States 53-2057 interview tips ideas for startups 53-2155**  
~~budget travel guide for entrepreneurs 53-1221 budget travel guide for~~  
**dropshipping business guide USA 53-1723 dropshipping business guide USA**  
~~personal finance software America 53-2153 personal finance software for~~  
~~tutorial USA 53-1808 affiliate marketing tutorial for creators 53-1395~~  
~~score improvement tips America 53-2619 credit score improvement tips for~~  
~~53-1379 print on demand apps for creators 53-1432 print on demand apps~~  
~~53-489 online privacy ideas United States 53-733 online privacy ideas~~  
~~USA 53-441 budget travel ideas for entrepreneurs 53-1819 budget travel~~

### **Circuits Circuit Analysis Answers Aplusphysics Yaoshiore :**

**cognizant completes acquisition of tqz integration expands** - Nov 04 2020

web jul 30 2021 cognizant nasdaq ctsh has completed its acquisition of tqz integration a global industrial data and intelligence company based in lismore ireland

*cognizant expands its global digital engineering portfolio with* - May 03 2023

web dec 7 2021 acquisition enhances cognizant s ability to deliver premium custom software product engineering teaneck n j  
j dec 7 2021 prnewswire cognizant nasdaq ctsh today announced it has agreed to acquire devbridge a privately held software consultancy and product development company headquartered in chicago the

**list of cognizant s 65 acquisitions including mobica and** - Jul 05 2023

web sep 1 2020 jan 23 2023 utegration acquired by cognizant utegration cognizant dec 7 2022 new signature acquired by cognizant new signature cognizant jul 28 2020 austincsi acquired by cognizant austincsi cognizant nov 29 2022 onesource virtual acquired by cognizant onesource virtual cognizant nov 1 2022 tqz integration

**the notion of process in merger and acquisition research** - Jan 19 2022

web mar 8 2020 acquisition practitioner should be cognizant that what happens in the post acquisition phase is also a consequence of decisions taken in the pre acquisition phase gomes and colleagues 2013 discuss how success factors cross and connect acquisition phases and ultimately affect acquisition performance

**10th magnitude to become latest cognizant acquisition** - Mar 01 2023

web sep 1 2020 10th magnitude is set to emerge as the latest cognizant acquisition in the cloud services market learn more about the deal which is set to close in the third quarter of 2020

**newmont looks to sell mines as newcrest acquisition closes** - Jun 11 2021

web nov 6 2023 tom palmer president and chief executive officer of newmont corp speaks during the world mining congress in brisbane australia on wednesday june 28 2023 the company closed its roughly 15

*metastatic melanoma pipeline clinical trials studies benzinga* - Feb 05 2021

web 2 days ago metastatic melanoma pipeline clinical trials studies emerging drugs mergers and acquisition 2023 updated by ab digital inc november 6 2023 5 10 pm 6 min read

**schwab lays off up to 2 200 workers calling it hard but necessary** - Jan 07 2021

web nov 1 2023 the number of cuts ranging from 5 to 6 of staff at the westlake texas based company translates to as many as 2 154 employees based on a corporate fact sheet that put the company s overall

**figma hired 500 employees since adobe acquisition announced** - Mar 09 2021

web 1 day ago design startup figma inc s headcount has grown roughly 60 since it announced merger plans with adobe inc in september 2022 a sign the company hasn t been standing still while it waits for

*cognizant to acquire mobica to enhance its iot software* - Sep 07 2023

web jan 23 2023 acquisition expands cognizant s iot embedded software engineering capabilities across technology and automotive industries teaneck n j jan 23 2023 prnewswire cognizant has entered into an agreement to acquire mobica an iot software engineering services provider headquartered in manchester united kingdom

**mergers and acquisition cognizant yumpu** - Mar 21 2022

web mergers and acquisition cognizant en english deutsch français español português italiano român nederlands latina dansk svenska norsk magyar bahasa indonesia türkçe suomi latvian lithuanian česk

**cognizant completes acquisition of servian enhancing digital** - Apr 02 2023

web sydney april 1 2021 cognizant nasdaq ctsh has completed its previously announced acquisition of servian a sydney australia based privately held enterprise transformation consultancy specializing in data analytics artificial intelligence digital services experience design and cloud

**this 6 yielding dividend stock s acquisition binge will give it** - May 11 2021

web 1 day ago the merger will create an even larger scale reit with an enterprise value of over 63 billion making it the fourth largest reit the merger will also enhance its diversification and growth runway

**us seeks to block jetblue s spirit airlines deal at trial** - Jul 13 2021

web oct 31 2023 the u s argued on tuesday that jetblue airways planned 3 8 billion acquisition of ultra low cost carrier spirit airlines will lead to higher fares and fewer flights as the justice department

**cognizant enhances its smart manufacturing offerings with the** - Aug 06 2023

web jul 20 2021 cognizant enhances its smart manufacturing offerings with the acquisition of tq's integration teaneck n j  
july 20 2021 prnewswire cognizant nasdaq ctsh today announced it has agreed to acquire tq's integration a privately owned global industrial data and intelligence company based in lismore ireland

*how p c insurers can unlock value from mergers acquisitions cognizant - May 23 2022*

web the property and casualty p c insurance industry has been in a sustained saturated growth phase across personal and commercial segments with constant annual growth of around 5 over the last few years 1 recent economic strains on the top and bottom line created by the covid 19 pandemic have led the p c industry into uncharted territory

**chevron to acquire hess for 53 billion in latest major oil deal - Sep 14 2021**

web oct 23 2023 in the second energy megadeal this month chevron the second largest u s oil giant said monday that it had agreed to acquire hess a medium size rival in an all stock deal

*navigating through post merger integration of crm systems cognizant - Apr 21 2022*

web march 2019 facets of it assets in mergers acquisitions the success or failure of many mergers and acquisitions often pivots around it asset consolidation these exercises can be broadly classified in three categories pre merger merger and post merger see figure 1 classifying mergers acquisitions

*capvest to buy industrial chemicals firm recochem from h i g - Oct 16 2021*

web nov 6 2023 private equity firm capvest partners has agreed to acquire recochem a specialty chemicals manufacturer focused on the automobiles industry from rival buyout firm h i g capital

**cognizant to acquire magenic technologies sightsin plus - Jun 23 2022**

web jan 21 2021 cognizant has entered into an agreement to acquire magenic technologies inc a privately held custom software development services company headquartered in minneapolis minnesota the acquisition will expand cognizant's software product engineering footprint adding 475 employees in the u s across seven locations and

*cognizant plans to make fewer acquisitions this year techcircle - Aug 26 2022*

web ayushman baruah 6 may 2022 cognizant technology solutions corp has posted an 11.5% growth in march quarter net profit to 563 million and revised its full year revenue growth guidance for 2022 to 9-11% in constant currency terms

*cognizant mergers and acquisitions summary mergr - Oct 08 2023*

web cognizant has acquired 55 companies including 28 in the last 5 years a total of 14 acquisitions came from private equity firms it has also divested 1 asset cognizant's largest acquisition to date was in 2014 when it acquired the trizetto group for 2.7b

*cognizant has made 5 digital based acquisitions this year - Sep 26 2022*

web aug 3 2020 merger acquisition cognizant has made 5 digital based acquisitions this year by sightsin plus august 3 2020

Cognizant with its extensive global presence will work to create stronger healthier and more inclusive communities as they emerge from the covid 19 pandemic

**broadcom vmware merger held up as china delays 69bn deal** - Feb 17 2022

web oct 30 2023 the companies said in a joint statement that they maintained their expectation that broadcom s acquisition of vmware would close soon but in any event prior to the expiration of their merger

*cognizant makes 20th acquisition since 2019 with devbridge buy* - Jun 04 2023

web december 08 2021 11 04 am est the global solution provider giant has spent a whopping 2 5 billion on acquisitions since 2019 on wednesday cognizant unveiled its 20th purchase with the

**cognizant to expand workday expertise and services with acquisition** - Nov 28 2022

web nov 1 2022 cognizant will gain nearly 400 new employees upon closing of the acquisition enhancing its expertise and number of professionals holding certifications in workday implementation and support located throughout the united states canada and the united kingdom these individuals will join cognizant as part of its collaborative

*ibm and cognizant acquisitions cap a wave of it services venturebeat* - Jan 31 2023

web dec 21 2020 overall ibm has now acquired three it services providers in 2020 while cognizant has acquired nine accenture meanwhile has rolled up the most it services this year after acquiring no less

exclusive us amusement park operators cedar fair six flags in merger - Aug 14 2021

web nov 1 2023 new york nov 1 reuters u s amusement park operator cedar fair lp fun n is exploring a potential merger with peer six flags entertainment corp six n people familiar with the matter said

**kevin durant led spac infinite acquisition to close after deal** - Dec 06 2020

web oct 24 2023 2 11 infinite acquisition corp a blank check firm led by nba star kevin durant and his business manager rich kleiman plans to close and return the money it raised to investors after its deal

**pdf mergers and acquisition of cognizant dokumen tips** - Nov 16 2021

web cognizant case study mergers and acquisition introduction few organizations have expertise integrating business after mergers and acquisitions activity yet business success

**cognizant to buy bright wolf its 8th acquisition of 2020** - Jul 25 2022

web oct 22 2020 cognizant is set to acquire bright wolf making this the eighth acquisition for cognizant this year bright wolf a technology service provider specializes in custom industrial internet of things iiot cognizant wants to bolster its smart products and industry 4 0 expertise with the bright wolf buy cognizant s malcolm frank

disney acquisition of hulu heralds higher streaming prices the - Apr 09 2021

web nov 2 2023 disney to acquire all of hulu heralding more mergers higher prices by erica werner november 2 2023 at 2

31 p m edt jenny kane ap 2 min the walt disney co s announcement that it is

[cognizant snaps up manchester based iot specialist mobica](#) - Dec 30 2022

web jan 24 2023 it services and consulting giant cognizant has agreed to acquire manchester based internet of things iot software engineering services provider mobica the acquisition will expand cognizant s iot embedded software engineering capabilities offering clients a wider range of end to end support to help with their digital transformation

**merger acquisition m a trends january 2023 intellizence** - Dec 18 2021

web feb 1 2023 major sector wise merger and acquisition deals banking private equity financial services mckinsey company has acquired iguazio a tel aviv based leader in artificial intelligence and machine learning fidelity investments has acquired shoobx a provider of automated equity management operations and financing software for private

**cognizant acquired 08 digital firms to grow business in 2020** - Oct 28 2022

web nov 7 2020 it was cognizant s sixth cloud related acquisition in 2020 in november cognizant has completed the acquisition of bright wolf a strategic systems integration and technology partner for industrial enterprises seeking digital transformation through adaptable connected systems and services bright wolf serves some of the largest

**lincoln film study guide questions 58 total** - Jan 01 2023

web answer lincoln s awareness that he is being carried forward to a place he is unsure of in the context of the film the consequences of the 13th amendment mary lincoln feels it

*lincoln movie questions 76 plays quizizz* - Sep 09 2023

web lincoln movie questions quiz for 8th grade students find other quizzes for history and more on quizizz for free

[lincoln movie questions answers for quizzes and tests quizizz](#) - May 25 2022

web feb 24 2015 lincoln br film study guide strong questions strong br teacher s copy br opening titles br 1 what is the purpose of the scene

**gov lincoln film questions flashcards quizlet** - Jun 06 2023

web study with quizlet and memorize flashcards containing terms like what is the purpose of the scene consisting of lincoln speaking with the black and white soldiers symbolically

*lincoln film questions answers weebly* - Apr 04 2023

web 1 what is the purpose of the scene consisting of lincoln speaking with the black and white soldiers answers will vary students may realize that the scene demonstrates how

*lincoln movie discussion questions study com* - Nov 30 2022

web 4 9 55 pdf add to cart wish list lincoln film questions created by vintage history eight critical thinking questions from steven spielberg s film lincoln these are

[lincoln movie questions flashcards quizlet](#) - Oct 10 2023

web study with quizlet and memorize flashcards containing terms like who was pres lincoln talking to at the beginning of the movie what did they recite what was the 13th

**lincoln movie questions flashcards studyhippo com** - Feb 19 2022

web june 28 2023 question who was pres lincoln talking to at the beginning of the movie what did they recite answer lincoln talked with the common soldiers both black and

[lincoln weebly](#) - Apr 23 2022

web jan 23 2023 answer lincoln observes that he had never seen carnage like he had seen that day unlock the answer question in the movie president lincoln said the part

*lincoln film study guide yumpu* - Mar 23 2022

web view assignment lincoln movie questions 1 pdf from apwh 101 at prince george high lincoln movie questions name meyleia aviles date class 3rd 4 14 19 1

[lincoln film questions teaching resources ppt](#) - Sep 28 2022

web movie questions lincoln 2012 answer each of the questions in at least one sentence 1 what is the purpose of the scene consisting of lincoln speaking with both black and it

**movie questions lincoln 2012 movie questions lincoln 2012** - Jul 27 2022

web practice this quiz or assign it to students find millions of free quizzes pdf worksheets and tests on lincoln movie and other topics

**lincoln movie questions flashcards quizlet** - May 05 2023

web 1 11 who was pres lincoln talking to at the beginning of the movie what did they recite click the card to flip definition 1 11 lincoln talked with the common soldiers both black

*lincoln movie questions i hate cbt s* - Dec 20 2021

**ssus lincoln film questions answers pdf course hero** - Nov 18 2021

**the movie lincoln questions yumpu** - Jun 25 2022

web answers will vary especially since this is early in the film but students may see this as lincoln s awareness that he is being carried forward to a place he is unsure of in the

*apwh101 lincoln movie questions 1 pdf course hero* - Jan 21 2022

web lincoln film questions name opening titles 1 what is the purpose of the scene consisting of lincoln speaking with the

black and white soldiers answers will vary

*lincoln movie guide flashcards quizlet* - Jul 07 2023

web study with quizlet and memorize flashcards containing terms like from his conversation with president lincoln what did coronal clark dream of why did lincoln s wife believe

**lincoln movie questions answers 1 pdf baruch espinoza** - Oct 30 2022

web what was the 13th amendment why was passing it so important to president lincoln this will be answered throughout the entire movie not just one scene 2 who is

**lincoln movie guide questions worksheet google formats** - Feb 02 2023

web the following questions can be used to lead classroom discussions about this movie lesson course 1 1k views the anti slavery movement describe the battle in the

**lincoln movie questions flashcards quizlet** - Aug 08 2023

web 1 26 lincoln talked with the common soldiers both black and white about pay resources and the future lincoln s gettysburg address because it was the battle where the most

**the unofficial teacher s guide to spielberg s lincoln** - Mar 03 2023

web file previews zip 1 34 mb this lincoln movie guide encourages students to delve into the complex issues in this historic film challenge students to analyze the conflicts

**lincoln movie questions studylib net** - Aug 28 2022

web feb 24 2015 the movie lincoln questions en english deutsch français espagnol português italiano român nederlands latina dansk svenska norsk magyar bahasa

[dermatoloji deri hastalıkları amerikan hastanesi](#) - Feb 11 2022

web alerji onkoloji kozmetik dermatoloji pediatrik dermatoloji bağışıklık sistemi hastalıkları gibi çok geniş bir içeriği kapsayan dermatoloji alanında her tür ihtiyacı karşılayabilmek üzere kliniğimiz 2 profesör ve 6 uzmandan oluşan konusunda deneyimli kadrosuyla hizmet veriyor

**klinikleitfaden dermatologie 9783437223037 elsevier gmbh** - Oct 02 2023

web klinikleitfaden dermatologie 4 auflage dirsckha thomas herausgeber oster schmidt claus herausgeber schmitz lutz herausgeber erscheinungsdatum 10 2020 inhaltsverzeichnis die gesamte dermatologie in prägnanter komprimierter form inkl proktologie gefäßerkrankungen berufsdermatosen dargestellt

*klinikleitfaden dermatologie mit zugang zur medizinwelt* - May 17 2022

web klinikleitfaden dermatologie mit zugang zur medizinwelt dirsckha thomas amazon com tr

[klinikleitfaden dermatologie von buch 978 3 437 22303 7](#) - Apr 27 2023

web beschreibung die gesamte dermatologie in prägnanter komprimierter form inkl proktologie gefäßerkrankungen berufsdermatosen dargestellt vom stufenschema der behandlung einer onychomykose über das einleiten eines bg verfahrens bis zu rechtlichen aspekten einer weiterlesen

**klinikleitfaden dermatologie amazon com tr kitap** - Nov 22 2022

web klinikleitfaden dermatologie amazon com tr kitap Çerez tercihlerinizi seçin Çerez bildirimimizde ayrıntılı şekilde açıklandığı üzere alışveriş yapmanızı sağlamak alışveriş deneyiminizi iyileştirmek ve hizmetlerimizi sunmak için gerekli olan çerezleri ve benzer araçları kullanırız

*kozmetoloji merkezi ministry of health* - Mar 27 2023

web kozmetoloji merkezi kozmetoloji merkezi İstanbul eğitim ve araştırma hastanesi dermatoloji kliniği bünyesinde yer almaktadır hastanemizin c blok binası 3 katında işlemlerin uygulandığı ayrı bir kozmetoloji odasında uzman doktorları hemşireleri ve yenilenen kozmetik işlem cihazları ile hastalarımıza güvenilir bir şekilde hizmet

**klinikleitfaden dermatologie by thomas dirsckha goodreads** - Aug 20 2022

web klinikleitfaden dermatologie thomas dirsckha editor roland hartwig claus oster schmidt 0 00 0 ratings0 reviews die gesamte dermatologie mit knapp 300 farbigen abbildungen in prägnanter klar strukturierter darstellung inklusive proktologie gefaerkrankungen berufsdermatosen und asthetischer dermatologie in der 3

klinikleitfaden dermatologie 4th edition vitalsource - Jul 19 2022

web klinikleitfaden dermatologie 4th edition is written by thomas dirsckha claus osterschmidt lutz schmitz and published by urban fischer the digital and etextbook isbn for klinikleitfaden dermatologie are 9783437098536 3437098535 and the print isbn are 9783437223037 3437223038

**dermatoloji cildiye İstanbul hastaneleri** - Apr 15 2022

web dermatoloji cildiye cilt hastalıklarının tanısı ve tedavisinde kullanılan yöntem ve teknikleri oluşturan bu hastalıkların kılıç evresinde tanısından tedavi edilerek vücudu ilk anki direnç ve sağlamlığını kazanmasını sağlayan önlem ve teknikler dermatoloji cildiye olarak adlandırılır deri saç ve tırnakları

*klinikleitfaden dermatologie abebooks* - Oct 22 2022

web klinikleitfaden dermatologie angiologie andrologie allergologie proktologie by altmeyer peter dirsckha thomas hartwig roland and a great selection of related books art and collectibles available now at abebooks co uk

**İstanbul bölgesinde SGK kabul eden dermatologlar doktortakvimi** - Jul 31 2023

web avicenna kartal umut hastanesi İstanbul SGK kabul eden dermatologlar yorumlarını okuyabilir bilgilerini inceleyebilir ve uygun saatlere randevu alabilirsiniz

**klinikleitfaden dermatologie** - Sep 20 2022

web binlerce kitap teknoloji ürünü hediye müzik ve daha fazlası indirim kampanyalarıyla kültür sanat ve eğlence dünyası d r da

[pdf klinikleitfaden dermatologie by thomas dirsckha perlego](#) - Jun 17 2022

web dirsckha t oster schmidt c and schmitz l 2020 klinikleitfaden dermatologie 4th edn elsevier health sciences available at perlego com book 3894640 klinikleitfaden dermatologie pdf

**klinikleitfaden dermatologie abebooks** - Jan 25 2023

web klinikleitfaden dermatologie angiologie andrologie allergologie proktologie by altmeyer peter dirsckha thomas hartwig roland and a great selection of related books art and collectibles available now at abebooks com

[klinikleitfaden dermatologie sciencedirect](#) - Sep 01 2023

web description die gesamte dermatologie in prägnanter komprimierter form inkl proktologie gefäßerkrankungen berufsdermatosen dargestellt vom stufenschema der behandlung einer onychomykose über das einleiten eines bg verfahrens bis zu rechtlichen aspekten einer systemtherapie bei akne oder praxisnahen erläuterung

[klinikleitfaden dermatologie google books](#) - Jun 29 2023

web klinikleitfaden dermatologie thomas dirsckha elsevier urban fischerverlag 2011 dermatology 1024 pages 0 reviews reviews aren t verified but google checks for and removes fake content

*klinikleitfaden dermatologie taschenbuch 13 oktober 2020 amazon de* - May 29 2023

web klinikleitfaden dermatologie dirsckha thomas oster schmidt claus schmitz lutz isbn 9783437223037 kostenloser versand für alle bücher mit versand und verkauf duch amazon

**genel poliklinik İ Ü İstanbul tıp fakültesi** - Dec 24 2022

web jul 5 2014 randevu almak üzere telefonu aradığınızda 0212 414 24 24 10 genel poliklinik için 1 Özel dal poliklinikler için 2 yi tuşlamanız gerekmektedir Özel polikliniklerimizin sesli yanıt sistemindeki tuş kod ları şöyledir büllü hastalıklar 1 mikozis fungoides 2 psoriyazis 3 nevus 4

[klînik uygulama dersi İstanbul](#) - Feb 23 2023

web sevgili öğrencimiz klinik uygulama dersi nde lisans eğitimi süresince kazandığınız bilgi ve becerilerinizi birey aile ve toplumun sağlık bakımı gereksinimlerini karşılama da kullanarak yeterli kazanmanızı

[dermatoloji İstanbul yorumları incele ve randevu al](#) - Mar 15 2022

web ataköy 7 8 9 10 kısım mah Çobançeşme e 5 yan yol cad a blok kat 11 no 101 nivo ataköy İstanbul bullet harita uzm dr oya yeşim hacımustafaoğlu utkan