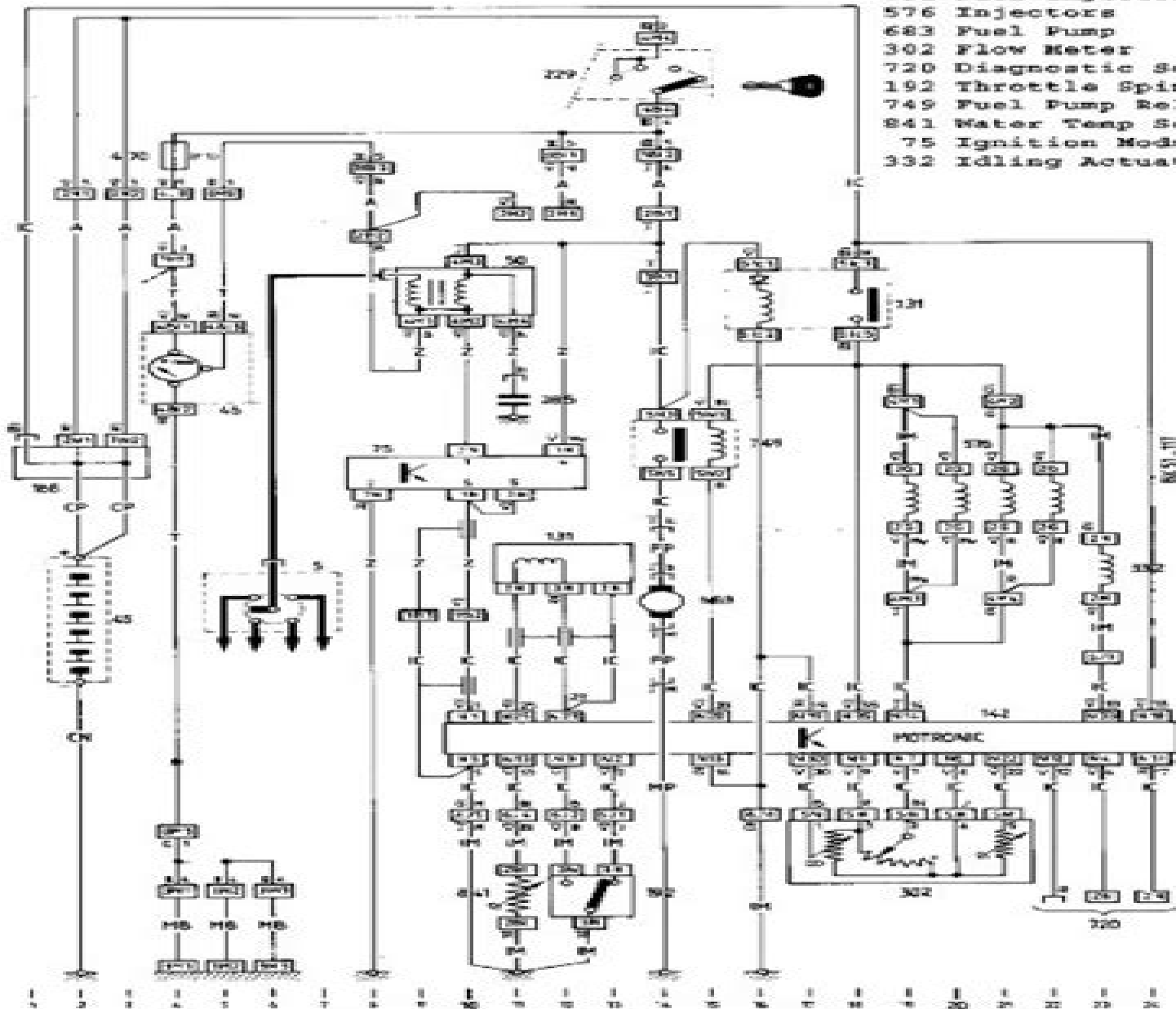


- 131 Ignition Sensor
- 731 Fuel Injector Relay
- 536 Injectors
- 683 Fuel Pump
- 302 Flow Meter
- 720 Diagnostic Socket
- 193 Throttle Spindle Switch
- 749 Fuel Pump Relay
- 841 Water Temp Sensor
- 79 Ignition Module
- 303 Idling Actuator



RM 51.111

Citroen Relay 05 Engine Diagram

N Noddings



Citroen Relay 05 Engine Diagram:

Reviewing **Citroen Relay 05 Engine Diagram**: Unlocking the Spellbinding Force of Linguistics

In a fast-paced world fueled by information and interconnectivity, the spellbinding force of linguistics has acquired newfound prominence. Its capacity to evoke emotions, stimulate contemplation, and stimulate metamorphosis is truly astonishing. Within the pages of "**Citroen Relay 05 Engine Diagram**," an enthralling opus penned by a very acclaimed wordsmith, readers embark on an immersive expedition to unravel the intricate significance of language and its indelible imprint on our lives. Throughout this assessment, we shall delve into the book's central motifs, appraise its distinctive narrative style, and gauge its overarching influence on the minds of its readers.

<https://py.bijouxmedusa.com/results/uploaded-files/fetch.php/engineering%20physics%20by%20g%20vijayakumari%20for%20fist%20sem.pdf>

Table of Contents Citroen Relay 05 Engine Diagram

1. Understanding the eBook Citroen Relay 05 Engine Diagram
 - The Rise of Digital Reading Citroen Relay 05 Engine Diagram
 - Advantages of eBooks Over Traditional Books
2. Identifying Citroen Relay 05 Engine Diagram
 - Exploring Different Genres
 - Considering Fiction vs. Non-Fiction
 - Determining Your Reading Goals
3. Choosing the Right eBook Platform
 - Popular eBook Platforms
 - Features to Look for in an Citroen Relay 05 Engine Diagram
 - User-Friendly Interface
4. Exploring eBook Recommendations from Citroen Relay 05 Engine Diagram
 - Personalized Recommendations
 - Citroen Relay 05 Engine Diagram User Reviews and Ratings

- Citroen Relay 05 Engine Diagram and Bestseller Lists
- 5. Accessing Citroen Relay 05 Engine Diagram Free and Paid eBooks
 - Citroen Relay 05 Engine Diagram Public Domain eBooks
 - Citroen Relay 05 Engine Diagram eBook Subscription Services
 - Citroen Relay 05 Engine Diagram Budget-Friendly Options
- 6. Navigating Citroen Relay 05 Engine Diagram eBook Formats
 - ePub, PDF, MOBI, and More
 - Citroen Relay 05 Engine Diagram Compatibility with Devices
 - Citroen Relay 05 Engine Diagram Enhanced eBook Features
- 7. Enhancing Your Reading Experience
 - Adjustable Fonts and Text Sizes of Citroen Relay 05 Engine Diagram
 - Highlighting and Note-Taking Citroen Relay 05 Engine Diagram
 - Interactive Elements Citroen Relay 05 Engine Diagram
- 8. Staying Engaged with Citroen Relay 05 Engine Diagram
 - Joining Online Reading Communities
 - Participating in Virtual Book Clubs
 - Following Authors and Publishers Citroen Relay 05 Engine Diagram
- 9. Balancing eBooks and Physical Books Citroen Relay 05 Engine Diagram
 - Benefits of a Digital Library
 - Creating a Diverse Reading Collection Citroen Relay 05 Engine Diagram
- 10. Overcoming Reading Challenges
 - Dealing with Digital Eye Strain
 - Minimizing Distractions
 - Managing Screen Time
- 11. Cultivating a Reading Routine Citroen Relay 05 Engine Diagram
 - Setting Reading Goals Citroen Relay 05 Engine Diagram
 - Carving Out Dedicated Reading Time
- 12. Sourcing Reliable Information of Citroen Relay 05 Engine Diagram
 - Fact-Checking eBook Content of Citroen Relay 05 Engine Diagram
 - Distinguishing Credible Sources

13. Promoting Lifelong Learning
 - Utilizing eBooks for Skill Development
 - Exploring Educational eBooks
14. Embracing eBook Trends
 - Integration of Multimedia Elements
 - Interactive and Gamified eBooks

Citroen Relay 05 Engine Diagram Introduction

Free PDF Books and Manuals for Download: Unlocking Knowledge at Your Fingertips In today's fast-paced digital age, obtaining valuable knowledge has become easier than ever. Thanks to the internet, a vast array of books and manuals are now available for free download in PDF format. Whether you are a student, professional, or simply an avid reader, this treasure trove of downloadable resources offers a wealth of information, conveniently accessible anytime, anywhere. The advent of online libraries and platforms dedicated to sharing knowledge has revolutionized the way we consume information. No longer confined to physical libraries or bookstores, readers can now access an extensive collection of digital books and manuals with just a few clicks. These resources, available in PDF, Microsoft Word, and PowerPoint formats, cater to a wide range of interests, including literature, technology, science, history, and much more. One notable platform where you can explore and download free Citroen Relay 05 Engine Diagram PDF books and manuals is the internet's largest free library. Hosted online, this catalog compiles a vast assortment of documents, making it a veritable goldmine of knowledge. With its easy-to-use website interface and customizable PDF generator, this platform offers a user-friendly experience, allowing individuals to effortlessly navigate and access the information they seek. The availability of free PDF books and manuals on this platform demonstrates its commitment to democratizing education and empowering individuals with the tools needed to succeed in their chosen fields. It allows anyone, regardless of their background or financial limitations, to expand their horizons and gain insights from experts in various disciplines. One of the most significant advantages of downloading PDF books and manuals lies in their portability. Unlike physical copies, digital books can be stored and carried on a single device, such as a tablet or smartphone, saving valuable space and weight. This convenience makes it possible for readers to have their entire library at their fingertips, whether they are commuting, traveling, or simply enjoying a lazy afternoon at home. Additionally, digital files are easily searchable, enabling readers to locate specific information within seconds. With a few keystrokes, users can search for keywords, topics, or phrases, making research and finding relevant information a breeze. This efficiency saves time and effort, streamlining the learning process and allowing individuals to focus on extracting the information they need. Furthermore, the availability of free PDF books and manuals fosters a culture of continuous learning.

By removing financial barriers, more people can access educational resources and pursue lifelong learning, contributing to personal growth and professional development. This democratization of knowledge promotes intellectual curiosity and empowers individuals to become lifelong learners, promoting progress and innovation in various fields. It is worth noting that while accessing free Citroen Relay 05 Engine Diagram PDF books and manuals is convenient and cost-effective, it is vital to respect copyright laws and intellectual property rights. Platforms offering free downloads often operate within legal boundaries, ensuring that the materials they provide are either in the public domain or authorized for distribution. By adhering to copyright laws, users can enjoy the benefits of free access to knowledge while supporting the authors and publishers who make these resources available. In conclusion, the availability of Citroen Relay 05 Engine Diagram free PDF books and manuals for download has revolutionized the way we access and consume knowledge. With just a few clicks, individuals can explore a vast collection of resources across different disciplines, all free of charge. This accessibility empowers individuals to become lifelong learners, contributing to personal growth, professional development, and the advancement of society as a whole. So why not unlock a world of knowledge today? Start exploring the vast sea of free PDF books and manuals waiting to be discovered right at your fingertips.

FAQs About Citroen Relay 05 Engine Diagram Books

1. Where can I buy Citroen Relay 05 Engine Diagram books? Bookstores: Physical bookstores like Barnes & Noble, Waterstones, and independent local stores. Online Retailers: Amazon, Book Depository, and various online bookstores offer a wide range of books in physical and digital formats.
2. What are the different book formats available? Hardcover: Sturdy and durable, usually more expensive. Paperback: Cheaper, lighter, and more portable than hardcovers. E-books: Digital books available for e-readers like Kindle or software like Apple Books, Kindle, and Google Play Books.
3. How do I choose a Citroen Relay 05 Engine Diagram book to read? Genres: Consider the genre you enjoy (fiction, non-fiction, mystery, sci-fi, etc.). Recommendations: Ask friends, join book clubs, or explore online reviews and recommendations. Author: If you like a particular author, you might enjoy more of their work.
4. How do I take care of Citroen Relay 05 Engine Diagram books? Storage: Keep them away from direct sunlight and in a dry environment. Handling: Avoid folding pages, use bookmarks, and handle them with clean hands. Cleaning: Gently dust the covers and pages occasionally.
5. Can I borrow books without buying them? Public Libraries: Local libraries offer a wide range of books for borrowing.

- Book Swaps: Community book exchanges or online platforms where people exchange books.
6. How can I track my reading progress or manage my book collection? Book Tracking Apps: Goodreads, LibraryThing, and Book Catalogue are popular apps for tracking your reading progress and managing book collections. Spreadsheets: You can create your own spreadsheet to track books read, ratings, and other details.
 7. What are Citroen Relay 05 Engine Diagram audiobooks, and where can I find them? Audiobooks: Audio recordings of books, perfect for listening while commuting or multitasking. Platforms: Audible, LibriVox, and Google Play Books offer a wide selection of audiobooks.
 8. How do I support authors or the book industry? Buy Books: Purchase books from authors or independent bookstores. Reviews: Leave reviews on platforms like Goodreads or Amazon. Promotion: Share your favorite books on social media or recommend them to friends.
 9. Are there book clubs or reading communities I can join? Local Clubs: Check for local book clubs in libraries or community centers. Online Communities: Platforms like Goodreads have virtual book clubs and discussion groups.
 10. Can I read Citroen Relay 05 Engine Diagram books for free? Public Domain Books: Many classic books are available for free as they're in the public domain. Free E-books: Some websites offer free e-books legally, like Project Gutenberg or Open Library.

Find Citroen Relay 05 Engine Diagram :

engineering physics by g vijayakumari for fist sem

[elementary linear algebra larson 7th edition solution](#)

[english pronunciation made simple 2nd edition](#)

engine oil drain plug torque chart 1997 2016

[end of days penryn amp the 3 susan ee](#)

[elementary linear algebra 10th edition solutions](#)

ending cholera a global roadmap to 2030 pdf 6 20mb

en espanol level 1 cuaderno para hispanohablantes spanish edition

[english elementary third edition oxford teacher answer](#)

engineering economic analysis 12th edition solution manual

engineering mechanics dynamics 5th edition volume 2 willey student edition

[eneagrama andrea vargas](#)

[engineering mechanics statics meriam 6th edition
english in electrical engineering electronics](#)

emotional intelligence tests for kids

Citroen Relay 05 Engine Diagram :

manuals terex - Jul 13 2023

web 21 rows [terex tfc45 parts catalog pdf data sheets and catalogues 6 12 mb english 1](#)

terex tr45 service manual pdf download - Jan 07 2023

web [terex tfc 45 specifications](#) terex offered a complete range of full and empty container handling reach stackers plus a dedicated multi attachment version they were designed

service procedures manual terex - Nov 05 2022

web 2006 [terex schaeff service manual pdf hr1 5 hr1 6 hr2 0 hr3 7 hr11 hr12 hr13 hr14 hr16 hr18 hr20 hr32 hr42 service manual repair manuals 482 mb english 2 053](#)

[terex reach stacker tfc45 tfc45r operation](#) - Dec 06 2022

web nov 15 2018 [hi guys terex empty container handlers fdc18k6 fdc25k7 fdc25k8 service manual download link terex container handler full ech tfc45h](#)

[terex reachstacker tfc45 workshop manual spare](#) - Apr 10 2023

web 2 [terex service training department 29 3 field maintenance training 29 4 specialised programmes 29 part b distributor service meetings 30 1 meeting terex service](#)

manuals terex - Oct 24 2021

terex tfc45 parts catalog pdf 6 12 mb data sheets - Mar 09 2023

web [spare parts manual tfc45lx hc sider g7544006 20517 20518 20519 free ebook download as pdf file pdf text file txt or read book online for free spare](#)

manual catalogo terex pdf transmission mechanics - Dec 26 2021

repair manuals manuals terex - Apr 29 2022

web 2006 [terex schaeff service manual pdf hr1 5 hr1 6 hr2 0 hr3 7 hr11 hr12 hr13 hr14 hr16 hr18 hr20 hr32 hr42 service manual repair manuals 482 mb english](#)

terex t45 manuals manualslib - Jun 12 2023

web we have 2 terex t45 manuals available for free pdf download operator service parts manual service manual terex t45 operator service parts manual 74 pages

terex factory service repair manual pdf download - Feb 08 2023

web to obtain oem crane service crane parts or crane maintenance manuals contact the crane and or lifting manufacturer directly 214 775 0104 email protected who we are

terex t45lx hc sider spare parts manual newsmanuals com - Feb 25 2022

terex reach stacker t45 t45r operation - Oct 04 2022

web crane specifications load charts and crane manuals are for reference only and are not to be used by the crane operator to operate any type of crane telehandler lift truck

spare parts manual t45lx hc sider scribd - Sep 03 2022

web terex t45lx hc sider spare parts manual pdf contains help for troubleshooting and will support you how to fix your problems immediately perfect for all diy persons your do

terex service manual help me mhh auto page 1 - May 31 2022

web terex reach stacker t45 t45r operation maintenance manual fr terex reach stacker t45 t45r operation maintenance manual fr size 2 67 mb format

terex t45 specifications cranemarket - Aug 02 2022

web if you plan to download and install the terex t45 service manual it is definitely simple then in the past currently we extend the link to buy and create bargains to download and

[terex reach stacker t45 workshop manual](#) - May 11 2023

web our exceptional terex pdf manuals offer both operator and technical guidance complemented by extensive troubleshooting and schematics for terex operation

terex reach stacker t45 t45r operation maintenance - Nov 24 2021

[terex t45 service manual analytics testkestories](#) - Jan 27 2022

reach stackers terex ppm t45 specifications cranemarket - Mar 29 2022

web terex t45 facebook twitter vehicle description forum classifieds advertisement photo gallery manuals data sheets and catalogues our vehicles category other

reach stackers terex t45 specifications cranemarket - Jul 01 2022

web description manual catalago terex copyright all rights reserved available formats download as pdf txt or read online from scribd flag for inappropriate content

terex tfc45 - Sep 22 2021

terex tfc45 manuals - Aug 14 2023

web terex tfc45 manuals 121 automakers 24 191 models terex tfc45 all languages 1 english user s manuals add repair manuals add data sheets and catalogues 1 add

amazon com super submarines amazing machines 9780753472088 mitton - Dec 26 2022

web oct 28 2014 available for the first time in paperback this book is filled with lively rhyming text by the award winning poet tony mitton that perfectly complements ant parker s bold bright illustrations a picture dictionary identifying submarine parts builds vocabulary and makes learning about subs engaging and fun

come to tea on planet zum zee by tony mitton fantasy book - Jul 01 2023

web sep 11 2017 with its vibrant front cover and fantastically entitled book come to tea on planet zum zee oozes appeal to kids written by tony mitton his unique writing style captures the imaginations of pre schoolers and school

alien tea and planet zum zee amazon co uk tony mitton guy - Jan 27 2023

web buy alien tea and planet zum zee by tony mitton guy parker rees isbn 9781408346914 from amazon s book store everyday low prices and free delivery on eligible orders

undersea definition meaning merriam webster - Feb 13 2022

web adjective un der sea ,ən dər 'sē synonyms of undersea 1 being or carried on under the sea or under the surface of the sea undersea oil deposits undersea fighting 2

undersea tea tony mitton uniport edu ng - Jul 21 2022

web sep 12 2023 undersea tea tony mitton and numerous ebook collections from fictions to scientific research in any way in the midst of them is this undersea tea tony mitton that can be your partner once upon a mermaid s tail beatrice blue 2021 04 13 from the author of the waterstones children s prize

undersea tea tony mitton cyberlab sutd edu sg - Feb 25 2023

web undersea tea tony mitton paper wishes oct 15 2020 ten year old manami did not realize how peaceful her family s life on bainbridge island was until the day it all changed it s 1942 after the attack on pearl harbor and manami and

come to tea on planet zum zee tony mitton google books - Mar 29 2023

web if you take your rocket to the outer edge of space you ll come across a funny little alien place the alien people call it planet zum zee and they re meeting here today for a special picnic

[undersea tea tony mitton help environment harvard edu](#) - Sep 22 2022

web undersea tea tony mitton if you ally need such a referred undersea tea tony mitton book that will pay for you worth get the completely best seller from us currently from several preferred authors if you want to hilarious books lots of novels tale jokes and more fictions collections are also

undersea tea tony mitton prospectus camre ac - Jun 19 2022

web access the undersea tea tony mitton join that we have the funding for here and check out the link this is furthermore one of the elements by gaining the soft documents of this undersea tea tony mitton by online

[tony mitton wikipedia](#) - Apr 29 2023

web children s writer notable work plum 2003 wayland 2013 website tonymitton co uk anthony robert mitton 10 january 1951 18 june 2022 was an english writer originally a primary school teacher he then became a children s poetry writer

undersea mystery club simon schuster - Mar 17 2022

web when graffiti starts appearing on buildings all over aquamarina violet and wally follow the clues to find the culprit in book 3 of the series join the undersea mystery club as they explore the ocean to help their aquatic friends it s the first day of school and violet can t also available problem at the playground undersea mystery

undersea tea tony mitton waptac org - Oct 24 2022

web undersea tea tony mitton ecology of indonesian papua part two andrew j marshall 2012 06 26 the ecology of papua provides a comprehensive review of current scientific knowledge on all aspects of the natural history of western indonesian new guinea designed for students of conservation

[a handful of poems by tony mitton teachingenglish](#) - Oct 04 2023

web jul 24 2015 the four poems in this collection are all by tony mitton each kit includes the text and audio of the poem as well as learning activities teacher s notes and visual support the four poems are r obin hood rap i wanna be a star key arabian nights you can listen to or download the poems as well as the teaching materials below

[poetry collections tony mitton](#) - Aug 02 2023

web collections of tony s poems in poetry collections and anthologies

[home poet children s writer tony mitton](#) - Sep 03 2023

web welcome tony mitton poet and children s writer hello and welcome to my website here you can find out about the main books i ve written and a bit more besides there s some information about me and several video clips of me reading some of my poems i hope you enjoy looking over my work look out for blogs too latest books series see more

undersea tea tony mitton pdf pdf signups myamcat - Apr 17 2022

web undersea tea tony mitton pdf pages 3 16 undersea tea tony mitton pdf upload suny b williamson 3 16 downloaded from

signups myamcat.com on October 3 2023 by suny b williamson throughout the series and reading about their fast paced adventures there is also a page at the back of each book that features an amazing annotated machine to

undersea tea tony mitton uniport.edu.ng - May 19 2022

web apr 7 2023 undersea tea tony mitton 1 10 downloaded from uniport.edu.ng on April 7 2023 by guest undersea tea tony mitton this is likewise one of the factors by obtaining the soft documents of this undersea tea tony mitton by online you might not require more mature to spend to go to the books start as skillfully as search for them

guidance and expectations for poetry at st george s primary - Nov 24 2022

web undersea tea by tony mitton more in the works every kind of poem you will ever need for the literacy hour by paul cookson d les the poem describes a noun usually an object but does not name it i.e. it may describe a tiger as striped and furry the last line usually directly addresses the reader and uses a question e.g.

undersea tea tony mitton uniport.edu.ng - Aug 22 2022

web mar 3 2023 undersea tea tony mitton 1 7 downloaded from uniport.edu.ng on March 3 2023 by guest undersea tea tony mitton if you ally craving such a referred undersea tea tony mitton ebook that will give you worth get the extremely best seller from us currently from several preferred authors if you want to hilarious books

undersea tea tony mitton renewalcc.com - May 31 2023

web 2 undersea tea tony mitton 2022 01 18 jamie mathews fluff and other stuff tuttle publishing ranging from the haunting to the hilarious plum was the first collection from tony mitton who has become a major voice in the world of poetry for children with beautiful illustrations by acclaimed artist peter bailey this is a poetry book which

sustainability free full text evolution of wireless communication - Nov 14 2022

web may 23 2022 there are a wide range of research studies and initiatives on the recent advances in wireless communication systems future 6g vision with its candidate enabling technologies and use cases including ai/ml/thz communication edge intelligence blockchain molecular communication v2x/5g/6g/7g/8g/9g/10g/11g/12g/13g/14g/15g/16g/17g/18g/19g/20g/21g/22g/23g/24g/25g/26g/27g/28g/29g/30g/31g/32g/33g/34g/35g/36g/37g/38g/39g/40g/41g/42g/43g/44g/45g/46g/47g/48g/49g/50g/51g/52g/53g/54g/55g/56g/57g/58g/59g/60g/61g/62g/63g/64g/65g/66g/67g/68g/69g/70g/71g/72g/73g/74g/75g/76g/77g/78g/79g/80g/81g/82g/83g/84g/85g/86g/87g/88g/89g/90g/91g/92g/93g/94g/95g/96g/97g/98g/99g/100g/101g/102g/103g/104g/105g/106g/107g/108g/109g/110g/111g/112g/113g/114g/115g/116g/117g/118g/119g/120g/121g/122g/123g/124g/125g/126g/127g/128g/129g/130g/131g/132g/133g/134g/135g/136g/137g/138g/139g/140g/141g/142g/143g/144g/145g/146g/147g/148g/149g/150g/151g/152g/153g/154g/155g/156g/157g/158g/159g/160g/161g/162g/163g/164g/165g/166g/167g/168g/169g/170g/171g/172g/173g/174g/175g/176g/177g/178g/179g/180g/181g/182g/183g/184g/185g/186g/187g/188g/189g/190g/191g/192g/193g/194g/195g/196g/197g/198g/199g/200g/201g/202g/203g/204g/205g/206g/207g/208g/209g/210g/211g/212g/213g/214g/215g/216g/217g/218g/219g/220g/221g/222g/223g/224g/225g/226g/227g/228g/229g/230g/231g/232g/233g/234g/235g/236g/237g/238g/239g/240g/241g/242g/243g/244g/245g/246g/247g/248g/249g/250g/251g/252g/253g/254g/255g/256g/257g/258g/259g/260g/261g/262g/263g/264g/265g/266g/267g/268g/269g/270g/271g/272g/273g/274g/275g/276g/277g/278g/279g/280g/281g/282g/283g/284g/285g/286g/287g/288g/289g/290g/291g/292g/293g/294g/295g/296g/297g/298g/299g/300g/301g/302g/303g/304g/305g/306g/307g/308g/309g/310g/311g/312g/313g/314g/315g/316g/317g/318g/319g/320g/321g/322g/323g/324g/325g/326g/327g/328g/329g/330g/331g/332g/333g/334g/335g/336g/337g/338g/339g/340g/341g/342g/343g/344g/345g/346g/347g/348g/349g/350g/351g/352g/353g/354g/355g/356g/357g/358g/359g/360g/361g/362g/363g/364g/365g/366g/367g/368g/369g/370g/371g/372g/373g/374g/375g/376g/377g/378g/379g/380g/381g/382g/383g/384g/385g/386g/387g/388g/389g/390g/391g/392g/393g/394g/395g/396g/397g/398g/399g/400g/401g/402g/403g/404g/405g/406g/407g/408g/409g/410g/411g/412g/413g/414g/415g/416g/417g/418g/419g/420g/421g/422g/423g/424g/425g/426g/427g/428g/429g/430g/431g/432g/433g/434g/435g/436g/437g/438g/439g/440g/441g/442g/443g/444g/445g/446g/447g/448g/449g/450g/451g/452g/453g/454g/455g/456g/457g/458g/459g/460g/461g/462g/463g/464g/465g/466g/467g/468g/469g/470g/471g/472g/473g/474g/475g/476g/477g/478g/479g/480g/481g/482g/483g/484g/485g/486g/487g/488g/489g/490g/491g/492g/493g/494g/495g/496g/497g/498g/499g/500g/501g/502g/503g/504g/505g/506g/507g/508g/509g/510g/511g/512g/513g/514g/515g/516g/517g/518g/519g/520g/521g/522g/523g/524g/525g/526g/527g/528g/529g/530g/531g/532g/533g/534g/535g/536g/537g/538g/539g/540g/541g/542g/543g/544g/545g/546g/547g/548g/549g/550g/551g/552g/553g/554g/555g/556g/557g/558g/559g/560g/561g/562g/563g/564g/565g/566g/567g/568g/569g/570g/571g/572g/573g/574g/575g/576g/577g/578g/579g/580g/581g/582g/583g/584g/585g/586g/587g/588g/589g/590g/591g/592g/593g/594g/595g/596g/597g/598g/599g/600g/601g/602g/603g/604g/605g/606g/607g/608g/609g/610g/611g/612g/613g/614g/615g/616g/617g/618g/619g/620g/621g/622g/623g/624g/625g/626g/627g/628g/629g/630g/631g/632g/633g/634g/635g/636g/637g/638g/639g/640g/641g/642g/643g/644g/645g/646g/647g/648g/649g/650g/651g/652g/653g/654g/655g/656g/657g/658g/659g/660g/661g/662g/663g/664g/665g/666g/667g/668g/669g/670g/671g/672g/673g/674g/675g/676g/677g/678g/679g/680g/681g/682g/683g/684g/685g/686g/687g/688g/689g/690g/691g/692g/693g/694g/695g/696g/697g/698g/699g/700g/701g/702g/703g/704g/705g/706g/707g/708g/709g/710g/711g/712g/713g/714g/715g/716g/717g/718g/719g/720g/721g/722g/723g/724g/725g/726g/727g/728g/729g/730g/731g/732g/733g/734g/735g/736g/737g/738g/739g/740g/741g/742g/743g/744g/745g/746g/747g/748g/749g/750g/751g/752g/753g/754g/755g/756g/757g/758g/759g/760g/761g/762g/763g/764g/765g/766g/767g/768g/769g/770g/771g/772g/773g/774g/775g/776g/777g/778g/779g/780g/781g/782g/783g/784g/785g/786g/787g/788g/789g/790g/791g/792g/793g/794g/795g/796g/797g/798g/799g/800g/801g/802g/803g/804g/805g/806g/807g/808g/809g/810g/811g/812g/813g/814g/815g/816g/817g/818g/819g/820g/821g/822g/823g/824g/825g/826g/827g/828g/829g/830g/831g/832g/833g/834g/835g/836g/837g/838g/839g/840g/841g/842g/843g/844g/845g/846g/847g/848g/849g/850g/851g/852g/853g/854g/855g/856g/857g/858g/859g/860g/861g/862g/863g/864g/865g/866g/867g/868g/869g/870g/871g/872g/873g/874g/875g/876g/877g/878g/879g/880g/881g/882g/883g/884g/885g/886g/887g/888g/889g/890g/891g/892g/893g/894g/895g/896g/897g/898g/899g/900g/901g/902g/903g/904g/905g/906g/907g/908g/909g/910g/911g/912g/913g/914g/915g/916g/917g/918g/919g/920g/921g/922g/923g/924g/925g/926g/927g/928g/929g/930g/931g/932g/933g/934g/935g/936g/937g/938g/939g/940g/941g/942g/943g/944g/945g/946g/947g/948g/949g/950g/951g/952g/953g/954g/955g/956g/957g/958g/959g/960g/961g/962g/963g/964g/965g/966g/967g/968g/969g/970g/971g/972g/973g/974g/975g/976g/977g/978g/979g/980g/981g/982g/983g/984g/985g/986g/987g/988g/989g/990g/991g/992g/993g/994g/995g/996g/997g/998g/999g/1000g/1001g/1002g/1003g/1004g/1005g/1006g/1007g/1008g/1009g/1010g/1011g/1012g/1013g/1014g/1015g/1016g/1017g/1018g/1019g/1020g/1021g/1022g/1023g/1024g/1025g/1026g/1027g/1028g/1029g/1030g/1031g/1032g/1033g/1034g/1035g/1036g/1037g/1038g/1039g/1040g/1041g/1042g/1043g/1044g/1045g/1046g/1047g/1048g/1049g/1050g/1051g/1052g/1053g/1054g/1055g/1056g/1057g/1058g/1059g/1060g/1061g/1062g/1063g/1064g/1065g/1066g/1067g/1068g/1069g/1070g/1071g/1072g/1073g/1074g/1075g/1076g/1077g/1078g/1079g/1080g/1081g/1082g/1083g/1084g/1085g/1086g/1087g/1088g/1089g/1090g/1091g/1092g/1093g/1094g/1095g/1096g/1097g/1098g/1099g/1100g/1101g/1102g/1103g/1104g/1105g/1106g/1107g/1108g/1109g/1110g/1111g/1112g/1113g/1114g/1115g/1116g/1117g/1118g/1119g/1120g/1121g/1122g/1123g/1124g/1125g/1126g/1127g/1128g/1129g/1130g/1131g/1132g/1133g/1134g/1135g/1136g/1137g/1138g/1139g/1140g/1141g/1142g/1143g/1144g/1145g/1146g/1147g/1148g/1149g/1150g/1151g/1152g/1153g/1154g/1155g/1156g/1157g/1158g/1159g/1160g/1161g/1162g/1163g/1164g/1165g/1166g/1167g/1168g/1169g/1170g/1171g/1172g/1173g/1174g/1175g/1176g/1177g/1178g/1179g/1180g/1181g/1182g/1183g/1184g/1185g/1186g/1187g/1188g/1189g/1190g/1191g/1192g/1193g/1194g/1195g/1196g/1197g/1198g/1199g/1200g/1201g/1202g/1203g/1204g/1205g/1206g/1207g/1208g/1209g/1210g/1211g/1212g/1213g/1214g/1215g/1216g/1217g/1218g/1219g/1220g/1221g/1222g/1223g/1224g/1225g/1226g/1227g/1228g/1229g/1230g/1231g/1232g/1233g/1234g/1235g/1236g/1237g/1238g/1239g/1240g/1241g/1242g/1243g/1244g/1245g/1246g/1247g/1248g/1249g/1250g/1251g/1252g/1253g/1254g/1255g/1256g/1257g/1258g/1259g/1260g/1261g/1262g/1263g/1264g/1265g/1266g/1267g/1268g/1269g/1270g/1271g/1272g/1273g/1274g/1275g/1276g/1277g/1278g/1279g/1280g/1281g/1282g/1283g/1284g/1285g/1286g/1287g/1288g/1289g/1290g/1291g/1292g/1293g/1294g/1295g/1296g/1297g/1298g/1299g/1300g/1301g/1302g/1303g/1304g/1305g/1306g/1307g/1308g/1309g/1310g/1311g/1312g/1313g/1314g/1315g/1316g/1317g/1318g/1319g/1320g/1321g/1322g/1323g/1324g/1325g/1326g/1327g/1328g/1329g/1330g/1331g/1332g/1333g/1334g/1335g/1336g/1337g/1338g/1339g/1340g/1341g/1342g/1343g/1344g/1345g/1346g/1347g/1348g/1349g/1350g/1351g/1352g/1353g/1354g/1355g/1356g/1357g/1358g/1359g/1360g/1361g/1362g/1363g/1364g/1365g/1366g/1367g/1368g/1369g/1370g/1371g/1372g/1373g/1374g/1375g/1376g/1377g/1378g/1379g/1380g/1381g/1382g/1383g/1384g/1385g/1386g/1387g/1388g/1389g/1390g/1391g/1392g/1393g/1394g/1395g/1396g/1397g/1398g/1399g/1400g/1401g/1402g/1403g/1404g/1405g/1406g/1407g/1408g/1409g/1410g/1411g/1412g/1413g/1414g/1415g/1416g/1417g/1418g/1419g/1420g/1421g/1422g/1423g/1424g/1425g/1426g/1427g/1428g/1429g/1430g/1431g/1432g/1433g/1434g/1435g/1436g/1437g/1438g/1439g/1440g/1441g/1442g/1443g/1444g/1445g/1446g/1447g/1448g/1449g/1450g/1451g/1452g/1453g/1454g/1455g/1456g/1457g/1458g/1459g/1460g/1461g/1462g/1463g/1464g/1465g/1466g/1467g/1468g/1469g/1470g/1471g/1472g/1473g/1474g/1475g/1476g/1477g/1478g/1479g/1480g/1481g/1482g/1483g/1484g/1485g/1486g/1487g/1488g/1489g/1490g/1491g/1492g/1493g/1494g/1495g/1496g/1497g/1498g/1499g/1500g/1501g/1502g/1503g/1504g/1505g/1506g/1507g/1508g/1509g/1510g/1511g/1512g/1513g/1514g/1515g/1516g/1517g/1518g/1519g/1520g/1521g/1522g/1523g/1524g/1525g/1526g/1527g/1528g/1529g/1530g/1531g/1532g/1533g/1534g/1535g/1536g/1537g/1538g/1539g/1540g/1541g/1542g/1543g/1544g/1545g/1546g/1547g/1548g/1549g/1550g/1551g/1552g/1553g/1554g/1555g/1556g/1557g/1558g/1559g/1560g/1561g/1562g/1563g/1564g/1565g/1566g/1567g/1568g/1569g/1570g/1571g/1572g/1573g/1574g/1575g/1576g/1577g/1578g/1579g/1580g/1581g/1582g/1583g/1584g/1585g/1586g/1587g/1588g/1589g/1590g/1591g/1592g/1593g/1594g/1595g/1596g/1597g/1598g/1599g/1600g/1601g/1602g/1603g/1604g/1605g/1606g/1607g/1608g/1609g/1610g/1611g/1612g/1613g/1614g/1615g/1616g/1617g/1618g/1619g/1620g/1621g/1622g/1623g/1624g/1625g/1626g/1627g/1628g/1629g/1630g/1631g/1632g/1633g/1634g/1635g/1636g/1637g/1638g/1639g/1640g/1641g/1642g/1643g/1644g/1645g/1646g/1647g/1648g/1649g/1650g/1651g/1652g/1653g/1654g/1655g/1656g/1657g/1658g/1659g/1660g/1661g/1662g/1663g/1664g/1665g/1666g/1667g/1668g/1669g/1670g/1671g/1672g/1673g/1674g/1675g/1676g/1677g/1678g/1679g/1680g/1681g/1682g/1683g/1684g/1685g/1686g/1687g/1688g/1689g/1690g/1691g/1692g/1693g/1694g/1695g/1696g/1697g/1698g/1699g/1700g/1701g/1702g/1703g/1704g/1705g/1706g/1707g/1708g/1709g/1710g/1711g/1712g/1713g/1714g/1715g/1716g/1717g/1718g/1719g/1720g/1721g/1722g/1723g/1724g/1725g/1726g/1727g/1728g/1729g/1730g/1731g/1732g/1733g/1734g/1735g/1736g/1737g/1738g/1739g/1740g/1741g/1742g/1743g/1744g/1745g/1746g/1747g/1748g/1749g/1750g/1751g/1752g/1753g/1754g/1755g/1756g/1757g/1758g/1759g/1760g/1761g/1762g/1763g/1764g/1765g/1766g/1767g/1768g/1769g/1770g/1771g/1772g/1773g/1774g/1775g/1776g/1777g/1778g/1779g/1780g/1781g/1782g/1783g/1784g/1785g/1786g/1787g/1788g/1789g/1790g/1791g/1792g/1793g/1794g/1795g/1796g/1797g/1798g/1799g/1800g/1801g/1802g/1803g/1804g/1805g/1806g/1807g/1808g/1809g/1810g/1811g/1812g/1813g/1814g/1815g/1816g/1817g/1818g/1819g/1820g/1821g/1822g/1823g/1824g/1825g/1826g/1827g/1828g/1829g/1830g/1831g/1832g/1833g/1834g/1835g/1836g/1837g/1838g/1839g/1840g/1841g/1842g/1843g/1844g/1845g/1846g/1847g/1848g/1849g/1850g/1851g/1852g/1853g/1854g/1855g/1856g/1857g/1858g/1859g/1860g/1861g/1862g/1863g/1864g/1865g/1866g/1867g/1868g/1869g/1870g/1871g/1872g/1873g/1874g/1875g/1876g/1877g/1878g/1879g/1880g/1881g/1882g/1883g/1884g/1885g/1886g/1887g/1888g/1889g/1890g/1891g/1892g/1893g/1894g/1895g/1896g/1897g/1898g/1899g/1900g/1901g/1902g/1903g/1904g/1905g/1906g/1907g/1908g/1909g/1910g/1911g/1912g/1913g/1914g/1915g/1916g/1917g/1918g/1919g/1920g/1921g/1922g/1923g/1924g/1925g/1926g/1927g/1928g/1929g/1930g/1931g/1932g/1933g/1934g/1935g/1936g/1937g/1938g/1939g/1940g/1941g/1942g/1943g/1944g/1945g/1946g/1947g/1948g/1949g/1950g/1951g/1952g/1953g/1954g/1955g/1956g/1957g/1958g/1959g/1960g/1961g/1962g/1963g/1964g/1965g/1966g/1967g/1968g/1969g/1970g/1971g/1972g/1973g/1974g/1975g/1976g/1977g/1978g/1979g/1980g/1981g/1982g/1983g/1984g/1985g/1986g/1987g/1988g/1989g/1990g/1991g/1992g/1993g/1994g/1995g/1996g/1997g/1998g/1999g/2000g/2001g/2002g/2003g/2004g/2005g/2006g/2007g/2008g/2009g/2010g/2011g/2012g/2013g/2014g/2015g/2016g/2017g/2018g/2019g/2020g/2021g/2022g/2023g/2024g/2025g/2026g/2027g/2028g/2029g/2030g/2031g/2032g/2033g/2034g/2035g/2036g/2037g/2038g/2039g/2040g/2041g/2042g/2043g/2044g/2045g/2046g/2047g/2048g/2049g/2050g/2051g/2052g/2053g/2054g/2055g/2056g/2057g/2058g/2059g/2060g/2061g/2062g/2063g/2064g/2065g/2066g/2067g/2068g/2069g/2070g/2071g/2072g/2073g/2074g/2075g/2076g/2077g/2078g/2079g/2080g/2081g/2082g/2083g/2084g/2085g/2086g/2087g/2088g/2089g/2090g/2091g/2092g/2093g

web dec 1 2022 these needs of the next generation wireless communication systems are expected to be met by sixth generation 6g communication technologies the standardization process for fifth generation is now complete and

an overview of wireless communication technology using deep learning - Jan 16 2023

web dec 29 2021 with the development of 5g the future wireless communication network tends to be more and more intelligent in the face of new service demands of communication in the future such as super heterogeneous network multiple communication scenarios large number of antenna elements and large bandwidth new

5g 6g and beyond recent advances and future challenges - Feb 17 2023

web jan 20 2023 current wireless technologies 4g are full ip based future wireless technologies 5g and beyond are cloud and iot based 1 multi tier architecture two tier architecture has two different layers upper and lower operating at the same frequency

pdf a survey on future generation wireless communications - Sep 12 2022

web oct 15 2021 a survey on future generation wireless communications 6g requirements technologies challenges and applications october 2021 international journal of advanced trends in computer science and

evolution and impact of wi fi technology and applications a - Aug 23 2023

web nov 19 2020 the research trend in 5g 6g 7g 8g opens a horizon for higher precision wi fi positioning then we discussed how the dominant physical layer wireless communication technologies wireless optical spread spectrum ofdm and mimo and mmwave uwb technologies were first implemented in the ieee 802 11 standards for

the top 10 wireless technologies and trends that will drive gartner - Jun 09 2022

web apr 24 2019 summary wireless technologies will enable innovation in areas as diverse as sensing security communications location tracking and user experience enterprise architecture and technology innovation leaders must identify and deploy those technologies that can enable new business capabilities

a vision of 6g wireless systems applications trends technologies - Jul 22 2023

web we opine that 6g will not be a mere exploration of more spectrum at high frequency bands but it will rather be a convergence of upcoming technological trends driven by exciting underlying services in this regard we first identify the primary drivers of 6g systems in terms of applications and accompanying technological trends

gartner identifies the top 10 strategic technology trends for 2024 - Feb 05 2022

web oct 16 2023 the top strategic technology trends for 2024 are democratized generative ai generative ai genai is becoming democratized by the confluence of massively pretrained models cloud computing and open source making these models accessible to workers worldwide by 2026 gartner predicts that over 80 of enterprises will have

6g wireless communication systems applications - Dec 15 2022

web draft 6g wireless communication systems applications requirements technologies challenges and research directions
mostafa zaman chowdhury¹ md shahjalal¹ shakil ahmed³ and yeong min jang¹ ¹dept of electronics engineering kookmin
university seoul republic of korea ²dept of electrical and electronic engineering

future wireless communications systems and protocols nist - May 08 2022

web dec 1 2017 summary 5g and beyond communications will include several technical advancements that enable
innovative applications such as wireless backhauling augmented virtual reality ar vr 8k video streaming and sensing this
project is focused on system level insights and performance analyses of emerging wireless protocols and

top 10 wireless technology trends for 2019 beyond gartner - Sep 24 2023

web jul 23 2019 the top 10 wireless technology trends are 1 wi fi wi fi has been around a long time and will remain the
primary high performance networking technology for homes and offices through 2024 beyond simple communications wi fi
will find new roles for example in radar systems or as a component in two factor authentication systems 2 5g

new technologies and research trends for wireless mobile and - May 20 2023

web mar 28 2015 this special issue aims to provide the readers with a focused set of peer reviewed articles to reflect the
latest research results on advanced issues in convergence of wireless and mobile multimedia and ubiquitous computing
technologies

recent trends and challenges in wireless networks ieee xplore - Mar 06 2022

web jun 18 2006 this paper presents the keynote speech on the 7th international symposium on computer networks held in
istanbul turkey it addresses the current trends in research and development in wireless networks and communications it also
sheds some light on the future and challenges facing the progress in this fascinating technology the speech

new trends and advancement in next generation mobile wireless hindawi - Aug 11 2022

web dec 11 2021 the enabling of ai in wireless communication technology is in its early research phase and a long term
research planning is desirable before the actual technology grows up to maturity the growing tendency towards ai indicates
the high probability of technology growth in the upcoming decade

gartner top 10 strategic technology trends 2024 - Jul 10 2022

web oct 16 2023 1 the gartner annual top strategic technology trends research helps you prioritize your investments
especially in the age of ai 2 the trends for 2024 deliver one or more key benefits protecting your investment optimizing the
rise of intelligent app solution builders and delivering increased value 3

6g wireless communication systems applications requirements - Oct 13 2022

web jul 20 2020 this article describes emerging technologies such as artificial intelligence terahertz communications
wireless optical technology free space optical network blockchain three dimensional networking quantum communications

unmanned aerial vehicles cell free communications integration of wireless information and energy

research on development status of modern wireless communication - Apr 07 2022

web dec 18 2020 this paper analyzes the future development trend of modern wireless communication technology including the era of wireless communication technology reform the development trend of broadband and the improvement of personal information development trend