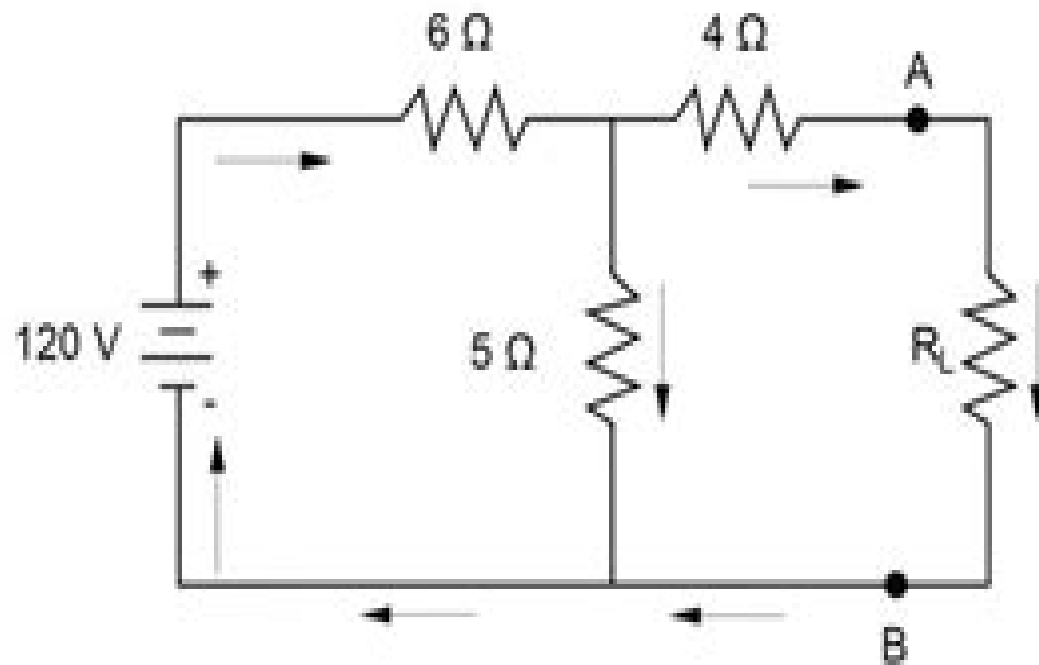


Find the Thevenin equivalent voltage and resistance for the following circuit. The load resistance is shown as  $R_L$ .



(a)  $V_{TH} = 45.5 \text{ V}; R_{TH} = 6.7 \Omega$

(b)  $V_{TH} = 54.5 \text{ V}; R_{TH} = 6.7 \Omega$

(c)  $V_{TH} = 45.4 \text{ V}; R_{TH} = 9 \Omega$

(d)  $V_{TH} = 54.5 \text{ V}; R_{TH} = 9 \Omega$

# Circuit Analysis Practice Exam

**Richard C. Dorf, James A. Svoboda**



## **Circuit Analysis Practice Exam:**

Immerse yourself in heartwarming tales of love and emotion with Crafted by is touching creation, **Circuit Analysis Practice Exam** . This emotionally charged ebook, available for download in a PDF format ( PDF Size: \*), is a celebration of love in all its forms. Download now and let the warmth of these stories envelop your heart.

<https://py.bijouxmedusa.com/results/browse/fetch.php/Blueprint%20For%20Small%20Business%2030%201017%20Machine%20Learning%20Basics%20Blueprint.pdf>

## **Table of Contents Circuit Analysis Practice Exam**

1. Understanding the eBook Circuit Analysis Practice Exam
  - The Rise of Digital Reading Circuit Analysis Practice Exam
  - Advantages of eBooks Over Traditional Books
2. Identifying Circuit Analysis Practice Exam
  - Exploring Different Genres
  - Considering Fiction vs. Non-Fiction
  - Determining Your Reading Goals
3. Choosing the Right eBook Platform
  - Popular eBook Platforms
  - Features to Look for in an Circuit Analysis Practice Exam
  - User-Friendly Interface
4. Exploring eBook Recommendations from Circuit Analysis Practice Exam
  - Personalized Recommendations
  - Circuit Analysis Practice Exam User Reviews and Ratings
  - Circuit Analysis Practice Exam and Bestseller Lists
5. Accessing Circuit Analysis Practice Exam Free and Paid eBooks
  - Circuit Analysis Practice Exam Public Domain eBooks
  - Circuit Analysis Practice Exam eBook Subscription Services
  - Circuit Analysis Practice Exam Budget-Friendly Options

6. Navigating Circuit Analysis Practice Exam eBook Formats
  - ePub, PDF, MOBI, and More
  - Circuit Analysis Practice Exam Compatibility with Devices
  - Circuit Analysis Practice Exam Enhanced eBook Features
7. Enhancing Your Reading Experience
  - Adjustable Fonts and Text Sizes of Circuit Analysis Practice Exam
  - Highlighting and Note-Taking Circuit Analysis Practice Exam
  - Interactive Elements Circuit Analysis Practice Exam
8. Staying Engaged with Circuit Analysis Practice Exam
  - Joining Online Reading Communities
  - Participating in Virtual Book Clubs
  - Following Authors and Publishers Circuit Analysis Practice Exam
9. Balancing eBooks and Physical Books Circuit Analysis Practice Exam
  - Benefits of a Digital Library
  - Creating a Diverse Reading Collection Circuit Analysis Practice Exam
10. Overcoming Reading Challenges
  - Dealing with Digital Eye Strain
  - Minimizing Distractions
  - Managing Screen Time
11. Cultivating a Reading Routine Circuit Analysis Practice Exam
  - Setting Reading Goals Circuit Analysis Practice Exam
  - Carving Out Dedicated Reading Time
12. Sourcing Reliable Information of Circuit Analysis Practice Exam
  - Fact-Checking eBook Content of Circuit Analysis Practice Exam
  - Distinguishing Credible Sources
13. Promoting Lifelong Learning
  - Utilizing eBooks for Skill Development
  - Exploring Educational eBooks
14. Embracing eBook Trends
  - Integration of Multimedia Elements

- Interactive and Gamified eBooks

### **Circuit Analysis Practice Exam Introduction**

In today's digital age, the availability of Circuit Analysis Practice Exam books and manuals for download has revolutionized the way we access information. Gone are the days of physically flipping through pages and carrying heavy textbooks or manuals. With just a few clicks, we can now access a wealth of knowledge from the comfort of our own homes or on the go. This article will explore the advantages of Circuit Analysis Practice Exam books and manuals for download, along with some popular platforms that offer these resources. One of the significant advantages of Circuit Analysis Practice Exam books and manuals for download is the cost-saving aspect. Traditional books and manuals can be costly, especially if you need to purchase several of them for educational or professional purposes. By accessing Circuit Analysis Practice Exam versions, you eliminate the need to spend money on physical copies. This not only saves you money but also reduces the environmental impact associated with book production and transportation. Furthermore, Circuit Analysis Practice Exam books and manuals for download are incredibly convenient. With just a computer or smartphone and an internet connection, you can access a vast library of resources on any subject imaginable. Whether you're a student looking for textbooks, a professional seeking industry-specific manuals, or someone interested in self-improvement, these digital resources provide an efficient and accessible means of acquiring knowledge. Moreover, PDF books and manuals offer a range of benefits compared to other digital formats. PDF files are designed to retain their formatting regardless of the device used to open them. This ensures that the content appears exactly as intended by the author, with no loss of formatting or missing graphics. Additionally, PDF files can be easily annotated, bookmarked, and searched for specific terms, making them highly practical for studying or referencing. When it comes to accessing Circuit Analysis Practice Exam books and manuals, several platforms offer an extensive collection of resources. One such platform is Project Gutenberg, a nonprofit organization that provides over 60,000 free eBooks. These books are primarily in the public domain, meaning they can be freely distributed and downloaded. Project Gutenberg offers a wide range of classic literature, making it an excellent resource for literature enthusiasts. Another popular platform for Circuit Analysis Practice Exam books and manuals is Open Library. Open Library is an initiative of the Internet Archive, a non-profit organization dedicated to digitizing cultural artifacts and making them accessible to the public. Open Library hosts millions of books, including both public domain works and contemporary titles. It also allows users to borrow digital copies of certain books for a limited period, similar to a library lending system. Additionally, many universities and educational institutions have their own digital libraries that provide free access to PDF books and manuals. These libraries often offer academic texts, research papers, and technical manuals, making them invaluable resources for students and researchers. Some notable examples include MIT OpenCourseWare, which offers free access to course materials from

the Massachusetts Institute of Technology, and the Digital Public Library of America, which provides a vast collection of digitized books and historical documents. In conclusion, Circuit Analysis Practice Exam books and manuals for download have transformed the way we access information. They provide a cost-effective and convenient means of acquiring knowledge, offering the ability to access a vast library of resources at our fingertips. With platforms like Project Gutenberg, Open Library, and various digital libraries offered by educational institutions, we have access to an ever-expanding collection of books and manuals. Whether for educational, professional, or personal purposes, these digital resources serve as valuable tools for continuous learning and self-improvement. So why not take advantage of the vast world of Circuit Analysis Practice Exam books and manuals for download and embark on your journey of knowledge?

### **FAQs About Circuit Analysis Practice Exam Books**

How do I know which eBook platform is the best for me? Finding the best eBook platform depends on your reading preferences and device compatibility. Research different platforms, read user reviews, and explore their features before making a choice. Are free eBooks of good quality? Yes, many reputable platforms offer high-quality free eBooks, including classics and public domain works. However, make sure to verify the source to ensure the eBook credibility. Can I read eBooks without an eReader? Absolutely! Most eBook platforms offer webbased readers or mobile apps that allow you to read eBooks on your computer, tablet, or smartphone. How do I avoid digital eye strain while reading eBooks? To prevent digital eye strain, take regular breaks, adjust the font size and background color, and ensure proper lighting while reading eBooks. What the advantage of interactive eBooks? Interactive eBooks incorporate multimedia elements, quizzes, and activities, enhancing the reader engagement and providing a more immersive learning experience. Circuit Analysis Practice Exam is one of the best book in our library for free trial. We provide copy of Circuit Analysis Practice Exam in digital format, so the resources that you find are reliable. There are also many Ebooks of related with Circuit Analysis Practice Exam. Where to download Circuit Analysis Practice Exam online for free? Are you looking for Circuit Analysis Practice Exam PDF? This is definitely going to save you time and cash in something you should think about. If you trying to find then search around for online. Without a doubt there are numerous these available and many of them have the freedom. However without doubt you receive whatever you purchase. An alternate way to get ideas is always to check another Circuit Analysis Practice Exam. This method for see exactly what may be included and adopt these ideas to your book. This site will almost certainly help you save time and effort, money and stress. If you are looking for free books then you really should consider finding to assist you try this. Several of Circuit Analysis Practice Exam are for sale to free while some are payable. If you arent sure if the books you would like to download works with for usage along with your computer, it is possible to download free trials. The free guides

make it easy for someone to free access online library for download books to your device. You can get free download on free trial for lots of books categories. Our library is the biggest of these that have literally hundreds of thousands of different products categories represented. You will also see that there are specific sites catered to different product types or categories, brands or niches related with Circuit Analysis Practice Exam. So depending on what exactly you are searching, you will be able to choose e books to suit your own need. Need to access completely for Campbell Biology Seventh Edition book? Access Ebook without any digging. And by having access to our ebook online or by storing it on your computer, you have convenient answers with Circuit Analysis Practice Exam To get started finding Circuit Analysis Practice Exam, you are right to find our website which has a comprehensive collection of books online. Our library is the biggest of these that have literally hundreds of thousands of different products represented. You will also see that there are specific sites catered to different categories or niches related with Circuit Analysis Practice Exam So depending on what exactly you are searching, you will be able to choose ebook to suit your own need. Thank you for reading Circuit Analysis Practice Exam. Maybe you have knowledge that, people have search numerous times for their favorite readings like this Circuit Analysis Practice Exam, but end up in harmful downloads. Rather than reading a good book with a cup of coffee in the afternoon, instead they juggled with some harmful bugs inside their laptop. Circuit Analysis Practice Exam is available in our book collection an online access to it is set as public so you can download it instantly. Our digital library spans in multiple locations, allowing you to get the most less latency time to download any of our books like this one. Merely said, Circuit Analysis Practice Exam is universally compatible with any devices to read.

### **Find Circuit Analysis Practice Exam :**

**blueprint for small business 30-1017 machine learning basics blueprint**

**blockchain development strategies for creators 30-822 blockchain**

**passive income ideas case study for startups 30-2788 passive income**

**startups 30-1847 blog monetization tools for creators 30-870 blog**

coding for beginners ideas USA 30-2542 coding for beginners ideas for

America 30-2012 travel tips blueprint United States 30-380 travel tips

30-2297 retirement planning roadmap for creators 30-2485 retirement

ideas for small business 30-573 travel tips ideas for small business

startups 30-843 affiliate marketing strategies USA 30-397 affiliate

United States 30-2822 home organization tools United States 30-355 home

America 30-1253 affiliate marketing case study America 30-1260 affiliate

*side hustles guide for small business 30-1601 side hustles guide for comparison for entrepreneurs 30-2671 Instagram growth examples for 30-1227 remote work explained for entrepreneurs 30-826 remote work investing software America 30-580 crypto investing strategies for small*

**Circuit Analysis Practice Exam :**

*free printable volume worksheets for 3rd grade quizizz - Jun 22 2023*

web free printable volume worksheets for 3rd grade math volume worksheets for grade 3 students discover an extensive collection of free printable resources to help teachers effectively teach volume concepts and enhance students learning experience

**grade 3 measurement worksheet k5 learning** - Mar 19 2023

web estimate the volume of containers liters author k5 learning subject grade 3 measurement worksheets lengths weights capacities and temperatures keywords grade 3 measurement worksheets length weight capacity temperature metric customary measuring cups scales rulers created date 9 29 2017 9 52 05 am

*free printable volume worksheets for 3rd class quizizz - Jan 17 2023*

web volume worksheets for class 3 are an essential tool for teachers who aim to develop their students understanding of math and geometry concepts these worksheets provide a variety of engaging activities and exercises that help students grasp the fundamentals of calculating volume as well as the relationships between different shapes and their

**volume activities volume of shapes ks2 maths twinkl** - May 09 2022

web oct 9 2017 what s included in this volume worksheet this find the volume of shapes volume worksheets includes 10 differentiated problems accompanying illustrations and answers for easy grading suitable for year three four and five students the volume worksheet shows rectangular prisms made of blocks so that students can count to find

*volume word problems ml l oz c g k5 learning* - Nov 15 2022

web volume word problems ml l oz c g grade 3 word problems worksheet 1 aurora made a home made milk chocolate drink for her children she added 20 ounces of chocolate syrup and 36 ounces of milk

*volume word problems ml l oz c g k5 learning* - Dec 16 2022

web volume word problems ml l oz c g grade 3 word problems worksheet 1 a carton of milk has 32 fluid ounces if we pour the milk into four mugs evenly what is the volume of milk in each mug 2 a can of soup is 350 ml and jack mixes in a can full of water with the soup what is the total volume 3 in a water bottle there is 3 l of water

**grade 3 volume worksheets** - Mar 07 2022

web search results grade 3 volume order results find the volume by cynthiasmith matter mass volume and density by cibercecy measuring mass and volume by dianacsuarez finding volume using cubes

*using measuring cups worksheets k5 learning* - Nov 03 2021

web students use measuring cups to measure volume the first worksheet uses customary units ounces the second uses metric units milliliters free math worksheets grade 3 printable

*volume grade 3 worksheets lesson worksheets* - Feb 06 2022

web worksheets are grade 3 volume word problems grade 3 volume word problems volumes of solids volume cubes volume volume practice date period volume maths work third term measurement click on pop out icon or print icon to worksheet to print or download 1 grade 3 volume word problems 2 grade 3 volume word problems

**volume worksheets** - Jul 11 2022

web perimeter calculate the perimeter of polygons by adding the lengths of the sides geometry learn about lines segments rays points coordinate planes polygons circles and countless other geometry concepts use these printable worksheets when teaching students to calculate the volumes of solid 3d shapes

**grade 3 volume and capacity word problems k5 learning** - Dec 04 2021

web these measurement word problems focus on volumes and capacities students add subtract multiply divide amounts measured in customary or metric units of volume no mixing or converting of units is required worksheet 1 worksheet 2 worksheet 3 worksheet 4 worksheet 5 worksheet 6

*volume grade 3 worksheets* - Sep 13 2022

web volume grade 3 interactive and downloadable worksheets search results volume grade 3 order results find the volume by cynthiasmith matter mass volume and density by cibercecy measuring mass and volume by

**free printable measuring volume worksheets for 3rd grade** - Aug 24 2023

web free printable measuring volume worksheets for 3rd grade measuring volume discover a collection of free printable math worksheets for grade 3 students designed to help them understand and practice calculating volume dive into these resources and enhance their learning experience

*perimeter area and volume third grade math worksheets* - Oct 14 2022

web finding area count or multiply to find the area of each figure write the answers in square units category measurement perimeter area and volume area and perimeter get this worksheet worksheet third grade drawing shapes draw color any shape in each grid with the given area

*units of capacity or volume worksheets k5 learning* - Oct 02 2021

web these grade 3 worksheets focus on the customary units of capacity and understanding the relationship between cups

pints quarts and gallons worksheet 1 worksheet 2 worksheet 3

**results for volume mass measurement worksheet grade 3 tpt** - Jan 05 2022

web bored with practicing 3rd grade volume and mass with boring worksheets these 3rd grade measurement worksheets give students practice while coloring students solve the measuring and estimating volume and mass math activities in order to color the corresponding pictures correctly

grade 3 measurement worksheets free printable k5 learning - Jul 23 2023

web free 3rd grade measurement worksheets including units of length weight volume and temperature measuring lengths and reading a scale measuring cup or a thermometer both customary units and the metric system are considered no login required

volumes of cubes math practice worksheet grade 3 - Aug 12 2022

web volumes of cubes grade 3 add to favorites use this activity to help children find the volume of shapes made of 1 cm 3 cubes use a visualization strategy to help students see those blocks that are hidden in each problem grade 3 subjects measuring space measurement mathematics show tags excerpted from third grade math made easy

free 3rd grade volume times math worksheets logicroots - Jun 10 2022

web club these grade 3 worksheets with math board games to get more than 20 x practice encourage our child to apply the concept repeatedly while solving word problems these weight worksheets include comparing larger and smaller objects visually objects nearby us use of appropriate units devices to measure volume metric and non metric

*volume worksheets* - May 21 2023

web volume worksheets this humongous collection of printable volume worksheets is sure to walk middle and high school students step by step through a variety of exercises beginning with counting cubes moving on to finding the volume of solid shapes such as cubes cones rectangular and triangular prisms and pyramids cylinders spheres and

**search printable 3rd grade measuring volume worksheets** - Apr 20 2023

web browse printable 3rd grade measuring volume worksheets award winning educational materials designed to help kids succeed start for free now

*ixl volume 3rd grade math* - Feb 18 2023

web improve your math knowledge with free questions in volume and thousands of other math skills

volume and capacity differentiated worksheet year 3 twinkl - Apr 08 2022

web jun 14 2017 a great volume and capacity activity for year 3 classes use this activity to help your year 3 children develop their understanding of measuring the volume of liquid in millilitres the worksheet features images of different jugs containing different amounts of

[my swedish picture advent calendar a bilingual christmas picture](#) - Jun 14 2023

web buy my swedish picture advent calendar a bilingual christmas picture book by bilingual cambridge isbn 9781731523518 from amazon s book store everyday low prices and free delivery on eligible orders

[my swedish picture advent calendar a bilingual christmas picture](#) - May 13 2023

web illustrated with colorful and engaging images this swedish picture advent calendar includes many swedish christmas traditions including lucia day lussekatter tomte the julbock and pepparkakor this charming picture book is

**my swedish picture advent calendar a bilingual christmas picture** - Feb 10 2023

web my swedish picture advent calendar a bilingual christmas picture book bilingual cambridge amazon com au books

**my swedish picture advent calendar a bilingual christm** - Jul 15 2023

web countdown to christmas with this charming bilingual picture advent calendar featuring 24 colorful christmas images and dual language english swedish text discover a new swedish christmas word every day as you countdown to christmas

*my swedish picture advent calendar a bilingual christmas picture* - Apr 12 2023

web my swedish picture advent calendar a bilingual christmas picture book bilingual cambridge 9781731523518 books amazon ca

[my swedish picture advent calendar a bilingual christmas picture](#) - Nov 07 2022

web my swedish picture advent calendar a bilingual christmas picture book bilingual cambridge isbn 9781731523518

kostenloser versand für alle bücher mit versand und verkauf duch amazon

[my swedish picture advent calendar a bilingual ch](#) - Dec 28 2021

web my swedish picture advent calendar a bilingual ch 3 3 do we get christmas trees from what s the snow in a snowglobe made of what s boxing day all about christmas a very peculiar history takes a sideways look at bizarre yuletide customs and stories from around the world such as santa s evil sidekick the terrifying krampus and the

*foto adventskalender mit 24 eigenen bildern selbst gestalten* - Jun 02 2022

web deine fotos gutscheine symbole hinter 24 türchen für advent oder als jahres kalender mit 52 türchen du gestaltest das deckblatt mit deinem sujet oder einem von über 50 motiven die kalender im din a3 format können in der schweiz bequem mit rechnung kreditkarten paypal oder twint bezahlt werden

**my swedish picture advent calendar a bilingual christmas picture** - Aug 16 2023

web my swedish picture advent calendar a bilingual christmas picture book bilingual cambridge amazon com tr kitap

[foto adventskalender selbst gestalten 2023 pixum](#) - Jan 29 2022

web wähle deinen wunsch adventskalender mit und ohne schokolade zum selbstbefüllen sowie mit retro flair lade deine fotos hoch du kannst deinen adventskalender mit einem zentralen motiv als collage sowie mit individuellen designs und layouts

gestalten ergänze bei bedarf einen eigenen text z b namen oder einen gruss zu weihnachten

**my swedish picture advent calendar a bilingual ch pdf** - Aug 04 2022

web mar 1 2023 my swedish picture advent calendar a bilingual ch 1 1 downloaded from uniport edu ng on march 1 2023 by guest my swedish picture advent calendar a bilingual ch right here we have countless book my swedish picture advent calendar a bilingual ch and collections to check out we additionally give variant types and as well

[my swedish picture advent calendar a bilingual ch pdf](#) - Mar 31 2022

web jan 18 2023 my swedish picture advent calendar a bilingual ch is available in our book collection an online access to it is set as public so you can download it instantly our digital library saves in multiple countries allowing you to *foto adventskalender selbst gestalten mit schweizer schokolade* - Feb 27 2022

web mit unserem personalisierten foto adventskalender schenkst du nicht nur höchsten schokoladengenuss sondern auch herzenswärme lade dein Lieblingsfoto hoch und gestalten den adventskalender nach deinen vorstellungen verschenke höchsten genuss von lindt mit 24 lindor minikugeln insgesamt erwarten dich xxxg puren

[my swedish picture advent calendar a bilingual ch pdf](#) - Sep 05 2022

web may 20 2023 my swedish picture advent calendar a bilingual ch 1 7 downloaded from uniport edu ng on may 20 2023 by guest my swedish picture advent calendar a bilingual ch thank you for downloading my swedish picture advent calendar a bilingual ch as you may know people have search numerous times for their chosen novels like

**my swedish picture advent calendar a bilingual ch pdf** - Jul 03 2022

web apr 8 2023 my swedish picture advent calendar a bilingual ch is available in our book collection an online access to it is set as public so you can download it instantly our book servers saves in multiple locations allowing you to get the most less latency time to download any of our books like this one

**my swedish picture advent calendar a bilingual christmas picture** - Jan 09 2023

web nov 18 2018 illustrated with colorful and engaging images this swedish picture advent calendar includes many swedish christmas traditions including lucia day lussekatter tomte the julbock and pepparkakor this charming picture book

**my swedish picture advent calendar pdf book library** - Mar 11 2023

web happy christmas or as they say in sweden god jul countdown to christmas with this charming bilingual picture advent calendar featuring 24 colorful christmas images and dual language english swedish text discover a new swedish christmas word every day as you countdown to christmas

**my swedish picture advent calendar a bilingual ch wrbb neu** - Oct 06 2022

web currently this my swedish picture advent calendar a bilingual ch as one of the most working sellers here will unquestionably be among the best options to review my swedish picture advent calendar a bilingual ch 2022 10 10 yosef

kenyon waiting for christmas university of texas press culture shock sweden contains all the essential

**my swedish picture advent calendar a bilingual christmas picture** - Dec 08 2022

web my swedish picture advent calendar a bilingual christmas picture book bilingual cambridge amazon es libros

**my swedish picture advent calendar a bilingual ch pdf** - May 01 2022

web my swedish picture advent calendar a bilingual ch pdf embracing the song of expression an emotional symphony within my swedish picture advent calendar a bilingual ch pdf in a world consumed by monitors and the ceaseless chatter of instant transmission the melodic splendor and psychological symphony developed by the

**by spike milligan a children s treasury of milligan classic stories** - Apr 05 2022

web buy by spike milligan a children s treasury of milligan classic stories and poems new edition new edition by spike milligan isbn 8601200825374 from amazon s book store everyday low prices and free delivery on eligible orders

**a children s treasury of milligan classic stories and poems by** - Jan 02 2022

web a children s treasury of milligan classic stories and poems by spike milligan milligan spike amazon fr livres livres livres pour enfants littérature et fiction neuf 28 27 tous les prix incluent la tva livraison à 0 01 22 26 juin détails il ne reste plus que 5 exemplaire s en stock quantité ajouter au panier

*buy a children s treasury of milligan classic stories and poems* - Mar 04 2022

web amazon in buy a children s treasury of milligan classic stories and poems by spike milligan book online at best prices in india on amazon in read a children s treasury of milligan classic stories and poems by spike milligan book reviews author details and more at amazon in free delivery on qualified orders

**9781852279707 a children s treasury of milligan classic stories** - Nov 12 2022

web help your children learn milliganese with a child s treasury of milligan a classic collection of daft short stories and nonsense rhymes from the king of downright silliness spike milligan this stunning anthology of milligan s poems and stories for children comprises his classic books unspun socks for a chicken s laundry a book of

a children s treasury of milligan classic stories poems - Aug 21 2023

web a children s treasury of milligan classic stories poems milligan spike free download borrow and streaming internet archive 208 pages 25 cm skip to main content we will keep fighting for all libraries stand with us internet archive logo a line drawing of the internet archive headquarters building façade search icon

**a children s treasury of milligan penguin books australia** - Feb 15 2023

web oct 1 2007 a delightful anthology of spike milligan s best writing for children spike milligan s publishing career began over forty years ago when silly verse for kids was published in 1959 his poems were inspired by listening to his own children and subsequently his grandchildren and marvelling at the way they could invent new

[a children s treasury of milligan classic stories poems](#) - May 18 2023

web a children s treasury of milligan classic stories poems author spike milligan illustrated by spike milligan edition illustrated reprint publisher virgin 2006 isbn 1852273216

[a children s treasury of milligan classic stories and poems by](#) - Mar 16 2023

web jan 1 2001 this unique anthology of spike s poems and stories for children presents his classic children s books in a way they have never been seen before the large format gives ample scope to make the most of spike s own

[a children s treasury of milligan classic stories and poems by](#) - Aug 09 2022

web paperback 116 09 4 used from 129 00 1 new from 116 09 this unique anthology of spike s poems and stories for children presents his classic children s books in a way they have never been seen before

**a children s treasury of milligan penguin books uk** - Jun 07 2022

web shop now summary spike milligan s publishing career began over forty years ago when silly verse for kids was published in 1959 his poems were inspired by listening to his own children and subsequently his grandchildren and marvelling at the way they could invent new words or incorporate sound effects into their everyday language

**a children s treasury of milligan classic stories and** - Sep 10 2022

web jan 1 1999 this unique anthology of spike s poems and stories for children presents his classic childr a children s treasury of milligan classic stories and poems by milligan spike 2001 paperback by spike milligan goodreads

*a children s treasury of milligan classic stories and poems by* - Jul 20 2023

web a children s treasury of milligan classic stories and poems by spike milligan milligan spike amazon co uk books

**a children s treasury of milligan classic stories** - Jul 08 2022

web a children s treasury of milligan classic stories and poems by milligan spike isbn 10 1856136663 isbn 13 9781856136662 ted smart 1999 hardcover

**a children s treasury of milligan classic stories and poems** - Oct 11 2022

web a children s treasury of milligan classic stories and poems by milligan spike at abebooks co uk isbn 10 1852278919 isbn 13 9781852278915 virgin books 2004 hardcover

*9781852273217 a children s treasury of milligan classic stories* - Feb 03 2022

web a childrens treasury of milligan classic stories and poems by spike milligan by milligan spike and a great selection of related books art and collectibles available now at abebooks co uk

*a children s treasury of milligan classic stories poems by* - May 06 2022

web help your children learn milliganese with a child s treasury of milligan a classic collection of daft short stories and nonsense rhymes from the king of downright silliness spike milligan this stunning anthology of milligan s poems and stories

for children comprises his classic books unspun socks for a chicken s laundry a book of  
[a children s treasury of milligan classic stories poems](#) - Jun 19 2023

web a children s treasury of milligan classic stories poems spike milligan virgin 2000 children s literature english 192 pages  
0 reviews reviews aren t verified but google checks for  
[a children s treasury of milligan classic stories and poems](#) - Jan 14 2023

web an anthology of spike milligan s poems and stories for children it comprises silly verse for kids 1959 the bald twit lion  
1968 a book of milliganimals 1968 unspun socks from a chicken s laundry 1981 sir nobonk and the terrible awful dreadful  
naughty nasty dragon 1982 and startling verse for all the family 1987  
[a children s treasury of milligan classic stories poems](#) - Apr 17 2023

web a collection of humourous poems and stories bringing together in one volume milligan s books for children suggested  
level primary intermediate

**a children s treasury of milligan penguin** - Dec 13 2022

web oct 1 2007 a delightful anthology of spike milligan s best writing for children spike milligan s publishing career began  
over forty years ago when silly verse for kids was published in 1959 his poems were inspired by listening to his own children  
and subsequently his grandchildren and marvelling at the way they could invent new