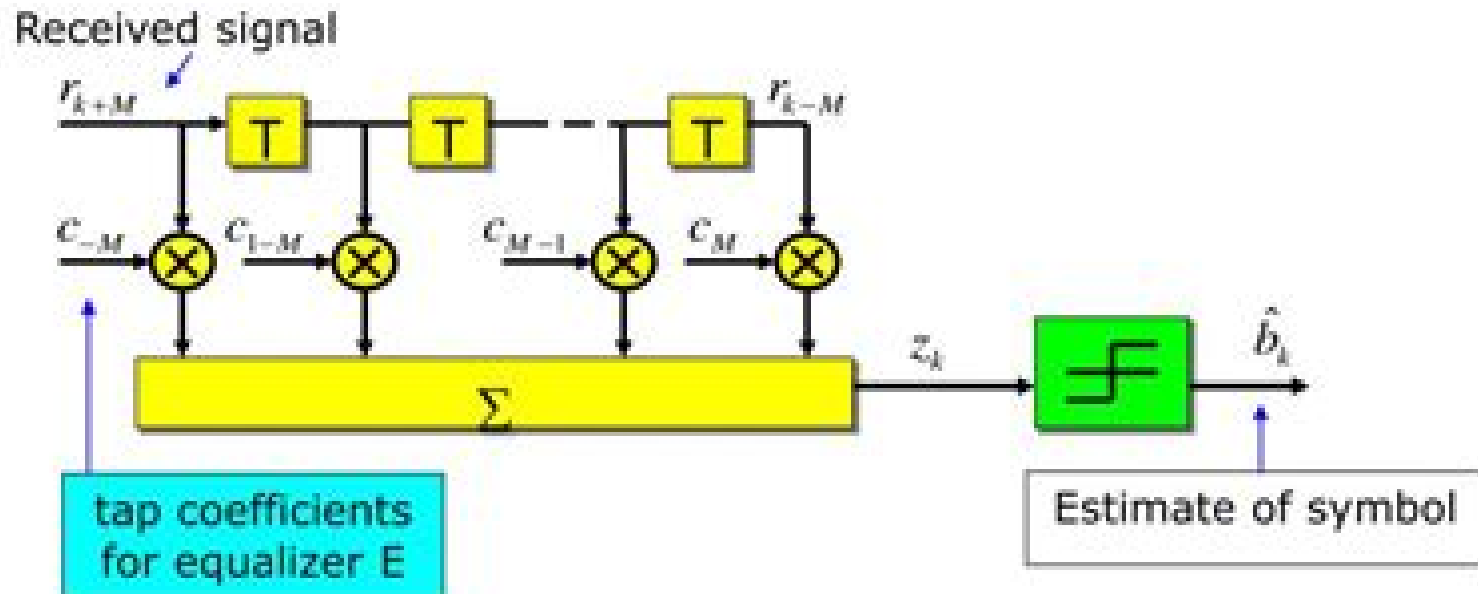


Zero-Forcing Equalization

- Zero ISI at the receiver output
- $B(f)H(f)E(f)=Z(f)$
- $Z(f)$: Nyquist spectrum e.g. raised cosine



Matlab Code Zero Forcing Algorithm For Ofdm

DP Hallahan



Matlab Code Zero Forcing Algorithm For Ofdm:

Immerse yourself in the artistry of words with is expressive creation, Discover the Artistry of **Matlab Code Zero Forcing Algorithm For Ofdm** . This ebook, presented in a PDF format (*), is a masterpiece that goes beyond conventional storytelling. Indulge your senses in prose, poetry, and knowledge. Download now to let the beauty of literature and artistry envelop your mind in a unique and expressive way.

https://py.bijouxmedusa.com/About/publication/Download_PDFS/endymion_ball_2018.pdf

Table of Contents Matlab Code Zero Forcing Algorithm For Ofdm

1. Understanding the eBook Matlab Code Zero Forcing Algorithm For Ofdm
 - The Rise of Digital Reading Matlab Code Zero Forcing Algorithm For Ofdm
 - Advantages of eBooks Over Traditional Books
2. Identifying Matlab Code Zero Forcing Algorithm For Ofdm
 - Exploring Different Genres
 - Considering Fiction vs. Non-Fiction
 - Determining Your Reading Goals
3. Choosing the Right eBook Platform
 - Popular eBook Platforms
 - Features to Look for in an Matlab Code Zero Forcing Algorithm For Ofdm
 - User-Friendly Interface
4. Exploring eBook Recommendations from Matlab Code Zero Forcing Algorithm For Ofdm
 - Personalized Recommendations
 - Matlab Code Zero Forcing Algorithm For Ofdm User Reviews and Ratings
 - Matlab Code Zero Forcing Algorithm For Ofdm and Bestseller Lists
5. Accessing Matlab Code Zero Forcing Algorithm For Ofdm Free and Paid eBooks
 - Matlab Code Zero Forcing Algorithm For Ofdm Public Domain eBooks
 - Matlab Code Zero Forcing Algorithm For Ofdm eBook Subscription Services
 - Matlab Code Zero Forcing Algorithm For Ofdm Budget-Friendly Options

6. Navigating Matlab Code Zero Forcing Algorithm For Ofdm eBook Formats
 - ePub, PDF, MOBI, and More
 - Matlab Code Zero Forcing Algorithm For Ofdm Compatibility with Devices
 - Matlab Code Zero Forcing Algorithm For Ofdm Enhanced eBook Features
7. Enhancing Your Reading Experience
 - Adjustable Fonts and Text Sizes of Matlab Code Zero Forcing Algorithm For Ofdm
 - Highlighting and Note-Taking Matlab Code Zero Forcing Algorithm For Ofdm
 - Interactive Elements Matlab Code Zero Forcing Algorithm For Ofdm
8. Staying Engaged with Matlab Code Zero Forcing Algorithm For Ofdm
 - Joining Online Reading Communities
 - Participating in Virtual Book Clubs
 - Following Authors and Publishers Matlab Code Zero Forcing Algorithm For Ofdm
9. Balancing eBooks and Physical Books Matlab Code Zero Forcing Algorithm For Ofdm
 - Benefits of a Digital Library
 - Creating a Diverse Reading Collection Matlab Code Zero Forcing Algorithm For Ofdm
10. Overcoming Reading Challenges
 - Dealing with Digital Eye Strain
 - Minimizing Distractions
 - Managing Screen Time
11. Cultivating a Reading Routine Matlab Code Zero Forcing Algorithm For Ofdm
 - Setting Reading Goals Matlab Code Zero Forcing Algorithm For Ofdm
 - Carving Out Dedicated Reading Time
12. Sourcing Reliable Information of Matlab Code Zero Forcing Algorithm For Ofdm
 - Fact-Checking eBook Content of Matlab Code Zero Forcing Algorithm For Ofdm
 - Distinguishing Credible Sources
13. Promoting Lifelong Learning
 - Utilizing eBooks for Skill Development
 - Exploring Educational eBooks
14. Embracing eBook Trends
 - Integration of Multimedia Elements

- Interactive and Gamified eBooks

Matlab Code Zero Forcing Algorithm For Ofdm Introduction

Matlab Code Zero Forcing Algorithm For Ofdm Offers over 60,000 free eBooks, including many classics that are in the public domain. Open Library: Provides access to over 1 million free eBooks, including classic literature and contemporary works. Matlab Code Zero Forcing Algorithm For Ofdm Offers a vast collection of books, some of which are available for free as PDF downloads, particularly older books in the public domain. Matlab Code Zero Forcing Algorithm For Ofdm : This website hosts a vast collection of scientific articles, books, and textbooks. While it operates in a legal gray area due to copyright issues, its a popular resource for finding various publications. Internet Archive for Matlab Code Zero Forcing Algorithm For Ofdm : Has an extensive collection of digital content, including books, articles, videos, and more. It has a massive library of free downloadable books. Free-eBooks Matlab Code Zero Forcing Algorithm For Ofdm Offers a diverse range of free eBooks across various genres. Matlab Code Zero Forcing Algorithm For Ofdm Focuses mainly on educational books, textbooks, and business books. It offers free PDF downloads for educational purposes. Matlab Code Zero Forcing Algorithm For Ofdm Provides a large selection of free eBooks in different genres, which are available for download in various formats, including PDF. Finding specific Matlab Code Zero Forcing Algorithm For Ofdm, especially related to Matlab Code Zero Forcing Algorithm For Ofdm, might be challenging as theyre often artistic creations rather than practical blueprints. However, you can explore the following steps to search for or create your own Online Searches: Look for websites, forums, or blogs dedicated to Matlab Code Zero Forcing Algorithm For Ofdm, Sometimes enthusiasts share their designs or concepts in PDF format. Books and Magazines Some Matlab Code Zero Forcing Algorithm For Ofdm books or magazines might include. Look for these in online stores or libraries. Remember that while Matlab Code Zero Forcing Algorithm For Ofdm, sharing copyrighted material without permission is not legal. Always ensure youre either creating your own or obtaining them from legitimate sources that allow sharing and downloading. Library Check if your local library offers eBook lending services. Many libraries have digital catalogs where you can borrow Matlab Code Zero Forcing Algorithm For Ofdm eBooks for free, including popular titles. Online Retailers: Websites like Amazon, Google Books, or Apple Books often sell eBooks. Sometimes, authors or publishers offer promotions or free periods for certain books. Authors Website Occasionally, authors provide excerpts or short stories for free on their websites. While this might not be the Matlab Code Zero Forcing Algorithm For Ofdm full book , it can give you a taste of the authors writing style. Subscription Services Platforms like Kindle Unlimited or Scribd offer subscription-based access to a wide range of Matlab Code Zero Forcing Algorithm For Ofdm eBooks, including some popular titles.

FAQs About Matlab Code Zero Forcing Algorithm For Ofdm Books

What is a Matlab Code Zero Forcing Algorithm For Ofdm PDF? A PDF (Portable Document Format) is a file format developed by Adobe that preserves the layout and formatting of a document, regardless of the software, hardware, or operating system used to view or print it. **How do I create a Matlab Code Zero Forcing Algorithm For Ofdm PDF?** There are several ways to create a PDF: Use software like Adobe Acrobat, Microsoft Word, or Google Docs, which often have built-in PDF creation tools. Print to PDF: Many applications and operating systems have a "Print to PDF" option that allows you to save a document as a PDF file instead of printing it on paper. Online converters: There are various online tools that can convert different file types to PDF. **How do I edit a Matlab Code Zero Forcing Algorithm For Ofdm PDF?** Editing a PDF can be done with software like Adobe Acrobat, which allows direct editing of text, images, and other elements within the PDF. Some free tools, like PDFescape or Smallpdf, also offer basic editing capabilities. **How do I convert a Matlab Code Zero Forcing Algorithm For Ofdm PDF to another file format?** There are multiple ways to convert a PDF to another format: Use online converters like Smallpdf, Zamzar, or Adobe Acrobats export feature to convert PDFs to formats like Word, Excel, JPEG, etc. Software like Adobe Acrobat, Microsoft Word, or other PDF editors may have options to export or save PDFs in different formats. **How do I password-protect a Matlab Code Zero Forcing Algorithm For Ofdm PDF?** Most PDF editing software allows you to add password protection. In Adobe Acrobat, for instance, you can go to "File" -> "Properties" -> "Security" to set a password to restrict access or editing capabilities. Are there any free alternatives to Adobe Acrobat for working with PDFs? Yes, there are many free alternatives for working with PDFs, such as: LibreOffice: Offers PDF editing features. PDFsam: Allows splitting, merging, and editing PDFs. Foxit Reader: Provides basic PDF viewing and editing capabilities. How do I compress a PDF file? You can use online tools like Smallpdf, ILovePDF, or desktop software like Adobe Acrobat to compress PDF files without significant quality loss. Compression reduces the file size, making it easier to share and download. Can I fill out forms in a PDF file? Yes, most PDF viewers/editors like Adobe Acrobat, Preview (on Mac), or various online tools allow you to fill out forms in PDF files by selecting text fields and entering information. Are there any restrictions when working with PDFs? Some PDFs might have restrictions set by their creator, such as password protection, editing restrictions, or print restrictions. Breaking these restrictions might require specific software or tools, which may or may not be legal depending on the circumstances and local laws.

Find Matlab Code Zero Forcing Algorithm For Ofdm :

endymion ball 2018

~~elements of fuels furnaces and refractories by o p gupta~~

~~english for cabin crew oup oxford university press~~
~~engineer field manual~~

emilia no pais da gramatica

~~english for business studies teachers book a course for business studies and economics students~~
~~engineering mathematics 3 notes for rgpv amctopore~~

enciclopedia de tecnicas de dibujo

~~english phonetics and phonology paperback with audio cds 2 a practical course~~

~~elements of programming interviews aziz~~

~~engineering drawing and design 7th seventh edition by jensen cecil helsel jay short dennis published by mcgraw hill~~
~~scienceengineeringmath 2007~~

elementary linear algebra by howard anton ninth edition

~~encyclopedia of cats~~

~~ember ember anthropology 13th edition~~

~~end user computing exam paper~~

Matlab Code Zero Forcing Algorithm For Ofdm :

~~teacher appreciation flyer images free download on freepik - Feb 28 2023~~

~~web find download free graphic resources for teacher appreciation flyer 97 000 vectors stock photos psd files free for commercial use high quality images~~

120 free teacher appreciation week design templates - Jun 03 2023

~~web 120 free templates for teacher appreciation week fast affordable effective design like a pro create free teacher appreciation week flyers posters social media graphics and videos in minutes choose from 120 eye catching templates to wow your audience~~

~~free teacher appreciation week flyer template in google docs - Oct 27 2022~~

~~web the free teacher appreciation week flyer template from thegoodocs is a great option to promote this holiday among schoolchildren help them express their gratitude to the people who teach them the most crucial things moreover editing~~

free and customizable teacher templates canva - Jul 04 2023

~~web 17 291 templates red apple and polka dots teacher retirement invitation invitation by canva creative studio blue yellow illustration colorful happy teacher s day instagram post instagram post by syammasfitria studio bago minimalist teacher appreciation bookmark bookmark by ceren s designs~~

40 teacher appreciation ideas canva - Dec 29 2022

web browse a wide range of teacher appreciation ideas and inspiration from photos and templates in a stunning selection of styles and colors

[free printable teacher poster templates to customize canva](#) - Jan 30 2023

web show some love and appreciation for your favorite teacher with dozens of poster ideas to say thank you on teacher s day or any regular monday stay organized with help from classroom management posters with templates for student chores classroom rules and other housekeeping reminders

teacher appreciation flyer etsy - Aug 25 2022

web editable teacher appreciation week itinerary school flyer school sign staff appreciation invitation printable template instant download 857 12 99

free teacher appreciation flyer template - Sep 25 2022

web free teacher appreciation flyer template free download this teacher appreciation flyer template design in word google docs psd apple pages publisher format easily editable printable downloadable free download free template

[editable teacher appreciation week flyer instant download](#) - May 22 2022

web product details editable teacher appreciation week flyer instant download appreciation week schedule events template this listing is for an instant download high resolution editable and printable sign you can try this template before you buy it

[796 free templates for teacher appreciation postermyswall](#) - Aug 05 2023

web effective design like a pro tip use not to remove irrelevant results use or to add more create free teacher appreciation flyers posters social media graphics and videos in minutes choose from 680 eye catching templates to wow your audience

[2 020 teacher appreciation flyer customizable design templates](#) - Sep 06 2023

web create free teacher appreciation flyers posters social media graphics and videos in minutes choose from 2 020 eye catching templates to wow your audience

results for teacher appreciation week template tpt - Feb 16 2022

web celebrate teacher appreciation week in style and honor the hard work and dedication of educ subjects for administrators for all subjects holidays seasonal grades not grade specific types printables bulletin board ideas also included in teacher appreciation week flyer bundle printabe editable template for canva 3 95

[free and customizable teacher appreciation templates canva](#) - Oct 07 2023

web explore professionally designed teacher appreciation templates you can customize and share easily from canva

free printable customizable education flyer templates canva - May 02 2023

web create beautiful flyers from canva s free customizable education flyer templates and promote school events tournaments

and more

free custom printable teacher thank you card templates canva - Nov 27 2022

web we have dozens of teacher thank you card templates to choose from and use these professionally designed special notes are free customizable and printable we make designing your thank you card for teachers uncomplicated with templates that fit your liking

teacher appreciation flyer template google docs word - Mar 20 2022

web download this teacher appreciation flyer template design in word google docs apple pages psd publisher format easily editable printable downloadable

design teacher appreciation day flyers postermyswall - Apr 01 2023

web how to make a teacher appreciation day flyer 1 choose a design from the teacher appreciation day flyers gallery 2 personalize it change colors edit text or add images and videos 3 download email or publish directly on social media create a free teacher appreciation day flyer explore more design templates march madness posters rodeo

results for editable teacher appreciation week flyer ppt - Apr 20 2022

web this listing is for an editable teacher appreciation week flyer this teacher appreciation week editable flyer can be edited to include all your events and details for the week distribute this itinerary to teachers and staff or hang in public spaces

teacher appreciation luncheon flyer template fotor - Jun 22 2022

web this teacher appreciation luncheon flyer template flyer template is created by the talented graphic designers at fotor click use this template to start editing online change the text images and more the exact way you wish using drag and drop editing tools no design skills required with fotor create stunning designs right in your web

teacher appreciation week flyer etsy - Jul 24 2022

web editable teacher appreciation week flyer school staff appreciation week schedule events flyer teacher appreciation diy with corjl taf01 here is a selection of four star and five star reviews from customers who were delighted with the products they found in

full article advanced engineering mathematics taylor - Jun 16 2023

web oct 26 2021 advanced engineering mathematics technometrics volume 63 2021 issue 4 free access 2 938 views 0 crossref citations to date 0 altmetric listen book review advanced engineering mathematics by k a stroud and dexter j booth 6th edition macmillan international red globe press london uk 2020

advanced engineering mathematics 10th edition quizlet - Jul 17 2023

web advanced engineering mathematics 10th edition isbn 9780470458365 erwin kreyszig textbook solutions verified chapter 1 first order odes section 1 1 basic concepts modeling section 1 2 geometric meaning of $y' = f(x, y)$ direction fields euler's method

section 1 3 separable odes modeling section 1 4 exact odes integrating factors

advanced engineering mathematics k a stroud dexter j - Jul 05 2022

web a long standing best selling comprehensive textbook covering all the mathematics required on upper level engineering mathematics undergraduate courses its unique approach takes you through all the mathematics you need in a step by step fashion with a wealth of examples and exercises the text demands that you engage with it by asking

advanced mathematics for engineering students sciencedirect - Oct 08 2022

web advanced mathematics for engineering students the essential toolbox provides a concise treatment for applied mathematics derived from two semester advanced mathematics courses at the author s university the book delivers the mathematical foundation needed in an engineering program of study

pdf advanced engineering mathematics by erwin e - Sep 19 2023

web sep 11 2020 advanced engineering mathematics by erwin e september 2020 publisher publisher for permission should be addressed to the permissions department john wiley sons inc 111 river street

advanced engineering mathematics erwin kreyszig google - Feb 12 2023

web dec 8 2010 kreyszig introduces engineers and computer scientists to advanced math topics as they relate to practical problems it goes into the following topics at great depth differential equations

advanced engineering mathematics google books - Dec 10 2022

web jones bartlett learning 2011 mathematics 970 pages now with a full color design the new fourth edition of zill s advanced engineering mathematics provides an in depth overview of the many mathematical topics necessary for students planning a career in engineering or the sciences

advanced engineering maths by r k jain s r k iyengar - Mar 01 2022

web may 22 2002 advanced engineering maths by r k jain s r k iyengar book used by students of lpu first sem mth165 its pdf is hard to find so here it is thank me later study comes first addeddate 2021 09 04 18 36 44 identifier advanced engineering maths identifier ark ark 13960 t3720db2w ocr tesseract 5 0 0 alpha 20201231 10 g1236

advanced engineering mathematics kapak deęişebilir - Jan 31 2022

web kreyszig introduces engineers and computer scientists to advanced math topics as they relate to practical problems it goes into the following topics at great depth differential equations partial differential equations fourier analysis vector analysis complex analysis and linear algebra differential equations

advanced engineering mathematics michael greenberg - Sep 07 2022

web appropriate for one or two semester advanced engineering mathematics courses in departments of mathematics and engineering this clear pedagogically rich book develops a strong understanding of the mathematical principles and practices

that today s engineers and scientists need to know

[advanced engineering mathematics 10th edition textbook](#) - May 03 2022

web our interactive player makes it easy to find solutions to advanced engineering mathematics 10th edition problems you re working on just go to the chapter for your book hit a particularly tricky question

[advanced engineering mathematics amazon com](#) - Mar 13 2023

web aug 16 2011 advanced engineering mathematics 10th edition is known for its comprehensive coverage careful and correct mathematics outstanding exercises and self contained subject matter parts for maximum flexibility the new edition continues with the tradition of providing instructors and students with a comprehensive and up to date

[advanced engineering mathematics alan jeffrey google books](#) - Aug 06 2022

web elsevier jun 19 2001 technology engineering 1184 pages advanced engineering mathematics provides comprehensive and contemporary coverage of key mathematical ideas techniques and their widespread applications for students majoring in engineering computer science mathematics and physics

advanced engineering mathematics with matlab - Jun 04 2022

web nov 3 2010 taking a practical approach to the subject advanced engineering mathematics with matlab third edition continues to integrate technology into the conventional topics of engineering mathematics the author employs matlab to reinforce concepts and solve problems that require heavy computation

[advanced engineering mathematics 10th edition wiley](#) - Aug 18 2023

web a mathematics resource for engineering physics math and computer science studentsthe enhanced e text advanced engineering mathematics 10th edition is a comprehensive book organized into six parts with exercises it opens with ordinary differential equations and ends with the topic of mathematical statistics

İleri mühendislik matematiği advanced engineering - Nov 09 2022

web bu kitap ülkemizde mühendisliğin çok sayıdaki dalında temel lisans ve yüksek lisans programlarında zorunlu ders olarak okutulan mühendislik matematiği ve ileri mühendislik matematiği konularını içermekte ve konuları anlaşılır modern bir dille ele almaktadır

advanced engineering mathematics 10th edition international - Apr 14 2023

web vdomdhtml advanced engineering mathematics 10th edition international student version wiley this market leading text is known for its comprehensive coverage careful and correct mathematics outstanding exercises and self contained subject matter parts for maximum flexibility

[advanced engineering mathematics dennis g zill google](#) - Jan 11 2023

web dec 1 2020 the seventh edition of advanced engineering mathematics provides learners with a modern and

comprehensive compendium of topics that are most often covered in courses in engineering mathematics and is extremely flexible to meet the unique needs of courses ranging from ordinary differential equations to vector calculus

advanced engineering mathematics springerlink - May 15 2023

web this book is designed to serve as a core text for courses in advanced engineering mathematics required by many engineering departments the style of presentation is such that the student with a minimum of assistance can follow the step by step derivations

advanced engineering mathematics udemy - Apr 02 2022

web the objective of this course is to help you build the skill necessary to analyze mathematical relationships and equations they encounter in the real world topics include ordinary differential equations laplace transforms systems of linear differential equations

annex c some relevant standards sintef - Oct 03 2023

web annex c some relevant standards annex c some relevant standards this annex highlights eu international and defacto standards identified in the iec nist and

annex c standard definition law insider - Apr 16 2022

web common reporting standard means the standard for automatic exchange of financial account information in tax matters which includes the commentaries developed by the

annex c some relevant standards sintef pdf download sbrick - Sep 21 2022

web annex c some relevant standards sintef pdf 1 4 downloaded from download sbrick com on january 20 2023 by guest annex c some relevant standards sintef pdf as recognized adventure as skillfully as experience very nearly lesson amusement as capably as contract can be

annex c some relevant standards sintef uniport edu - May 18 2022

web the money for annex c some relevant standards sintef and numerous book collections from fictions to scientific research in any way accompanied by them is this annex c

annex c some relevant standards sintef pdf uniport edu - Jan 26 2023

web jun 20 2023 annex c some relevant standards sintef 2 13 downloaded from uniport edu ng on june 20 2023 by guest impact categories by using numerical factors

annexcsomerelevantstandardssintef dev gamersdecide - Jan 14 2022

web integrating wind power into power systems and provides an outlook of the relevant issues and solutions to allow even higher wind power penetration levels this includes the

annex c some relevant standards sintef pdf dejuncto - Aug 01 2023

web profound transformations is nothing lacking extraordinary within the captivating pages of annex c some relevant standards sintef a literary masterpiece penned with a

annex c some relevant standards sintef book - Sep 02 2023

web annex c some relevant standards sintef automated deduction cade 25 jun 26 2022 this book constitutes the proceedings of the 25th international conference on

annex c some relevant standards sintef 2022 admin divadubai - Jul 20 2022

web annex c some relevant standards sintef 3 3 this standard specifies the determination methods for sound power level of noise on the reflection plane under the free field

c is support of annex k in c11 required for a conforming - Mar 16 2022

web i understand generally that normative means it helps define the standard but an annex to the c standard has traditionally been treated as informative only annex k is labeled as

annex c some relevant standards sintef pqr uiaf gov co - Oct 23 2022

web of this annex c some relevant standards sintef can be taken as competently as picked to act smart and sustainable planning for cities and regions adriano bisello 2020

annex c some relevant standards sintef 2022 - May 30 2023

web annex c some relevant standards sintef downloaded from eagldemo2 eagltechnology com by guest griffin mcMahon dispute settlement

annex c good practice examples eltis - Feb 12 2022

web by admin eltis updated 08 sep 2015 for the purpose of the online guidelines the additional information on good practice examples contained in annex c of the original

annex c some relevant standards sintef pdf uniport edu - Nov 23 2022

web jun 15 2023 annex c some relevant standards sintef 2 11 downloaded from uniport edu ng on june 15 2023 by guest value propositions the importance of an

annex c some relevant standards sintef download only - Jun 30 2023

web annex c some relevant standards sintef conceptual modeling er 2011 sep 17 2022 this book constitutes the refereed proceedings of the 30th international conference on

annex c some relevant standards sintef secure mowtampa - Mar 28 2023

web annex c some relevant standards sintef tsg d0001 2009 translated english of chinese standard tsg d0001 2009 tsgd0001 2009 approved document j code of

annex c some relevant standards sintef canvas edusynch - Dec 25 2022

web annex c some relevant standards sintef omb no 0621473831695 edited by ramos wheeler tsg d0001 2009 translated english of chinese standard tsg d0001

annex c some relevant standards sintef download only - Dec 13 2021

web in some cases you likewise realize not discover the broadcast annex c some relevant standards sintef that you are looking for it will totally squander the time however below taking into consideration you visit this web page it will be as a result enormously simple to acquire as well as download guide annex c some relevant standards sintef

annex c some relevant standards sintef pdf uniport edu - Feb 24 2023

web annex c some relevant standards sintef 1 10 downloaded from uniport edu ng on may 16 2023 by guest annex c some relevant standards sintef yeah reviewing a book

annex c definition 171 samples law insider - Nov 11 2021

web annex c is a brief outline of those complaints i have received that are similar to that of mrs a it is required that the work outlined in annex c of bs 6891 be repeated to address

annex c some relevant standards sintef copy cdn writermag - Aug 21 2022

web annex c some relevant standards sintef tsg d0001 2009 translated english of chinese standard tsg d0001 2009 tsgd0001 2009 gb t 32441 2015 translated

annex c some relevant standards sintef store spiralny - Jun 18 2022

web china standard gb 18401 2003 national general safety technical code for textile products annex c some relevant standards sintef downloaded from store spiralny com by

[annex c some relevant standards sintef copy waptac](#) - Apr 28 2023

web annex c some relevant standards sintef the agile safety case thor myklebust 2018 01 29 the safety case sc is one of the railway industry s most important deliverables