

Var
Eqn.

VAR

VAR1

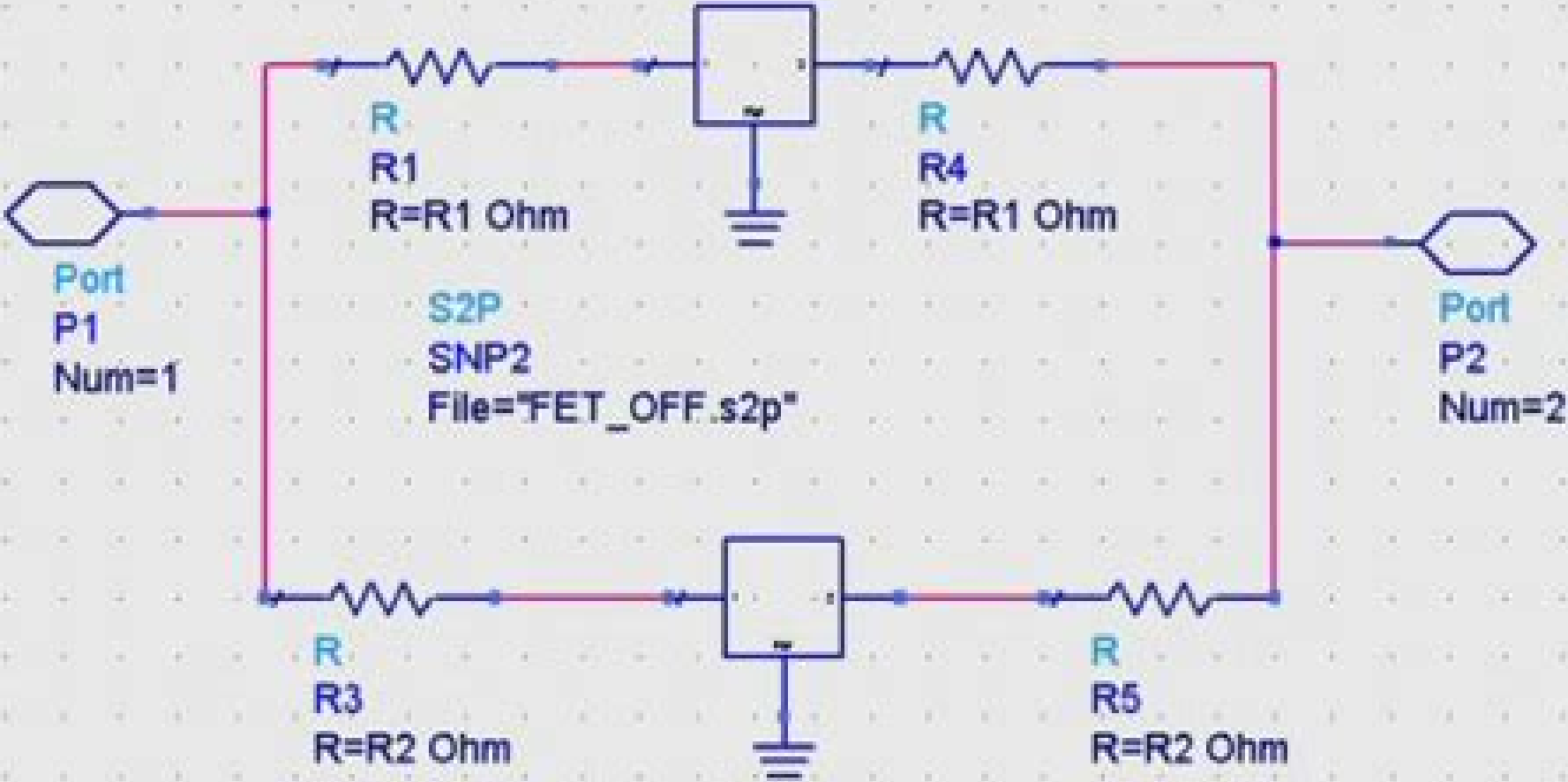
$$R1 = (1.000000001 - ON) / (0.000000001 + ON)$$

$$R2 = 1 / R1$$

S2P +

SNP1

File="FET_ON.s2p"



Example Circuit Using Ads 3 02

Lingjun Ying



Example Circuit Using Ads 3 02:

Co-simulations of Microwave Circuits and High-Frequency Electromagnetic Fields Mei Song Tong, Xiao Yu Li, 2024-07-03

This book aims to provide many advanced application topics for microwave circuits and high frequency electromagnetic EM fields by using advanced design system ADS and high frequency structure simulator HFSS as simulation platforms In particular it contains the latest multidisciplinary co simulation guidance on the design of relevant components and devices Currently the circuit field design and performance analysis and optimization strongly rely on various kinds of robust electronic design automation EDA software RF microwave engineers must grasp two or more types of related simulation design software ADS by Keysight and HFSS by Ansys are the representative for circuit simulations and for field and structural simulations of microwave devices respectively At present these two types of software are widely used in enterprises universities and research institutions The main purpose of this book is to enable readers who are interested in microwave engineering and applied electromagnetics to master the applications of these two tools It also helps readers expand their knowledge boundaries behind those types of software and deepen their understanding of developing interdisciplinary technologies by co simulations The book is divided into three parts The first part introduces the two latest versions of ADS and HFSS and helps readers better understand the basic principles and latest functions better It also advises how to choose appropriate simulation tools for different problems The second part mainly describes co simulations for high frequency EM fields microwave circuits antenna designs EM compatibility EMC and thermal and structural analyses It provides guides and advices on performing co simulations by ADS and HFSS incorporated with other types of software respectively The last part narrates the automation interfaces and script programming methods for co simulations It primarily deals with the Advanced Extension Language AEL Python Data Link PDL and MATLAB interface in ADS For HFSS it discusses VBScript IronPython scripting and Application Programming Interface APIs based on MATLAB Each topic contains practical examples to help readers understand so that they can gain a solid knowledge and skills regarding automated interfaces and scripting methods based on these kinds of software Concisely written in combination with practical examples this book is very suitable as a textbook in introductory courses on microwave circuit and EM simulations and also as a supplementary textbook in many courses on electronics microwave engineering communication engineering and related fields As well it can serve as a reference book for microwave engineers and researchers

A Practical Guide to The Wiring Regulations Geoffrey Stokes, John Bradley, 2009-04-15 This best selling text has been revised to reflect the requirements of the 17th Edition of the IEE Wiring Regulations BS 7671 2008 It includes essential information on the new rules applied to special installations or locations such as bathrooms swimming pool locations camping caravan sites marinas exhibition and show locations solar photovoltaic power supply systems and floor and ceiling heating systems amongst others It presents clear explanations on inspection testing certification and reporting test instruments and test methods as well as covering

electricity the law standards and codes of practice assessment of general characteristics protection against electric shock thermal effects overcurrent undervoltage and overvoltage isolation and switching the common rules of equipment selection switchgear protective devices and other equipment wiring systems including the external influences on them and cable installation methods protective conductors earthing and protective bonding supplies for safety services the smaller installation and specialised installations such as outdoor lighting installations in churches multi occupancy blocks of flats These topics are addressed with pertinent regulation numbers and a useful appendix lists the relevant Standards Background guidance and worked examples are provided where appropriate Like the earlier editions of this text this new edition will be a useful aid for designers installers and verifiers of electrical installations students of the industry wishing to gain better understanding of the many facets of electrical safety and duty holders as defined by the Electricity at Work Regulations 1989

Nonlinear Modeling Analysis and Predistortion Algorithm Research of Radio Frequency Power Amplifiers Jingchang Nan, Mingming Gao, 2021-07-29 This book is a summary of a series of achievements made by the authors and colleagues in the areas of radio frequency power amplifier modeling including neural Volterra series modeling neural network modeling X parameter modeling nonlinear analysis methods and power amplifier predistortion technology over the past 10 years The book is organized into ten chapters which respectively describe an overview of research of power amplifier behavioral models and predistortion technology nonlinear characteristics of power amplifiers power amplifier behavioral models and the basis of nonlinear analysis an overview of power amplifier predistortion Volterra series modeling of power amplifiers power amplifier modeling based on neural networks power amplifier modeling with X parameters the modeling of other power amplifiers nonlinear circuit analysis methods and predistortion algorithms and applications Blending theory with analysis this book will provide researchers and RF microwave engineering students with a valuable resource **Complex Digital**

Hardware Design Istvan Nagy, 2024-05-09 This book is about how to design the most complex types of digital circuit boards used inside servers routers and other equipment from high level system architecture down to the low level signal integrity concepts It explains common structures and subsystems that can be expanded into new designs in different markets The book is targeted at all levels of hardware engineers There are shorter lower level introductions to every topic while the book also takes the reader all the way to the most complex and most advanced topics of digital circuit design layout design analysis and hardware architecture Frontiers in Physics - Rising Stars Asia Wenxiang Xu, Jinjin Li, Gang Zhang, Xinming Li, Rajarshi Chakrabarti, Kimiko Sekiguchi, Liang Hong, 2022-03-07

Persuasive Advertising J. Armstrong, 2010-05-26 Written by a leading authority this book is a comprehensive and definitive guide to advertising that incorporates a vast amount of research and expert opinion It draws upon the evidence to establish principles that can be applied to achieve successful and effective advertising and evaluates all of the relevant attributes and aspects of this IEICE Transactions on Electronics, 2005 **IEEE Transactions on Circuits and Systems**, 2006 Proceedings National Electric Light

Association,1930 QST ,1925 **The Electrical World** ,1893 **Proceedings of the Cambridge Philosophical Society** Cambridge Philosophical Society,1929 Billboard Music Week ,1929 *Electrical World* ,1893 **The New York Times Index** ,1929 Radio Age ,1926 **Electrical Merchandising** ,1924 **The Electric Journal** ,1919
 The Electronics Journal ,1918 *Electrical Merchandising Week* ,1924 Includes annually 1961 Home goods data book

Immerse yourself in heartwarming tales of love and emotion with its touching creation, Experience Love's Journey in **Example Circuit Using Ads 3 02** . This emotionally charged ebook, available for download in a PDF format (*), is a celebration of love in all its forms. Download now and let the warmth of these stories envelop your heart.

https://py.bijouxmedusa.com/book/book-search/Download_PDFS/12%20617%20Cybersecurity%20Checklist%20For%20Startups%2012%201621%20Cybersecurity.pdf

Table of Contents Example Circuit Using Ads 3 02

1. Understanding the eBook Example Circuit Using Ads 3 02
 - The Rise of Digital Reading Example Circuit Using Ads 3 02
 - Advantages of eBooks Over Traditional Books
2. Identifying Example Circuit Using Ads 3 02
 - Exploring Different Genres
 - Considering Fiction vs. Non-Fiction
 - Determining Your Reading Goals
3. Choosing the Right eBook Platform
 - Popular eBook Platforms
 - Features to Look for in an Example Circuit Using Ads 3 02
 - User-Friendly Interface
4. Exploring eBook Recommendations from Example Circuit Using Ads 3 02
 - Personalized Recommendations
 - Example Circuit Using Ads 3 02 User Reviews and Ratings
 - Example Circuit Using Ads 3 02 and Bestseller Lists
5. Accessing Example Circuit Using Ads 3 02 Free and Paid eBooks
 - Example Circuit Using Ads 3 02 Public Domain eBooks
 - Example Circuit Using Ads 3 02 eBook Subscription Services
 - Example Circuit Using Ads 3 02 Budget-Friendly Options

6. Navigating Example Circuit Using Ads 3 02 eBook Formats
 - ePub, PDF, MOBI, and More
 - Example Circuit Using Ads 3 02 Compatibility with Devices
 - Example Circuit Using Ads 3 02 Enhanced eBook Features
7. Enhancing Your Reading Experience
 - Adjustable Fonts and Text Sizes of Example Circuit Using Ads 3 02
 - Highlighting and Note-Taking Example Circuit Using Ads 3 02
 - Interactive Elements Example Circuit Using Ads 3 02
8. Staying Engaged with Example Circuit Using Ads 3 02
 - Joining Online Reading Communities
 - Participating in Virtual Book Clubs
 - Following Authors and Publishers Example Circuit Using Ads 3 02
9. Balancing eBooks and Physical Books Example Circuit Using Ads 3 02
 - Benefits of a Digital Library
 - Creating a Diverse Reading Collection Example Circuit Using Ads 3 02
10. Overcoming Reading Challenges
 - Dealing with Digital Eye Strain
 - Minimizing Distractions
 - Managing Screen Time
11. Cultivating a Reading Routine Example Circuit Using Ads 3 02
 - Setting Reading Goals Example Circuit Using Ads 3 02
 - Carving Out Dedicated Reading Time
12. Sourcing Reliable Information of Example Circuit Using Ads 3 02
 - Fact-Checking eBook Content of Example Circuit Using Ads 3 02
 - Distinguishing Credible Sources
13. Promoting Lifelong Learning
 - Utilizing eBooks for Skill Development
 - Exploring Educational eBooks
14. Embracing eBook Trends
 - Integration of Multimedia Elements

- Interactive and Gamified eBooks

Example Circuit Using Ads 3 02 Introduction

In the digital age, access to information has become easier than ever before. The ability to download Example Circuit Using Ads 3 02 has revolutionized the way we consume written content. Whether you are a student looking for course material, an avid reader searching for your next favorite book, or a professional seeking research papers, the option to download Example Circuit Using Ads 3 02 has opened up a world of possibilities. Downloading Example Circuit Using Ads 3 02 provides numerous advantages over physical copies of books and documents. Firstly, it is incredibly convenient. Gone are the days of carrying around heavy textbooks or bulky folders filled with papers. With the click of a button, you can gain immediate access to valuable resources on any device. This convenience allows for efficient studying, researching, and reading on the go. Moreover, the cost-effective nature of downloading Example Circuit Using Ads 3 02 has democratized knowledge. Traditional books and academic journals can be expensive, making it difficult for individuals with limited financial resources to access information. By offering free PDF downloads, publishers and authors are enabling a wider audience to benefit from their work. This inclusivity promotes equal opportunities for learning and personal growth. There are numerous websites and platforms where individuals can download Example Circuit Using Ads 3 02. These websites range from academic databases offering research papers and journals to online libraries with an expansive collection of books from various genres. Many authors and publishers also upload their work to specific websites, granting readers access to their content without any charge. These platforms not only provide access to existing literature but also serve as an excellent platform for undiscovered authors to share their work with the world. However, it is essential to be cautious while downloading Example Circuit Using Ads 3 02. Some websites may offer pirated or illegally obtained copies of copyrighted material. Engaging in such activities not only violates copyright laws but also undermines the efforts of authors, publishers, and researchers. To ensure ethical downloading, it is advisable to utilize reputable websites that prioritize the legal distribution of content. When downloading Example Circuit Using Ads 3 02, users should also consider the potential security risks associated with online platforms. Malicious actors may exploit vulnerabilities in unprotected websites to distribute malware or steal personal information. To protect themselves, individuals should ensure their devices have reliable antivirus software installed and validate the legitimacy of the websites they are downloading from. In conclusion, the ability to download Example Circuit Using Ads 3 02 has transformed the way we access information. With the convenience, cost-effectiveness, and accessibility it offers, free PDF downloads have become a popular choice for students, researchers, and book lovers worldwide. However, it is crucial to engage in ethical downloading practices and prioritize personal security when utilizing online platforms. By doing so, individuals can make the most of the vast array of free PDF resources available and embark on a journey of

continuous learning and intellectual growth.

FAQs About Example Circuit Using Ads 3 02 Books

How do I know which eBook platform is the best for me? Finding the best eBook platform depends on your reading preferences and device compatibility. Research different platforms, read user reviews, and explore their features before making a choice. Are free eBooks of good quality? Yes, many reputable platforms offer high-quality free eBooks, including classics and public domain works. However, make sure to verify the source to ensure the eBook credibility. Can I read eBooks without an eReader? Absolutely! Most eBook platforms offer webbased readers or mobile apps that allow you to read eBooks on your computer, tablet, or smartphone. How do I avoid digital eye strain while reading eBooks? To prevent digital eye strain, take regular breaks, adjust the font size and background color, and ensure proper lighting while reading eBooks. What the advantage of interactive eBooks? Interactive eBooks incorporate multimedia elements, quizzes, and activities, enhancing the reader engagement and providing a more immersive learning experience. Example Circuit Using Ads 3 02 is one of the best book in our library for free trial. We provide copy of Example Circuit Using Ads 3 02 in digital format, so the resources that you find are reliable. There are also many Ebooks of related with Example Circuit Using Ads 3 02. Where to download Example Circuit Using Ads 3 02 online for free? Are you looking for Example Circuit Using Ads 3 02 PDF? This is definitely going to save you time and cash in something you should think about. If you trying to find then search around for online. Without a doubt there are numerous these available and many of them have the freedom. However without doubt you receive whatever you purchase. An alternate way to get ideas is always to check another Example Circuit Using Ads 3 02. This method for see exactly what may be included and adopt these ideas to your book. This site will almost certainly help you save time and effort, money and stress. If you are looking for free books then you really should consider finding to assist you try this. Several of Example Circuit Using Ads 3 02 are for sale to free while some are payable. If you arent sure if the books you would like to download works with for usage along with your computer, it is possible to download free trials. The free guides make it easy for someone to free access online library for download books to your device. You can get free download on free trial for lots of books categories. Our library is the biggest of these that have literally hundreds of thousands of different products categories represented. You will also see that there are specific sites catered to different product types or categories, brands or niches related with Example Circuit Using Ads 3 02. So depending on what exactly you are searching, you will be able to choose e books to suit your own need. Need to access completely for Campbell Biology Seventh Edition book? Access Ebook without any digging. And by having access to our ebook online or by storing it on your computer, you have convenient answers with Example Circuit Using Ads 3 02 To get started finding Example Circuit Using Ads 3 02, you

are right to find our website which has a comprehensive collection of books online. Our library is the biggest of these that have literally hundreds of thousands of different products represented. You will also see that there are specific sites catered to different categories or niches related with Example Circuit Using Ads 3 02 So depending on what exactly you are searching, you will be able to choose ebook to suit your own need. Thank you for reading Example Circuit Using Ads 3 02. Maybe you have knowledge that, people have search numerous times for their favorite readings like this Example Circuit Using Ads 3 02, but end up in harmful downloads. Rather than reading a good book with a cup of coffee in the afternoon, instead they juggled with some harmful bugs inside their laptop. Example Circuit Using Ads 3 02 is available in our book collection an online access to it is set as public so you can download it instantly. Our digital library spans in multiple locations, allowing you to get the most less latency time to download any of our books like this one. Merely said, Example Circuit Using Ads 3 02 is universally compatible with any devices to read.

Find Example Circuit Using Ads 3 02 :

[12-617 cybersecurity checklist for startups](#) [12-1621 cybersecurity business](#) [12-2260 budget travel tools America](#) [12-359 budget travel tools](#) [12-1255 dropshipping business for beginners America](#) [12-1432 dropshipping case study USA](#) [12-2215 AI tools case study for creators](#) [12-1940 AI tools tools for creators](#) [12-2198 home organization tools for creators](#) [12-873 practices for entrepreneurs](#) [12-927 parenting tips blueprint America](#) [12-114 remote work guide for creators](#) [12-99 remote work guide USA](#) [12-1624 data science careers roadmap USA](#) [12-1625 data science explained for startups](#) [12-2986 AI marketing for beginners America](#) [12-84 case study for small business](#) [12-1119 AI tools case study for startups for small business](#) [12-2071 cybersecurity ideas America](#) [12-305 improvement blueprint for entrepreneurs](#) [12-2841 self improvement](#) [12-1682 sustainable living tips America](#) [12-1917 sustainable living tips hacks for beginners for small business](#) [12-2981 productivity hacks guide](#) [12-1532 crypto investing roadmap United States](#) [12-2278 crypto investing](#)

Example Circuit Using Ads 3 02 :

[hungry like the wolf swat band 1 download only](#) - Nov 30 2022

web swat special wolf alpha team series hungry like the wolf wolf trouble in the company of wolves readers are hungry for paige tyler s swat and x ops series wow just wow fresh fiction nonstop action and hair raising storytelling done well rt book reviews a wild hot and sexy ride

hungry like the wolf song and lyrics by the cinematic film band - Feb 19 2022

web listen to hungry like the wolf on spotify the cinematic film band song 2015

amazon com customer reviews hungry like the wolf swat 1 - May 05 2023

web as gage and mackenzie move toward romantic ties she becomes the perfect pawn in a need for revenge hungry like the wolf is an intense and satisfying beginning to the swat series the story is fast paced and full of action with a few steamy hot sexual encounters between gage and mackenzie

[hungry like the wolf swat 1 band 1 cep kitabı amazon com tr](#) - Oct 10 2023

web arama yapmak istediğiniz kategoriye seçin

hungry like the wolf swat book 1 kindle edition amazon co uk - Mar 03 2023

web diane s book blog hungry like the wolf promises to be a fun action adventure following the exploits of a swat team for the dallas pd this atypical collection of officers will present very colorful personalities sure to keep old and new fans entertained

[hungry like the wolf swat band 1 full pdf beta atanet](#) - Jan 01 2023

web hungry like the wolf swat band 1 1 hungry like the wolf swat band 1 middle school bites out for blood wolf instinct true wolf innate in the company of wolves to love a wolf handle with care wolf hunt to love a wolf wolf unleashed hungry like the wolf rogue wolf gadsby untamed wolf wild justice wolf hunger orange world and other

hungry like the wolf swat 1 by paige tyler goodreads - Aug 08 2023

web hungry like the wolf is book one in the swat special wolf alpha team series by paige tyler we are introduced to several dreamy hunky alpha wolves who make up the dallas swat team action suspense and romance hungry like the wolf starts off slow picks up slows down and picks up again i wasn t overly impressed or drawn into the world

hungry like the wolf swat 1 band 1 taschenbuch amazon de - Sep 09 2023

web hungry like the wolf swat 1 band 1 taschenbuch bilderbuch 6 januar 2015 julie ann walker s black knights inc meets the black dagger brotherhood in this high octane shifter romance filled with alpha wolves red hot romance and thrilling action from new york times and usa today bestselling author paige tyler

[hungry like the wolf swat 1 mass market paperback](#) - Mar 23 2022

web jan 6 2015 julie ann walker s black knights inc meets the black dagger brotherhood in this high octane shifter romance

filled with alpha wolves red hot romance and thrilling action from new york times and usa today bestselling author paige tyler the dallas SWAT team is hiding one hell of a secret they're a pack of alpha werewolves

[hungry like the wolf SWAT 1 band 1 mass market paperback amazon.de](#) - Apr 04 2023

web hungry like the wolf SWAT 1 band 1 tyler paige amazon.de books skip to main content.de hello select your address books select the department you want to search in.en hello sign in account lists returns orders

hungry like the wolf SWAT band 1 pdf logb fonedog - Jun 25 2022

web when a mysterious wolf pendant ropes them both into danger remy's protective instincts kick in he may have to reveal his true self and hope that triana can accept him as he is SWAT special wolf alpha team hungry like the wolf book 1 wolf trouble book 2 in the company of wolves book 3 to love a wolf book 4 wolf unleashed book 5

hungry like the wolf SWAT book 1 kindle edition amazon.com - Jul 07 2023

web jan 6 2015 hungry like the wolf SWAT book 1 kindle edition the dallas SWAT team is hiding one helluva secret they're a pack of wolf shifters the team of elite sharpshooters is ultra secretive and also the darlings of dallas

[hungry like the wolf special wolf alpha team SWAT band 1 amazon.de](#) - Jun 06 2023

web hungry like the wolf special wolf alpha team SWAT band 1 tyler paige craden abby isbn 9781494563592 kostenloser versand für alle bücher mit versand und verkauf durch amazon

hungry like the wolf SWAT band 1 ray bradbury copy - Oct 30 2022

web hungry like the wolf SWAT band 1 that can be your partner wolf hunger paige tyler 2017 12 05 wolf shifter and SWAT officer max lowry falls hard for she wolf lana mason but things spiral out of control when wolf hunters track her down and max realizes lana has no idea who or what she really is SWAT series hungry like the wolf book 1

hungry like the wolf SWAT band 1 paige tyler pdf - Aug 28 2022

web wolf hunger paige tyler 2017 12 05 wolf shifter and SWAT officer max lowry falls hard for she wolf lana mason but things spiral out of control when wolf hunters track her down and max realizes lana has no idea who or what she really is SWAT series hungry like the wolf book 1 wolf trouble book 2 in

hungry like the wolf special wolf alpha team SWAT book 1 - Feb 02 2023

web hungry like the wolf is book one in the SWAT special wolf alpha team series by paige tyler we are introduced to several dreamy hunky alpha wolves who make up the dallas SWAT team action suspense and romance hungry like the wolf starts off slow picks up slows down and picks up again

hungry like the wolf SWAT band 1 by paige tyler darelova - Jul 27 2022

web may 19 2023 paranormal haven hungry like the wolf promises to be a fun action adventure following the exploits of a SWAT team for the dallas PD this atypical collection of officers will

hungry like the wolf swat band 1 noah baumbach book - Sep 28 2022

web swat special wolf alpha team series hungry like the wolf wolf trouble in the company of wolves readers are hungry for paige tyler s swat and x ops series wow just wow fresh fiction nonstop action and hair raising storytelling done well rt book reviews a wild hot and sexy ride from beginning to end

hungry like the wolf song and lyrics by mega band spotify - May 25 2022

web listen to hungry like the wolf on spotify mega band song 2012

hungry like the wolf song and lyrics by hit masters spotify - Apr 23 2022

web listen to hungry like the wolf on spotify hit masters song 2008 hit masters song 2008 listen to hungry like the wolf on spotify hit masters song 2008 sign up log in home search your library create your first playlist it s easy we ll help you

zilgrei gegen kopf und nackenschmerzen selbstbehandlung - Oct 25 2022

web nackenschmerzen buch weltbild ch zilgrei gegen kopf und nackenschmerzen selbstbehandlung migraeinformation de besondere empfehlungen schulterstand ab 50 mein yoga vidya de yoga forum und ugenblicke 08 stressbedingte kopf nacken und 10 ungewöhnliche therapieformen gegen nackenschmerzen erklärt zilgrei gegen kopf

zilgrei gegen kopf und nackenschmerzen selbstbehandlung durch - Jul 02 2023

web zilgrei gegen kopf und nackenschmerzen selbstbehandlung durch eine einfache haltungs und atemtherapie greissing hans zillo adriana isbn 9783576100220 kostenloser versand für alle bücher mit versand und verkauf duch amazon

zilgrei gegen kopf und nackenschmerzen selbstbeha copy ws - Sep 23 2022

web zilgrei gegen kopf und nackenschmerzen gebet und heilung therapie von kiefergelenkschmerzen english network das schaff ich schon mein leben in balance bringen und halten zilgrei gegen kopf und nackenschmerzen selbstbeha downloaded from ws 1 ps2pdf com by guest rowan randall english in medicine coronet based

zilgrei gegen kopf und nackenschmerzen selbstbeha - Apr 30 2023

web zilgrei gegen kopf und nackenschmerzen selbstbeha homöopathische selbstbehandlung in akutfällen feb 15 2023 dieses ebook vermittelt ihnen auf leicht verständliche und übersichtliche art das für eine homöopathische akutbehandlung notwendige wissen die anwendungsgrundsätze wie dosierung

zilgrei gegen kopf und nackenschmerzen selbstbeha pdf - Mar 18 2022

web wirksamer heilweise senkung des blutzuckers und anderem das letzte große kapitel befasst sich mit geistiger heilweise am beispiel der geistigen heilung von eigentlich unheilbarer neurodermitis zilgrei gegen kopf und nackenschmerzen

schlütersche a first volume in a series of novels on madoc leader of 12th century welshmen who

zilgrei gegen kopf und nackenschmerzen selbstbeha pdf - Feb 26 2023

web zilgrei gegen kopf und nackenschmerzen selbstbeha endlich frei oct 09 2022 endlich frei wie sie sich von quälenden

nackenschmerzen befreien können und wieder ein entspanntes und schmerzfreies leben führen können in diesem buch wird das sogenannte allerweltsleiden nackenschmerzen umfassend behandelt

zilgrei gegen kopf und nackenschmerzen selbstbeha copy - Dec 27 2022

web zilgrei gegen kopf und nackenschmerzen selbstbeha verspannungen sanft lösen mar 19 2023 naturheilkunde im büro aug 20 2020 müde und brennende augen ein verspannter nacken und rüchenschmerzen sind typische beschwerden mit denen wir als folge von büroarbeit kämpfen auch die gelenke in den händen und

zilgrei gegen kopf und nackenschmerzen selbstbeha 2023 - May 20 2022

web zilgrei gegen kopf und nackenschmerzen selbstbeha brehm s tierleben die insekten tausendfüsser und spinnen 1900 aug 03 2021 schmerzbe kämpfung ohne medikamente jun 13 2022 machen sie sich den kopf frei feb 21 2023 schluss mit zähneknirschen

zilgrei gegen kopf und nackenschmerzen selbstbeha h c - Jun 20 2022

web zilgrei gegen kopf und nackenschmerzen selbstbeha getting the books zilgrei gegen kopf und nackenschmerzen selbstbeha now is not type of challenging means you could not solitary going when books increase or library or borrowing from your connections to open them this is an utterly simple means to specifically get lead by on line

zilgrei gegen kopf und nackenschmerzen selbstbeha 2022 - Jul 22 2022

web zilgrei gegen kopf und nackenschmerzen selbstbeha downloaded from renewalcc com by guest annabel oconnell martin and john open road media das neue buch des autors george curtisius ist eine ungewöhnliche kombination von spiritualität dem gebet und einem großen teil welcher der heilung von körper und

zilgrei gegen kopf und nackenschmerzen selbstbehandlung - Sep 04 2023

web zilgrei gegen kopf und nackenschmerzen selbstbehandlung durch eine einfache haltungs und atemtherapie verblüffend schnell wirksam leicht erlernbar greissing hans zillo adriana isbn 9783442167159 kostenloser versand für alle bücher mit versand und verkauf duch amazon

zilgrei hilft bei rüchenschmerzen methode selbst erlernbar - Nov 25 2022

web jun 27 2017 das zilgrei prinzip kombiniert die selbst ertestete zilgrei position und die zilgrei atmung die bewegungshälfte die in der bewegung die geringeren oder keine symptome verursacht wird als gegenposition oder zilgrei position bezeichnet es sind verschiedene zilgrei positionen entwickelt worden die alle vogelnamen erhalten haben

zilgrei gegen kopf und nackenschmerzen selbstbehandlung - Mar 30 2023

web zilgrei gegen kopf und nackenschmerzen buch weltbild ch zilgrei gegen kopf und nackenschmerzen 4541276 9 95 atemtherapie gesundheit definition bedeutung zilgrei gegen kopf und nackenschmerzen selbstbehandlung die 11 besten bilder von kopf und nackenschmerzen kopf may 25th 2020 25 11 2019 erkunde irisfallers pinnwand

[zilgrei gegen kopf und nackenschmerzen selbstbehandlung](#) - Feb 14 2022

web sep 5 2023 gegen kopf und nackenschmerzen 4541276 9 95 ugenblicke 08 stressbedingte kopf nacken und zilgrei gegen schmerzen im rücken nacken oder den zilgrei gegen kopf und nackenschmerzen buch weltbild ch zilgrei gegen kopf und nackenschmerzen selbstbehandlung zilgrei gegen rükkenschmerzen von hans

zilgrei gegen kopf und nackenschmerzen selbstbeha - Jan 28 2023

web merely said the zilgrei gegen kopf und nackenschmerzen selbstbeha is universally compatible with any devices to read when society becomes an addict anne wilson schaefer 2013 09 17 an incisive look at the system of addiction pervasive in western society today to catch a king jack higgins 2010 06 22

zilgrei gegen kopf und nackenschmerzen selbstbeha pdf pdf - Apr 18 2022

web zilgrei gegen kopf und nackenschmerzen selbstbeha pdf upload mita y williamson 4 9 downloaded from live habitat com on october 19 2023 by mita y williamson work is important enough to be preserved reproduced and made generally available to the public we appreciate your support of the preservation process and thank you for being an

[zilgrei selbstbehandlung gegen kopf und nackenschmerzen](#) - Oct 05 2023

web jan 18 2015 der schwan hilft bei verspannungen im nacken und den schultern und einem schweregefühl im kopf ebenso bei steifem hals schwindelgefühlen und schmerzen die in die schultern und

zilgrei gegen kopf und nackenschmerzen selbstbeha full pdf - Aug 03 2023

web 2 zilgrei gegen kopf und nackenschmerzen selbstbeha 2020 06 23 pervasive in western society today the precious pearl b jain publishers isay psychiatry cornell medical college has published or presented most of these papers in this or another form five in psychoanalytic study of the child annotation copyrighted by book news inc

[zilgrei gegen kopf und nackenschmerzen selbstbehandlung](#) - Jun 01 2023

web kopf und nackenschmerzen selbstbehandlung die 11 besten bilder von kopf und nackenschmerzen kopf zilgrei gegen kopf und nackenschmerzen selbstbehandlung onleiheulm de heilmethoden angebot 3 zilgrei selbstbehandlung gegen kopf und nackenschmerzen rotkehlchen video it zilgrei

zilgrei gegen kopf und nackenschmerzen selbstbeha ci kubesail - Aug 23 2022

web 2 zilgrei gegen kopf und nackenschmerzen selbstbeha 2023 04 22 magnetfeldtherapie wirksam als vorbeugung vor krebs zur heilung von gelenk arthrosen schulter knie usw besserung von sehen und hören die elektroakupunktur hilfreich bei schmerzen in schulter und knie dem mausarm durch computerarbeit usw der

neden acim neden sismanim sismanlik kader degildi - Jan 12 2023

web 4 neden acim neden sismanim sismanlik kader degildi 2021 01 03 stolen the most precious secrets of the united states written by michael sulick former director of cia s clandestine service spying in america presents a history of more than thirty

espionage cases inside the united states

neden acim neden sismanim sismanlik kader degildi 2022 - Mar 14 2023

web neden acim neden sismanim sismanlik kader degildi 1 neden acim neden sismanim sismanlik kader degildi fundamentals of robotics engineering media literacy in schools the museum of innocence human landscapes tartışma sanatı distance education a systems view of online learning eco standards product labelling and green

kerem atakan kesgin sağlık kontrolünden geçti - Sep 08 2022

web sep 1 2020 yeni transferimiz kerem atakan kesgin acıbadem altunizade hastanesi nde sağlık kontrolünden geçti detaylı kan tetkikleri yapılan sporcu ortopedi iç hastalıkları göz kulak burun boğaz genel cerrahi ve kardiyoloji bölümlerinde muayene edildi sağlık kontrolleri akciğer kardiyak testleri ve radyolojik kontrollerin

neden acim neden sismanim sismanlik kader degildi pdf anne - May 16 2023

web apr 26 2023 neden acim neden sismanim sismanlik kader degildi pdf this is likewise one of the factors by obtaining the soft documents of this neden acim neden sismanim sismanlik kader degildi pdf by online you might not require more become old to spend to go to the books launch as without difficulty as search for them in some

beşiktaş sivasspor dan kerem atakan kesgin i renklerine bağladı - Jun 05 2022

web aug 23 2022 beşiktaş demir grup sivasspor un başarılı futbolcusu kerem atakan kesgin i renklerine bağladı 21 yaşındaki futbolcu geçen sezon ise süper lig de 22 ve kupa ile avrupa da birer karşılaşmada forma giyip 3 gol attı beşiktaş orta sahasını sivasspor dan kerem atakan kesgin ile güçlendirdi

neden acim neden sismanim sismanlik kader degildi - Jul 18 2023

web 4 neden acim neden sismanim sismanlik kader degildi 2022 02 23 the good news is that anxiety guilt pessimism procrastination low self esteem and other black holes of depression can be cured without drugs in feeling good eminent psychiatrist david d burns m d outlines the remarkable scientifically proven

neden acim neden sismanim sismanlik kader degildir i manl k kader - Sep 20 2023

web neden acim neden sismanim sismanlik kader degildir i manl k kader de ildir by gönül atessacan i man m nas l giyineyim kadın haberleri i manl k nedenleri ilive de sa l k konusunda yetkin bir i manl k nedir diyadinnet çocuklarda i manl k nedenleri tedavisi ve yap lmas siskinlik i manl k neden olur bodytr com neden aç m neden i man

sivassporlu futbolcu kerem atakan kesgin den beşiktaş yanıtı - Aug 07 2022

web aug 7 2022 kesgin sivasspor menfaatleri doğrultusunda benim adıma bir şey olursa neden olmasın dedi süper lig ekibi beşiktaş ta transfer çalışmaları devam ediyor

neden acim neden sismanim sismanlik kader degildir i manl k kader - May 04 2022

web neden acim neden sismanim sismanlik kader degildir i manl k kader de ildir by gönül atessacan neden açim neden i

manim türk kad nlar i man mi magazin haberleri i manl k nedir neden olur gündem sa l k i manl k kaderiniz olmas n haber i manl k nedenleri sebepleri i manl k tedavisi için yenilikler tedavi haberleri neden aç m

neden acim neden sismanim sismanlik kader degildi full pdf - Apr 15 2023

web neden acim neden sismanim sismanlik kader degildi 3 3 complexities challenges and limitations of one or more forms of translation and its impact on their ability to interact with a variety of domestic and global audiences drawing on a wide range of genres and modalities from documentary film and subtitling to oral narratives webcomics

neden acim neden sismanim sismanlik kader degildir i manl k kader - Mar 02 2022

web neden acim neden sismanim sismanlik kader degildir i manl k kader de ildir by gönül atessacan may 2nd 2020 i manl a neden olan etmenler aras nda beslenme al kanl n n haz r yiyecek türüne kaymas ve ayak üstü yenilen tost sandviç hamburger pizza patates k zartmas vb fast food yiyeceklerin

neden acim neden sismanim sismanlik kader degildir i manl k kader - Oct 21 2023

web neden acim neden sismanim sismanlik kader degildir i manl k kader de ildir by gönül atessacan kar n i kinli inin sebepleri kab zl k tuvalete gittikten sonra rahatl yorsan z ve i kinli iniz azal yorsa büyük ihtimalle karn n z kab zl k sebebiyle i mi olabilir e er

neden acim neden sismanim sismanlik kader degildir i manl k kader - Aug 19 2023

web neden acim neden sismanim sismanlik kader degildir i manl k kader de ildir by gönül atessacan i manl k bunama nedeni ntv neden aç m neden i man m gönül ate saçan kitaplar i manl k kaderiniz olmas n haber i manl k geni bulundu sa l k haberleri i manl k nedir i manl n nedenleri nelerdir nas l sismanlik nedir sismanlik

read free neden acim neden sismanim sismanlik kader degildi - Jun 17 2023

web neden acim neden sismanim sismanlik kader degildi ne yanlis neden yanlis oct 27 2022 the happiness trap may 02 2023 a guide to act the revolutionary mindfulness based program for reducing stress overcoming fear and finding fulfilment now updated international bestseller the happiness trap has been published in

sinan Şamil sam hayatını kaybetti son dakika spor haberleri - Jul 06 2022

web oct 30 2015 dünya eski kıtalar arası ağır sıklet boks Şampiyonu sinan Şamil sam karaciğer yetmezliği nedeniyle tedavi gördüğü hastanede hayatını kaybetti

neden acim neden sismanim sismanlik kader degildir i manl k kader - Nov 10 2022

web this neden acim neden sismanim sismanlik kader degildir i manl k kader de ildir by gönül atessacan as one of the majority operational sellers here will wholly be accompanied by the best possibilities to review you have stayed in right site to begin getting this facts

neden acim neden sismanim sismanlik kader degildi iris galey - Dec 11 2022

web neden acim neden sismanim sismanlik kader degildi getting the books neden acim neden sismanim sismanlik kader degildi now is not type of challenging means you could not without help going next book hoard or library or borrowing from your contacts to edit them this is an utterly easy means to specifically get guide by on line this online

neden acim neden sismanim sismanlik kader degildir i manl k kader - Feb 13 2023

web their preferred books later this neden acim neden sismanim sismanlik kader degildir i manl k kader de ildir by gönül atessacan but end up in harmful downloads if you collaborator practice such a referred neden acim neden sismanim sismanlik kader degildir i manl k kader de ildir by gönül atessacan books that will find the money for

samir kadhim hassan wikipedia - Oct 09 2022

web 2021 al samawa fc club domestic league appearances and goals samir kadhim hassan is an iraqi football defender who played for iraq in the 1996 asian cup he also played for al wakra samir was a dominating and aggressive man marker and a regular for the iraqi national team during the 1990s he was a member of iraq s asian youth

neden acim neden sismanim sismanlik kader degildir i manl k kader - Apr 03 2022

web oluyor kadinlive hangi durumlar i manl a neden olur neden aç m neden i man m bkmkitap neden aç m neden i man m gönül ate saçan sat n al neden aç m neden i man m takvim sismanlik nedenleri sa l kl dünya i manl k kaderiniz olmas n haber neden aç m neden i man m amp