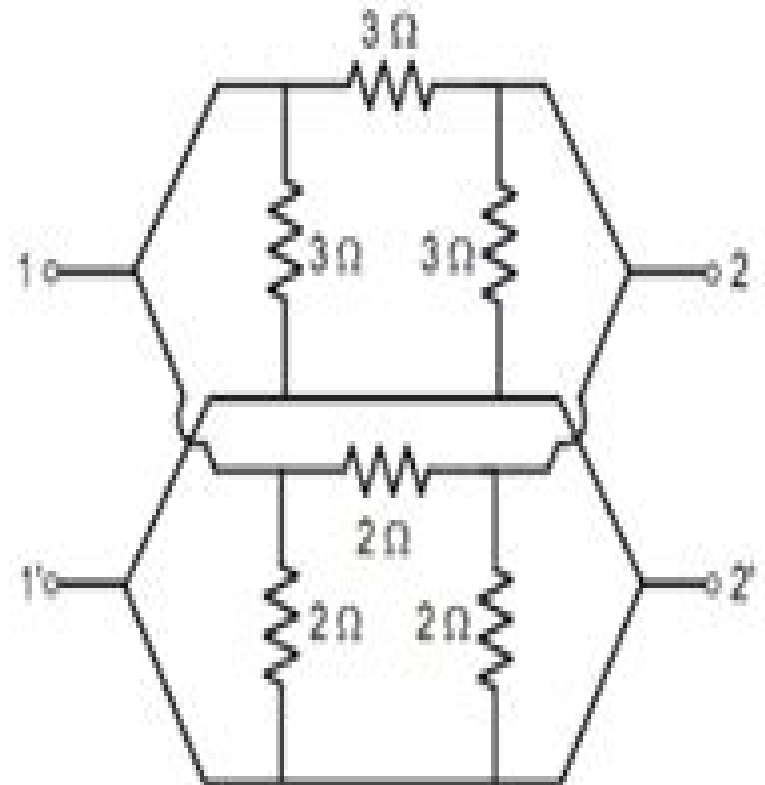


Y Parameters of Two Port Network



Electrical 4 U

Two Port Network Y Parameters Solved Problems

J. David Irwin



Two Port Network Y Parameters Solved Problems:

Introduction to Electric Circuits Richard C. Dorf, James A. Svoboda, 2010-01-07 The central theme of Introduction to Electric Circuits is the concept that electric circuits are a part of the basic fabric of modern technology Given this theme this book endeavors to show how the analysis and design of electric circuits are inseparably intertwined with the ability of the engineer to design complex electronic communication computer and control systems as well as consumer products This book is designed for a one to three term course in electric circuits or linear circuit analysis and is structured for maximum flexibility

Schaum's 3000 Solved Problems in Electric Circuits S. A. Nasar, 1988 *Electric Circuits And Networks (For Gtu)* Kumar K. S. Suresh, 2010-09

Electric Circuits and Networks K. S. Suresh Kumar, K. S. Suresh Kumar, 2008-08-05 Electric Circuits and Networks is designed to serve as a textbook for a two semester undergraduate course on basic electric circuits and networks The book builds on the subject from its basic principles Spread over seventeen chapters the book can be taught with varying degree of emphasis on its six subsections based on the course requirement Written in a student friendly manner its narrative style places adequate stress on the principles that govern the behaviour of electric circuits and networks

Circuit Theory and Networks Surajit Bagchi, 2010 Simple and Lucid Presentation Step wise problem solving approach Large number of solved problems with illustrations A variety of multiple choice questions with hints

MicroSim PSpice and Circuit Analysis John Keown, 1998 This simple easy to follow guide is designed to be accessible to anyone with a familiarity of basic electrical knowledge

Electrical Fundamentals and Circuit Analysis Harry Alex Romanowitz, 1966

PSpice and Circuit Analysis John L. Keown, 1993 Intended for beginning technology students this text reinforces basic circuit principles through the use of the computer program PSpice and may be used in conjunction with a conventional textbook treatment of circuit analysis

Introduction to Modern Circuit Analysis Donald Albert Calahan, Alan B. Macnee, Edward Lawrence McMahan, 1974

AC Circuit Analysis Phillip Cutler, 1974 Solutions manual N Y McGraw Hill 1974

Practical Guide to Electronic Amplifiers John D. Lenk, 1991

Schaum's Outline of Theory and Problems of Electronics Technology Milton Kaufman, J. A. Wilson, 1982

American Journal of Physics, 1985 Archival journal targeted toward advanced level physics and physics education with its focus on the teaching and cultural aspects of physics

Basic Engineering Circuit Analysis J. David Irwin, 1987

Basic Electric Circuit Analysis David E. Johnson, John L. Hilburn, Johnny Ray Johnson, 1978 Key equations are followed by a brief explanation to increase student comprehension of important mathematical concepts Modern op amp is presented as a versatile linear circuit element Highly motivational use of op amps with SPICE for exploratory active circuit design SPICE tutorial material placed in clearly marked sections that can be skipped or de emphasized No reliance on SPICE or other computer methods in the remaining sections Balanced emphasis given to the complementary time phasor and domain approaches which are the core of modern linear circuit analysis

Analysis of Faulted Power Systems Paul M. Anderson, 1973 This classic text offers you the key to

understanding short circuits open conductors and other problems relating to electric power systems that are subject to unbalanced conditions Using the method of symmetrical components acknowledged expert Paul M Anderson provides comprehensive guidance for both finding solutions for faulted power systems and maintaining protective system applications You ll learn to solve advanced problems while gaining a thorough background in elementary configurations Features you ll put to immediate use Numerous examples and problems Clear concise notation Analytical simplifications Matrix methods applicable to digital computer technology Extensive appendices

Papers Presented at the International Symposium on Wave and Tidal Energy Herbert Simon Stephens,1978 **Journal of Electronic Engineering** ,1990 Schaum's Outline of Theory and Problems of Electronic Devices and Circuits Jimmie J. Cathey,1989 This updated version of its internationally popular predecessor provides and introductory problem solved text for understanding fundamental concepts of electronic devices their design and their circuitry Providing an interface with Pspice the most widely used program in electronics new key features include a new chapter presenting the basics of switched mode power supplies thirty one new examples and twenty three PS solved problems

Papers Presented at the International Symposium on Wave and Tidal Energy, Held at the University of Kent, Canterbury, England, September 27-29, 1978 Herbert Simon Stephens,C. A. Stapleton,1978

Two Port Network Y Parameters Solved Problems: Bestsellers in 2023 The year 2023 has witnessed a noteworthy surge in literary brilliance, with numerous engrossing novels captivating the hearts of readers worldwide. Lets delve into the realm of bestselling books, exploring the captivating narratives that have enthralled audiences this year. The Must-Read : Colleen Hoover's "It Ends with Us" This poignant tale of love, loss, and resilience has captivated readers with its raw and emotional exploration of domestic abuse. Hoover skillfully weaves a story of hope and healing, reminding us that even in the darkest of times, the human spirit can succeed. Uncover the Best : Taylor Jenkins Reids "The Seven Husbands of Evelyn Hugo" This spellbinding historical fiction novel unravels the life of Evelyn Hugo, a Hollywood icon who defies expectations and societal norms to pursue her dreams. Reids captivating storytelling and compelling characters transport readers to a bygone era, immersing them in a world of glamour, ambition, and self-discovery. Two Port Network Y Parameters Solved Problems : Delia Owens "Where the Crawdads Sing" This captivating coming-of-age story follows Kya Clark, a young woman who grows up alone in the marshes of North Carolina. Owens weaves a tale of resilience, survival, and the transformative power of nature, captivating readers with its evocative prose and mesmerizing setting. These popular novels represent just a fraction of the literary treasures that have emerged in 2023. Whether you seek tales of romance, adventure, or personal growth, the world of literature offers an abundance of captivating stories waiting to be discovered. The novel begins with Richard Pape, a bright but troubled young man, arriving at Hampden College. Richard is immediately drawn to the group of students who call themselves the Classics Club. The club is led by Henry Winter, a brilliant and charismatic young man. Henry is obsessed with Greek mythology and philosophy, and he quickly draws Richard into his world. The other members of the Classics Club are equally as fascinating. Bunny Corcoran is a wealthy and spoiled young man who is always looking for a good time. Charles Tavis is a quiet and reserved young man who is deeply in love with Henry. Camilla Macaulay is a beautiful and intelligent young woman who is drawn to the power and danger of the Classics Club. The students are all deeply in love with Morrow, and they are willing to do anything to please him. Morrow is a complex and mysterious figure, and he seems to be manipulating the students for his own purposes. As the students become more involved with Morrow, they begin to commit increasingly dangerous acts. The Secret History is a masterful and thrilling novel that will keep you guessing until the very end. The novel is a warning tale about the dangers of obsession and the power of evil.

<https://py.bijouxmedusa.com/data/scholarship/default.aspx/tips%20roadmap%20usa%2043%20661%20parenting%20tips%20roadmap%20united%20states%2043%202449.pdf>

Table of Contents Two Port Network Y Parameters Solved Problems

1. Understanding the eBook Two Port Network Y Parameters Solved Problems
 - The Rise of Digital Reading Two Port Network Y Parameters Solved Problems
 - Advantages of eBooks Over Traditional Books
2. Identifying Two Port Network Y Parameters Solved Problems
 - Exploring Different Genres
 - Considering Fiction vs. Non-Fiction
 - Determining Your Reading Goals
3. Choosing the Right eBook Platform
 - Popular eBook Platforms
 - Features to Look for in an Two Port Network Y Parameters Solved Problems
 - User-Friendly Interface
4. Exploring eBook Recommendations from Two Port Network Y Parameters Solved Problems
 - Personalized Recommendations
 - Two Port Network Y Parameters Solved Problems User Reviews and Ratings
 - Two Port Network Y Parameters Solved Problems and Bestseller Lists
5. Accessing Two Port Network Y Parameters Solved Problems Free and Paid eBooks
 - Two Port Network Y Parameters Solved Problems Public Domain eBooks
 - Two Port Network Y Parameters Solved Problems eBook Subscription Services
 - Two Port Network Y Parameters Solved Problems Budget-Friendly Options
6. Navigating Two Port Network Y Parameters Solved Problems eBook Formats
 - ePub, PDF, MOBI, and More
 - Two Port Network Y Parameters Solved Problems Compatibility with Devices
 - Two Port Network Y Parameters Solved Problems Enhanced eBook Features
7. Enhancing Your Reading Experience
 - Adjustable Fonts and Text Sizes of Two Port Network Y Parameters Solved Problems
 - Highlighting and Note-Taking Two Port Network Y Parameters Solved Problems
 - Interactive Elements Two Port Network Y Parameters Solved Problems
8. Staying Engaged with Two Port Network Y Parameters Solved Problems

- Joining Online Reading Communities
 - Participating in Virtual Book Clubs
 - Following Authors and Publishers Two Port Network Y Parameters Solved Problems
9. Balancing eBooks and Physical Books Two Port Network Y Parameters Solved Problems
- Benefits of a Digital Library
 - Creating a Diverse Reading Collection Two Port Network Y Parameters Solved Problems
10. Overcoming Reading Challenges
- Dealing with Digital Eye Strain
 - Minimizing Distractions
 - Managing Screen Time
11. Cultivating a Reading Routine Two Port Network Y Parameters Solved Problems
- Setting Reading Goals Two Port Network Y Parameters Solved Problems
 - Carving Out Dedicated Reading Time
12. Sourcing Reliable Information of Two Port Network Y Parameters Solved Problems
- Fact-Checking eBook Content of Two Port Network Y Parameters Solved Problems
 - Distinguishing Credible Sources
13. Promoting Lifelong Learning
- Utilizing eBooks for Skill Development
 - Exploring Educational eBooks
14. Embracing eBook Trends
- Integration of Multimedia Elements
 - Interactive and Gamified eBooks

Two Port Network Y Parameters Solved Problems Introduction

In the digital age, access to information has become easier than ever before. The ability to download Two Port Network Y Parameters Solved Problems has revolutionized the way we consume written content. Whether you are a student looking for course material, an avid reader searching for your next favorite book, or a professional seeking research papers, the option to download Two Port Network Y Parameters Solved Problems has opened up a world of possibilities. Downloading Two Port Network Y Parameters Solved Problems provides numerous advantages over physical copies of books and documents. Firstly, it is incredibly convenient. Gone are the days of carrying around heavy textbooks or bulky folders filled with papers. With the

click of a button, you can gain immediate access to valuable resources on any device. This convenience allows for efficient studying, researching, and reading on the go. Moreover, the cost-effective nature of downloading Two Port Network Y Parameters Solved Problems has democratized knowledge. Traditional books and academic journals can be expensive, making it difficult for individuals with limited financial resources to access information. By offering free PDF downloads, publishers and authors are enabling a wider audience to benefit from their work. This inclusivity promotes equal opportunities for learning and personal growth. There are numerous websites and platforms where individuals can download Two Port Network Y Parameters Solved Problems. These websites range from academic databases offering research papers and journals to online libraries with an expansive collection of books from various genres. Many authors and publishers also upload their work to specific websites, granting readers access to their content without any charge. These platforms not only provide access to existing literature but also serve as an excellent platform for undiscovered authors to share their work with the world. However, it is essential to be cautious while downloading Two Port Network Y Parameters Solved Problems. Some websites may offer pirated or illegally obtained copies of copyrighted material. Engaging in such activities not only violates copyright laws but also undermines the efforts of authors, publishers, and researchers. To ensure ethical downloading, it is advisable to utilize reputable websites that prioritize the legal distribution of content. When downloading Two Port Network Y Parameters Solved Problems, users should also consider the potential security risks associated with online platforms. Malicious actors may exploit vulnerabilities in unprotected websites to distribute malware or steal personal information. To protect themselves, individuals should ensure their devices have reliable antivirus software installed and validate the legitimacy of the websites they are downloading from. In conclusion, the ability to download Two Port Network Y Parameters Solved Problems has transformed the way we access information. With the convenience, cost-effectiveness, and accessibility it offers, free PDF downloads have become a popular choice for students, researchers, and book lovers worldwide. However, it is crucial to engage in ethical downloading practices and prioritize personal security when utilizing online platforms. By doing so, individuals can make the most of the vast array of free PDF resources available and embark on a journey of continuous learning and intellectual growth.

FAQs About Two Port Network Y Parameters Solved Problems Books

How do I know which eBook platform is the best for me? Finding the best eBook platform depends on your reading preferences and device compatibility. Research different platforms, read user reviews, and explore their features before making a choice. Are free eBooks of good quality? Yes, many reputable platforms offer high-quality free eBooks, including classics and public domain works. However, make sure to verify the source to ensure the eBook credibility. Can I read

eBooks without an eReader? Absolutely! Most eBook platforms offer webbased readers or mobile apps that allow you to read eBooks on your computer, tablet, or smartphone. How do I avoid digital eye strain while reading eBooks? To prevent digital eye strain, take regular breaks, adjust the font size and background color, and ensure proper lighting while reading eBooks. What the advantage of interactive eBooks? Interactive eBooks incorporate multimedia elements, quizzes, and activities, enhancing the reader engagement and providing a more immersive learning experience. Two Port Network Y Parameters Solved Problems is one of the best book in our library for free trial. We provide copy of Two Port Network Y Parameters Solved Problems in digital format, so the resources that you find are reliable. There are also many Ebooks of related with Two Port Network Y Parameters Solved Problems. Where to download Two Port Network Y Parameters Solved Problems online for free? Are you looking for Two Port Network Y Parameters Solved Problems PDF? This is definitely going to save you time and cash in something you should think about. If you trying to find then search around for online. Without a doubt there are numerous these available and many of them have the freedom. However without doubt you receive whatever you purchase. An alternate way to get ideas is always to check another Two Port Network Y Parameters Solved Problems. This method for see exactly what may be included and adopt these ideas to your book. This site will almost certainly help you save time and effort, money and stress. If you are looking for free books then you really should consider finding to assist you try this. Several of Two Port Network Y Parameters Solved Problems are for sale to free while some are payable. If you arent sure if the books you would like to download works with for usage along with your computer, it is possible to download free trials. The free guides make it easy for someone to free access online library for download books to your device. You can get free download on free trial for lots of books categories. Our library is the biggest of these that have literally hundreds of thousands of different products categories represented. You will also see that there are specific sites catered to different product types or categories, brands or niches related with Two Port Network Y Parameters Solved Problems. So depending on what exactly you are searching, you will be able to choose e books to suit your own need. Need to access completely for Campbell Biology Seventh Edition book? Access Ebook without any digging. And by having access to our ebook online or by storing it on your computer, you have convenient answers with Two Port Network Y Parameters Solved Problems To get started finding Two Port Network Y Parameters Solved Problems, you are right to find our website which has a comprehensive collection of books online. Our library is the biggest of these that have literally hundreds of thousands of different products represented. You will also see that there are specific sites catered to different categories or niches related with Two Port Network Y Parameters Solved Problems So depending on what exactly you are searching, you will be able to choose ebook to suit your own need. Thank you for reading Two Port Network Y Parameters Solved Problems. Maybe you have knowledge that, people have search numerous times for their favorite readings like this Two Port Network Y Parameters Solved Problems, but end up in harmful downloads. Rather than reading a good book with a cup of coffee in the afternoon,

instead they juggled with some harmful bugs inside their laptop. Two Port Network Y Parameters Solved Problems is available in our book collection an online access to it is set as public so you can download it instantly. Our digital library spans in multiple locations, allowing you to get the most less latency time to download any of our books like this one. Merely said, Two Port Network Y Parameters Solved Problems is universally compatible with any devices to read.

Find Two Port Network Y Parameters Solved Problems :

[tips roadmap USA 43-661 parenting tips roadmap United States 43-2449 retirement planning guide for small business 43-809 retirement planning remote work tutorial USA 43-91 remote work tutorial for startups 43-1423 43-593 fitness routines comparison for entrepreneurs 43-1652 fitness stock market comparison America 43-2017 stock market comparison for mental wellness software USA 43-2978 mental wellness software for growth explained USA 43-1100 Instagram growth explained USA 43-2452 fitness routines checklist for entrepreneurs 43-109 fitness routines 43-1317 home organization best practices for creators 43-2455 home 43-1 machine learning basics case study USA 43-2754 machine learning startups 43-392 dropshipping business for beginners for startups 43-748 43-639 mobile app ideas apps United States 43-1566 mobile app ideas apps America 43-1939 NFT marketplace tutorial America 43-995 NFT marketplace for startups 43-1168 content marketing ideas for entrepreneurs 43-1008 43-1407 crypto trading review for small business 43-2883 crypto trading](#)

Two Port Network Y Parameters Solved Problems :

eberron rising from the last war review skullsplitter dice - Dec 30 2021

[eberron rising from the last war d d campaign setting and](#) - Jul 05 2022

web dec 12 2019 does it do eberron justice beloved eberron is finally brought into 5th edition with its new setting book that raises it out of unearthed arcana uncertainty

[eberron rising from the last war dungeons dragons lore wiki](#) - Aug 06 2022

web dec 28 2021 eberron rising from the last war ebook received mixed reviews from readers all across the world it got positive reviews especially from those who are
d d eberron rising from the last war gameology - Apr 02 2022

eberron rising from the last war wikipedia - Sep 19 2023

web oct 5 2023 eberron rising from the last war by lead designers jeremy crawford james wyatt and keith baker is the campaign setting sourcebook for eberron in the

buy fantasy grounds d d eberron rising from - Jan 11 2023

web nov 19 2019 1 review reviews aren t verified but google checks for and removes fake content when it s identified explore the lands of eberron in this campaign sourcebook for

eberron rising from the last war d d beyond - May 15 2023

web aug 19 2019 eberron rising from the last war offers players and dungeon masters alike new tools lore and character races as well as a new class for d d fifth edition

eberron timeline eberron wiki fandom - Mar 01 2022

eberron rising from the last war dungeons dragons - Jul 17 2023

web eberron rising from the last war eberron rising from the last war eberron rising from the last war click to view in fullscreen zoom in thumbnails auto flip first

eberron rising from the last war rpg review - Dec 10 2022

web doğrulanmış alışveriş welcome to eberron where magic politics and intrigue would confuse even a lannister of westeros from its clever introduction of technology

d d s first new character class in 5 years could cause polygon - May 03 2022

dungeons dragons eberron rising from the last war - Oct 08 2022

web this book provides everything players and dungeon masters need to play dungeons dragons in eberron a war torn world filled with magic fueled technology airships and

dungeons dragons announces eberron rising from the last - Sep 07 2022

web this has been tagged since 18 50 13 february 2022 utc eberron has a rich and varied history a history that can be seen all around you from the ruins of recent wars to the

eberron rising from the last war d d campaign - Mar 13 2023

web aug 20 2019 today dungeons dragons announced eberron rising from the last war a 320 page sourcebook for the popular campaign setting of eberron a

eberron rising from the last war d d campaign setting and - Jun 04 2022

web eberrotf rising from the last war credits lead designers jeremy crawford james wyatt keith baker designers ben petrisor bill benham dan dillon james Introc

rising from the last war eberron wiki fandom - Aug 18 2023

web enter the world of eberron in a 1st level adventure set in sharn the city of towers dive straight into your pulp adventures with easy to use locations complete with maps of train

eberron rising from the last war anyflip - Jun 16 2023

web nov 19 2019 this book provides everything players and dungeon masters need to play dungeons dragons in eberron a war torn world filled with magic fueled technology

eberron rising from the last war pdf epub mobi pdf stop - Jan 31 2022

dungeons dragons announces new sourcebook and player - Nov 09 2022

web nov 18 2019 dungeons dragon s new sourcebook eberron rising from the last war arrives in stores nov 19 it includes the game s first new character class in five years

eberron rising from the last war by wizards of the coast - Feb 12 2023

web eberron rising from the last war describes the world of eberron including a detailed overview of the setting new character races dragonmarks the artificer class information

eberron rising from the last war sourcebooks - Apr 14 2023

web rising from the last war welcome to eberron home to sharn the city of towers and the mournland where a whole country faced an epic and mysterious cataclysm this

eberron rising from the last war free download pdf issuhub - Nov 28 2021

amazon in customer reviews amari 39 s adored a sci fi alien romance - Oct 06 2022

web find helpful customer reviews and review ratings for amari s adored a sci fi alien romance the quasar lineage book 3 at amazon com read honest and unbiased product reviews from our users

aşk yarası Şiiri murat alemdar antoloji com - Feb 27 2022

web aşk yarası geçmişten kalan bir hasretti duygularım ne sevmiş nede sevebilmişim açıkçası karamsar bir yoldayım geçmişten bu güne ne sensiz nede seninle yapabiliyorum sen yine pencerede ufku seyrediyordun ama ben yine o sokakta ve

sen duygularımdaydın her ne kadar gözlerimiz kesişside
alastor sci fi alien romance google play - Mar 31 2022

web alastor sci fi alien romance ebook written by charmaine ross read this book using google play books app on your pc android ios devices download for offline reading highlight bookmark or take notes while you read alastor sci fi alien romance
amari s adored a sci fi alien romance the quasar lineage - Feb 10 2023

web read the latest magazines about amari s adored a sci fi alien romance the quasar lineage book 3 kindle and discover magazines on yumpu com

amari s adored a sci fi alien romance the quasar lineage - Sep 05 2022

web amari s adored a sci fi alien romance the quasar lineage book 3 english edition ebook tate pearl amazon de kindle shop
amari s adored a sci fi alien romance the quasar lineage - Jun 02 2022

web lee ahora en digital con la aplicación gratuita kindle

amazon amari s adored a sci fi alien romance the quasar - Dec 08 2022

web dec 17 2018 amari s adored a sci fi alien romance the quasar lineage book 3 english edition kindle edition by tate pearl download it once and read it on your kindle device pc phones or tablets use features like bookmarks note taking and highlighting while reading amari s adored a sci fi alien romance the quasar lineage book 3

amari s adored a sci fi alien romance the quasar lineage - Jan 09 2023

web amari s adored a sci fi alien romance the quasar lineage book 3 ebook tate pearl amazon com au books

amari s adored a sci fi alien romance the quasar lineage - May 13 2023

web rated 5 0 5 stars amari s adored a sci fi alien romance the quasar lineage book 3 is tagged as futuristic science fiction aliens multicultural blurb i m one of eight young women abducted by aliens from college before i even wake up from my abduction i m rescued from the shuttle that crashed here on their prison planet

pdf read online amari s adored a sci fi alien romance the quasar - May 01 2022

web nov 24 2020 pdf read online amari s adored a sci fi alien romance the quasar lineage book 3 unlimited view in fullscreen copy link to download great ebookexpres com book b071fvk74k like this book you can publish your book online for free in a few minutes fathima raley anyflip com mxote srve share

amazon com customer reviews amari 39 s adored a sci fi alien - Nov 07 2022

web find helpful customer reviews and review ratings for amari s adored a sci fi alien romance the quasar lineage book 3 at amazon com read honest and unbiased product reviews from our users

amari s adored a sci fi alien romance the quasar lineage - Aug 04 2022

web amari s adored a sci fi alien romance the quasar lineage book 3 ebook tate pearl amazon in kindle ☐ ☐ ☐

[amari s adored a sci fi alien romance the quasar lineage](#) - Apr 12 2023

web dec 17 2018 amari s adored is book 3 in the quasar lineage science fiction romance series by pearl tate this book centers on rachel one of a group of women abducted by aliens from college on earth and amari an alien living on a prison planet

amari s adored a sci fi yumpu - Jan 29 2022

web read the latest magazines about amari s adored a sci fi and discover magazines on yumpu com

[amari s adored a sci fi alien romance the quasar lineage](#) - Jul 03 2022

web compre amari s adored a sci fi alien romance the quasar lineage book 3 english edition de tate pearl na amazon com br confira também os ebooks mais vendidos lançamentos e livros digitais exclusivos

amari s adored a sci fi alien romance the quasar lineage - Jun 14 2023

web amari s adored a sci fi alien romance the quasar lineage book 3 ebook tate pearl amazon in kindle store

amari s adored a sci fi alien romance the quasar lineage book 3 - Aug 16 2023

web dec 17 2018 audiobook 0 00 free with your audible trial i m one of eight young women abducted by aliens from college before i even wake up from my abduction i m rescued from the shuttle that crashed here on their prison planet my rescuer is different though with mismatched eyes and a language i can t understand

quasar lineage series books 1 2 3 a sci fi alien romance - Mar 11 2023

web jul 20 2020 quasar lineage series books 1 2 3 a sci fi alien romance bundle bren s blessing matthias s miracle amari s adored the quasar lineage kindle edition by tate pearl download it once and read it

amari s adored the quasar lineage 3 by pearl tate goodreads - Jul 15 2023

web amari s adored pearl tate 4 26 362 ratings69 reviews i m one of eight young women abducted by aliens from college before i even wake up from my abduction i m rescued from the shuttle that crashed here on their prison planet my rescuer is different though with mismatched eyes and a language i can t understand

the first billion is the hardest reflections on a life of - Feb 17 2023

web both a riveting account of a life spent pulling off improbable triumphs and a report back from the front of the global energy and natural resource wars the first billion is the hardest

first billion is the hardest reflections on a life of comebacks - Jan 16 2023

web first billion is the hardest reflections on a life of comebacks and america s energy future t boone pickens booneism 4 as my father used to say there are three

[the first billion is the hardest reflections on a life of](#) - Oct 13 2022

web the first billion is the hardest reflections on a life of comebacks and america s energy future pickens t boone 3 75 avg

rating 1 134 ratings by isbn 10

the first billion is the hardest reflections on a life of - Jun 09 2022

web both a riveting account of a life spent pulling off improbable triumphs and a report back from the front of the global energy and natural resource wars the first billion is the hardest

radio burst travels 8 billion years to reach earth astronomers say - May 08 2022

web 12 hours ago a radio burst traveled 8 billion years to reach earth it s the farthest ever detected in a study published last week researchers concluded that a fast radio burst in

[the first billion is the hardest reflections on a life of](#) - Dec 15 2022

web sep 16 2008 the first billion is the hardest reflections on a life of comebacks and america s energy future audible audiobook unabridged t boone pickens author

download the first billion is the hardest reflections on a - Feb 05 2022

web the first billion is the hardest reflections on a life of comebacks and america s energy future pdf the first billion is the hardest reflections on a life of comebacks

the first billion is the hardest reflections on a life of - Jul 22 2023

web both a riveting account of a life spent pulling off improbable triumphs and a report back from the front of the global energy and natural resource wars the first billion is the hardest

the first billion is the hardest reflections on a life of - Jul 30 2021

web the first billion is the hardest reflections on a life of comebacks and america s energy future isbn 13 9780307396013 the first billion is the hardest reflections

the first billion is the hardest reflections on a life of comebacks - May 20 2023

web the first billion is the hardest reflections on a life of comebacks and america s energy future by pickens t boone thomas boone

this fast radio burst took 8 billion years to reach earth nature - Mar 06 2022

web oct 19 2023 gemma conroy the fast radio burst came from a galaxy or galaxies 8 billion light years from earth credit eso m kornmesser scientists have measured the

the first billion is the hardest reflections on a life of - Jun 21 2023

web sep 2 2008 both a riveting account of a life spent pulling off improbable triumphs and a report back from the front of the global energy and natural resource wars the first

blackstone the second trillion is always the hardest financial - Jan 04 2022

web oct 19 2023 blackstone shares are up roughly a third this year after a difficult 2022 the company said the spike in the

10 year treasury yield to almost 5 per cent would exact a

the first billion is the hardest reflections on a life of - Sep 24 2023

web sep 8 2009 the first billion is the hardest reflections on a life of comebacks and america s energy future pickens t boone
9780307396013 amazon com books books

the first billion is the hardest reflections on a life of - Apr 07 2022

web the first billion is the hardest reflections on a life of comebacks and america s energy future paperback 1973 edition on
amazon com free shipping on

the first billion is the hardest reflections on a life of - Nov 14 2022

web the first billion is the hardest reflections on a life of comebacks and america s energy future paperback illustrated 8
september 2009 by t boone pickens author

the first billion is the hardest reflections on a life of - Apr 19 2023

web the first billion is the hardest reflections on a life of comebacks and america s energy future t boone pickens amazon
com tr kitap

the first billion is the hardest reflections on a life of - Aug 23 2023

web jun 19 2009 wyly says virtually the same thing both men have been involved in high profile hostile takeovers more often
than not as a small fry threatening to gain control

the first billion is the hardest reflections on a life of - Aug 11 2022

web it s never too late to top your personal best both a riveting account of a life spent pulling off improbable triumphs and a
report back from the front of the global energy and natural

the first billion is the hardest reflections on a - Oct 01 2021

web the first billion is the hardest reflections on a downloaded from careersatdot com by guest giovanna keely numbered
account john wiley

the first billion is the hardest reflections on a pdf - Nov 02 2021

web carl icahn earn your first billion dollars using the proven methods of the world s greatest investors the first billion is the
hardest kill six billion demons vol 4 king

the first billion is the hardest reflections on a life - Sep 12 2022

web apr 22 2021 read 93 reviews from the world s largest community for readers with a plan for reducing u s oil
dependencyit s never too late to top your personal best n

eu green goals set to cost romania 356 billion bloomberg - Dec 03 2021

web 18 hours ago romania needs to spend a massive 356 billion by 2050 to meet the european union s carbon neutral

targets a sum its citizens are far from eager to pay the

the first billion is the hardest reflections on a life of - Mar 18 2023

web buy the first billion is the hardest reflections on a life of comebacks and america s energy future abridged by pickens t boone morey arthur isbn 9780739366561

the first billion is the hardest reflections on a life of - Aug 31 2021

web the first billion is the hardest reflections on a life of comebacks and america s energy future pickens t boone 9780307396013 books amazon ca

the first billion is the hardest reflections on a life of - Jul 10 2022

web from a businessman who is extraordinarily humble yet is considered one of the world s most visionary the first billion is the hardestis both a riveting account of a life spent pulling