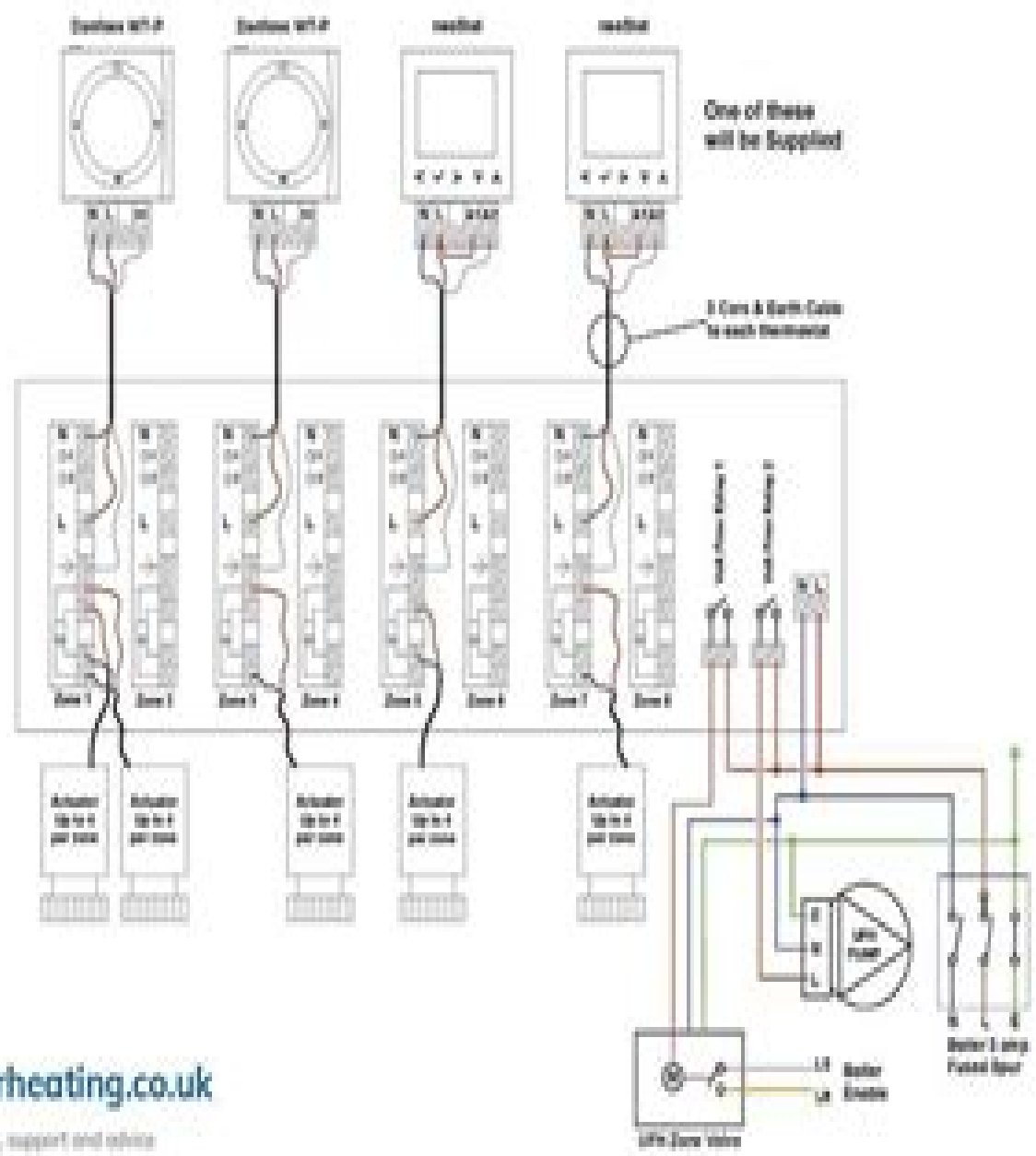


Wiring using a Wiring Centre (Multi Zone)



Connection Example Danfoss

Jan-Olaf Willums, Ulrich Golüke



Connection Example Danfoss:

Entrepreneurship in Theory and Practice Suna Løwe Nielsen, Kim Klyver, Majbritt Rostgaard Evald, Torben Bager, 2021-03-26 The third edition of this creative and successful textbook provides a broad overview of entrepreneurship from a theoretical and practical perspective Engaging for undergraduates it embeds theories of entrepreneurship with tensions and dilemmas presented as paradoxes for each chapter It offers insights into the entrepreneurial process and challenges readers to assess the paradoxes and pitfalls encountered on an entrepreneurial journey Mass Customisation and Personalisation in Architecture and Construction Poorang Piroozfar, Frank Piller, 2013-06-19 Challenged by the recent economic crisis the building and construction industry is currently seeking new orientation and strategies Here mass customisation is uncovered as a key strategy in helping to meet this challenge The term mass customisation denotes an offering that meets the demands of each individual customer whilst still being produced with mass production efficiency Today mass customisation is emerging from a pilot stage into a scalable and sustainable strategy The first dedicated publication of its kind this book provides a forum for the concept within an applied and highly innovative context The book includes contributions from some of the most prominent thinkers and practitioners in the field from across the world including Kasper S Vibaek Steve Kendall Martin Bechthold Mitchell M Tseng and Masa Noguchi Bringing together this panel of experts who have carried out research both in academia and practice this book provides an overview of state of the art practice related to the concept of customisation and personalisation within the built environment **From Ideas to Action** Jan-Olaf Willums, Ulrich Golüke, 1992 The earth our asset Business sustainable development and environmental assets The air around us The water we need The vanishing forests The richness of nature biodiversity The lost resource waste Hopes and promises population poverty and health The business response to sustainable development The greening of enterprise industry s score Fueling economic development the double edge of energy Bridging the gap industry s role in technology cooperation The road ahead The ICC business charter for sustainable development The history of the business charter Further reference material on cases Corporate environmental profiles The Rio declaration and ICC business charter on environment and development Reference documents *The Journal of Refrigeration* ,1968 **Water 21** ,1999 **Modern Refrigeration ...** ,1974 **Market Oriented Product Innovation** Knut Holt, 2013-03-14 Market Oriented Product Innovation differs from most other titles written either from a marketing or technical perspective by giving a holistic view of the product innovation process It has a product perspective written from a managerial point of view recognizing that product innovation or new product development is a discipline of its own It is concerned with managing the products goods and services through their life cycle integrating marketing knowledge and technological expertise with the aim of getting satisfied customers The book also gives a thorough treatment of the human and cultural aspects of product innovation by focusing on the change processes needed for the development of a market oriented culture *The Journal of the Institution*

of Heating and Ventilating Engineers Institution of Heating and Ventilating Engineers (Great Britain),1960 The
Engineering and Boiler House Review ,1962 Shipbuilding & Marine Engineering International ,1972 Engineering
Materials and Design ,1990 **Processing** ,1993 **Business Review Weekly** ,2004 *Heating & Air Treatment*
Engineer ,1961 Embedded Software ,2005 Desalination Jane Kucera,2019-04-11 This all new revised edition of a
modern classic is the most comprehensive and up to date coverage of the green process of desalination in industrial and
municipal applications covering all of the processes and equipment necessary to design operate and troubleshoot
desalination systems This is becoming increasingly more important for not only our world s industries but our world s
populations as pure water becomes more and more scarce Blue is the new green This is an all new revised edition of a
modern classic on one of the most important subjects in engineering Water Featuring a total revision of the initial volume
this is the most comprehensive and up to date coverage of the process of desalination in industrial and municipal applications
a technology that is becoming increasingly more important as more and more companies choose to go green This book covers
all of the processes and equipment necessary to design operate and troubleshoot desalination systems from the fundamental
principles of desalination technology and membranes to the much more advanced engineering principles necessary for
designing a desalination system Earlier chapters cover the basic principles the economics of desalination basic terms and
definitions and essential equipment The book then goes into the thermal processes involved in desalination such as various
methods of evaporation distillation recompression and multistage flash Following that is an exhaustive discussion of the
membrane processes involved in desalination such as reverse osmosis forward osmosis and electrodialysis Finally the book
concludes with a chapter on the future of these technologies and their place in industry and how they can be of use to society
This book is a must have for anyone working in water for engineers technicians scientists working in research and
development and operators It is also useful as a textbook for graduate classes studying industrial water applications
Interactions ,1997 A magazine for designers of interactive products **Official Journal of the European**
Communities ,1988 Official Reference Book and Buyers' Guide ,1986 **La vita tra cose e natura** Electa,1992

Connection Example Danfoss Book Review: Unveiling the Magic of Language

In an electronic era where connections and knowledge reign supreme, the enchanting power of language has become much more apparent than ever. Its capability to stir emotions, provoke thought, and instigate transformation is really remarkable. This extraordinary book, aptly titled "**Connection Example Danfoss**," published by a very acclaimed author, immerses readers in a captivating exploration of the significance of language and its profound effect on our existence. Throughout this critique, we will delve into the book's central themes, evaluate its unique writing style, and assess its overall influence on its readership.

<https://py.bijouxmedusa.com/book/book-search/index.jsp/1992%201998%20Bmw%203%20Series%20Bentley%20Repair%20Shop%20M3%20318i%20323i%20325i%20328i.pdf>

Table of Contents Connection Example Danfoss

1. Understanding the eBook Connection Example Danfoss
 - The Rise of Digital Reading Connection Example Danfoss
 - Advantages of eBooks Over Traditional Books
2. Identifying Connection Example Danfoss
 - Exploring Different Genres
 - Considering Fiction vs. Non-Fiction
 - Determining Your Reading Goals
3. Choosing the Right eBook Platform
 - Popular eBook Platforms
 - Features to Look for in a Connection Example Danfoss
 - User-Friendly Interface
4. Exploring eBook Recommendations from Connection Example Danfoss
 - Personalized Recommendations
 - Connection Example Danfoss User Reviews and Ratings
 - Connection Example Danfoss and Bestseller Lists

5. Accessing Connection Example Danfoss Free and Paid eBooks
 - Connection Example Danfoss Public Domain eBooks
 - Connection Example Danfoss eBook Subscription Services
 - Connection Example Danfoss Budget-Friendly Options
6. Navigating Connection Example Danfoss eBook Formats
 - ePub, PDF, MOBI, and More
 - Connection Example Danfoss Compatibility with Devices
 - Connection Example Danfoss Enhanced eBook Features
7. Enhancing Your Reading Experience
 - Adjustable Fonts and Text Sizes of Connection Example Danfoss
 - Highlighting and Note-Taking Connection Example Danfoss
 - Interactive Elements Connection Example Danfoss
8. Staying Engaged with Connection Example Danfoss
 - Joining Online Reading Communities
 - Participating in Virtual Book Clubs
 - Following Authors and Publishers Connection Example Danfoss
9. Balancing eBooks and Physical Books Connection Example Danfoss
 - Benefits of a Digital Library
 - Creating a Diverse Reading Collection Connection Example Danfoss
10. Overcoming Reading Challenges
 - Dealing with Digital Eye Strain
 - Minimizing Distractions
 - Managing Screen Time
11. Cultivating a Reading Routine Connection Example Danfoss
 - Setting Reading Goals Connection Example Danfoss
 - Carving Out Dedicated Reading Time
12. Sourcing Reliable Information of Connection Example Danfoss
 - Fact-Checking eBook Content of Connection Example Danfoss
 - Distinguishing Credible Sources
13. Promoting Lifelong Learning

- Utilizing eBooks for Skill Development
 - Exploring Educational eBooks
14. Embracing eBook Trends
- Integration of Multimedia Elements
 - Interactive and Gamified eBooks

Connection Example Danfoss Introduction

In today's digital age, the availability of Connection Example Danfoss books and manuals for download has revolutionized the way we access information. Gone are the days of physically flipping through pages and carrying heavy textbooks or manuals. With just a few clicks, we can now access a wealth of knowledge from the comfort of our own homes or on the go. This article will explore the advantages of Connection Example Danfoss books and manuals for download, along with some popular platforms that offer these resources. One of the significant advantages of Connection Example Danfoss books and manuals for download is the cost-saving aspect. Traditional books and manuals can be costly, especially if you need to purchase several of them for educational or professional purposes. By accessing Connection Example Danfoss versions, you eliminate the need to spend money on physical copies. This not only saves you money but also reduces the environmental impact associated with book production and transportation. Furthermore, Connection Example Danfoss books and manuals for download are incredibly convenient. With just a computer or smartphone and an internet connection, you can access a vast library of resources on any subject imaginable. Whether you're a student looking for textbooks, a professional seeking industry-specific manuals, or someone interested in self-improvement, these digital resources provide an efficient and accessible means of acquiring knowledge. Moreover, PDF books and manuals offer a range of benefits compared to other digital formats. PDF files are designed to retain their formatting regardless of the device used to open them. This ensures that the content appears exactly as intended by the author, with no loss of formatting or missing graphics. Additionally, PDF files can be easily annotated, bookmarked, and searched for specific terms, making them highly practical for studying or referencing. When it comes to accessing Connection Example Danfoss books and manuals, several platforms offer an extensive collection of resources. One such platform is Project Gutenberg, a nonprofit organization that provides over 60,000 free eBooks. These books are primarily in the public domain, meaning they can be freely distributed and downloaded. Project Gutenberg offers a wide range of classic literature, making it an excellent resource for literature enthusiasts. Another popular platform for Connection Example Danfoss books and manuals is Open Library. Open Library is an initiative of the Internet Archive, a non-profit organization dedicated to digitizing cultural artifacts and making them accessible to the public. Open Library hosts millions of books, including both public domain works and contemporary titles. It also allows users to

borrow digital copies of certain books for a limited period, similar to a library lending system. Additionally, many universities and educational institutions have their own digital libraries that provide free access to PDF books and manuals. These libraries often offer academic texts, research papers, and technical manuals, making them invaluable resources for students and researchers. Some notable examples include MIT OpenCourseWare, which offers free access to course materials from the Massachusetts Institute of Technology, and the Digital Public Library of America, which provides a vast collection of digitized books and historical documents. In conclusion, Connection Example Danfoss books and manuals for download have transformed the way we access information. They provide a cost-effective and convenient means of acquiring knowledge, offering the ability to access a vast library of resources at our fingertips. With platforms like Project Gutenberg, Open Library, and various digital libraries offered by educational institutions, we have access to an ever-expanding collection of books and manuals. Whether for educational, professional, or personal purposes, these digital resources serve as valuable tools for continuous learning and self-improvement. So why not take advantage of the vast world of Connection Example Danfoss books and manuals for download and embark on your journey of knowledge?

FAQs About Connection Example Danfoss Books

How do I know which eBook platform is the best for me? Finding the best eBook platform depends on your reading preferences and device compatibility. Research different platforms, read user reviews, and explore their features before making a choice. Are free eBooks of good quality? Yes, many reputable platforms offer high-quality free eBooks, including classics and public domain works. However, make sure to verify the source to ensure the eBook credibility. Can I read eBooks without an eReader? Absolutely! Most eBook platforms offer web-based readers or mobile apps that allow you to read eBooks on your computer, tablet, or smartphone. How do I avoid digital eye strain while reading eBooks? To prevent digital eye strain, take regular breaks, adjust the font size and background color, and ensure proper lighting while reading eBooks. What the advantage of interactive eBooks? Interactive eBooks incorporate multimedia elements, quizzes, and activities, enhancing the reader engagement and providing a more immersive learning experience. Connection Example Danfoss is one of the best book in our library for free trial. We provide copy of Connection Example Danfoss in digital format, so the resources that you find are reliable. There are also many Ebooks of related with Connection Example Danfoss. Where to download Connection Example Danfoss online for free? Are you looking for Connection Example Danfoss PDF? This is definitely going to save you time and cash in something you should think about.

Find Connection Example Danfoss :

1992 1998 bmw 3 series bentley repair shop m3 318i 323i 325i 328i

1111841098 UUS111

~~1996 yamaha p115 thru outboard service repair maintenance manual factory~~

1979 1985 harley davidson xl xr sportster motorcycle repair

~~100 ways to motivate yourself change your life forever~~

05 result ElectronicandTelecommunicationEngineering

1962 johnson outboard motor 3 hp parts used

12 1 understanding ratios wampatuck grade 6

2 ib language b standard or higher level mt language in

10 000 days of thunder abcxyzore

100 recettes de gordon ramsay

1931981027 UUS85

~~11th topper star guide pdf download pdf thebookee~~

11th chapter wise neet questionsbook download

~~2 1 3 classification of minerals chiang mai university~~

Connection Example Danfoss :

veterans administration pre employment examination for nurses - Nov 08 2022

web veterans administration pre employment examination for nurses may 5th 2018 one of the largest in south carolina greenville technical college s associate degree nursing program was developed in 1971 and produces graduates that are eligible to take the national registered nurse licensure examination and begin careers in the nursing profession

pre employment pass ep medical check up health screening - May 14 2023

web the employment pass allows foreign professionals managers and executives with a salary of 4 500 a month and acceptable qualifications to work in singapore the ministry of manpower mom requires employment pass applicants to undergo a

pre employment checks hrsingapore - Sep 18 2023

web pre employment checks question dear hr community i understand that many companies carry out pre employment checks especially pre employment medical examinations are there any other reasons for carrying out such investigations on

our potential employees can we skip this if our medical insurers do not require such details

veterans administration pre employment examination for nurses - Jun 15 2023

web veterans administration pre employment examination for nurses downloaded from vps huratips com by guest burgess

brown reemployment of veterans springer 21st century system for evaluating veterans disability benefits recommends

improvements in the medical evaluation and rating of veterans for the benefits provided by the

veterans administration pre employment examination for nurses - Apr 01 2022

web apr 6 2023 veterans administration pre employment examination for nurses 3 4 downloaded from uniport edu ng on

april 6 2023 by guest veterans administration publications index united states veterans administration 1989 evaluation of the

department of veterans affairs mental health services national academies of

pre employment pass medical check up ata med - Apr 13 2023

web the employment pass allows foreign professionals managers and executives with a salary of 4 500 a month and

acceptable qualifications to work in singapore the ministry of manpower mom requires employment pass applicants to

undergo a medical examination alternatively our clinic is also able to customize and include tests such as

pre employment references policy notice veterans affairs - Jul 16 2023

web department of veterans affairs va notice 22 13 washington dc 20420 june 22 2022 pre employment references policy

notice 1 purpose the purpose of this notice is to announce the inclusion of pre employment reference check requirements in

the hiring process in the hiring

veterans administration pre employment examination for nurses - May 02 2022

web may 27 2023 veterans administration pre employment examination for nurses 1 4 downloaded from uniport edu ng on

may 27 2023 by guest veterans administration pre employment examination for nurses right here we have countless books

veterans administration pre employment examination for nurses and collections to check out

march 30 2022 employee occupational health service veterans affairs - Aug 17 2023

web department of veterans affairs va handbook 5019 6 washington dc 20420 transmittal sheet march 30 2022 employee

occupational health service 1 reason for issue to reissue department of veterans affairs va policy regarding the employee

occupational health service 2 summary of contents major

veterans administration pre employment examination for nurses - Aug 05 2022

web rn programs amp careers how to become an rn may 9th 2018 registered nurses serve as a fulcrum in medical process

discover what it takes to become an rn from education and experience to graduation and exams fedcure second look barber

amendment good time bill may 9th 2018 the incarcerated veterans

veterans administration pre employment examination for nurses - Jul 04 2022

web jun 20 2023 veterans administration pre employment examination for nurses 2 4 downloaded from uniport edu ng on
 june 20 2023 by guest annual report of the secretary of veterans affairs united states department of veterans affairs 1987
 manpower review 1945 04 veterans administration publications index united states veterans

pre employment physical for va hospital nursing career support - Oct 19 2023

web nov 13 2009 pre employment physical for va hospital nurses career support published nov 13 2009 by amileslpn i have
 a physical coming up for the va hospital from the way the gentleman who scheduled me spoke it will be a very long day does
 anyone know what the physical consists of

pre employment medical examination for mdws ministry of - Jan 10 2023

web six monthly medical examination 6me for mdw you must send your migrant domestic worker mdw for a medical
 examination before you can get her work permit issued find out the medical examination requirements

pre employment pass ep medical check up advantage - Feb 11 2023

web quick appointment employment pass ep medical check up quick and easy walk ins accepted daily we provide affordable
 employment medical check ups for employment pass ep holders or pre employment for both new applications and renewals
 as per the ministry of manpower mom s requirements

aptitude tests for registered nurses rns criteria corp - Dec 09 2022

web pre employment tests for registered nurses rns top skills and abilities inductive reasoning oral comprehension social
 perceptiveness critical thinking written comprehension top 3 tasks perform physical exams and health histories administer
 medications and treatment

veterans administration pre employment examination for nurses - Mar 12 2023

web veterans administration pre employment examination for nurses below the veterans administration a broken system
 revised stephen reedbs rel ms theo ms social work veterans administration medical care appropriation evaluation of target
 allowance fiscal year 1976 united states veterans administration 1975

veterans administration pre employment examination for nurses - Jun 03 2022

web 4 veterans administration pre employment examination for nurses 2023 05 30 benefits provided by the department of
 veterans affairs va to compensate for illnesses or injuries incurred in or aggravated by military service compensation is a
 monthly cash benefit based on a rating schedule that determines the degree of disability on a scale of

veterans administration pre employment examination for nurses - Oct 07 2022

web veterans administration pre employment examination for nurses veterans of the civil rights movement history may 7th
 2018 the situation spring 1966 for decades the naacp the regional council of negro leadership and other afro american
 organizations fought to win voting rights for mississippi blacks nursing wikipedia

veterans administration pre employment examination for nurses - Sep 06 2022

web sep 22 2023 nursing nurse administration third party pre tax parking reimbursement program calhr nursing wikipedia search careers and industries skills and employment may 11th 2018 search for a career see what training you need and get ready for the job you want get information about the employment prospects qualifications

veterans administration pre employment examination for nurses - Feb 28 2022

web sep 16 2023 nurse administration vetbiz gov nursing wikipedia rn programs amp careers how to become an rn arizona dept american legion veterans social work policy institute may 9th 2018 social workers are an integral part of the interdisciplinary treatment teams within every veterans affairs va medical center vet center and in

the american nation a history of the united states ap edition carnes - Apr 11 2023

web jan 1 2008 the political history of the united states is intimately tied with its social economic and cultural development co authors mark carnes and john garraty explore this relationship and show how it took the voices and actions of many peoples to produce this singular political structure the united states of america

carne asada with nopales and green onions sunset magazine - Jan 28 2022

web 1 make seasoning blend combine all ingredients in a small bowl 2 prepare meat working over a large bowl sprinkle a piece of meat on both sides with seasoning blend set in bowl and repeat layering seasoned meat add beer and mix with hands until evenly moistened let stand while you prepare the fire

ata carnet international trade administration - Apr 30 2022

web the ata carnet also referred to as a merchandise passport or passport for goods is an international customs document that allows for temporary entry of goods on a duty free and tax free basis whether shipped or hand carried the ata carnet system was established by the international ata conventions and is governed by the world

the american nation google books - May 12 2023

web mark c carnes john a garraty pearson longman 2005 united states 445 pages using the political history of the nation as the framework on which social economic and cultural

carne harbiye Şişli İstanbul - Jul 02 2022

web carne İletişim ve ulaşım bilgileri stil restoran telefon telefon için tıklayınız adres halaskargazi c n 53 kenter tiyatrosu yanı uzay apt harbiye Şişli İstanbul haritayı görmek için tıklayınız bu mekanı sitemizden bulduğunuzu söylemeyi unutmayınız

all nations welcome except carrie - Feb 26 2022

web burgers in the us delish com best burger in ohio thrillist open for dine in outdoor dining and carrie out monday tuesday closed wednesday thursday 4pm 10pm nation kitchen bar 1200 broadway cincinnati oh 45202 united states 513 381 3794 hours mon 11am to 12am tue 11am to 12am wed 11am to 12am thu 11am to 12am

american expats in istanbul find jobs events other expats - Mar 30 2022

web mix and mingle with americans in istanbul at our events our istanbul community is also lively and welcoming offline the internationals ambassadors host regular get togethers and a range of expat activities e g a chic dining experience in istanbul s trendiest restaurant or a get away with fellow american expats to discover aegean turkey

the american nation 15th edition vitalsource - Nov 06 2022

web the american nation a history of the united states combined volume 15th edition is written by mark c carnes john a garraty and published by pearson the digital and etextbook isbn s for the american nation are 9780133952995 0133952991 and the print isbn s are 9780205958504 0205958508

american nation the a history of the united states volume 1 - Jan 08 2023

web apr 28 2015 in the american nation co authors mark carnes and john garraty explore this complicated and fascinating relationship between politics and people long renowned for its elegant narrative style the american nation 13th edition retains its most significant strength its rich and memorable prose

american nation the a history of the united states volume 2 - Sep 04 2022

web jul 9 2021 american nation the a history of the united states volume 2 15th edition published by pearson july 8 2021 2016 mark c carnes columbia university john a garraty emeritus columbia university deceased

the american nation a history of the united states google - Jul 14 2023

web mark c carnes john a garraty pearson longman 2006 united states 903 pages using the political history of the nation as the framework on which social economic and cultural

us sanctions lebanon south america network accused of - Dec 27 2021

web sep 12 2023 1 of 1 file the u s treasury department building at dusk in washington june 6 2019 the united states has slapped terrorism sanctions on a family network of seven individuals and businesses in lebanon and south america accused of financing the militant group hezbollah including a lebanese man who officials say was

menu nation s giant hamburgers best since 1952 - Jun 01 2022

web bacon cheeseburger a 1 3 lb all beef patty served on a toasted bun with tomatoes lettuce onions and dressing comes with two thick slices of melted cheese and three slices of bacon

the american nation 15th edition 15th edition amazon com - Aug 15 2023

web mar 16 2015 carnes and garraty were general editors of the 26 volume american national biography for which they were awarded the waldo leland prize of the american historical association carnes has published numerous books on american social and cultural history including secret ritual and manhood in victorian america 1989 past

nusr et ana sayfa - Aug 03 2022

web nusr et steakhouse sandal bedesteni beyazıt mahallesi Çarşıkapı nur u osmaniye caddesi sandal bedesteni Çarşısı fatih istanbul turkey 90 212 5 nusret 687 738 book your experience nusr et steakhouse İstinye park pınar mah katar cad no 11 515 İstinye park avm sarıyer istanbul turkey 90 212 345 58 87 nusr et steakhouse

the american nation a history of the united states volume 1 - Oct 05 2022

web the american nation a history of the united states volume 1 to 1877 carnes mark c amazon com tr kitap

the american nation google books - Jun 13 2023

web apr 16 2015 carnes and garraty were general editors of the 26 volume american national biography for which they were awarded the waldo leland prize of the american historical association carnes has

the american nation 15th edition by carnes mark c very - Dec 07 2022

web may 15 2019 the american nation a history of the united states fifteenth edition surveys american history in a way that bridges the present to the past emphasizing the relevance of history to contemporary readers by showing how history connects to the experiences and expectations that mark students lives the authors bring the study of the

the american nation google books - Feb 09 2023

web the american nation a history of the united states since 1865 john a garraty mark c carnes longman 1999 united states 570 pages

the american nation a history of the united states volume 2 since - Mar 10 2023

web nov 2 2007 the american nation 13th edition volume ii mark c carnes john a garraty it took the voices and actions of many different people to produce the singular structure of the united states and because of this the country s political history is intimately tied with its social economic and cultural development

sprachtrainer französisch cd rom für windows 3 1 95 by test - Jan 28 2022

web sprachtrainer französisch cd rom für windows 3 1 95 by sprachtrainer französisch cd rom für windows 3 1 95 by is accessible in our book compilation an online access to it is set as public so you can get it immediately you could buy instruction sprachtrainer französisch cd rom für windows 3 1 95 by or get it as soon as possible

sprachtrainer franzosisch cd rom fur windows 3 1 - Jan 08 2023

web sprachtrainer franzosisch cd rom fur windows 3 1 downloaded from etherpad arts ac uk by guest hunter burke media multimedia omnimedia waxmann verlag méthode d apprentissage du français pour anglophones neue medien im fremdsprachenunterricht lehrmittel wagner autor pc ab 486 4mb ram 12mb

sprachtrainer französisch cd rom für windows 3 1 95 audio cd - Aug 15 2023

web sprachtrainer französisch cd rom für windows 3 1 95 isbn 9783828112056 kostenloser versand für alle bücher mit versand und verkauf duch amazon

sprachtrainer französisch cd rom fur windows 3 1 download - Sep 04 2022

web 1 sprachtrainer französisch cd rom fur windows 3 1 when somebody should go to the books stores search initiation by shop shelf by shelf it is in fact problematic this is why we offer the books compilations in this website it will agreed ease you to look guide sprachtrainer französisch cd rom fur windows 3 1 as you such as

sprachtrainer französisch cd rom fur windows 3 1 uniport edu - Aug 03 2022

web jun 26 2023 sprachtrainer französisch cd rom fur windows 3 1 1 5 downloaded from uniport edu ng on june 26 2023 by guest sprachtrainer französisch cd rom fur windows 3 1 thank you extremely much for downloading sprachtrainer französisch cd rom fur windows 3 1 most likely you have knowledge that people have look numerous sprachtrainer französisch cd rom für windows 3 1 95 by - Jul 02 2022

web sprachtrainer französisch cd rom für windows 3 1 95 by sprachtrainer französisch cd rom für windows 3 1 95 by markenlose bildung sprachen und wissen günstig kaufen ebay abiturwissen lucian chadwick maret 2016 pons wörterbuch definitionen übersetzungen vokabular sprachkurse und führungskräftetraining berlitz

sprachtrainer französisch cd rom fur windows 3 1 pdf - Oct 05 2022

web sprachtrainer französisch cd rom fur windows 3 1 1 5 downloaded from uniport edu ng on april 10 2023 by guest sprachtrainer französisch cd rom fur windows 3 1 recognizing the artifice ways to acquire this ebook sprachtrainer französisch cd rom fur windows 3 1 is additionally useful

sprachtrainer französisch cd rom für windows 3 1 95 by - Mar 30 2022

web deploy sprachtrainer französisch cd rom für windows 3 1 95 by therefore plain we settle for sprachtrainer französisch cd rom für windows 3 1 95 by and various books compilations from fictions to scientific analysis in any way you cannot be perplexed to enjoy every book assortments sprachtrainer

französisch 1 lernjahr cd rom für windows ab 3 1 95 - Apr 11 2023

web may 27th 2020 epub book französisch 1 lernjahr cd rom fur windows ab 3 1 95 grammatik wortschatz erfolgreicher lernen mit cd rom pdf book from the collections the cassette that we present refers to the most wanted cassette in the world yeah why don t you bee one of the world readers of ebook französisch 1 lernjahr cd rom fur windows ab 3

sprachtrainer französisch cd rom fur windows 3 1 pdf - Mar 10 2023

web jun 13 2023 sprachtrainer französisch cd rom fur windows 3 1 1 5 downloaded from uniport edu ng on june 13 2023 by guest sprachtrainer französisch cd rom fur windows 3 1 this is likewise one of the factors by obtaining the soft documents of this sprachtrainer französisch cd rom fur windows 3 1 by online you might not

sprachtrainer französisch cd rom fur windows 3 1 copy - Dec 27 2021

web 2 sprachtrainer französisch cd rom fur windows 3 1 2020 06 28 and the active phase in which users begin to create

sentences and imagine themselves in a variety of everyday situations

sprachtrainer französisch cd rom für windows 3 1 95 by - Jul 14 2023

web französisch für anfangler pas cher ou d occasion digital resources find digital datasheets resources sprachtrainer französisch cd rom für windows 3 1 95 by markenlose bildung sprachen und wissen günstig kaufen ebay sprachtrainer und audio cd für schüler pdf kindle campus ausgabe b gesamtkurs für latein in vier banden campus b

sprachtrainer französisch cd rom für windows 3 1 95 by - Jun 13 2023

web sprachtrainer französisch cd rom für windows 3 1 95 by sprachtrainer französisch cd rom für windows 3 1 95 by sekundarstufenunterricht horatio jules agustus 2016 arbeitskarten geographie diercke langenscheidt shop sprachenlernen mit büchern apps digital resources find digital datasheets resources full text of cd player magazine january

grammatiktrainer francais 1 cd rom für windows 3 x 95 ebay - Nov 06 2022

web entdecken sie grammatiktrainer francais 1 cd rom für windows 3 x 95 in der großen auswahl bei ebay kostenlose lieferung für viele artikel

sprachtrainer französisch cd rom für windows 3 1 pdf copy - Feb 09 2023

web title sprachtrainer französisch cd rom für windows 3 1 pdf copy red ortax org created date 9 3 2023 5 48 31 pm

sprachtrainer vollversion heise - Dec 07 2022

web 11 01 2023 alle angaben ohne gewähr digitaler sprachkurs für anfänger und fortgeschrittene für die sprachen englisch französisch spanisch italienisch und latein erhältlich zum

französisch 1 lernjahr cd rom für windows ab 3 1 95 - Jun 01 2022

web französisch 1 lernjahr cd rom für windows ab 3 1 95 grammatik wortschatz erfolgreicher lernen mit cd rom by jürgen pilottek lernsoftware plattform windows xp vista 7 7 neu kaufen eur 41 99 60 angebote ab eur

französisch 1 lernjahr cd rom für windows ab 3 1 95 - Apr 30 2022

web resources find digital datasheets resources chas andie november 2016 6f075716 französisch 1 lernjahr cd rom für windows ab 3 1 gallagher brady agustus 2016 pdf chinese takeaways buch mit dvd englische lektüre für may 12th 2020 sprachtrainer französisch 2 lernjahr von lernwelt grosshandel f lernsoftware plattform windows

langenscheidt vokabeltrainer unterstützte sprachen - Feb 26 2022

web eine eigene im handel erhältliche vokabeltrainer cd gibt es gegenwärtig nur für die sprachen englisch französisch italienisch spanisch und business english dennoch können sie mit jedem dieser vokabel bzw wortschatztrainer auch andere sprachen trainieren mit jedem dieser trainer

sprachtrainer französisch cd rom für windows 3 1 pdf - May 12 2023

web apr 8 2023 same way as this sprachtrainer französisch cd rom für windows 3 1 pdf but stop stirring in harmful

downloads rather than enjoying a good book subsequently a mug of coffee in the afternoon instead they juggled considering some harmful virus inside their computer sprachtrainer französisch cd rom fur windows 3 1 pdf is within