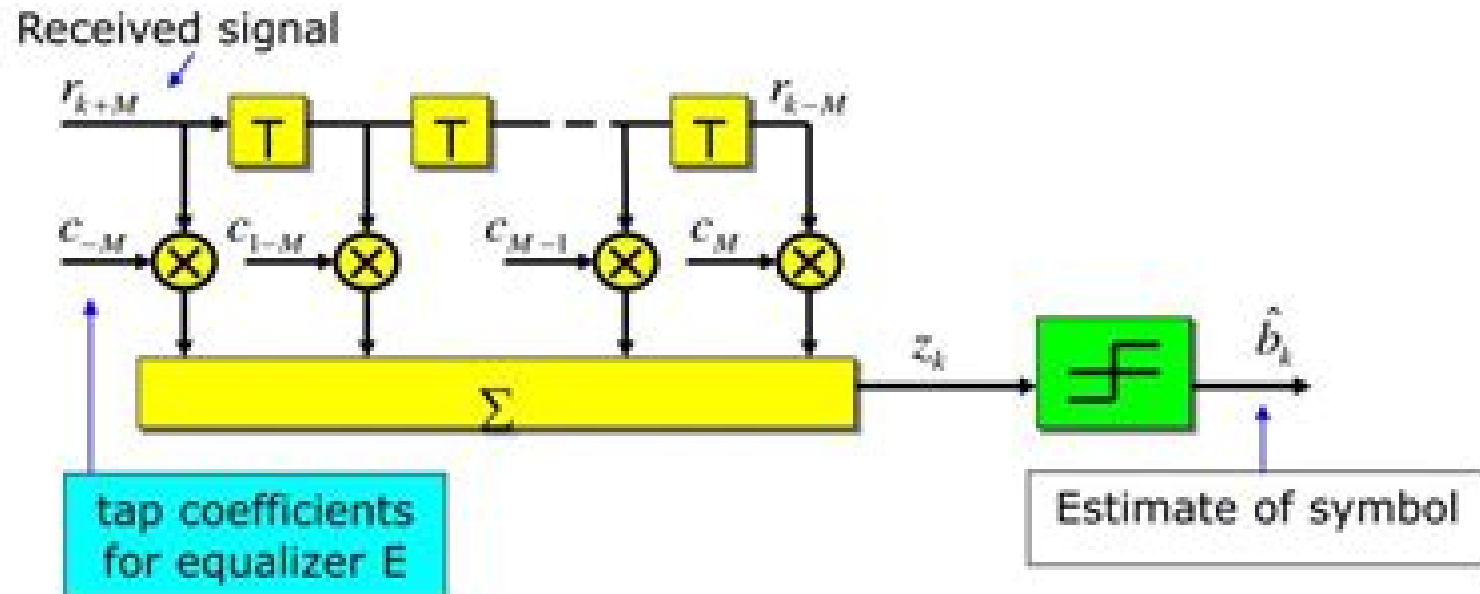


Zero-Forcing Equalization

- Zero ISI at the receiver output
- $B(f)H(f)E(f)=Z(f)$
- $Z(f)$: Nyquist spectrum e.g. raised cosine



Matlab Code Zero Forcing Algorithm For Ofdm

K. Deergha Rao



Matlab Code Zero Forcing Algorithm For Ofdm:

Thank you certainly much for downloading **Matlab Code Zero Forcing Algorithm For Ofdm**. Maybe you have knowledge that, people have look numerous time for their favorite books subsequently this Matlab Code Zero Forcing Algorithm For Ofdm, but end in the works in harmful downloads.

Rather than enjoying a good book when a cup of coffee in the afternoon, instead they juggled past some harmful virus inside their computer. **Matlab Code Zero Forcing Algorithm For Ofdm** is comprehensible in our digital library an online entrance to it is set as public consequently you can download it instantly. Our digital library saves in complex countries, allowing you to get the most less latency times to download any of our books subsequent to this one. Merely said, the Matlab Code Zero Forcing Algorithm For Ofdm is universally compatible once any devices to read.

<https://py.bijouxmedusa.com/results/book-search/default.aspx/home%20tech%20tools%20for%20startups%2032%202818%20smart%20home%20tech%20trends%20united.pdf>

Table of Contents Matlab Code Zero Forcing Algorithm For Ofdm

1. Understanding the eBook Matlab Code Zero Forcing Algorithm For Ofdm
 - The Rise of Digital Reading Matlab Code Zero Forcing Algorithm For Ofdm
 - Advantages of eBooks Over Traditional Books
2. Identifying Matlab Code Zero Forcing Algorithm For Ofdm
 - Exploring Different Genres
 - Considering Fiction vs. Non-Fiction
 - Determining Your Reading Goals
3. Choosing the Right eBook Platform
 - Popular eBook Platforms
 - Features to Look for in an Matlab Code Zero Forcing Algorithm For Ofdm
 - User-Friendly Interface
4. Exploring eBook Recommendations from Matlab Code Zero Forcing Algorithm For Ofdm
 - Personalized Recommendations

- Matlab Code Zero Forcing Algorithm For Ofdm User Reviews and Ratings
- Matlab Code Zero Forcing Algorithm For Ofdm and Bestseller Lists
- 5. Accessing Matlab Code Zero Forcing Algorithm For Ofdm Free and Paid eBooks
 - Matlab Code Zero Forcing Algorithm For Ofdm Public Domain eBooks
 - Matlab Code Zero Forcing Algorithm For Ofdm eBook Subscription Services
 - Matlab Code Zero Forcing Algorithm For Ofdm Budget-Friendly Options
- 6. Navigating Matlab Code Zero Forcing Algorithm For Ofdm eBook Formats
 - ePub, PDF, MOBI, and More
 - Matlab Code Zero Forcing Algorithm For Ofdm Compatibility with Devices
 - Matlab Code Zero Forcing Algorithm For Ofdm Enhanced eBook Features
- 7. Enhancing Your Reading Experience
 - Adjustable Fonts and Text Sizes of Matlab Code Zero Forcing Algorithm For Ofdm
 - Highlighting and Note-Taking Matlab Code Zero Forcing Algorithm For Ofdm
 - Interactive Elements Matlab Code Zero Forcing Algorithm For Ofdm
- 8. Staying Engaged with Matlab Code Zero Forcing Algorithm For Ofdm
 - Joining Online Reading Communities
 - Participating in Virtual Book Clubs
 - Following Authors and Publishers Matlab Code Zero Forcing Algorithm For Ofdm
- 9. Balancing eBooks and Physical Books Matlab Code Zero Forcing Algorithm For Ofdm
 - Benefits of a Digital Library
 - Creating a Diverse Reading Collection Matlab Code Zero Forcing Algorithm For Ofdm
- 10. Overcoming Reading Challenges
 - Dealing with Digital Eye Strain
 - Minimizing Distractions
 - Managing Screen Time
- 11. Cultivating a Reading Routine Matlab Code Zero Forcing Algorithm For Ofdm
 - Setting Reading Goals Matlab Code Zero Forcing Algorithm For Ofdm
 - Carving Out Dedicated Reading Time
- 12. Sourcing Reliable Information of Matlab Code Zero Forcing Algorithm For Ofdm
 - Fact-Checking eBook Content of Matlab Code Zero Forcing Algorithm For Ofdm

- Distinguishing Credible Sources
- 13. Promoting Lifelong Learning
 - Utilizing eBooks for Skill Development
 - Exploring Educational eBooks
- 14. Embracing eBook Trends
 - Integration of Multimedia Elements
 - Interactive and Gamified eBooks

Matlab Code Zero Forcing Algorithm For Ofdm Introduction

Free PDF Books and Manuals for Download: Unlocking Knowledge at Your Fingertips In today's fast-paced digital age, obtaining valuable knowledge has become easier than ever. Thanks to the internet, a vast array of books and manuals are now available for free download in PDF format. Whether you are a student, professional, or simply an avid reader, this treasure trove of downloadable resources offers a wealth of information, conveniently accessible anytime, anywhere. The advent of online libraries and platforms dedicated to sharing knowledge has revolutionized the way we consume information. No longer confined to physical libraries or bookstores, readers can now access an extensive collection of digital books and manuals with just a few clicks. These resources, available in PDF, Microsoft Word, and PowerPoint formats, cater to a wide range of interests, including literature, technology, science, history, and much more. One notable platform where you can explore and download free Matlab Code Zero Forcing Algorithm For Ofdm PDF books and manuals is the internet's largest free library. Hosted online, this catalog compiles a vast assortment of documents, making it a veritable goldmine of knowledge. With its easy-to-use website interface and customizable PDF generator, this platform offers a user-friendly experience, allowing individuals to effortlessly navigate and access the information they seek. The availability of free PDF books and manuals on this platform demonstrates its commitment to democratizing education and empowering individuals with the tools needed to succeed in their chosen fields. It allows anyone, regardless of their background or financial limitations, to expand their horizons and gain insights from experts in various disciplines. One of the most significant advantages of downloading PDF books and manuals lies in their portability. Unlike physical copies, digital books can be stored and carried on a single device, such as a tablet or smartphone, saving valuable space and weight. This convenience makes it possible for readers to have their entire library at their fingertips, whether they are commuting, traveling, or simply enjoying a lazy afternoon at home. Additionally, digital files are easily searchable, enabling readers to locate specific information within seconds. With a few keystrokes, users can search for keywords, topics, or phrases, making research and finding relevant information a breeze. This efficiency saves time and effort, streamlining the learning process and allowing

individuals to focus on extracting the information they need. Furthermore, the availability of free PDF books and manuals fosters a culture of continuous learning. By removing financial barriers, more people can access educational resources and pursue lifelong learning, contributing to personal growth and professional development. This democratization of knowledge promotes intellectual curiosity and empowers individuals to become lifelong learners, promoting progress and innovation in various fields. It is worth noting that while accessing free Matlab Code Zero Forcing Algorithm For Ofdm PDF books and manuals is convenient and cost-effective, it is vital to respect copyright laws and intellectual property rights. Platforms offering free downloads often operate within legal boundaries, ensuring that the materials they provide are either in the public domain or authorized for distribution. By adhering to copyright laws, users can enjoy the benefits of free access to knowledge while supporting the authors and publishers who make these resources available. In conclusion, the availability of Matlab Code Zero Forcing Algorithm For Ofdm free PDF books and manuals for download has revolutionized the way we access and consume knowledge. With just a few clicks, individuals can explore a vast collection of resources across different disciplines, all free of charge. This accessibility empowers individuals to become lifelong learners, contributing to personal growth, professional development, and the advancement of society as a whole. So why not unlock a world of knowledge today? Start exploring the vast sea of free PDF books and manuals waiting to be discovered right at your fingertips.

FAQs About Matlab Code Zero Forcing Algorithm For Ofdm Books

1. Where can I buy Matlab Code Zero Forcing Algorithm For Ofdm books? Bookstores: Physical bookstores like Barnes & Noble, Waterstones, and independent local stores. Online Retailers: Amazon, Book Depository, and various online bookstores offer a wide range of books in physical and digital formats.
2. What are the different book formats available? Hardcover: Sturdy and durable, usually more expensive. Paperback: Cheaper, lighter, and more portable than hardcovers. E-books: Digital books available for e-readers like Kindle or software like Apple Books, Kindle, and Google Play Books.
3. How do I choose a Matlab Code Zero Forcing Algorithm For Ofdm book to read? Genres: Consider the genre you enjoy (fiction, non-fiction, mystery, sci-fi, etc.). Recommendations: Ask friends, join book clubs, or explore online reviews and recommendations. Author: If you like a particular author, you might enjoy more of their work.
4. How do I take care of Matlab Code Zero Forcing Algorithm For Ofdm books? Storage: Keep them away from direct sunlight and in a dry environment. Handling: Avoid folding pages, use bookmarks, and handle them with clean hands. Cleaning: Gently dust the covers and pages occasionally.

5. Can I borrow books without buying them? Public Libraries: Local libraries offer a wide range of books for borrowing. Book Swaps: Community book exchanges or online platforms where people exchange books.
6. How can I track my reading progress or manage my book collection? Book Tracking Apps: Goodreads, LibraryThing, and Book Catalogue are popular apps for tracking your reading progress and managing book collections. Spreadsheets: You can create your own spreadsheet to track books read, ratings, and other details.
7. What are Matlab Code Zero Forcing Algorithm For Ofdm audiobooks, and where can I find them? Audiobooks: Audio recordings of books, perfect for listening while commuting or multitasking. Platforms: Audible, LibriVox, and Google Play Books offer a wide selection of audiobooks.
8. How do I support authors or the book industry? Buy Books: Purchase books from authors or independent bookstores. Reviews: Leave reviews on platforms like Goodreads or Amazon. Promotion: Share your favorite books on social media or recommend them to friends.
9. Are there book clubs or reading communities I can join? Local Clubs: Check for local book clubs in libraries or community centers. Online Communities: Platforms like Goodreads have virtual book clubs and discussion groups.
10. Can I read Matlab Code Zero Forcing Algorithm For Ofdm books for free? Public Domain Books: Many classic books are available for free as they're in the public domain. Free E-books: Some websites offer free e-books legally, like Project Gutenberg or Open Library.

Find Matlab Code Zero Forcing Algorithm For Ofdm :

[home tech tools for startups 32-2818 smart home tech trends United strategies for small business 32-834 minimalist lifestyle tips America](#)

TikTok marketing strategies for startups 32-2267 TikTok marketing tips

[startups 32-371 Instagram growth examples USA 32-2544 Instagram growth](#)

business 32-635 cybersecurity step by step America 32-2422 cybersecurity

startups 32-2574 blog monetization tips America 32-1319 blog

[United States 32-241 online privacy software for creators 32-2466 online](#)

[creators 32-7 personal finance tips for entrepreneurs 32-1508 personal](#)

[electric vehicles ideas for small business 32-1605 electric vehicles](#)

[States 32-445 mobile app ideas trends for creators 32-2894 mobile app](#)

[marketing for beginners for creators 32-2874 content marketing for](#)

monetization review USA 32-2059 blog monetization review USA 32-2218

growth review United States 32-1567 YouTube growth review for
ecommerce trends explained United States 32-1424 ecommerce trends
travel tools for startups 32-2066 budget travel trends United States

Matlab Code Zero Forcing Algorithm For Ofdm :

twilight original piano solo sheet music for piano solo - Aug 08 2023

web may 28 2021 download and print in pdf or midi free sheet music for twilight original piano solo arranged by grace shaw compositions thenightreader for piano solo

twilight movie piano sheet music musicnotes com - Jul 07 2023

web download sheet music for twilight movie choose from twilight movie sheet music for such popular songs as clair de lune bella s lullaby and brindisi libiamo ne lieti calici print instantly or sync to our free pc web and mobile apps

sheet music from twilight original soundtrack musicnotes com - Mar 03 2023

web download sheet music for twilight original soundtrack choose from twilight original soundtrack sheet music for such popular songs as bella s lullaby decode and supermassive black hole print instantly or sync to our free pc web and mobile apps

bella s lullaby piano tutorial easy twilight youtube - Jan 01 2023

web nov 30 2018 piano tutorial easy 644k subscribers 3 6m views 4 years ago movie tv series piano tutorial easy sheet music mnot es 2pwklkm learn piano with flowkey go flowkey com

a piano teacher writes thoughts on piano teaching and beyond - Jun 25 2022

web feb 13 2012 we would like to show you a description here but the site won t allow us

twilight soundtrack chords chordu - Sep 09 2023

web f m d a e chords for twilight soundtrack with key bpm and easy to follow letter notes in sheet play with guitar piano ukulele or any instrument you choose

twilight piano theme tutorial breaking dawn part 2 youtube - Mar 23 2022

web beginner try this new app m onelink me 611953f want to learn the piano here is the quickest and easiest way go flowkey com christiancheck o

bella s lullaby official twilight on piano chords chordu - Apr 23 2022

web a breathtaking piano piece jervy hou a c g d em chords for bella s lullaby official twilight on piano with key bpm and easy to follow letter notes in sheet play with guitar piano ukulele or any instrument you choose

twilight soundtrack bellas lullaby chords chordu - Oct 30 2022

web d c bb a am chords for twilight soundtrack bellas lullaby with key bpm and easy to follow letter notes in sheet play with guitar piano ukulele or any instrument you choose

the twilight saga twilight overture sheet music for piano solo - Oct 10 2023

web jul 14 2020 the twilight saga twilight overture sheet music for piano solo musescore com fall into savings get 90 off 05d 07h 13m 25s view offer 00 00 03 02 off 100 f d fall sale 90 off play the music you love without limits for just 7 99 0 77 week billed annually at 39 99 view official scores licensed from print music

free piano sheet music by twilight download and print pdf - May 25 2022

web youtube piano drag this button to your bookmarks bar from a youtube video click the bookmark to find it s sheet music browse the most popular twilight free piano sheet music print top quality pdf instantly

twilight bella s lullaby carter burwell easy piano tutorial - Apr 04 2023

web aug 15 2020 twilight bella s lullaby carter burwell easy piano tutorial learn piano with skoove skoove com a aid phianonize sheet musicnotes com l phianonize

chords for bella s lullaby twilight theme carter burwell piano - Sep 28 2022

web d gm bb c b chords for bella s lullaby twilight theme carter burwell piano tutorial by genper2009 with key bpm and easy to follow letter notes in sheet play with guitar piano ukulele or any instrument you choose

electric light orchestra twilight chords ultimate guitar - Feb 19 2022

web oct 4 2021 c bb c inside the image of your light fm c that now is day and once was night c csus4 link you lead me here and then you go away solo f g c f piano bridge part g g f it s

the 10 best twilight music to play on piano la touche musicale - Jun 06 2023

web in the romantic and neo classical genre river flows in you is one of the most beautiful piano songs from the twilight saga many amateur musicians who are fans of twilight would like to play it on piano the original music is not very easy to play for beginners

the twilight saga new moon roslyn chords ultimate guitar - Aug 28 2022

web sep 19 2022 chords fmaj7 c dm f am g strumming is this strumming pattern correct main pattern 160 bpm 1 2 3 4 5 6 7 8

misc soundtrack twilight bellas lullaby tab - Jul 27 2022

web dec 12 2016 by misc soundtrack carter burwell 179 848 views added to favorites 1 224 times capo no capo author nikkir25 a 61 1 contributor total last edit on dec 12 2016 view official tab we have an official twilight bellas lullaby tab made by ug professional guitarists check out the tab

[twilight edward cullen playing piano youtube](#) - May 05 2023

web jan 20 2016 you can subscribe to my other channel to support thanks for watching youtube com channel
uc4qu4ozifn4lf3knfdaw5sa

[twilight soundtrack chords chordify](#) - Feb 02 2023

web chords f m d a e chords for twilight soundtrack play along with guitar ukulele or piano with interactive chords and diagrams includes transpose capo hints changing speed and much more

twilight theme song piano tutorial youtube - Nov 30 2022

web sep 13 2014 how to play carter burwell bellas lullaby instrumental midi synthesisia hello friend you re on the youtube channel midies mus here is the largest colle

list of all employer claim forms that can be submitted on the - Dec 28 2022

web employer s report of injured employee s change in employment status resulting from injury no as soon as employment status of injured employee changes c 240 employer s statement of wage earnings no within 10 days of request by the board ph 16 2 pre hearing conference statement no

employer incident report workers compensation board of - Jul 23 2022

web may 5 2011 by completing this form you consent to receive e mail messages from the workers compensation board of manitoba you may unsubscribe at any time workers compensation board of manitoba 333 broadway winnipeg mb r3c 4w3 canada wcb wcb mb ca 1 855 954 4321

submit employer s payroll statement myaccount wcbask com - Aug 24 2022

web an employer s payroll statement eps is used to report your business s actual wages for the previous year and to provide an estimate for the upcoming year so that the wcb can assess your premiums for work injury coverage the eps must be received in our office by february 28 of each year

[privacy statement workers compensation board of manitoba](#) - Sep 24 2022

web the workers compensation board of manitoba is a mutual workplace injury and disability statutory corporation funded by employer premiums we are here to insure and support safe and healthy work and workplaces

[3 ways your workers comp recorded statement can trap you](#) - May 21 2022

web may 28 2018 if you are faced with giving a recorded statement to a workers comp insurance adjuster contact an experienced north carolina workers comp lawyer at the law offices of james scott farrin before saying anything you don t want to inadvertently damage your case before getting a professional evaluation contact us or call 1 866 900

[forms employer workers compensation board of manitoba](#) - May 01 2023

web by completing this form you consent to receive e mail messages from the workers compensation board of manitoba you

may unsubscribe at any time workers compensation board of manitoba 333 broadway winnipeg mb r3c 4w3 canada wcb wcb mb ca 1 855 954 4321

nys workers compensation board home page - Jun 02 2023

web employers businesses learn about employer coverage requirements for workers compensation disability and paid family leave as well as your rights and responsibilities in the claim process workers compensation disability benefits report injury illness

fast file eps myaccount wcb sask com - Apr 19 2022

web welcome to wcb online services by using our services you agree to our terms and conditions i agree to the terms and conditions begin employer s payroll statement

workers compensation board all common forms - Feb 27 2023

web employer s statement for the purpose of terminating status as a covered employer employer mail to workers compensation board bureau of compliance po box 5200 binghamton ny 13902 5200 when terminating status as a covered employer db 120 11 17 notice of compliance new york state disability benefits

online services myaccount wcb sask com - Mar 19 2022

web benefits of a basic wcb online account submit common forms securely transfer documents register a new business request additional access to a full wcb online account to submit forms invoices and expenses view claim information how to apply for a wcb online account create account

how to submit an employer s payroll statement wcb sask - Oct 26 2022

web how to submit an employer s payroll statement saskatchewan workers compensation board completing your online employer s payroll statement eps there are two methods you can use to submit your eps online fast file eps this service allows you to send your eps online without any special registration

employer s statement of wage earnings nys workers compensation board - Sep 05 2023

web employer s statement of wage earnings workers compensation board home online form submission employer s statement of wage earnings preceding the date of injury illness ec 240 state of new york workers compensation board this form may only be submitted electronically do not mail

employer s statement of wage earnings nys workers compensation board - Aug 04 2023

web employer s statement of wage earnings preceding the date of injury illness claim information all communication should include these numbers date of injury illness wcb case claim administrator claim carrier case injured worker information last name first name mi mailing address line 2 city state zip code

workers compensation board employer s statement - Nov 26 2022

web wcb ny gov page c 240 6 17 employer s statement of wage earnings preceding the date of injury illness claim information all communication should include these numbers wcb case claim administrator claim carrier case date of injury illness injured worker information first name last name mi mailing

annual assessment workplaceml - Jun 21 2022

web annual assessment your annual assessment or the amount you pay workplaceml each year for workplace injury and illness coverage for your workers is determined by your assessment rate and assessable payroll assessments are calculated based on assessment rates per 100 of assessable payroll

insurers workers compensation forms - Jan 29 2023

web employer s statement of wage earnings preceding date of accident employer workers compensation board within 10 days of request by the board c 251 11 22 ms excel insurer s request reimbursement of indemnity payments under wcl section 14 6 or section 15 8 insurance carrier board approved self insurer email completed form to

employer s payroll statement eps saskatchewan workers compensation - Oct 06 2023

web an employer s payroll statement eps is used to report your business s actual wages for the previous year and to provide an estimate for the upcoming year so that the wcb can assess your premiums for work injury coverage the eps must be received in our office by feb 28 of each year

employers disability benefits forms nys workers compensation board - Mar 31 2023

web employer s statement for the purpose of terminating status as a covered employer employer mail to workers compensation board bureau of compliance po box 5200 binghamton ny 13902 5200 when terminating status as a covered employer db 120 11 17 notice of compliance new york state disability benefits

employer resource centre saskatchewan workers compensation board - Jul 03 2023

web employer s payroll statement eps learn how to submit your employer s payroll statement eps when the wcb must receive your payroll statement each year and who is required to complete an eps each year

dwc homepage california department of industrial relations - Feb 15 2022

web labor commissioner s office wages breaks retaliation and labor laws 833 526 4636 division of workers compensation benefits for work related injuries and illnesses 1 800 736 7401 office of the director any other topic related to the department of industrial relations 844 522 6734

l aventure de l art au xxe sia cle brocha c download only - Jan 02 2022

web we provide l aventure de l art au xxe sia cle brocha c and numerous books collections from fictions to scientific research in any way accompanied by them is this l aventure de l art au xxe sia cle brocha c that can be your partner l aventure de l art au xxe sia cle brocha c downloaded from cybersmash io by guest jovani

l aventure de l art au xxe sia cle brocha c pdf 30 - Oct 31 2021

web l aventure de l art au xxe sia cle brocha c 1 l aventure de l art au xxe sia cle brocha c when people should go to the books stores search foundation by shop shelf by shelf it is in fact problematic this is why we give the ebook compilations in this website it will totally ease you to look guide l aventure de l art au xxe sia cle brocha c

l aventure de l art au xxe sia cle brocha c download only - Oct 23 2023

web l aventure de l art au xxe sia cle brocha c Études sur l art nov 01 2021 l art contemporain au viet nam mar 17 2023 françois marc gagnon et l art au québec jan 11 2020 dans cet ouvrage des spécialistes reconnus en art canadien rendent hommage à l historien de l art

l aventure de l art au xxe sia cle brocha c pdf uniport edu - Jun 07 2022

web l aventure de l art au xxe siècle jean louis ferrier 2009 l aventure de l art au xxe siècle présente année après année l ensemble des courants et techniques artistiques du xxe siècle de l artiste à l œuvre du contexte aux circonstances de la création tout y

[l aventure de l art au xxe sia cle brocha c pdf uniport edu](#) - Oct 11 2022

web aug 24 2023 l aventure de l art au xxe sia cle brocha c recognizing the showing off ways to acquire this book l aventure de l art au xxe sia cle brocha c is additionally useful you have remained in right site to begin getting this info get the l aventure de l art au xxe sia cle brocha c join that we allow here and check out the link

read free l aventure de l art au xxe sia cle brocha c - Nov 12 2022

web l aventure de l art au xxe sia cle brocha c the european way sep 02 2022 bringing together eight internationally known social historians from europe and israel the book reveals the commonalities that link european societies together la franche comté à la recherche de son territoire jan 26 2022 la prusse du duché au royaume sep 09 2020

l aventure de l art au xxe sia cle brocha c pdf - Mar 16 2023

web l aventure de l art au xxe sia cle brocha c art nouveau in fin de siècle france sep 14 2022 explores the shift in the locus of modernity in fin de siecle france from technological monument to private interior the text examines the political economic social intellectual and artistic factors specific to the french fin

l aventure peugeot avant l automobile 1810 1890 france bleu - Dec 01 2021

web 2 days ago ressorts moulins à café et ou encore machines à laver on visite le musée de l aventure peugeot avant l automobile avant de devenir le constructeur automobile que l on connait tous à

l aventure de l art au xxe sia cle brocha c copy - Jan 14 2023

web connaissance de l évolution morphologique et culturelle de l homme ces découvertes ont permis de construire un nouvel arbre généalogique de l humanité et grâce à l acquisition de nouvelles technologies au carrefour des sciences de la terre de

la vie et de l'homme de pénétrer dans la vie quotidienne des hommes de la préhistoire

[l'aventure de l'art au xxe siècle peinture de jean louis](#) - Apr 17 2023

web sep 14 1999 il a obtenu le prix vasari de l'essai en 1986 pour son ouvrage de picasso à guernica parmi ses autres œuvres citons les primitifs du xxe siècle et klee terrail et aux éditions du chêne l'aventure de l'art au xixe siècle qui a obtenu le prix elie faure et le prix de l'histoire de l'art de l'académie française

[l'aventure de l'art au xxe sia cle brocha c](#) - Sep 22 2023

web l'aventure de l'art au xxe sia cle brocha c pour une histoire culturelle de la diplomatie sep 11 2021 l'éducation face au défi de la globalisation entre local et global jan 04 2021 les banquiers centraux dans la construction européenne apr 18 2022 que peut le syndicalisme enseignant jul 10 2021

[l'aventure de l'art au xxe sia cle brocha c cambridge](#) - Jun 19 2023

web as this l'aventure de l'art au xxe sia cle brocha c it ends occurring physical one of the favored book l'aventure de l'art au xxe sia cle brocha c collections that we have this is why you remain in the best website to look the incredible ebook to have contributions to irish lexicography kuno meyer 1906

[l'aventure de l'art au xxe sia cle brocha c pdf](#) - Jul 20 2023

web art nouveau in fin de siècle france apr 10 2021 explores the shift in the locus of modernity in fin de siecle france from technological monument to private interior the text examines the political economic social intellectual and artistic factors specific to the french fin de siecle that interacted de l'art du fontenier sondeur et des *singapore art book fair 2022* - Apr 05 2022

web singapore art book fair 2022 29 april 1 may gallery 1 sam at tanjong pagar distripark 12 8pm the singapore art book fair sgabf is an independent annual multi day event celebrating contemporary art books and zines founded in 2013 it was the first of its kind in southeast asia and has now established itself as one of the leading

l'aventure de l'art au xxe sia cle brocha c download only - Feb 03 2022

web 4 l'aventure de l'art au xxe sia cle brocha c 2022 02 21 presents a sustained historical study of how this school was constituted by the paintings of a diverse group of artists by the combative field of art criticism and by the curatorial policies of galleries and state exhibitions

[l'aventure de l'art au xxe sia cle brocha c shaul shaked](#) - Dec 13 2022

web l'aventure de l'art au xxe sia cle brocha c is available in our digital library an online access to it is set as public so you can get it instantly our digital library saves in multiple locations allowing you to get the most less latency time to download any of our books like this one kindly say the l'aventure de l'art au xxe sia cle brocha

a story of singapore art artpodium - May 06 2022

web a composition by one of singapore s most influential pioneer watercolourists lim cheng hoe 1912 1979 the artist was known for his appropriation of traditional british watercolour style in his depictions of local landscapes while the first adhered strictly to the painting and literati traditions in early chinese culture the latter two

l aventure de l art au xxe siècle peinture sculpture architecture - May 18 2023

web il a obtenu le prix vasari de l essai en 1986 pour son ouvrage de picasso à guernica parmi ses autres œuvres citons les primitifs du xxe siècle et klee terrail et aux éditions du chêne l aventure de l art au xixe siècle qui a obtenu le prix elie faure et le prix de l histoire de l art de l académie française

l aventure de l art au xxe siècle broché amazon fr - Aug 21 2023

web l aventure de l art au xxe siècle présente année après année l ensemble des courants et techniques artistiques du xxe siècle de l artiste à l œuvre du contexte aux circonstances de la création tout y est expliqué dans des articles à la fois courts et accessibles

l aventure de l art au xxe siècle broché amazon fr - Feb 15 2023

web l aventure de l art au xxe siècle broché amazon fr le retour du poney landais les annonces landaises aug 04 2023 le retour du poney landais les annonces landaises livres actualités tout sur victor hugo actualité oct 26 2022 livres actualités tout sur victor hugo actualité l irak nouvelle clé de voûte friable de l économie

l aventure de l art au xxe siècle broché amazon fr admin store motogp - Jul 08 2022

web l aventure de l art au xixe siècle odile jacob gal ventura explores the ideological sources promoting maternal breast feeding in modern western society through a survey of hundreds of

l aventure de l art au xxe siècle broché amazon fr download only - Aug 09 2022

web 4 l aventure de l art au xxe siècle broché amazon fr 2021 10 27 a body by emanuele cocchia about the authors daria de beauvais is a curator at the palais de tokyo she curated laure prouvost s solo show karen archey is curator of contemporary art time based media at the stedelijk museum amsterdam

l aventure de l art au xxe siècle broché amazon fr 2023 - Mar 04 2022

web l aventure de l art au xxe siècle broché amazon fr 2 downloaded from careers schellgames com on 2022 07 13 by guest potential effects and applied to two corpora flaubert s madame bovary and six of the english translations and austen s emma with three of the french translations the results of the analyses are used to construct a

l aventure de l art au xxe siècle broché amazon fr download only - Sep 10 2022

web 2 l aventure de l art au xxe siècle broché amazon fr 2022 05 02 l aventure de l art au xxe siècle broché amazon fr download from textra com tw by guest aubrey chambers keep it moving éditions du chêne david galenson s work on the history of art is a unique fusion of econometrics and cultural analysis that is unprecedented in the literature on

