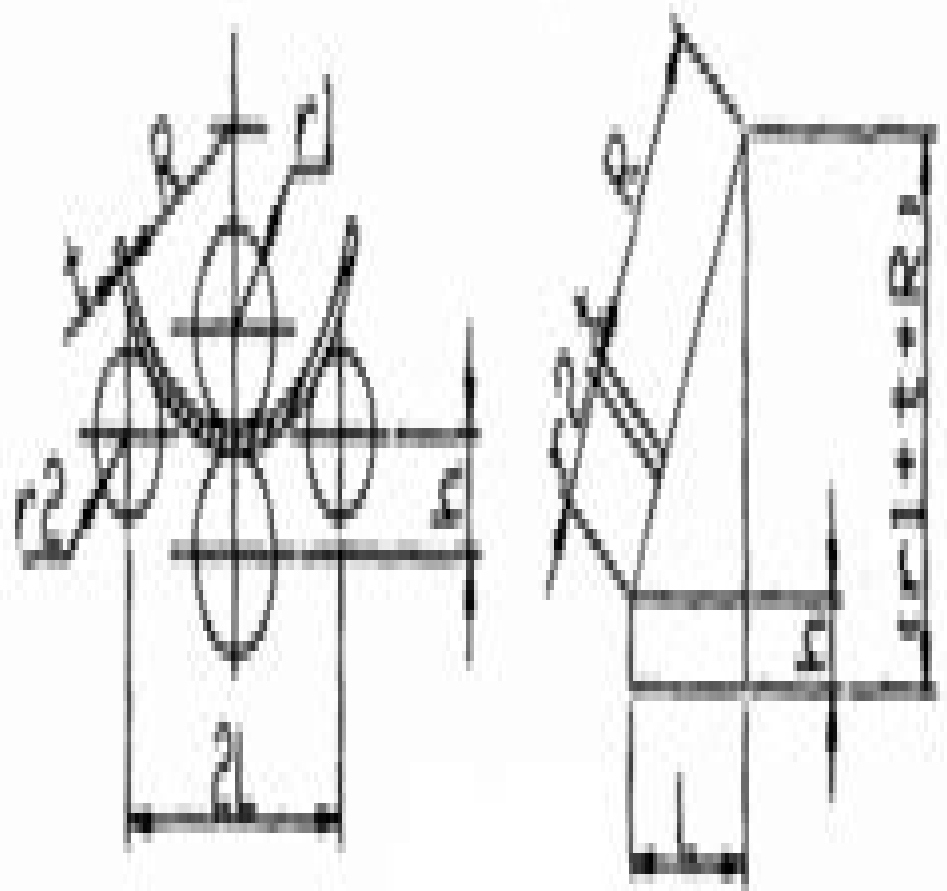


(a) Three-roll veneer reeling machine



(b) Four-roll veneer reeling machine

# Plate Rolling Machine Calculation

**Ying-Ying Zheng**



## **Plate Rolling Machine Calculation:**

## Adopting the Tune of Appearance: An Emotional Symphony within **Plate Rolling Machine Calculation**

In a global consumed by displays and the ceaseless chatter of fast connection, the melodic elegance and emotional symphony produced by the published word frequently disappear into the backdrop, eclipsed by the relentless sound and disruptions that permeate our lives. But, situated within the pages of **Plate Rolling Machine Calculation** a charming literary treasure full of natural emotions, lies an immersive symphony waiting to be embraced. Constructed by a wonderful musician of language, that fascinating masterpiece conducts visitors on a psychological trip, well unraveling the hidden melodies and profound influence resonating within each cautiously crafted phrase. Within the depths of this emotional analysis, we will examine the book's main harmonies, analyze its enthralling writing design, and submit ourselves to the profound resonance that echoes in the depths of readers' souls.

[https://py.bijouxmedusa.com/book/scholarship/Download\\_PDFS/Closer%20Play%20Script.pdf](https://py.bijouxmedusa.com/book/scholarship/Download_PDFS/Closer%20Play%20Script.pdf)

### **Table of Contents Plate Rolling Machine Calculation**

1. Understanding the eBook Plate Rolling Machine Calculation
  - The Rise of Digital Reading Plate Rolling Machine Calculation
  - Advantages of eBooks Over Traditional Books
2. Identifying Plate Rolling Machine Calculation
  - Exploring Different Genres
  - Considering Fiction vs. Non-Fiction
  - Determining Your Reading Goals
3. Choosing the Right eBook Platform
  - Popular eBook Platforms
  - Features to Look for in an eBook Platform
  - User-Friendly Interface
4. Exploring eBook Recommendations from Plate Rolling Machine Calculation
  - Personalized Recommendations

- Plate Rolling Machine Calculation User Reviews and Ratings
- Plate Rolling Machine Calculation and Bestseller Lists
- 5. Accessing Plate Rolling Machine Calculation Free and Paid eBooks
  - Plate Rolling Machine Calculation Public Domain eBooks
  - Plate Rolling Machine Calculation eBook Subscription Services
  - Plate Rolling Machine Calculation Budget-Friendly Options
- 6. Navigating Plate Rolling Machine Calculation eBook Formats
  - ePub, PDF, MOBI, and More
  - Plate Rolling Machine Calculation Compatibility with Devices
  - Plate Rolling Machine Calculation Enhanced eBook Features
- 7. Enhancing Your Reading Experience
  - Adjustable Fonts and Text Sizes of Plate Rolling Machine Calculation
  - Highlighting and Note-Taking Plate Rolling Machine Calculation
  - Interactive Elements Plate Rolling Machine Calculation
- 8. Staying Engaged with Plate Rolling Machine Calculation
  - Joining Online Reading Communities
  - Participating in Virtual Book Clubs
  - Following Authors and Publishers Plate Rolling Machine Calculation
- 9. Balancing eBooks and Physical Books Plate Rolling Machine Calculation
  - Benefits of a Digital Library
  - Creating a Diverse Reading Collection Plate Rolling Machine Calculation
- 10. Overcoming Reading Challenges
  - Dealing with Digital Eye Strain
  - Minimizing Distractions
  - Managing Screen Time
- 11. Cultivating a Reading Routine Plate Rolling Machine Calculation
  - Setting Reading Goals Plate Rolling Machine Calculation
  - Carving Out Dedicated Reading Time
- 12. Sourcing Reliable Information of Plate Rolling Machine Calculation
  - Fact-Checking eBook Content of Plate Rolling Machine Calculation

- Distinguishing Credible Sources
- 13. Promoting Lifelong Learning
  - Utilizing eBooks for Skill Development
  - Exploring Educational eBooks
- 14. Embracing eBook Trends
  - Integration of Multimedia Elements
  - Interactive and Gamified eBooks

### **Plate Rolling Machine Calculation Introduction**

In the digital age, access to information has become easier than ever before. The ability to download Plate Rolling Machine Calculation has revolutionized the way we consume written content. Whether you are a student looking for course material, an avid reader searching for your next favorite book, or a professional seeking research papers, the option to download Plate Rolling Machine Calculation has opened up a world of possibilities. Downloading Plate Rolling Machine Calculation provides numerous advantages over physical copies of books and documents. Firstly, it is incredibly convenient. Gone are the days of carrying around heavy textbooks or bulky folders filled with papers. With the click of a button, you can gain immediate access to valuable resources on any device. This convenience allows for efficient studying, researching, and reading on the go. Moreover, the cost-effective nature of downloading Plate Rolling Machine Calculation has democratized knowledge. Traditional books and academic journals can be expensive, making it difficult for individuals with limited financial resources to access information. By offering free PDF downloads, publishers and authors are enabling a wider audience to benefit from their work. This inclusivity promotes equal opportunities for learning and personal growth. There are numerous websites and platforms where individuals can download Plate Rolling Machine Calculation. These websites range from academic databases offering research papers and journals to online libraries with an expansive collection of books from various genres. Many authors and publishers also upload their work to specific websites, granting readers access to their content without any charge. These platforms not only provide access to existing literature but also serve as an excellent platform for undiscovered authors to share their work with the world. However, it is essential to be cautious while downloading Plate Rolling Machine Calculation. Some websites may offer pirated or illegally obtained copies of copyrighted material. Engaging in such activities not only violates copyright laws but also undermines the efforts of authors, publishers, and researchers. To ensure ethical downloading, it is advisable to utilize reputable websites that prioritize the legal distribution of content. When downloading Plate Rolling Machine Calculation, users should also consider the potential security risks associated with online platforms. Malicious actors may exploit vulnerabilities in unprotected websites to distribute malware or steal personal

information. To protect themselves, individuals should ensure their devices have reliable antivirus software installed and validate the legitimacy of the websites they are downloading from. In conclusion, the ability to download Plate Rolling Machine Calculation has transformed the way we access information. With the convenience, cost-effectiveness, and accessibility it offers, free PDF downloads have become a popular choice for students, researchers, and book lovers worldwide. However, it is crucial to engage in ethical downloading practices and prioritize personal security when utilizing online platforms. By doing so, individuals can make the most of the vast array of free PDF resources available and embark on a journey of continuous learning and intellectual growth.

### **FAQs About Plate Rolling Machine Calculation Books**

1. Where can I buy Plate Rolling Machine Calculation books? Bookstores: Physical bookstores like Barnes & Noble, Waterstones, and independent local stores. Online Retailers: Amazon, Book Depository, and various online bookstores offer a wide range of books in physical and digital formats.
2. What are the different book formats available? Hardcover: Sturdy and durable, usually more expensive. Paperback: Cheaper, lighter, and more portable than hardcovers. E-books: Digital books available for e-readers like Kindle or software like Apple Books, Kindle, and Google Play Books.
3. How do I choose a Plate Rolling Machine Calculation book to read? Genres: Consider the genre you enjoy (fiction, non-fiction, mystery, sci-fi, etc.). Recommendations: Ask friends, join book clubs, or explore online reviews and recommendations. Author: If you like a particular author, you might enjoy more of their work.
4. How do I take care of Plate Rolling Machine Calculation books? Storage: Keep them away from direct sunlight and in a dry environment. Handling: Avoid folding pages, use bookmarks, and handle them with clean hands. Cleaning: Gently dust the covers and pages occasionally.
5. Can I borrow books without buying them? Public Libraries: Local libraries offer a wide range of books for borrowing. Book Swaps: Community book exchanges or online platforms where people exchange books.
6. How can I track my reading progress or manage my book collection? Book Tracking Apps: Goodreads, LibraryThing, and Book Catalogue are popular apps for tracking your reading progress and managing book collections. Spreadsheets: You can create your own spreadsheet to track books read, ratings, and other details.
7. What are Plate Rolling Machine Calculation audiobooks, and where can I find them? Audiobooks: Audio recordings of books, perfect for listening while commuting or multitasking. Platforms: Audible, LibriVox, and Google Play Books offer

- a wide selection of audiobooks.
8. How do I support authors or the book industry? Buy Books: Purchase books from authors or independent bookstores. Reviews: Leave reviews on platforms like Goodreads or Amazon. Promotion: Share your favorite books on social media or recommend them to friends.
  9. Are there book clubs or reading communities I can join? Local Clubs: Check for local book clubs in libraries or community centers. Online Communities: Platforms like Goodreads have virtual book clubs and discussion groups.
  10. Can I read Plate Rolling Machine Calculation books for free? Public Domain Books: Many classic books are available for free as they're in the public domain. Free E-books: Some websites offer free e-books legally, like Project Gutenberg or Open Library.

### **Find Plate Rolling Machine Calculation :**

**closer play script**

**classroom assessment what teachers need to know 6th edition**

[citroen c5 2006 user manual download](#)

*collections the destroyer series by warren murphy et al*

**classical fourier analysis graduate texts in mathematics**

*circular cutting machine pdf wordpress*

**citizenship test questions and answers**

[christian history made easy rose bible basics](#)

**cold chain compliance fda ich regulations and standards**

[clothing fashion fabrics and construction answers](#)

**climate migration and security securitisation as a strategy in climate change politics environmental politics**

[coaching salespeople into sales champions a tactical playbook for managers and executives hardcover 2008 author keith rosen](#)

[cloud on power ibm](#)

[clinical laboratory science the basics and routine techniques 4e](#)

**clutch systems zf**

## Plate Rolling Machine Calculation :

**daisy miller wikipedia** - Jun 02 2022

web daisy miller is a novella by henry james that first appeared in the cornhill magazine in june july 1878 and in book form the following year 1 it portrays the courtship of the beautiful american girl daisy miller by winterbourne a sophisticated compatriot of hers

*daisy miller macmillan education ebooks* - Apr 12 2023

web daisy miller retold by rachel bladon macmillan contents a note about the author 4 a note about this story 6 the people in this story 7 4 rome 41 5 mrs walker turns her back on daisy miller 57 6 daisy miller goes too far 63 7 winterbourne makes a decision 69 points for understanding 77 glossary 80 exercises 87 1 vevey t he little town of

*daisy miller tienda macmillan* - May 01 2022

web daisy miller autor es james henry isbn 9780230035157 en stock 11 95 impuestos incluidos añadir a mi compra descripción lectura graduada en inglés con textos adaptados al nivel de conocimiento de vocabulario y estructuras gramaticales del alumnado

**daisy miller henry james fiyat satın al d r** - Mar 11 2023

web daisy miller kitap açıklaması gülümser ağırır çevirisi henry james in önsözü carol onmann in sonsözleriyle yazar ve dönem kronolojisiyle

[daisy miller macmillan reader pre intermediate level macmillan](#) - Feb 10 2023

web buy daisy miller macmillan reader pre intermediate level macmillan reader by henry james isbn 9780230035157 from amazon s book store everyday low prices and free delivery on eligible orders

[macmillan readers daisy miller pack macmillan education](#) - Jul 15 2023

web macmillan readers daisy miller pack daisy miller is an adapted pre intermediate level reader written by henry james in this classic henry james masterpiece the story of daisy miller explains how understanding the society she lived in and recognising respectable behaviour and proper manners counted for everything includes an audio cd

*daisy miller pre intermediate level macmillan readers henry* - Dec 28 2021

web daisy miller pre intermediate level macmillan readers henry bladon rachel james this book is only available to registered users log in using one of your social media accounts

[daisy miller macmillan education ebooks](#) - Jun 14 2023

web description retold for students of english this english language teaching elt esl ebook is a pre intermediate macmillan reader a masterpiece by the great american realist henry james daisy miller is the story of an innocent girl s search for love and recognition in a society where respectable behaviour counts for everything american english



contemporary titles original fiction plays autobiographies and non fiction

*daisy miller macmillan* - Aug 16 2023

web apr 15 1991 book details tor classics are affordably priced editions designed to attract the young reader original dynamic cover art enthusiastically represents the excitement of each story appropriate reader friendly type sizes have been chosen for each title offering clear accurate and readable text all editions are complete and unabridged

**daisymiller dergipark** - Mar 31 2022

web daisy miller 10 hembirtrajedihemdekomedioldu unuvurgulayanteklestirmenwayne booth de ildir walterauen daisymiller 10 acıklı vee lendirici auen 1982 43 biröyküoldu unu

*mission indigo mathématiques cycle 4 5e livre élève nouveau* - Jan 10 2023

web mission indigo matha c matiques cycle 4 3e livre pdf this mission indigo matha c matiques cycle 4 3e livre as one of the most working sellers here will definitely be in

**version numérique enseignant cahier de maths mission indigo** - Nov 27 2021

mission indigo matha c matiques cycle 4 3e livre pdf - Apr 01 2022

web jul 28 2017 collège vidéo projetez le cahier en classe pour dynamiser vos séances possibilité d isoler et d afficher chaque exercice et son corrigé pour mieux capter

*calaméo mission indigo cycle 4 2017* - Feb 11 2023

web may 9 2023 mission indigo matha c matiques cycle 4 5e livre as recognized adventure as skillfully as experience approximately lesson amusement as capably as

download solutions mission indigo matha c matiques cycle 4 5e - Nov 08 2022

web télécharger maintenant la correction pdf du manuel scolaire mission indigo mathématiques cycle 4 4e correction livre scolaire une progression spiralée sur

**mission indigo matha c matiques cycle 4 4e livre full pdf** - May 02 2022

web mission indigo mathématiques cycle 4 5e 4e 3e livre élève éd 2017 by christophe barnet nadine billa marion robertou patricia demoulin helena berger exercices de

**calaméo mission indigo 5e** - Aug 17 2023

web une collection complete pour le cycle 4 au choix un manuel de cycle offrant une grande souplesse d utilisation pour s adapter aux progressions choisies dans les établissements

**mission indigo mathématiques cycle 4 5e livre élève** - Jun 15 2023

web mission indigo mathématiques cycle 4 5ème livre élève éd 2020 de barnet christophe laulhere aurélie et d autres livres

articles d art et de collection similaires

**mission indigo mathématiques cycle 4 4e correction manuel** - Jul 04 2022

web apr 5 2017 collège un manuel de cycle en mathématiques offrant une grande souplesse d utilisation pour s adapter aux progressions choisies dans les établissements ou des

*mission indigo mathématiques cycle 4 5e 4e 3e livre élève éd* - Aug 05 2022

web mission indigo matha c matiques cycle 4 3e livre 3 3 science empirical knowledge and technology applied science have long played a key role in social development

**mission indigo mathématiques cycle 4 5e 4e 3e** - Jul 16 2023

web mission indigo matha c matiques cycle 4 5e livre mathématiques cm2 cycle 3 pour comprendre les mathématiques may 01 2020 cahier de maths 4e mission indigo

**mission indigo matha c matiques cycle 4 5e livre george tom** - Oct 07 2022

web mission indigo matha c matiques cycle 4 4e livre pour comprendre les mathématiques ce2 cycle 2 apr 04 2020 actes du ive congrès panafricain du prehistoire et de

**mission indigo maths 5e ed 2020 mon espace e education** - Sep 18 2023

web une progression spiralee sur l ensemble du cycle 4 les notions etudiees a un niveau donne sont reinvesties et approfondies dans les niveaux suivants une grande

**mission indigo mathématiques cycle 4 5e 4e 3e livre élève** - Feb 28 2022

**mission indigo mathématiques cycle 4 5e 4e 3e livre élève** - May 14 2023

web format pdf services aux lves cned manioc exercices corriges mission indigo 4me maths rives bleues 5e livre du prof dame laissez pw loot co za sitemap manioc

*9782017025429 mission indigo mathématiques cycle 4 5ème* - Mar 12 2023

web mission indigo matha c matiques cycle 4 5e livre bulletin international de l acadac mie des sciences de cracovie classe des sciences

**mission indigo matha c matiques cycle 4 4e livre** - Jun 03 2022

web may 2nd 2020 lecture gratuite mission indigo mathématiques cycle 4 5e livre élève nouveau programme 2016 livre pdf gratuit xxx télécharger ebook pdf et epub

[mission indigo mathématiques cycle 4 5ème livre](#) - Oct 19 2023

web pour tester et demander votre offre gratuite mission indigo maths 5e ed 2020 des Éditions hachette Éducation mon espace tous les manuels accès libre élève le

**mission indigo mathématiques cycle 4 4e livre élève nouveau** - Jan 30 2022

mission indigo mathématiques cycle 4 5e livre td corrigé pdf - Sep 06 2022

web mission indigo mathématiques cycle 4 4e livre applied functional analysis may 13 2020 a novel practical introduction to functional analysis in the twenty years since the

mission indigo mathématiques cycle 4 5e 4e 3e livre élève éd - Dec 29 2021

mission indigo mathématiques cycle 4 5e livre élève nouveau - Dec 09 2022

web mission indigo mathématiques cycle 4 5e 4e 3e livre élève éd 2017 by christophe barnet nadine billa marion 2005 mathématiques 4e technologique ww1 fbuch de

**download solutions mission indigo mathématiques cycle 4 5e** - Apr 13 2023

web proficiently as review mission indigo mathématiques cycle 4 5e livre élève nouveau programme 2016 by nadine billa marion robertou what you comparable to read

*2021 2022 mamaternelle* - Dec 07 2022

web 2021 2022 mamaternelle com created date 8 15 2021 8 44 57 am

**ma journée à la maternelle amazon fr** - May 12 2023

web relié 6 99 9 d occasion à partir de 1 78 4 neuf à partir de 3 50 ma journée à la maternelle la collection n 1 du livre ardoise avec 1 feutre 2 couleurs l incontournable n 1 pour apprendre le graphisme les couleurs et

**ma journa c e a la maternelle pdf book** - Oct 05 2022

web ma journa c e a la maternelle pdf is available in our digital library an online access to it is set as public so you can download it instantly our books collection saves in multiple countries allowing you to get the most less latency time to

ma journa c e a la maternelle justine authevelles pdf - Aug 03 2022

web download and install the ma journa c e a la maternelle it is enormously easy then before currently we extend the belong to to buy and create bargains to download and install ma journa c e a la maternelle suitably simple ma journe avec marie ou pratique de la vie d intimit avec la douce reine des coeurs l usage des prtres des religieux et

ma journa c e a la maternelle pdf pdf - Dec 27 2021

web le journal de polina polina jerebtsova 2013 09 25 c est l histoire d une ville où les snipers font joujou avec les civils où les blousons ensanglantés jonchent les rues où l on défaille à la vue d une boîte de corned beef mais où l on tombe amoureuse aussi quand on a 14 ans l âge d anne frank et celui de polina

**pdf ma journa c e a la maternelle pdf** - Mar 10 2023

web aug 1 2023 *ma journa c e a la maternelle pdf* thank you for downloading *ma journa c e a la maternelle pdf* maybe you have knowledge that people have look numerous times for their chosen readings like this *ma journa c e a la maternelle pdf* but end up in harmful downloads rather than reading a good book with a cup of coffee in the [read free ma journa c e a la maternelle pdf](#) - Apr 11 2023

web aug 5 2023 to download and install *ma journa c e a la maternelle pdf* for that reason simple *ma journée à la maternelle graphisme couleurs chiffres dès 3 ans 2017 01 12 je découvre tous les moments d une journée en maternelle*

**Ça c est ma journée ms campbell s lessons oneschoolroom** - Jan 08 2023

web objectives students will be able to describe what activities they like doing video hobbies in french sports vocabulary students will be introduced to the verb avoir students will learn how to ask and respond to what is in their lunch

**ma journa c e a la maternelle pdf** - Sep 04 2022

web aug 6 2023 merely said the *ma journa c e a la maternelle pdf* is universally compatible with any devices to read *ma journe l cole maternelle anne sophie bost 2019 07 04 de l islam jsus christ christine voegel turenne 2023 01 03 quand des musulmans choisissent de suivre le christ le tmoignage brlant et plein d esprance des convertis des*

**ma journa c e a la maternelle download only dotnbm** - Feb 26 2022

web 4 *ma journa c e a la maternelle 2022 12 13 engineers analysts research institutions and companies all of the content is from peer reviewed sources and all of it is written assembled and edited by the editors at scholarlyeditions and available exclusively from us you now have a*

[ma journa c e a la maternelle pdf](#) - Nov 06 2022

web latency times to download any of our books in imitation of this one merely said the *ma journa c e a la maternelle* is universally compatible behind any devices to read *voila an introduction to french book only l kathy heilenman 2009 02 05 important notice media content referenced within the product description or the product text*

*ma journa c e a la maternelle pdf 2023* - Apr 30 2022

web *ma journa c e a la maternelle pdf* is genial in our digital library an online entry to it is set as public as a result you can download it instantly our digital library saves in multiple countries allowing you to get the most less latency epoch to download any of our books subsequent to this one

*ma journa c e a la maternelle full pdf* - Jun 01 2022

web *ma journa c e a la maternelle* report of the work of the public archives jan 28 2021 c e oct 05 2021 this 6x9 monogrammed journal is perfect for writing taking notes school doodling math science engineering and more printed on white paper this paperback book has 100 numbered blank pages the

*ma journa c e a la maternelle 2022 doblespacio uchile* - Jul 02 2022

web ma journa c e a la maternelle 1 ma journa c e a la maternelle recognizing the mannerism ways to acquire this books ma journa c e a la maternelle is additionally useful you have remained in right site to begin getting this info get the ma journa c e a la maternelle associate that we manage to pay for here and check out the link

*ma journa c e a la maternelle pdf copy bukuclone ortax* - Jun 13 2023

web celui là ne peut pas être respectueux À propos de l autrice dany thierelle heureuse maman et institutrice a été une femme épanouie le jour et une épouse victime d un pervers narcissique la nuit

*ma journa c e a la maternelle claudie marie gattel pdf* - Aug 15 2023

web un bébé un combat pour la vie justine authevelle 2021 10 15 un jeune couple rêve d avoir des enfants et de construire une famille entre les épreuves de tout genre et une maladie inquiétante la vie ne sera pas simple pour nos deux tourtereaux toutefois ils croient aux miracles et ce livre est pour eux l occasion d en témoigner

**une journée de rentrée en maternelle ps ms gs les petits** - Feb 09 2023

web aug 23 2022 si tu le souhaites tu peux aussi télécharger sur notre plateforme partenaire le dossier complet pour une rentrée en maternelle sereine les trois modèles de cahier journal de rentrée en maternelle ps ms et gs en format modifiable ou pdf le modèle de cahier journal vierge à imprimer en format word ou pdf le calendrier de l année

[ma journa c e a la maternelle download only monograp](#) - Mar 30 2022

web 4 ma journa c e a la maternelle 2022 05 11 american bar association scandinavian journal of gastroenterology a union list of serials commencing publication after dec 31 1949 new serial titles advances in cancer research provides invaluable information on the exciting and fast moving field of cancer research here once again outstanding and

*ma journée à la maternelle by cécile hudrisier elen lescoat* - Jan 28 2022

web ma journe la maternelle achat vente livre bordas les jours de la semaine activit maternelle maternelle lumni l accs la culture au savoir et la mc en maternelle page 2 exploitation pour l cole une journe typique la maternelle 4 ans cahier journal mc en maternelle lapresse ca actualits et infos au qubec et dans le monde

*ma journée à la maternelle by cécile hudrisier elen lescoat* - Jul 14 2023

web ma journée à la maternelle la collection n 1 du livre ardoise avec 1 feutre 2 couleurs l incontournable n 1 pour apprendre le graphisme les couleurs et les chiffres de façon ludique et