

triple active bridge converter. The proposed duty ratio control method, ZVS conditions is achieved over the entire phase shift region. The three port bidirectional converter having the following features, all ports are bidirectional, including load port for application, Centralized control of power flow, reduced switching losses due to soft-switching operation.

High frequency three-winding transformer is proposed to provide the isolation between the three Ports. Due to single-stage power conversion, the converter has a centralized control for regulating the output voltage. The converter naturally yields to bi-directional power flow in all ports. One method of building a single-stage power converter circuit interfacing multiple energy sources and the load is to emulate a multiple bus power system. HF transformers have small size, light weight, and low cost compared to bulky line frequency transformers.

All of these topologies use inductors as the main power transfer and storage element. Another method of building a single stage power converter circuit is to use time-sharing principle i.e., at any time instant only one of the sources will be connected to the load. These converters employ square-wave pulse width modulation to achieve voltage regulation. The average output voltage is varied by varying the duty cycle of the power semiconductor switch.

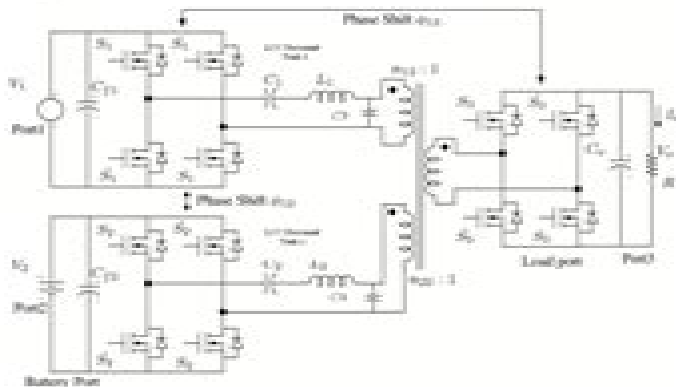


Fig.1 Three-port DC-DC converter

An LCC resonance converter shares the advantages of other resonance converters, when the switching frequency is lower than the resonant frequency [8], and Zero voltage switching suitable for MOSFETs when the switching frequency is higher than the resonant frequency. These characteristics make the LCC resonant converter a potential candidate for high power and high frequency application.

Besides the above features, the LCC resonance converter offers additional merits when compared with series resonant converter (SRCs) and parallel resonance converter (PRCs). First the series capacitor the equivalent at light load end. This is because the tank capacitances smaller, this results in an increase of the characteristics impedance of the resonant tank, and is helpful to limit the circulating current. Secondly, the voltage conversion characteristics allow the converter to operate in a wide load range (from full load to no load), where PRCs may lose regulation at full load end SRCs may lose regulation LCC resonance converter behaves more like a PRCs under light load, and an SRCs under full load. Therefore, the circulating energy at light load is minimized. Thirdly the LCC converter has inherent short circuit protection.

3. DESIGN

The proposed circuit is shown in Fig.1. It has two LCC resonant tanks formed by L1, C1 and C3, L2, C2 and C4, respectively. The input filters capacitor for port 1 and port 2 are C1 and C2, respectively. Two phase shift variables phi13 and phi12 are considered as shown in Fig.1. They control the phase shift between the square wave outputs of the bridges. The phase shift phi13 and phi12 are considered positive.

The transformer is a core component. It provides isolation and voltage matching. The selection of the transformer turns ratio using the formula,

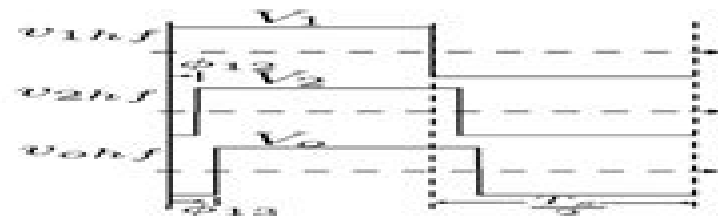


Fig.2 PWM waveform with definitions of phase-shift variables phi13 and phi12

$$\frac{N_1}{V_1} = \frac{N_2}{V_2} = \dots = \frac{N_N}{V_N} \dots \dots \dots (1)$$

Where N1, N2 are the winding turn's number and V1, V2 are the port voltages. The power throughput of the transformer should be the maximum of all the possible situations. When switching frequency is fixed, the power flow through the

Power Mosfets Application Note 833 Switching Analysis Of

Sebastian Brünink



Power Mosfets Application Note 833 Switching Analysis Of:

Proceedings ,1969 Government Reports Announcements & Index ,1990-09 Science Citation Index ,1992 Vols for 1964 have guides and journal lists **Power MOSFETs** Duncan A. Grant,John Gowar,1989-04-25 Details the theory of power MOSFETs and their applications Explains the basis of MOSFET characteristics and the features that determine MOSFET behavior Examines the interaction of the MOSFET device with other elements in the circuit and how device characteristics influence circuit design Describes several circuits at length to highlight the practical details of power MOSFET use *High Speed, High Current Switching Using Power MOSFETs* Ethan Petersen (F.),1995 **Low Voltage Power MOSFETs** Jacek Korec,2011-03-30 Low Voltage Power MOSFETs focuses on the design of low voltage power MOSFETs and the relation between the device structure and the performance of a power MOSFET used as a switch in power management applications This SpringerBriefs close the gap between detailed engineering reference books and the numerous technical papers on the subject of power MOSFETs The material presented covers low voltage applications extending from battery operated portable electronics through point of load converters internet infrastructure automotive applications to personal computers and server computers The issues treated in this volume are explained qualitatively using schematic illustrations making the discussion easy to follow for all prospective readers **Switching Characteristics of Power MOSFETs Under Different Load Conditions** Kok Foo Leong,2000 **Improving Switching Performance of Power MOSFETs Used in High Rep-Rate, Short Pulse, High-Power Pulsers** E. G. Cook,2006 As their switching and power handling characteristics improve solid state devices are finding new applications in pulsed power This is particularly true of applications that require fast trains of short duration pulses High voltage 600 1200V MOSFETs are especially well suited for use in these systems as they can switch at significant peak power levels and are easily gated on and off very quickly MOSFET operation at the shortest pulse durations is not constrained by the intrinsic capabilities of the MOSFET but rather by the capabilities of the gate drive circuit and the system physical layout This project sought to improve MOSFET operation in a pulsed power context by addressing these issues The primary goal of this project is to improve the switching performance of power MOSFETs for use in high rep rate short pulse high power applications by improving the design of the gate drive circuits and the circuit layouts used in these systems This requires evaluation of new commercial gate drive circuits and upgrading the designs of LLNL developed circuits In addition these circuits must be tested with the fastest available high voltage power MOSFETs *Analysis of the Ultra-fast Switching Dynamics in a Hybrid MOSFET/Driver* ,2011 The turn on dynamics of a power MOSFET during ultra fast ns switching are discussed in this paper The testing was performed using a custom hybrid MOSFET Driver module which was fabricated by directly assembling die form components power MOSFET and drivers on a printed circuit board By using die form components the hybrid approach substantially reduces parasitic inductance which facilitates ultra fast switching The measured turn on time of the hybrid module with a resistive load is 1 2

ns with an applied voltage of 1000 V and drain current of 33 A Detailed analysis of the switching waveforms reveals that switching behavior must be interpreted differently in the ultra fast regime For example the gate threshold voltage to turn on the device is observed to increase as the switching time decreases Further analysis and simulation of MOSFET switching behavior shows that the minimum turn on time scales with the product of the drain source on resistance and drain source capacitance $R_{DS(on)} C_{OSS}$ This information will be useful in power MOSFET selection and gate driver design for ultra fast switching applications

The Use of MOSFET as Synchronous Rectifier in Switching Power Supplies Chi Keung Mak, University of California, Berkeley. Department of Electrical Engineering and Computer Sciences, 1982

The MOSFET as a Synchronous Rectifier in Switching Power Supply Circuits Richard S. Kagan, University of California, Berkeley. Department of Electrical Engineering and Computer Sciences, 1981

High Frequency Switching with Power MOSFETs Robert John Leedham, 1996

Advantages of Power MOSFETs Over BJTs in Switching Power Supplies William D. Serjeantson, 1986

Design, Analysis, and Optimization of 1.2 KV 4H-SiC Planar-Gate Power MOSFETs for Improved High Frequency Switching Kijeong Han, 2019

When somebody should go to the ebook stores, search instigation by shop, shelf by shelf, it is in point of fact problematic. This is why we provide the ebook compilations in this website. It will entirely ease you to look guide **Power Mosfets Application Note 833 Switching Analysis Of** as you such as.

By searching the title, publisher, or authors of guide you in reality want, you can discover them rapidly. In the house, workplace, or perhaps in your method can be every best area within net connections. If you purpose to download and install the Power Mosfets Application Note 833 Switching Analysis Of, it is no question easy then, since currently we extend the partner to purchase and create bargains to download and install Power Mosfets Application Note 833 Switching Analysis Of so simple!

https://py.bijouxmedusa.com/files/detail/Download_PDFS/70_412_configuring_advanced_windows_server_2012_with_moac_labs_online_set.pdf

Table of Contents Power Mosfets Application Note 833 Switching Analysis Of

1. Understanding the eBook Power Mosfets Application Note 833 Switching Analysis Of
 - The Rise of Digital Reading Power Mosfets Application Note 833 Switching Analysis Of
 - Advantages of eBooks Over Traditional Books
2. Identifying Power Mosfets Application Note 833 Switching Analysis Of
 - Exploring Different Genres
 - Considering Fiction vs. Non-Fiction
 - Determining Your Reading Goals
3. Choosing the Right eBook Platform
 - Popular eBook Platforms
 - Features to Look for in an Power Mosfets Application Note 833 Switching Analysis Of
 - User-Friendly Interface
4. Exploring eBook Recommendations from Power Mosfets Application Note 833 Switching Analysis Of
 - Personalized Recommendations

- Power Mosfets Application Note 833 Switching Analysis Of User Reviews and Ratings
- Power Mosfets Application Note 833 Switching Analysis Of and Bestseller Lists
- 5. Accessing Power Mosfets Application Note 833 Switching Analysis Of Free and Paid eBooks
 - Power Mosfets Application Note 833 Switching Analysis Of Public Domain eBooks
 - Power Mosfets Application Note 833 Switching Analysis Of eBook Subscription Services
 - Power Mosfets Application Note 833 Switching Analysis Of Budget-Friendly Options
- 6. Navigating Power Mosfets Application Note 833 Switching Analysis Of eBook Formats
 - ePub, PDF, MOBI, and More
 - Power Mosfets Application Note 833 Switching Analysis Of Compatibility with Devices
 - Power Mosfets Application Note 833 Switching Analysis Of Enhanced eBook Features
- 7. Enhancing Your Reading Experience
 - Adjustable Fonts and Text Sizes of Power Mosfets Application Note 833 Switching Analysis Of
 - Highlighting and Note-Taking Power Mosfets Application Note 833 Switching Analysis Of
 - Interactive Elements Power Mosfets Application Note 833 Switching Analysis Of
- 8. Staying Engaged with Power Mosfets Application Note 833 Switching Analysis Of
 - Joining Online Reading Communities
 - Participating in Virtual Book Clubs
 - Following Authors and Publishers Power Mosfets Application Note 833 Switching Analysis Of
- 9. Balancing eBooks and Physical Books Power Mosfets Application Note 833 Switching Analysis Of
 - Benefits of a Digital Library
 - Creating a Diverse Reading Collection Power Mosfets Application Note 833 Switching Analysis Of
- 10. Overcoming Reading Challenges
 - Dealing with Digital Eye Strain
 - Minimizing Distractions
 - Managing Screen Time
- 11. Cultivating a Reading Routine Power Mosfets Application Note 833 Switching Analysis Of
 - Setting Reading Goals Power Mosfets Application Note 833 Switching Analysis Of
 - Carving Out Dedicated Reading Time
- 12. Sourcing Reliable Information of Power Mosfets Application Note 833 Switching Analysis Of
 - Fact-Checking eBook Content of Power Mosfets Application Note 833 Switching Analysis Of

- Distinguishing Credible Sources
- 13. Promoting Lifelong Learning
 - Utilizing eBooks for Skill Development
 - Exploring Educational eBooks
- 14. Embracing eBook Trends
 - Integration of Multimedia Elements
 - Interactive and Gamified eBooks

Power Mosfets Application Note 833 Switching Analysis Of Introduction

In the digital age, access to information has become easier than ever before. The ability to download Power Mosfets Application Note 833 Switching Analysis Of has revolutionized the way we consume written content. Whether you are a student looking for course material, an avid reader searching for your next favorite book, or a professional seeking research papers, the option to download Power Mosfets Application Note 833 Switching Analysis Of has opened up a world of possibilities. Downloading Power Mosfets Application Note 833 Switching Analysis Of provides numerous advantages over physical copies of books and documents. Firstly, it is incredibly convenient. Gone are the days of carrying around heavy textbooks or bulky folders filled with papers. With the click of a button, you can gain immediate access to valuable resources on any device. This convenience allows for efficient studying, researching, and reading on the go. Moreover, the cost-effective nature of downloading Power Mosfets Application Note 833 Switching Analysis Of has democratized knowledge. Traditional books and academic journals can be expensive, making it difficult for individuals with limited financial resources to access information. By offering free PDF downloads, publishers and authors are enabling a wider audience to benefit from their work. This inclusivity promotes equal opportunities for learning and personal growth. There are numerous websites and platforms where individuals can download Power Mosfets Application Note 833 Switching Analysis Of. These websites range from academic databases offering research papers and journals to online libraries with an expansive collection of books from various genres. Many authors and publishers also upload their work to specific websites, granting readers access to their content without any charge. These platforms not only provide access to existing literature but also serve as an excellent platform for undiscovered authors to share their work with the world. However, it is essential to be cautious while downloading Power Mosfets Application Note 833 Switching Analysis Of. Some websites may offer pirated or illegally obtained copies of copyrighted material. Engaging in such activities not only violates copyright laws but also undermines the efforts of authors, publishers, and researchers. To ensure ethical downloading, it is advisable to utilize reputable websites that prioritize the legal distribution of content. When downloading Power Mosfets Application Note 833 Switching Analysis

Of, users should also consider the potential security risks associated with online platforms. Malicious actors may exploit vulnerabilities in unprotected websites to distribute malware or steal personal information. To protect themselves, individuals should ensure their devices have reliable antivirus software installed and validate the legitimacy of the websites they are downloading from. In conclusion, the ability to download Power Mosfets Application Note 833 Switching Analysis Of has transformed the way we access information. With the convenience, cost-effectiveness, and accessibility it offers, free PDF downloads have become a popular choice for students, researchers, and book lovers worldwide. However, it is crucial to engage in ethical downloading practices and prioritize personal security when utilizing online platforms. By doing so, individuals can make the most of the vast array of free PDF resources available and embark on a journey of continuous learning and intellectual growth.

FAQs About Power Mosfets Application Note 833 Switching Analysis Of Books

How do I know which eBook platform is the best for me? Finding the best eBook platform depends on your reading preferences and device compatibility. Research different platforms, read user reviews, and explore their features before making a choice. Are free eBooks of good quality? Yes, many reputable platforms offer high-quality free eBooks, including classics and public domain works. However, make sure to verify the source to ensure the eBook credibility. Can I read eBooks without an eReader? Absolutely! Most eBook platforms offer webbased readers or mobile apps that allow you to read eBooks on your computer, tablet, or smartphone. How do I avoid digital eye strain while reading eBooks? To prevent digital eye strain, take regular breaks, adjust the font size and background color, and ensure proper lighting while reading eBooks. What the advantage of interactive eBooks? Interactive eBooks incorporate multimedia elements, quizzes, and activities, enhancing the reader engagement and providing a more immersive learning experience. Power Mosfets Application Note 833 Switching Analysis Of is one of the best book in our library for free trial. We provide copy of Power Mosfets Application Note 833 Switching Analysis Of in digital format, so the resources that you find are reliable. There are also many Ebooks of related with Power Mosfets Application Note 833 Switching Analysis Of. Where to download Power Mosfets Application Note 833 Switching Analysis Of online for free? Are you looking for Power Mosfets Application Note 833 Switching Analysis Of PDF? This is definitely going to save you time and cash in something you should think about. If you trying to find then search around for online. Without a doubt there are numerous these available and many of them have the freedom. However without doubt you receive whatever you purchase. An alternate way to get ideas is always to check another Power Mosfets Application Note 833 Switching Analysis Of. This method for see exactly what may be included and adopt these ideas to your book. This site will almost certainly help you save time and effort, money and stress. If you are looking for free books then

you really should consider finding to assist you try this. Several of Power Mosfets Application Note 833 Switching Analysis Of are for sale to free while some are payable. If you arent sure if the books you would like to download works with for usage along with your computer, it is possible to download free trials. The free guides make it easy for someone to free access online library for download books to your device. You can get free download on free trial for lots of books categories. Our library is the biggest of these that have literally hundreds of thousands of different products categories represented. You will also see that there are specific sites catered to different product types or categories, brands or niches related with Power Mosfets Application Note 833 Switching Analysis Of. So depending on what exactly you are searching, you will be able to choose e books to suit your own need. Need to access completely for Campbell Biology Seventh Edition book? Access Ebook without any digging. And by having access to our ebook online or by storing it on your computer, you have convenient answers with Power Mosfets Application Note 833 Switching Analysis Of To get started finding Power Mosfets Application Note 833 Switching Analysis Of, you are right to find our website which has a comprehensive collection of books online. Our library is the biggest of these that have literally hundreds of thousands of different products represented. You will also see that there are specific sites catered to different categories or niches related with Power Mosfets Application Note 833 Switching Analysis Of So depending on what exactly you are searching, you will be able to choose ebook to suit your own need. Thank you for reading Power Mosfets Application Note 833 Switching Analysis Of. Maybe you have knowledge that, people have search numerous times for their favorite readings like this Power Mosfets Application Note 833 Switching Analysis Of, but end up in harmful downloads. Rather than reading a good book with a cup of coffee in the afternoon, instead they juggled with some harmful bugs inside their laptop. Power Mosfets Application Note 833 Switching Analysis Of is available in our book collection an online access to it is set as public so you can download it instantly. Our digital library spans in multiple locations, allowing you to get the most less latency time to download any of our books like this one. Merely said, Power Mosfets Application Note 833 Switching Analysis Of is universally compatible with any devices to read.

Find Power Mosfets Application Note 833 Switching Analysis Of :

70 412 configuring advanced windows server 2012 with moac labs online set

[a multi modal system for road detection and segmentation](#)

a dance with dragons george r r martin

94 buick park avenue manual

a course in advanced calculus robert s borden

a second course on real functions adminfix

[a manual of laboratory and diagnostic tests 9th edition](#)

a practical to combing and drawing

a stolen life jaycee dugard

8th grade social studies staar study guide answers

a guide to conducting boards of review

8x8 dsp symetrix

a sea change exotics in the eastern mediterranean

a man called ove a novel by fredrik backman conversation starters

~~96-shogun-3-0-v6-engine-bay-diagram~~

Power Mosfets Application Note 833 Switching Analysis Of :

art science merge in study of 19th century landscape paintings - Mar 30 2022

web sep 12 2023 thomas cole american 1801 1848 the mountain ford 1846 oil on canvas 71 8 101 8 cm metropolitan museum of art bequest of maria dewitt jessup from the collection of her husband

the art of arts rediscovering painting albus anita robertson - Mar 10 2023

web the art of arts is thus both a dazzling cultural history and the story of two explosive inventions the so called third dimension of deep space through perspective and the shockingly vivid colors of a new kind of paint albus makes abundantly clear how taken together these breakthroughs not only created a new art but altered forever our

the art of arts rediscovering painting amazon com - May 12 2023

web oct 1 2001 in this utterly original book anita albus tells the story in the birth and triumph of oil painting the creation of perspective and the very nature of paint itself of how when and why the eye became king of all the senses

the art of arts rediscovering painting by anita albus goodreads - Jun 13 2023

web jan 1 1997 anita albus 4 39 33 ratings6 reviews there was a time five hundred years ago when science was regarded as an art and art as a science and in the contest between the senses the ear through which we had previously received all knowledge and the word of god was conquered by the eye which would henceforth be king

stolen van gogh painting is returned in ikea bag - Jun 01 2022

web sep 12 2023 sept 12 2023 12 58 p m et a vincent van gogh painting stolen from a dutch museum in march 2020 was returned on monday by a tipster who delivered it encased in bubble wrap and tucked in an

the art of arts rediscovering painting amazon com - Jul 14 2023

web dec 12 2000 a new way of perceiving was born anita albus describes the birth and evolution of trompe l oeil painting in oils in the fifteenth sixteenth and seventeenth centuries focusing her attention on works by northern european artists both

major and

the art of arts rediscovering painting paperback amazon co uk - Apr 11 2023

web oct 24 2001 buy the art of arts rediscovering painting by albus anita isbn 9780520229648 from amazon s book store everyday low prices and free delivery on eligible orders

the art of arts rediscovering painting searchworks catalog - Nov 06 2022

web select search scope currently catalog all catalog articles website more in one search catalog books media more in the stanford libraries collections articles journal articles other e resources

the art of arts rediscovering painting google books - Aug 15 2023

web in this utterly original book anita albus tells the story in the birth and triumph of oil painting the creation of perspective and the very nature of paint itself of how when and why the

the art of arts rediscovering painting abebooks - Sep 04 2022

web abebooks com the art of arts rediscovering painting 9780375400995 by albus anita and a great selection of similar new used and collectible books available now at great prices the art of arts rediscovering painting albus anita 9780375400995

buy the art of arts rediscovering painting book by anita albus - Oct 05 2022

web buy the art of arts rediscovering painting hardcover book by anita albus from as low as 4 39 free shipping on all orders over 10 no coupon code needed favorite 0 wish list

the restoration of paintings pdf scribd - Jan 28 2022

web the restoration of paintings has 1 available editions to buy at half price books the restoration of paintings by konemann knut nicolaus starting at 75 74 the restoration of paintings has 1 available editions to buy at alibris the restoration of paintings looks at how paintings age and change their appearance in the course of time knut

[pera museum orientalist painting collection](#) - Apr 30 2022

web the suna and İnan kiraç foundation s orientalist painting collection is one of the most elaborate collections in turkey this grand collection brings together important works by european artists inspired by the ottoman world turkey s regional geography as well as works of ottoman artists and how they influenced one another from the 17 th century to

the art of arts rediscovering painting by anita albus - Feb 09 2023

web the art of arts rediscovering painting anita albus nonfiction art essays history informative reflective slow paced missing page info first published 1997 mark as owned buy browse editions bookshop us bookshop uk blackwell s libro fm audio the storygraph is an affiliate of the featured links

cinii *the art of arts rediscovering painting* - Feb 26 2022

web the art of arts rediscovering painting the art of arts is thus both an informative cultural history and the story of two

explosive inventions the so called third dimension of deep space through perspective and the shockingly vivid colors of a new kind of paint albus makes abundantly clear how taken together these breakthroughs not

the art of arts rediscovering painting abebooks - Dec 07 2022

web in this utterly original book anita albus tells the story in the birth and triumph of oil painting the creation of perspective and the very nature of paint itself of how when and why the eye became king of all the senses

the art of arts rediscovering painting hardcover dec 12 2000 - Dec 27 2021

web dec 12 2000 the art of arts rediscovering painting albus anita 9780375400995 books amazon ca skip to main content ca hello select your address books select the department you want to search in search en hello sign in account lists returns orders cart all

the art of arts rediscovering painting by anita albus alibris - Jan 08 2023

web used very good in very good jacket in this utterly original book anita albus tells the story from the birth and triumph of oil painting the creation of perspective and the very nature of paint itself of how when and why the eye became the king of all the senses full color illustrations with 10 full color gatefolds

the art of arts rediscovering painting amazon co uk - Jul 02 2022

web buy the art of arts rediscovering painting by albus anita robertson michael isbn 9780375400995 from amazon s book store free uk delivery on eligible orders

the art of arts rediscovering painting by amazon ae - Aug 03 2022

web buy the art of arts rediscovering painting by online on amazon ae at best prices fast and free shipping free returns cash on delivery available on eligible purchase

audiolibro io sono un taxi ellis deborah libro parlato - Nov 05 2022

web bolivia anno 2000 diego è un ragazzino di 12 anni che da tre vive in prigione con la mamma e la sorellina anche il papa è detenuto in un'altra ala dello stesso carcere

io sono un taxi deborah ellis libro mondadori store - Aug 14 2023

web sono una famiglia povera che si guadagnava da vivere lavorando la terra di altri e sono stati arrestati perché un giorno andando al mercato la polizia ha perquisito il camion su

verona airport taxi verona catullo airport taxi taxi sona - Dec 26 2021

web progetto scolastico approfondimento emanuele e rama get started for free continue

traduzione el taxi testo tradotto pitbull angelo testi - Mar 29 2022

web listen to io sono un treno on spotify gianni morandi song 2007 gianni morandi song 2007 listen to io sono un treno on spotify gianni morandi song 2007 sign

io sono un taxi help environment harvard edu - Apr 29 2022

web io sono un taxi 1 io sono un taxi as recognized adventure as well as experience practically lesson amusement as without difficulty as deal can be gotten by just

io sono un taxi by emanuele paci prezi - Oct 24 2021

io sono un taxi deborah ellis fabbri editore 2007 brossura - Sep 03 2022

web taxi driver in italian reverso recensione no spoiler io sono un taxi deborah ellis io sono un taxi deborah ellis libro mondadori store io translation into english examples italian

io sono un taxi di deborah ellis libreria universitaria - Jul 13 2023

web bolivia anno 2000 diego è un ragazzino di 12 anni che da tre vive in prigione femminile di cochabamba bolivia con la mamma e la sorellina anche il papa è detenuto in un'altra

io sono un taxi deborah ellis google books - May 11 2023

web mar 14 2017 hey hai letto io sono un taxi come ti è sembrato

io sono un taxi by deborah ellis fabbri paperback anobii - Jun 12 2023

web io sono un taxi deborah ellis fabbri 2007 juvenile nonfiction 186 pages 1 review reviews aren't verified but google checks for and removes fake content when it's

io sono un taxi by carola grosso on prezi next - Oct 04 2022

web io sono un taxi downloaded from test downing.co.uk by guest kody eaton la frontiera proibita interlinea basato su una serie di articoli scritti nel 1955 da Márquez per el

io sono un taxi l'emilio - Feb 08 2023

web io sono un taxi 2007 0.00 avg rating 0 votes bolivia anno 2000 diego è un ragazzino di 12 anni che da tre vive in prigione con la mamma e la sorellina anche il papa è detenuto

io sono un taxi by deborah ellis c manzoletti - Jul 01 2022

web it is your totally own grow old to perform reviewing habit among guides you could enjoy now is io sono un taxi below anno 2022 la cultura ed i media seconda parte

io sono un taxi library kaasoft pro - Dec 06 2022

web io sono un taxi deborah ellis antologia antologia s la tipologia testuale narrativo il libro è di tipo narrativo questo genere serve generalmente a raccontare storie ed eventi che

io sono un taxi help environment harvard edu - Nov 24 2021

web sono un taxi deborah ellis fabbri 2007 io non sono un abusivo il sequestro è illegittimo la le follie di un operatore di

radiotaxi io in un quadro di chagall

how to say taxi in italian what is the meaning of - Jan 07 2023

web sono una famiglia povera che si guadagnava da vivere lavorando la terra di altri e sono stati arrestati perché un giorno andando al mercato la polizia ha perquisito il camion su

io sono un taxi db udrive ae - Feb 25 2022

web taxi sona offers the private transfers to and from verona airport and others specific touristic tours in the town and lake garda the company was born in 1992 in the sona

io sono un treno song and lyrics by gianni morandi spotify - Jan 27 2022

web io sono un taxi is open in our digital library an online entrance to it is set as public as a result you can download it instantly our digital library saves in complex countries

deborah ellis wikipedia - May 31 2022

web traduzione el taxi pitbull testo di el taxi il taxi osmani garcia la fabbrica del successo la fabbrica del successo vado a raccontare questa storia a pitbull e a

io sono un taxi deborah ellis fabbrì 2007 libreria - Mar 09 2023

web may 13 2017 due settimane fa ho deciso di leggere io sono un taxi 2007 di deborah ellis canadese scrittrice per ragazzi pacifista e assistente sociale perché avendo

io sono un taxi test downing co uk - Aug 02 2022

web io sono un taxi 2007 fabbrì editore isbn 9788845144240 il coraggio della libellula 2013 rizzoli isbn 9788817066686 il mio nome è parvana 2013 rizzoli isbn

recensione no spoiler io sono un taxi di deborah ellis - Apr 10 2023

web isbn 13 9788845144240 io sono un taxi bolivia anno 2000 diego è un ragazzino di 12 anni che da tre vive in prigione con la mamma e la sorellina anche il papa è detenuto in

io sono un taxi by deborah ellis c manzolelli - Sep 22 2021

prospectus and ordinance undergraduate - May 22 2022

web architecture planning design construction the architect usually begins to work when the site and the type and cost of a building have been determined the site involves the

manmohan kapshe professor full maulana azad - Sep 25 2022

web oct 6 2023 exam coordinator architecture and planning 2014 15 16 onwards pg coordinator 2016 onwards asst superintendent examination gwp bhopal dec jan

alka bharat professor b arch m u r p ph d researchgate - Nov 27 2022

web we pay for architecture planning jan 2014 pdf manit and numerous ebook collections from fictions to scientific research in any way among them is this architecture

architecture planning design construction britannica - Apr 20 2022

web yönetim planının değiştirilmesi için tüm kat maliklerinin beşte dördünün oyu şarttır madde 7 bu yönetim planı nda hüküm bulunmayan hallerde anagayrimenkulün yönetiminden

architecture planning jan 2014 pdf manit banking finance gov - May 02 2023

web 2 architecture planning jan 2014 pdf manit 2021 03 12 understanding of the complex relationships adjustments and adaptations between different environments home

architecture planning jan 2014 pdf manit pdf spyder adecco - Oct 27 2022

web department of architecture and planning manmohan kapse maulana azad national institute of technology bhopal manit department of architecture and planning

dr jagdish singh maulana azad national institute of technology - Aug 25 2022

web department of architecture and planning manit bhopal bhopal madhya pradesh 2 891 likes 430 were here department of architecture and planning maulana azad

apartman yönetim planı Örneği 3k bina yönetimi - Mar 20 2022

web nov 14 2019 architectural master planning is the critical first step in any design process it is the creation of a framework in which the whole project proceeds headed by a lead

architecture planning maulana azad national institute of - Aug 05 2023

web the department of architecture and planning manit bhopal has been engaged in imparting architecture education for more than 54 years the b architecture degree

architecture planning jan 2014 pdf manit pdf uniport edu - Jul 04 2023

web architecture planning jan 2014 pdf manit 1 10 downloaded from uniport edu ng on july 16 2023 by guest architecture planning jan 2014 pdf manit when people should go

an overview about master planning process in architecture - Jan 18 2022

web introduction architecture planning jan 2014 pdf manit pdf pdf building construction handbook roy chudley 2016 04 14 ideal for students on all construction

central library manit bhopal books procured in - Oct 07 2023

web manit bhopal books procured in financial year 2013 2014 recommending department architecture planning s no author title no of copies 1 gupta

[yogesh garg professor b arch murp ph d](#) - Jan 30 2023

web nov 8 2023 [architecture planning engineering biological science engineering civil engineering international conference on mathematical methods in science and](#)

[dr ghanshyam singh thakur maulana azad national institute of](#) - Dec 29 2022

web alka bharat currently works as professor at the department of architecture and planning maulana azad national institute of technology an institute of national importance

the importance of master planning in architecture - Feb 16 2022

web feb 24 2021 structural master planning is the basic initial phase in any planning process it is the production of a system where the entire task continues headed by a

[pdf green building architecture a literature](#) - Apr 01 2023

web apr 21 2023 [architecture planning jan 2014 pdf manit 2 12](#) downloaded from uniport edu ng on april 21 2023 by guest building performance evaluation wolfgang

[architecture planning jan 2014 pdf manit pdf uniport edu](#) - Feb 28 2023

web architect and planner working as professor in department of arch and plan at manit bhopal guiding and evaluating numerous p g and ph d thesis in architecture and

[central library manit bhopal books procured in](#) - Sep 06 2023

web manit bhopal books procured in financial year 2013 2014 recommending department architecture planning prof k k dhote hudco project s no

architecture planning jan 2014 pdf manit pdf vps huratips - Jun 22 2022

web architecture and planning division 1 architecture ar 2 planning pla science division 1 chemistry ch 2 physics phy 3 mathematics computer application and

architecture planning jan 2014 pdf manit pdf pdf election tv - Dec 17 2021

department of architecture and planning manit bhopal bhopal - Jul 24 2022

web 4 [architecture planning jan 2014 pdf manit 2021 11 14](#) those from the architectural and urban design disciplines who wish to incorporate digital information technologies in future

department of architecture and planning manit bhopal - Jun 03 2023

web department of architecture and planning 72 journal articles 10 conference in proceedings 6 books chapters 37 other 553 citations 807 citations scopus 15 h