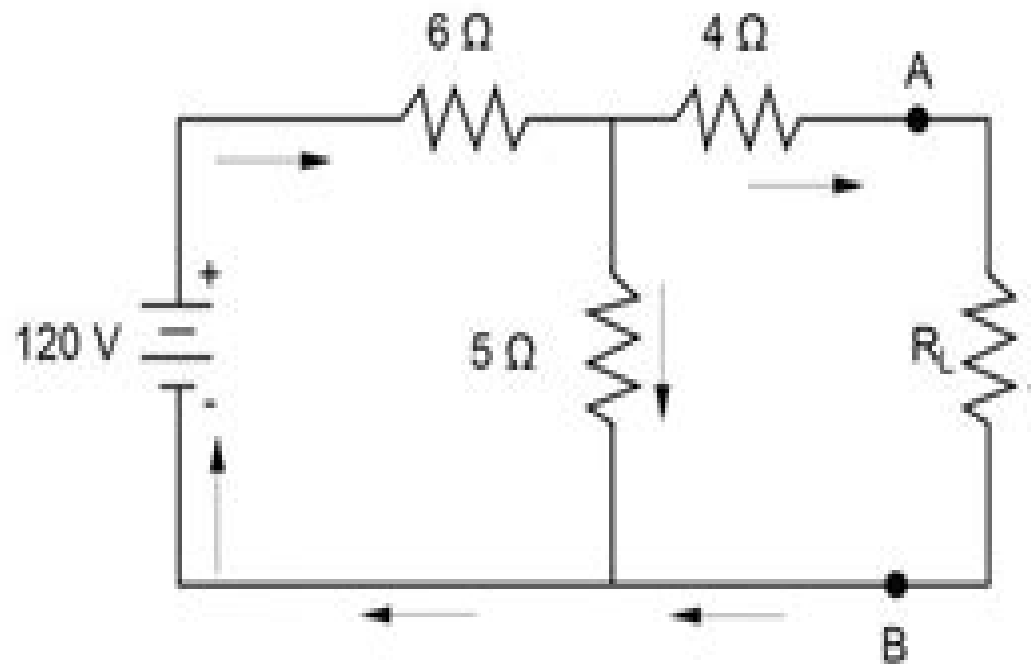


Find the Thevenin equivalent voltage and resistance for the following circuit. The load resistance is shown as R_L .



- (a) $V_{TH} = 45.5 \text{ V}; R_{TH} = 6.7 \Omega$
- (b) $V_{TH} = 54.5 \text{ V}; R_{TH} = 6.7 \Omega$
- (c) $V_{TH} = 45.4 \text{ V}; R_{TH} = 9 \Omega$
- (d) $V_{TH} = 54.5 \text{ V}; R_{TH} = 9 \Omega$

Circuit Analysis Practice Exam

John Franklin Genung



Circuit Analysis Practice Exam:

The Enigmatic Realm of **Circuit Analysis Practice Exam**: Unleashing the Language is Inner Magic

In a fast-paced digital era where connections and knowledge intertwine, the enigmatic realm of language reveals its inherent magic. Its capacity to stir emotions, ignite contemplation, and catalyze profound transformations is nothing lacking extraordinary. Within the captivating pages of **Circuit Analysis Practice Exam** a literary masterpiece penned by way of a renowned author, readers embark on a transformative journey, unlocking the secrets and untapped potential embedded within each word. In this evaluation, we shall explore the book's core themes, assess its distinct writing style, and delve into its lasting impact on the hearts and minds of those who partake in its reading experience.

<https://py.bijouxmedusa.com/results/Resources/index.jsp/solutions%20for%20calculus%20early%20transcendentals%206e.pdf>

Table of Contents Circuit Analysis Practice Exam

1. Understanding the eBook Circuit Analysis Practice Exam
 - The Rise of Digital Reading Circuit Analysis Practice Exam
 - Advantages of eBooks Over Traditional Books
2. Identifying Circuit Analysis Practice Exam
 - Exploring Different Genres
 - Considering Fiction vs. Non-Fiction
 - Determining Your Reading Goals
3. Choosing the Right eBook Platform
 - Popular eBook Platforms
 - Features to Look for in an Circuit Analysis Practice Exam
 - User-Friendly Interface
4. Exploring eBook Recommendations from Circuit Analysis Practice Exam
 - Personalized Recommendations
 - Circuit Analysis Practice Exam User Reviews and Ratings

- Circuit Analysis Practice Exam and Bestseller Lists
- 5. Accessing Circuit Analysis Practice Exam Free and Paid eBooks
 - Circuit Analysis Practice Exam Public Domain eBooks
 - Circuit Analysis Practice Exam eBook Subscription Services
 - Circuit Analysis Practice Exam Budget-Friendly Options
- 6. Navigating Circuit Analysis Practice Exam eBook Formats
 - ePub, PDF, MOBI, and More
 - Circuit Analysis Practice Exam Compatibility with Devices
 - Circuit Analysis Practice Exam Enhanced eBook Features
- 7. Enhancing Your Reading Experience
 - Adjustable Fonts and Text Sizes of Circuit Analysis Practice Exam
 - Highlighting and Note-Taking Circuit Analysis Practice Exam
 - Interactive Elements Circuit Analysis Practice Exam
- 8. Staying Engaged with Circuit Analysis Practice Exam
 - Joining Online Reading Communities
 - Participating in Virtual Book Clubs
 - Following Authors and Publishers Circuit Analysis Practice Exam
- 9. Balancing eBooks and Physical Books Circuit Analysis Practice Exam
 - Benefits of a Digital Library
 - Creating a Diverse Reading Collection Circuit Analysis Practice Exam
- 10. Overcoming Reading Challenges
 - Dealing with Digital Eye Strain
 - Minimizing Distractions
 - Managing Screen Time
- 11. Cultivating a Reading Routine Circuit Analysis Practice Exam
 - Setting Reading Goals Circuit Analysis Practice Exam
 - Carving Out Dedicated Reading Time
- 12. Sourcing Reliable Information of Circuit Analysis Practice Exam
 - Fact-Checking eBook Content of Circuit Analysis Practice Exam
 - Distinguishing Credible Sources

13. Promoting Lifelong Learning
 - Utilizing eBooks for Skill Development
 - Exploring Educational eBooks
14. Embracing eBook Trends
 - Integration of Multimedia Elements
 - Interactive and Gamified eBooks

Circuit Analysis Practice Exam Introduction

Circuit Analysis Practice Exam Offers over 60,000 free eBooks, including many classics that are in the public domain. Open Library: Provides access to over 1 million free eBooks, including classic literature and contemporary works. Circuit Analysis Practice Exam Offers a vast collection of books, some of which are available for free as PDF downloads, particularly older books in the public domain. Circuit Analysis Practice Exam : This website hosts a vast collection of scientific articles, books, and textbooks. While it operates in a legal gray area due to copyright issues, its a popular resource for finding various publications. Internet Archive for Circuit Analysis Practice Exam : Has an extensive collection of digital content, including books, articles, videos, and more. It has a massive library of free downloadable books. Free-eBooks Circuit Analysis Practice Exam Offers a diverse range of free eBooks across various genres. Circuit Analysis Practice Exam Focuses mainly on educational books, textbooks, and business books. It offers free PDF downloads for educational purposes. Circuit Analysis Practice Exam Provides a large selection of free eBooks in different genres, which are available for download in various formats, including PDF. Finding specific Circuit Analysis Practice Exam, especially related to Circuit Analysis Practice Exam, might be challenging as theyre often artistic creations rather than practical blueprints. However, you can explore the following steps to search for or create your own Online Searches: Look for websites, forums, or blogs dedicated to Circuit Analysis Practice Exam, Sometimes enthusiasts share their designs or concepts in PDF format. Books and Magazines Some Circuit Analysis Practice Exam books or magazines might include. Look for these in online stores or libraries. Remember that while Circuit Analysis Practice Exam, sharing copyrighted material without permission is not legal. Always ensure youre either creating your own or obtaining them from legitimate sources that allow sharing and downloading. Library Check if your local library offers eBook lending services. Many libraries have digital catalogs where you can borrow Circuit Analysis Practice Exam eBooks for free, including popular titles. Online Retailers: Websites like Amazon, Google Books, or Apple Books often sell eBooks. Sometimes, authors or publishers offer promotions or free periods for certain books. Authors Website Occasionally, authors provide excerpts or short stories for free on their websites. While this might not be the Circuit Analysis Practice Exam full book , it can give you a taste of the authors writing style. Subscription Services Platforms like Kindle

Unlimited or Scribd offer subscription-based access to a wide range of Circuit Analysis Practice Exam eBooks, including some popular titles.

FAQs About Circuit Analysis Practice Exam Books

How do I know which eBook platform is the best for me? Finding the best eBook platform depends on your reading preferences and device compatibility. Research different platforms, read user reviews, and explore their features before making a choice. Are free eBooks of good quality? Yes, many reputable platforms offer high-quality free eBooks, including classics and public domain works. However, make sure to verify the source to ensure the eBook credibility. Can I read eBooks without an eReader? Absolutely! Most eBook platforms offer webbased readers or mobile apps that allow you to read eBooks on your computer, tablet, or smartphone. How do I avoid digital eye strain while reading eBooks? To prevent digital eye strain, take regular breaks, adjust the font size and background color, and ensure proper lighting while reading eBooks. What the advantage of interactive eBooks? Interactive eBooks incorporate multimedia elements, quizzes, and activities, enhancing the reader engagement and providing a more immersive learning experience. Circuit Analysis Practice Exam is one of the best book in our library for free trial. We provide copy of Circuit Analysis Practice Exam in digital format, so the resources that you find are reliable. There are also many Ebooks of related with Circuit Analysis Practice Exam. Where to download Circuit Analysis Practice Exam online for free? Are you looking for Circuit Analysis Practice Exam PDF? This is definitely going to save you time and cash in something you should think about. If you trying to find then search around for online. Without a doubt there are numerous these available and many of them have the freedom. However without doubt you receive whatever you purchase. An alternate way to get ideas is always to check another Circuit Analysis Practice Exam. This method for see exactly what may be included and adopt these ideas to your book. This site will almost certainly help you save time and effort, money and stress. If you are looking for free books then you really should consider finding to assist you try this. Several of Circuit Analysis Practice Exam are for sale to free while some are payable. If you arent sure if the books you would like to download works with for usage along with your computer, it is possible to download free trials. The free guides make it easy for someone to free access online library for download books to your device. You can get free download on free trial for lots of books categories. Our library is the biggest of these that have literally hundreds of thousands of different products categories represented. You will also see that there are specific sites catered to different product types or categories, brands or niches related with Circuit Analysis Practice Exam. So depending on what exactly you are searching, you will be able to choose e books to suit your own need. Need to access completely for Campbell Biology Seventh Edition book? Access Ebook without any digging. And by having access to our ebook online or by storing it on your computer, you

have convenient answers with Circuit Analysis Practice Exam To get started finding Circuit Analysis Practice Exam, you are right to find our website which has a comprehensive collection of books online. Our library is the biggest of these that have literally hundreds of thousands of different products represented. You will also see that there are specific sites catered to different categories or niches related with Circuit Analysis Practice Exam So depending on what exactly you are searching, you will be able to choose ebook to suit your own need. Thank you for reading Circuit Analysis Practice Exam. Maybe you have knowledge that, people have search numerous times for their favorite readings like this Circuit Analysis Practice Exam, but end up in harmful downloads. Rather than reading a good book with a cup of coffee in the afternoon, instead they juggled with some harmful bugs inside their laptop. Circuit Analysis Practice Exam is available in our book collection an online access to it is set as public so you can download it instantly. Our digital library spans in multiple locations, allowing you to get the most less latency time to download any of our books like this one. Merely said, Circuit Analysis Practice Exam is universally compatible with any devices to read.

Find Circuit Analysis Practice Exam :

[solutions for calculus early transcendentals 6e](#)

[skoda superb notre essai exclusif les tarifs et nos photos](#)

[sports marketing fetchko roy download pdf ebooks about sports marketing fetchko roy or read online pdf viewer search kind](#)

[solutions to problems in merzbacher quantum mechanics](#)

[soal teori kejuruan otomotif](#)

soil mechanics foundation engineering arora

smp kelas 8 bahasa indonesia mlribd

[speaking a2 pre intermediate classroom collins](#)

[solutions manual operations research by wayne l winston](#)

[solfeggio ritmico dante agostini n 1](#)

[snakes in suits when psychopaths go to work paul babiak](#)

software engineering the current practice chapman hallcrc innovations in software engineering and software development series

spanish 2 unit 3 la rutina diaria y los quehaceres

[slasher](#)

solution quantum mechanics

Circuit Analysis Practice Exam :

page 45 headphone reviews and discussion head fi org - Jul 21 2022

web jan 23 2019 when i listen through the daccord with usb i occasionally get this fuzzy sound for a few seconds then it goes away i never got that with my peachtree dac it i

on m a accordé traduction anglaise linguee - Apr 17 2022

web de très nombreux exemples de phrases traduites contenant on m a accordé dictionnaire anglais français et moteur de recherche de traductions anglaises

pdf michl bauer ma c thode 2a a a cd pour accorda c o - Oct 04 2023

web michl bauer ma c thode 2a a a cd pour accorda c o proceedings jun 11 2021 quarterly journal of pure and applied mathematics jul 01 2020 proceedings of the

michl bauer ma c thode 2a a a cd pour accorda c o 2023 - Aug 02 2023

web michl bauer ma c thode 2a a a cd pour accorda c o 3 3 relevant angle each time the seamen s journal american psychiatric publishing shock is a physiological state of war

michl bauer ma c thode 2a a a cd pour accorda c o 2022 - Nov 12 2021

web michl bauer ma c thode 2a a a cd pour accorda c o downloaded from admin store motogp com by guest michael brock the seamen s journal springer

michl bauer ma c thode 2a a a cd pour accorda c o - Apr 29 2023

web offer it is not concerning the costs its not quite what you craving currently this michl bauer ma c thode 2a a a cd pour accorda c o as one of the most in force sellers

michl bauer ma c thode 2a a a cd pour accorda c o copy - Feb 13 2022

web michl bauer ma c thode 2a a a cd pour accorda c o 3 3 and drugs reflects the state of the art and most recent developments in atherosclerosis research outstanding

un soir a la maub song and lyrics by andré chegall s spotify - Sep 22 2022

web andré chegall s accordians and his orchestra of paris song 2014

guide d installateur stelpro - Dec 26 2022

web liste des composants de rechange incluse s y s t È m e q u a l i t É c e r t i f i É r e g i s t e r e d q u a l t y s y s t e m pour obtenir de plus amples renseignements

michl bauer ma c thode 2a a a cd pour accorda c o pdf - Sep 03 2023

web michl bauer ma c thode 2a a a cd pour accorda c o downloaded from ai classmonitor com by guest yosef winters the lutheran witness springer praise

michl bauer ma c thode 2a a a cd pour accorda c o pdf ftp - Jan 15 2022

web michl bauer ma c thode 2a a a cd pour accorda c o 1 michl bauer ma c thode 2a a a cd pour accorda c o downloaded from ftp themontcalmclub com by guest carla

in a fast paced world fueled by information and interconnectivity - May 31 2023

web sep 4 2023 webp o box 13247 austin texas 78711 3247 512 424 6500 september 4 2023 by donald a grant webcalifornia state treasurer fiona ma

michl bauer ma c thode 2a a a cd pour accorda c o 2022 - Dec 14 2021

web michl bauer ma c thode 2a a a cd pour accorda c o 3 3 that the body loses its ability to adjust any further thus descending into uncompensated shock with a refractory

michlbauermacthode2aacadpouraccordaco rosinaehmann - Jun 19 2022

web michl bauer ma c thode 2a a a cd pour accorda c o pdf michl bauer ma c thode 2a a a cd pour accorda c o 3 3 downloaded from uniport edu ng on march 24 2023 by guest

michl bauer ma c thode 2a a a cd pour accorda c o pdf pdf - Feb 25 2023

web michl bauer ma c thode 2a a a cd pour accorda c o pdf a mesmerizing literary masterpiece penned by way of a distinguished author guiding readers on a profound

michl bauer ma c thode 2a a a cd pour accorda c o pdf full - Mar 29 2023

web michl bauer ma c thode 2a a a cd pour accorda c o pdf pages 3 9 michl bauer ma c thode 2a a a cd pour accorda c o pdf upload dona v boyle 3 9 downloaded from

meier audio com - May 19 2022

web the daccord is a da converter at the inside two top of the line wolfson d a converter chips in dual mono mode a large battery of audiophile capacitors ultra fast opamps in

ma c thode d accorda c on chromatique copy - Oct 24 2022

web ma c thode d accorda c on chromatique basket three implementation of the helsinki accords soviet law and the helsinki monitors dec 26 2022 an honorable accord feb

michl bauer ma c thode 2a a a cd pour accorda c o pdr staff - Mar 17 2022

web numerous times for their favorite books like this michl bauer ma c thode 2a a a cd pour accorda c o but end up in malicious downloads rather than enjoying a good book

michl bauer ma c thode 2a a a cd pour accorda c o - Jul 01 2023

web as evaluation michl bauer ma c thode 2a a a cd pour accorda c o what you past to read principles of electron optics peter w hawkes 2012 12 02 the three volumes in

ma c thode d accorda c on volume 2 jean baptiste - Jan 27 2023

web later than this one merely said the ma c thode d accorda c on volume 2 is universally compatible like any devices to read american psychiatric association practice

michl bauer ma c thode 2a a a cd pour accorda c o - Aug 22 2022

web michl bauer ma c thode 2a a a cd pour accorda c o downloaded from jmsseniorliving com by guest gates ewing the postal record focus book a taos

ma c thode d accorda c on volume 2 copy - Nov 24 2022

web merely said the ma c thode d accorda c on volume 2 is universally compatible with any devices to read biographie universelle des musiciens et bibliographie generale de la

julius caesar reading comprehension quiz - Feb 05 2023

web explore our selection of frequently asked questions about julius caesar and find the answers you need what are flavius and murellus angry about at the beginning of the

julius caesar act 1 scene i quiz quick quiz sparknotes - Nov 21 2021

julius caesar differentiated reading comprehension activity - Apr 07 2023

web explain what he means in julius caesar what are the supernatural events and which characters are affected by them in julius caesar what does caesar tell antony to do

julius caesar practice albert - Jan 04 2023

web learn test match created by jfs21 terms in this set 93 what is the setting of the first scene roman street why have the shopkeepers left work to watch and celebrate

julius caesar practice quiz julius caesar study questions - Mar 26 2022

web study with quizlet and memorize flashcards containing terms like in scene one what do flavius and marcellus want the commoners to do what is the soothsayer s advice to

uks2 julius caesar reading comprehension activity - Nov 02 2022

web test match q chat created by mikhaelaleiann09 full document docs google com document d 1rm9nmh6mgerugrxjt548u7otxjrbxkktc

julius caesar full play quiz quick quiz sparknotes - Jun 09 2023

web shakespeare s julius caesar comprehension questions free download as word doc doc docx pdf file pdf text file txt or read online for free comprehension

julius caesar study questions with detailed answers - Aug 11 2023

web act 1 1 why are the tribunes flavius and marullus so upset at the opening of the play the tribunes are angry that the working class citizens of rome gather to celebrate caesar s

[julius caesar quizzes gradesaver](#) - Jun 28 2022

web may 18 2009 study these questions and answers to help you prepare for an upcoming quiz or test this covers some of the most important material from the play and is bound

[julius caesar questions answers sparknotes](#) - Sep 12 2023

web questions answers was assassinating caesar the right decision why does cassius hate caesar what is the significance of the comet why does caesar refuse the crown

[lks2 julius caesar reading comprehension activity](#) - Feb 22 2022

web was assassinating caesar the right decision why does cassius hate caesar what is the significance of the comet why does caesar refuse the crown when antony offers it to

julius caesar comprehension questions all flashcards quizlet - May 28 2022

web jul 12 2022 a reading comprehension passage with comprehension and grammar questions an extension task a crossword puzzle and a wordsearch about the famous

[shakespeare s julius caesar comprehension questions](#) - May 08 2023

web sep 3 2021 this julius caesar reading comprehension activity contains three versions of a reading comprehension task covering the topic of julius caesar one of ancient

[julius caesar comprehension questions flashcards quizlet](#) - Apr 26 2022

web it was meant to avert evil spirits and purify the city releasing health and fertility study with quizlet and memorize flashcards containing terms like what is the setting of the first

[julius caesar study guide sparknotes](#) - Dec 03 2022

web multiple choice study guide quiz questions julius caesar act i 1 in scene i what do flavius and marcellus want the commoners to do a go home and put on their

[julius caesar act 1 scene 1 comprehension check](#) - Jan 24 2022

[julius caesar comprehension questions ms mclong quizlet](#) - Dec 23 2021

julius caesar comprehension questions acts 1 5 flashcards - Oct 01 2022

web julius caesar study guide contains a biography of william shakespeare literature essays a complete e text quiz questions major themes characters and a full summary and

multiple choice study guide quiz questions - Aug 31 2022

web definition 1 76 he yells at them and interrogates the people marullus and flavius question the cobbler as to why he is not working what know you not being mechanical you

julius caesar comprehension questions flashcards quizlet - Jul 30 2022

web why is caesar s response significant especially coming right before he is assassinated for his personal ambition in caesar s speech to cimber he condemns flattery how did

julius caesar reading comprehension teaching - Jul 10 2023

web full play quiz 1 of 25 how does caesar first enter the play in disgrace he has been captured in defeat in a triumphal procession he has defeated the sons of his deceased

julius caesar questions and answers enotes com - Mar 06 2023

web 24 questions not started question the nature of power and betrayal with high level questions on language use dramatic structure and historical context note each of

a comprehensive encyclopedia of film noir the essential - May 31 2022

web jul 4 2023 a comprehensive encyclopedia of film noir the ess 1 8 downloaded from uniport edu ng on july 4 2023 by guest a comprehensive encyclopedia of film noir

a comprehensive encyclopedia of film noir google books - Aug 02 2022

web this extensive encyclopedia describes movies from noir s earliest days ä and even before looking at some of noir s ancestors in us and european cinema ä as well as noir s

[a comprehensive encyclopedia of film noir the ess pdf](#) - Feb 08 2023

web apr 14 2023 grant a prehensive encyclopedia of film noir the film noir encyclopedia by alain silver hardcover encyclopedia of film noir t e u w i s e n film noir the

a comprehensive encyclopedia of film noir the ess pdf - Mar 09 2023

web jun 16 2023 a comprehensive encyclopedia of film noir the ess 1 9 downloaded from uniport edu ng on june 16 2023 by guest a comprehensive encyclopedia of film

pdf a comprehensive encyclopedia of film noir the ess - Jun 12 2023

web a comprehensive encyclopedia of film noir the ess the routledge encyclopedia of film theory aug 16 2022 the routledge encyclopedia of film theory is an

[a comprehensive encyclopedia of film noir the ess pdf](#) - Apr 10 2023

web aug 10 2023 on line message a comprehensive encyclopedia of film noir the ess as capably as evaluation them wherever you are now one hundred film noirs jim hillier

a comprehensive encyclopedia of film noir product page - Dec 26 2021

web jun 30 2007 an analysis of the low budget and series film noirs provides information on those cult classics with over 200 entries on films directors and actors the

pdf a comprehensive encyclopedia of film noir the ess pdf - May 11 2023

web what is film noir william park 2011 09 16 what is film noir surveys the various theories of film noir defines film noir and explains how the genre relates to the style

a comprehensive encyclopedia of film noir the - Aug 14 2023

web oct 1 2013 a comprehensive encyclopedia of film noir the essential reference guide applause books grant john on amazon com free shipping on qualifying

a comprehensive encyclopedia of film noir the ess - Sep 22 2021

film noir the encyclopedia by priscilla finley - Oct 24 2021

web jul 27 2023 by guides you could enjoy now is a comprehensive encyclopedia of film noir the ess below film noir eddie robson 2005 hollywood showed its dark side in the

a comprehensive encyclopedia of film noir the ess - Jul 13 2023

web film noir is a uniquely american genre that has stylistic links to the german expressionist cinema of the 1920s and thematic links to the hard boiled crime fiction that emerged in

a comprehensive encyclopedia of film noir the ess - Dec 06 2022

web jul 6 2023 books with this one merely said the a comprehensive encyclopedia of film noir the ess is universally compatible in imitation of any devices to read film noir paul

a comprehensive encyclopedia of film noir the - Nov 05 2022

web this extensive encyclopedia describes movies from noir s earliest days and even before looking at some of noir s ancestors in us and european cinema as well as

a comprehensive encyclopedia of film noir the ess book - Feb 25 2022

web a comprehensive encyclopedia of film noir the ess religions of the world nov 20 2021 contains entries that examine the beliefs and practices of the world s religions at

a comprehensive encyclopedia of film noir the essential - Jul 01 2022

web this extensive encyclopedia describes movies from noir s earliest days ä and even before looking at some of noir s ancestors in us and european cinema ä as well as noir s

the film noir encyclopedia amazon com - Sep 03 2022

web a comprehensive encyclopedia of film noir contains the most extensive coverage yet of the us output of film noir with entries on well over 2 000 us noirs and neonoirs but

[a comprehensive encyclopedia of film noir rowman littlefield](#) - Oct 04 2022

web may 13 2010 the film noir encyclopedia silver alain ward elizabethm ursini james on amazon com free shipping on qualifying offers the film noir

a comprehensive encyclopedia of film noir the ess 2022 - Mar 29 2022

web mosaic of neo noir the time based movements examine transitional noir 1960s early 1970s hollywood renaissance noir in the 1970s eighties noir nineties noir and

a comprehensive encyclopedia of film noir the ess copy - Apr 29 2022

web the encyclopedia of epic films identifies describes and analyzes those films that meet the criteria of the epic sweeping drama panoramic landscapes lengthy adventure

encyclopedia of film noir geoff mayer brian mcdonnell - Nov 24 2021

web this fourth edition of film noir extends what has been the greatest strength of this work the detailed readable essays that contextualize plot details with keen and insightful critical

download free a comprehensive encyclopedia of film noir the - Jan 27 2022

web a comprehensive encyclopedia of film noir contains the most extensive coverage yet of the us output of film noir with entries on well over 2 000 us noirs and neonoirs but

a comprehensive encyclopedia of film noir the ess michael - Jan 07 2023

web a comprehensive encyclopedia of film noir the ess right here we have countless books a comprehensive encyclopedia of film noir the ess and collections to check