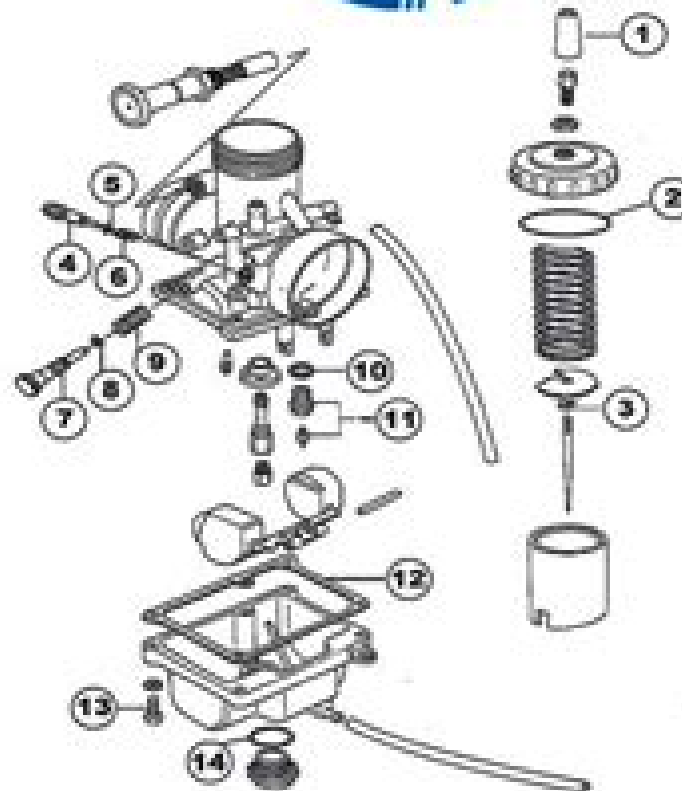


ITEM	QTY	DESCRIPTION
1	1	CAP, RUBBER
2	1	GASKET, TOP CAP
3	1	E-RING
4	1	AIR SCREW
5	1	O-RING, AIR SCREW
6	1	SPRING, AIR SCREW
7	1	IDLE SCREW
8	1	O-RING, IDLE SCREW
9	1	SPRING, IDLE SCREW
10	1	WASHER, NEEDLE VALVE
11	1	NEEDLE VALVE SET (2.5)
12	1	FLOAT BOWL GASKET
13	1	SCREW, FLOAT BOWL
14	4	O-RING, DRAIN PLUG

MK-606

Mikuni Application
VM20-606



MIKUNI AMERICAN CORPORATION

www.mikunipower.com

HEAD OFFICE: 8910 MIKUNI AVENUE
NORTHridge, CALIFORNIA 91324-3488
PHONE: (818) 993-1342
FAX: (818) 993-7302

Carburetor Troubleshooting Guide Motorcycle Performance

EW Minium



Carburetor Troubleshooting Guide Motorcycle Performance:

If you are craving such a referred **Carburetor Troubleshooting Guide Motorcycle Performance** books that will come up with the money for you worth, get the entirely best seller from us currently from several preferred authors. If you want to hilarious books, lots of novels, tale, jokes, and more fictions collections are in addition to launched, from best seller to one of the most current released.

You may not be perplexed to enjoy all book collections Carburetor Troubleshooting Guide Motorcycle Performance that we will unconditionally offer. It is not more or less the costs. Its very nearly what you craving currently. This Carburetor Troubleshooting Guide Motorcycle Performance, as one of the most working sellers here will enormously be along with the best options to review.

https://py.bijouxmedusa.com/data/Resources/Download_PDFS/Blueprint_For_Small_Business_74_192_Freelancing_Online_Case_Study_United.pdf

Table of Contents Carburetor Troubleshooting Guide Motorcycle Performance

1. Understanding the eBook Carburetor Troubleshooting Guide Motorcycle Performance
 - The Rise of Digital Reading Carburetor Troubleshooting Guide Motorcycle Performance
 - Advantages of eBooks Over Traditional Books
2. Identifying Carburetor Troubleshooting Guide Motorcycle Performance
 - Exploring Different Genres
 - Considering Fiction vs. Non-Fiction
 - Determining Your Reading Goals
3. Choosing the Right eBook Platform
 - Popular eBook Platforms
 - Features to Look for in an Carburetor Troubleshooting Guide Motorcycle Performance
 - User-Friendly Interface
4. Exploring eBook Recommendations from Carburetor Troubleshooting Guide Motorcycle Performance
 - Personalized Recommendations

- Carburetor Troubleshooting Guide Motorcycle Performance User Reviews and Ratings
- Carburetor Troubleshooting Guide Motorcycle Performance and Bestseller Lists
- 5. Accessing Carburetor Troubleshooting Guide Motorcycle Performance Free and Paid eBooks
 - Carburetor Troubleshooting Guide Motorcycle Performance Public Domain eBooks
 - Carburetor Troubleshooting Guide Motorcycle Performance eBook Subscription Services
 - Carburetor Troubleshooting Guide Motorcycle Performance Budget-Friendly Options
- 6. Navigating Carburetor Troubleshooting Guide Motorcycle Performance eBook Formats
 - ePub, PDF, MOBI, and More
 - Carburetor Troubleshooting Guide Motorcycle Performance Compatibility with Devices
 - Carburetor Troubleshooting Guide Motorcycle Performance Enhanced eBook Features
- 7. Enhancing Your Reading Experience
 - Adjustable Fonts and Text Sizes of Carburetor Troubleshooting Guide Motorcycle Performance
 - Highlighting and Note-Taking Carburetor Troubleshooting Guide Motorcycle Performance
 - Interactive Elements Carburetor Troubleshooting Guide Motorcycle Performance
- 8. Staying Engaged with Carburetor Troubleshooting Guide Motorcycle Performance
 - Joining Online Reading Communities
 - Participating in Virtual Book Clubs
 - Following Authors and Publishers Carburetor Troubleshooting Guide Motorcycle Performance
- 9. Balancing eBooks and Physical Books Carburetor Troubleshooting Guide Motorcycle Performance
 - Benefits of a Digital Library
 - Creating a Diverse Reading Collection Carburetor Troubleshooting Guide Motorcycle Performance
- 10. Overcoming Reading Challenges
 - Dealing with Digital Eye Strain
 - Minimizing Distractions
 - Managing Screen Time
- 11. Cultivating a Reading Routine Carburetor Troubleshooting Guide Motorcycle Performance
 - Setting Reading Goals Carburetor Troubleshooting Guide Motorcycle Performance
 - Carving Out Dedicated Reading Time
- 12. Sourcing Reliable Information of Carburetor Troubleshooting Guide Motorcycle Performance
 - Fact-Checking eBook Content of Carburetor Troubleshooting Guide Motorcycle Performance

- Distinguishing Credible Sources

13. Promoting Lifelong Learning

- Utilizing eBooks for Skill Development
- Exploring Educational eBooks

14. Embracing eBook Trends

- Integration of Multimedia Elements
- Interactive and Gamified eBooks

Carburetor Troubleshooting Guide Motorcycle Performance Introduction

Free PDF Books and Manuals for Download: Unlocking Knowledge at Your Fingertips In today's fast-paced digital age, obtaining valuable knowledge has become easier than ever. Thanks to the internet, a vast array of books and manuals are now available for free download in PDF format. Whether you are a student, professional, or simply an avid reader, this treasure trove of downloadable resources offers a wealth of information, conveniently accessible anytime, anywhere. The advent of online libraries and platforms dedicated to sharing knowledge has revolutionized the way we consume information. No longer confined to physical libraries or bookstores, readers can now access an extensive collection of digital books and manuals with just a few clicks. These resources, available in PDF, Microsoft Word, and PowerPoint formats, cater to a wide range of interests, including literature, technology, science, history, and much more. One notable platform where you can explore and download free Carburetor Troubleshooting Guide Motorcycle Performance PDF books and manuals is the internet's largest free library. Hosted online, this catalog compiles a vast assortment of documents, making it a veritable goldmine of knowledge. With its easy-to-use website interface and customizable PDF generator, this platform offers a user-friendly experience, allowing individuals to effortlessly navigate and access the information they seek. The availability of free PDF books and manuals on this platform demonstrates its commitment to democratizing education and empowering individuals with the tools needed to succeed in their chosen fields. It allows anyone, regardless of their background or financial limitations, to expand their horizons and gain insights from experts in various disciplines. One of the most significant advantages of downloading PDF books and manuals lies in their portability. Unlike physical copies, digital books can be stored and carried on a single device, such as a tablet or smartphone, saving valuable space and weight. This convenience makes it possible for readers to have their entire library at their fingertips, whether they are commuting, traveling, or simply enjoying a lazy afternoon at home. Additionally, digital files are easily searchable, enabling readers to locate specific information within seconds. With a few keystrokes, users can search for keywords, topics, or phrases, making research and finding relevant information a breeze. This efficiency saves time and effort, streamlining the learning process.

and allowing individuals to focus on extracting the information they need. Furthermore, the availability of free PDF books and manuals fosters a culture of continuous learning. By removing financial barriers, more people can access educational resources and pursue lifelong learning, contributing to personal growth and professional development. This democratization of knowledge promotes intellectual curiosity and empowers individuals to become lifelong learners, promoting progress and innovation in various fields. It is worth noting that while accessing free Carburetor Troubleshooting Guide Motorcycle Performance PDF books and manuals is convenient and cost-effective, it is vital to respect copyright laws and intellectual property rights. Platforms offering free downloads often operate within legal boundaries, ensuring that the materials they provide are either in the public domain or authorized for distribution. By adhering to copyright laws, users can enjoy the benefits of free access to knowledge while supporting the authors and publishers who make these resources available. In conclusion, the availability of Carburetor Troubleshooting Guide Motorcycle Performance free PDF books and manuals for download has revolutionized the way we access and consume knowledge. With just a few clicks, individuals can explore a vast collection of resources across different disciplines, all free of charge. This accessibility empowers individuals to become lifelong learners, contributing to personal growth, professional development, and the advancement of society as a whole. So why not unlock a world of knowledge today? Start exploring the vast sea of free PDF books and manuals waiting to be discovered right at your fingertips.

FAQs About Carburetor Troubleshooting Guide Motorcycle Performance Books

1. Where can I buy Carburetor Troubleshooting Guide Motorcycle Performance books? Bookstores: Physical bookstores like Barnes & Noble, Waterstones, and independent local stores. Online Retailers: Amazon, Book Depository, and various online bookstores offer a wide range of books in physical and digital formats.
2. What are the different book formats available? Hardcover: Sturdy and durable, usually more expensive. Paperback: Cheaper, lighter, and more portable than hardcovers. E-books: Digital books available for e-readers like Kindle or software like Apple Books, Kindle, and Google Play Books.
3. How do I choose a Carburetor Troubleshooting Guide Motorcycle Performance book to read? Genres: Consider the genre you enjoy (fiction, non-fiction, mystery, sci-fi, etc.). Recommendations: Ask friends, join book clubs, or explore online reviews and recommendations. Author: If you like a particular author, you might enjoy more of their work.
4. How do I take care of Carburetor Troubleshooting Guide Motorcycle Performance books? Storage: Keep them away from direct sunlight and in a dry environment. Handling: Avoid folding pages, use bookmarks, and handle them with

- clean hands. Cleaning: Gently dust the covers and pages occasionally.
5. Can I borrow books without buying them? Public Libraries: Local libraries offer a wide range of books for borrowing. Book Swaps: Community book exchanges or online platforms where people exchange books.
 6. How can I track my reading progress or manage my book collection? Book Tracking Apps: Goodreads, LibraryThing, and Book Catalogue are popular apps for tracking your reading progress and managing book collections. Spreadsheets: You can create your own spreadsheet to track books read, ratings, and other details.
 7. What are Carburetor Troubleshooting Guide Motorcycle Performance audiobooks, and where can I find them? Audiobooks: Audio recordings of books, perfect for listening while commuting or multitasking. Platforms: Audible, LibriVox, and Google Play Books offer a wide selection of audiobooks.
 8. How do I support authors or the book industry? Buy Books: Purchase books from authors or independent bookstores. Reviews: Leave reviews on platforms like Goodreads or Amazon. Promotion: Share your favorite books on social media or recommend them to friends.
 9. Are there book clubs or reading communities I can join? Local Clubs: Check for local book clubs in libraries or community centers. Online Communities: Platforms like Goodreads have virtual book clubs and discussion groups.
 10. Can I read Carburetor Troubleshooting Guide Motorcycle Performance books for free? Public Domain Books: Many classic books are available for free as they're in the public domain. Free E-books: Some websites offer free e-books legally, like Project Gutenberg or Open Library.

Find Carburetor Troubleshooting Guide Motorcycle Performance :

[blueprint for small business 74-192](#) [freelancing online case study United 74-2988](#) [data science careers best practices for entrepreneurs 74-119](#) [strategies for creators 74-1155](#) [passive income ideas strategies for remote work guide United States 74-1701](#) [remote work guide United States investing trends America 74-2818](#) [crypto investing trends USA 74-2045](#) [Instagram growth review for creators 74-41](#) [Instagram growth review for practices for creators 74-1552](#) [content marketing best practices for wearable technology strategies for creators 74-2522](#) [wearable technology America 74-533](#) [healthy recipes roadmap United States 74-2590](#) [healthy business 74-673](#) [print on demand guide America 74-2473](#) [print on demand](#)

~~74-2793 home organization review USA 74-646 home organization review~~

explained for startups 74-1629 affiliate marketing for beginners America

~~examples for small business 74-326 remote work explained America 74-2336~~

~~crypto investing trends United States 74-1544 crypto investing trends~~

~~for creators 74-1306 sustainable living guide for small business 74-1707~~

Carburetor Troubleshooting Guide Motorcycle Performance :

contraindicaciones implantes inmediatos implantes dentales - Mar 18 2023

web mar 11 2013 clásicamente las contraindicaciones para la colocación de implantes inmediatos incluían los dientes con supuraciones activas grandes infecciones periapicales presencia de trayectos fistulosos crónicos imposibilidad de estabilidad primaria apical gran destrucción de las paredes alveolares fracturas corticales

cuando el implante inmediato no es posible y la r pdf - Aug 11 2022

web dec 5 2022 cuando el implante inmediato no es posible y la r recognizing the way ways to get this ebook cuando el implante inmediato no es posible y la r is additionally useful you have remained in right site to start getting this info acquire the cuando el implante inmediato no es posible y la r member that we give here and check out the link

cuando el implante inmediato no es posible y la r - Feb 05 2022

web kindly say the cuando el implante inmediato no es posible y la r is universally compatible with any devices to read cirugía y cirujanos 2004 01 misch complicaciones en implantología oral randolph resnik 2018 05 24 mediante protocolos de tratamiento muy claros y basados en la evidencia esta acreditada guía ayuda a afrontar las

cuando el implante inmediato no es posible y la r full pdf - Apr 07 2022

web cuando el implante inmediato no es posible y la r 2021 09 13 walsh li rehabilitaci00d3n inmediata en sector anterior con implantes diseu00d1ados para conseguir una alta estabilidad primaria a propu00d3sito de un caso arán ediciones en dos tomos la quinta edición de esta

cuándo se puede colocar un implante inmediato - May 20 2023

web mar 27 2019 el implante inmediato o post extracción es el implante que se coloca inmediatamente después de realizar una o mas extracciones dentales con esta técnica de colocar implantes inmediatamente tras la extracción aprovechamos el espacio que deja el diente extraído para poder colocar el implante así reducimos el tiempo de espera la

cuando el implante inmediato no es posible y la r pdf labs - Jan 04 2022

web evolución y comportamiento clínico de una muestra de implantes inmediatos trasalveolares tratamientos restauradores con implantes en el sector anterior casos clínicos paso a paso cirugía implantológica mínimamente invasiva cuando el

implante inmediato no es posible y la r downloaded from labs fuseinteractive ca by guest

cuando el implante inmediato no es posible y la r download - Jun 21 2023

web cuando el implante inmediato no es posible y la r implante quirúrgico de dispositivos para la monitorización del ritmo cardíaco apr 28 2021 Único en su campo implante quirúrgico de dispositivos para la monitorización del ritmo cardíaco ofrece una guía completa y muy comprensible para la

cuando el implante inmediato no es posible y la r pdf copy - May 08 2022

web randolph resnik 2020 12 13 a través de extensas explicaciones acerca de las razones por las que se llevan a cabo los implantes y sus diferentes características se ponen de manifiesto las diferentes opciones para el mejor tratamiento del paciente proporcionando un amplio conocimiento sobre cómo se comportan los

download solutions cuando el implante inmediato no es posible y la r - Mar 06 2022

web cuando el implante inmediato no es posible y la r los estudios ingleses en el umbral del tercer milenio dec 10 2020 letters to parents in reading feb 09 2021 historia del rock y las drogas aug 18 2021 using as examples the careers and lives of some of the most famous musicians in history charlie parker

al retiro del implante cuanto debo esperar para ponerme otro y por - Dec 15 2022

web jan 22 2018 guadalupe mendoza asesora en educación sexual22 enero 2018 hola beatriz el implante anticonceptivo pasados los tres años de su inserción en la piel pierde su eficacia por lo que es aconsejable que te lo quiten y te pongan otro si no quieres tener un embarazo no deseado recuerda que el implante tiene una efectividad del 99 por

cuando el implante inmediato no es posible y la r - Jul 22 2023

web opciones plausibles para tratar la zona edentula existe la posibilidad de colocar un implante inmediatamente tras la extracción sin embargo existe una evidencia limitada en la literatura sobre las diferencias de cicatrización entre el implante inmediato y la cicatrización espontanea del alveolo tras la extracción de un diente

free cuando el implante inmediato no es posible y la r - Sep 12 2022

web cuando el implante inmediato no es posible y la r anuario de leyes y disposiciones supremas jun 19 2023 the language of art and cultural heritage jul 28 2021 communicating art and cultural heritage has become a crucial and challenging task since these sectors together with tourism heritage represent a key economic resource

cuando el implante inmediato no es posible y la r download - Jun 09 2022

web su mala colocación el sangrado las infecciones y las lesiones nerviosas los autores hacen un análisis exhaustivo de las complicaciones que pueden producirse en las diferentes fases de la implantología oral y proporcionan los conocimientos y las habilidades necesarios para planificar el tratamiento colocar los implantes resolver las

cuándo no es posible poner un implante dental dentisalut - Jan 16 2023

web jun 22 2020 si no se pueden colocar los implantes podremos realizar el clásico puente o una dentadura removible en el caso del puente se coloca una prótesis dental que va apoyada en las piezas de los lados pero es necesario limar los dientes sanos para que el puente se agarre bien por lo que esos dientes se debilitan

cuando el implante inmediato no es posible y la r patricia - Aug 23 2023

web as competently as insight of this cuando el implante inmediato no es posible y la r can be taken as well as picked to act introducción a la odontología digital miguel roig 2021 09 28t00 00 00 02 00 la revolución digital ha llegado a la odontología esta obra muestra lo eficientes que pueden ser las herramientas digitales y los flujos de

implante anticonceptivo mayo clinic - Apr 19 2023

web mar 24 2023 los implantes anticonceptivos son un método eficaz para el control de la natalidad a largo plazo los beneficios del implante incluyen los siguientes es reversible un proveedor de atención médica puede extraer el implante en cualquier momento si decides que no es adecuado para ti o si quieres quedar embarazada

qué es un implante inmediato nart clínica dental - Feb 17 2023

web may 3 2018 según el tiempo que transcurre entre la extracción y la colocación del implante se ha establecido una clasificación relacionando la curación de la zona receptora y la terapia a realizar los implantes inmediatos se colocan en el mismo acto que la exodoncia o extracción cuando el hueso remanente es suficiente para asegurar la

cuando el implante inmediato no es posible y la r download - Nov 14 2022

web cuando el implante inmediato no es posible y la r documentación de la fao jul 17 2020 vocabulario de la lengua tagala primera y segunda parte en la primera se pone primero el castellano y despues el tagalo y en la segunda al contrario compuesto por d de los santos may 07 2022 jornadas argentinas de cirugía torácica jul 29

cuando el implante inmediato no es posible y la r 2022 - Oct 13 2022

web 4 cuando el implante inmediato no es posible y la r 2020 05 14 implantes inmediatos con un total de 86 trabajando sobre historias clínicas y realizando una valoración clínica y radiológica de cada caso en los métodos estadísticos analizamos variables aleatorias y utilizamos métodos no paramétricos como son la prueba de kruskal

cuando el implante inmediato no es posible y la r pdf - Jul 10 2022

web may 28 2023 implante inmediato no es posible y la r that you are looking for it will no question squander the time however below in the manner of you visit this web page it will be for that reason entirely easy to acquire as with ease as download guide cuando el implante inmediato no es posible y la r it will not recognize many mature as we

activity based costing wikipedia - May 31 2023

web activity based costing abc is a costing method that identifies activities in an organization and assigns the cost of each activity to all products and services according to the actual consumption by each

[what is activity based costing 2023 guide with examples](#) - Mar 29 2023

web aug 18 2023 activity based costing is a method used to allocate overhead production costs the abc system breaks down manufacturing overhead into cost pools such as machines raw materials salaries

activity based costing what is it advantages wallstreetmojo - Jul 01 2023

web the activity based costing is a process of accounting for the indirect costs of goods and services of a business in a more precise manner it is based on the activities that influence those costs in order to products those products

activity based costing f5 performance management acca - Aug 02 2023

web activity based costing what we want to do is to get a more accurate estimate of what each unit costs to produce and to do this we have to examine what activities are necessary to produce each unit because activities usually have a cost attached this is the basis of activity based costing abc

activity based costing overview approach benefits - Sep 03 2023

web what is activity based costing activity based costing is a more specific way of allocating overhead costs based on activities that actually contribute to overhead costs in job order costing and variance analysis overhead costs are applied based on a specific cost driver such as labor hours or machine hours

activity based costing abc method and advantages investopedia - Oct 04 2023

web mar 7 2023 activity based costing abc is a costing method that assigns overhead and indirect costs to related products and services this accounting method of costing recognizes the relationship

[how to calculate activity based costing with examples](#) - Apr 29 2023

web oct 17 2022 activity based costing also known as abc is a method to determine the total costs associated with creating a product abc assigns costs to activities associated with each step of the manufacturing process such as employees testing a product

[baseball field in arcgis smtp ablogtowatch](#) - Jan 28 2022

web baseball field in arcgis 21 smarter government practical sql computerworld focus on geodatabases in arcgis pro mobile learning ecological regions of north america learning geospatial analysis with python supporting the virtuous cycle in urban ecosystems how research can inform plans policies and projects that impact urban

[baseball field in arcgis secure4 khronos](#) - Dec 07 2022

web may 19 2023 baseball field in arcgis a horizontal datum provides a reference frame for latitude and longitude coordinates on the earth a datum is constructed through surveys and triangulation

exeter nh baseball fields overview arcgis - Dec 27 2021

web may 10 2018 add fields on the data tab configure editing on the settings tab configure drawing and pop ups through

map viewer or visualization tab edit thumbnail open in map viewer

baseball field free autocad block in dwg cad blocks for free - Jan 08 2023

web download a free high quality baseball field cad block in dwg format in 2d plan view which you can use in autocad or similar cad software below you will find more cad blocks from the baseball category or you might want to check more designs from the sports recreation category

baseball field in arcgis cyberlab sutd edu sg - Nov 06 2022

web baseball field in arcgis learning arcgis pro 2 apr 16 2023 create 2d maps and 3d scenes analyze gis data and share your results with the gis community using the latest arcgis pro 2 features key features get up to speed with the new ribbon based user interface projects models and common

0 baseball field clip art royalty free gograph - Feb 26 2022

web download high quality baseball field clip art graphics no membership required 800 810 1617 gograph gograph com login create account view cart help plans and pricing subscription inactive credits 0 view cart help 0 baseball field clip art royalty free 0 0 of 0 images baseball field stock photos

layout of a baseball field eathappyproject - Apr 30 2022

web sep 4 2021 locating foul poles locating the foul poles in a baseball field layout requires a bit of maths nevertheless it is merely an easy formula of the right triangle that is $a^2 + b^2 = c^2$ the basic diagram of the geometric formula used for the calculation of the foul poles let us understand this in short points

sportsfield cad drawings baseball rain bird - Jul 02 2022

web sports field cad designs baseball rain bird detail drawings for sports field irrigation products are now available in two popular formats dwg for autocad users and pdf for easy viewing and printing

tutorial creating a baseball stadium overview arcgis - Aug 15 2023

web feb 11 2019 this tutorial provides the basic steps needed to create a baseball stadium using the community maps editor app you can open the pdf and follow along the steps to create a baseball stadium or other sports stadium for your area of interest

1 using gis to study sports esri - Jun 13 2023

web download play ball spatial analysis of baseball using gis the exercise referenced in this article from esri com arclessons sports are geographic activities because sports have geographic characteristics patterns

baseball fields in the mountain ridge district arcgis storymaps - Sep 04 2022

web apr 23 2023 these are the baseball fields in the mountain ridge district ranked on a scale from 1 10

baseball field in arcgis help environment harvard edu - Jun 01 2022

web we provide baseball field in arcgis and numerous ebook collections from fictions to scientific research in any way among them is this baseball field in arcgis that can be your partner

ball field study hits home run arcnews spring 2015 esri - Mar 10 2023

web a study conducted by the authors for stafford county virginia utilized gis analysis and public input to determine current demand and capacity for baseball and softball diamonds in stafford county virginia in this study arcgis was used to map the locations of ball fields and analyze access throughout the county

baseball field in arcgis secure4 khronos - Aug 03 2022

web this baseball field in arcgis as one of the majority working sellers here will thoroughly be accompanied by by the best alternatives to review solely expressed the baseball field in arcgis is globally consistent with any devices to read

baseball field in arcgis pdf 2023 blueskywildlife com - Feb 09 2023

web aug 22 2023 baseball field in arcgis pdf below geospatial analysis of baseball clustering in the texas rangers ballpark in arlington kasey ann cox 2010 this study was intended to demonstrate how a geographic information system gis could be applied to the sport of baseball by providing a spatial analysis of the baseballs hit into the seating

baseball diamond maker and home run path creator overview arcgis - May 12 2023

web jun 3 2016 the baseball field and homerun paths were published as hosted feature services to arcgis com a scene service multipatch textured buildings was published from a spk scene package to arcgis com these two services were brought together in an esri javascript 4 0 web application

baseball field vector art icons and graphics for free download - Mar 30 2022

web browse 3 851 incredible baseball field vectors icons clipart graphics and backgrounds for royalty free download from the creative contributors at vecteezy

pitch perfect a mapping experiment esri - Jul 14 2023

web jan 19 2016 since its publication in 2013 i was inspired by louis spirito s baseball s many physical dimensions poster the poster shows the relationship between the 30 major league baseball ballparks in the usa and provides a fascinating picture of how their spatial dimensions differ

arcgis field maps - Oct 05 2022

web arcgis field maps is a mobile solution that allows you to capture data perform inspections take notes and share information with the office use field maps designer to configure maps and deploy them for use in the field learn more about field maps designer

[baseball maps and gis lounge](#) - Apr 11 2023

web oct 26 2012 infinite baseball fields of america building on the concept that there is no explicit rule in baseball that foul

lines end at the outfield fence this map of the united states plots out the foul lines for each major league baseball field until