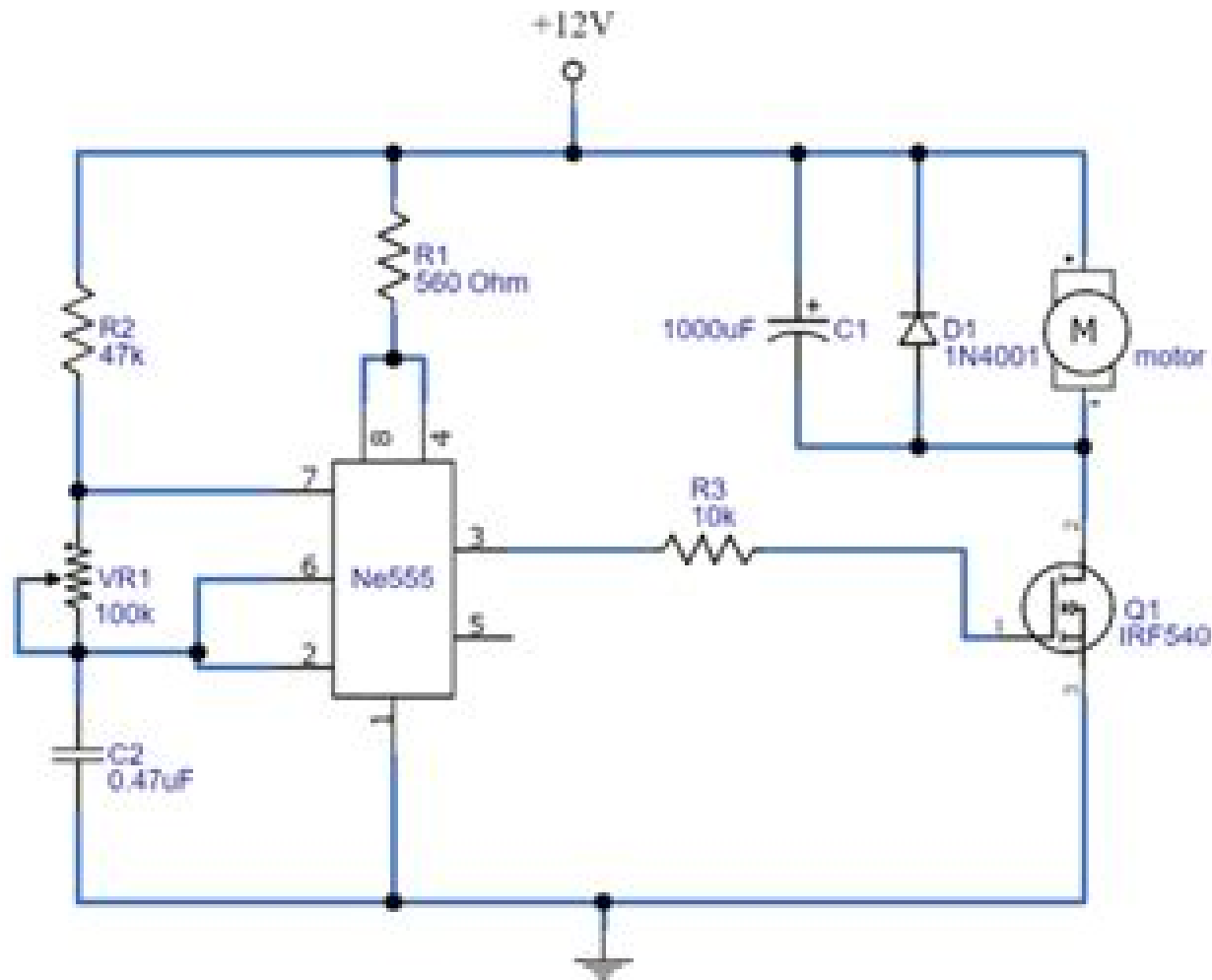


# DC Motor Speed Control Circuit



For Complete Details Visit :  
[www.Circuits-DIY.com](http://www.Circuits-DIY.com)

# Dc Motor Speed Control Schematic

**Julia Schneider**

A decorative graphic element consisting of a light blue horizontal bar with a rounded right end, and a red-to-white gradient semi-circle positioned behind the bar's end.

## **Dc Motor Speed Control Schematic:**

**Ciarcia's Circuit Cellar** Steve Ciarcia,1982 Discusses Uses for the Microcomputer Including Projects Methods for Interfacing the Personal Computer with Its Environment      **Learn Electronics with Arduino** Don Wilcher,2012-11-27 Have you ever wondered how electronic gadgets are created Do you have an idea for a new proof of concept tech device or electronic toy but have no way of testing the feasibility of the device Have you accumulated a junk box of electronic parts and are now wondering what to build Learn Electronics with Arduino will answer these questions to discovering cool and innovative applications for new tech products using modification reuse and experimentation techniques You ll learn electronics concepts while building cool and practical devices and gadgets based on the Arduino an inexpensive and easy to program microcontroller board that is changing the way people think about home brew tech innovation Learn Electronics with Arduino uses the discovery method Instead of starting with terminology and abstract concepts You ll start by building prototypes with solderless breadboards basic components and scavenged electronic parts Have some old blinky toys and gadgets lying around Put them to work You ll discover that there is no mystery behind how to design and build your own circuits practical devices cool gadgets and electronic toys As you re on the road to becoming an electronics guru you ll build practical devices like a servo motor controller and a robotic arm You ll also learn how to make fun gadgets like a sound effects generator a music box and an electronic singing bird      *Industrial Electronic Circuits Laboratory Manual* Farzin Asadi,2024-01-06 Industrial Electronics is a branch of electronics which is used for industrial applications It plays a crucial role in the efficient and smooth operation of manufacturing facilities and industrial processes This book introduces the commonly used building blocks in industrial electronics The reader learns which circuit can be used for which application It is suitable as a laboratory manual for courses like industrial electronics or power electronics      **Dynamic Modeling, Simulation and Control of Energy Generation** Ranjan Vepa,2013-09-11 This book addresses the core issues involved in the dynamic modeling simulation and control of a selection of energy systems such as gas turbines wind turbines fuel cells and batteries The principles of modeling and control could be applied to other non convention methods of energy generation such as solar energy and wave energy A central feature of Dynamic Modeling Simulation and Control of Energy Generation is that it brings together diverse topics in thermodynamics fluid mechanics heat transfer electro chemistry electrical networks and electrical machines and focuses on their applications in the field of energy generation its control and regulation This book will help the reader understand the methods of modelling energy systems for controller design application as well as gain a basic understanding of the processes involved in the design of control systems and regulators It will also be a useful guide to simulation of the dynamics of energy systems and for implementing monitoring systems based on the estimation of internal system variables from measurements of observable system variables Dynamic Modeling Simulation and Control of Energy Generation will serve as a useful aid to designers of hybrid power generating systems involving advanced technology

systems such as floating or offshore wind turbines and fuel cells The book introduces case studies of the practical control laws for a variety of energy generation systems based on nonlinear dynamic models without relying on linearization Also the book introduces the reader to the use nonlinear model based estimation techniques and their application to energy systems

**Fundamentals of Power Electronics** Bhattacharya S.K.,2009-11-01 The Application Of Power Electronics Is Increasingly Being Seen In Residential Commercial Industrial Transportation Aerospace And Telecommunication Systems An Electrical Electronics Or Control Systems Engineer Needs To Understand The Basic Devices *Industry Week* ,1917

*Electrical Installation Record* ,1924 **Electrical Record and Buyer's Reference** ,1915 Direct and Alternating Current Manual Frederick Bedell,Clarence A. Pierce,1911 **The Iron Trade Review** ,1917 **Power** ,1930

**Proceedings of the American Institute of Electrical Engineers** ,1929 Vols for 1887 1946 include the preprint pages of the institute s Transactions **Official Gazette of the United States Patent and Trademark Office** ,1989 **Blast**

**Furnace and Steel Plant** ,1922 Linear Integrated Circuits ,1990 **Industrial Engineering** ,1927 *The Engineering Index* ,1924 *Engineering Index Annual* ,1929 *The Electrical Journal* ,1915 **Electric Motors and Motor Controls** Jeff Keljik,1995 The coverage from basic principles of electrical motors and controls to more complex real world applications makes this one of the most comprehensive practical texts on the market

Discover tales of courage and bravery in is empowering ebook, Stories of Fearlessness: **Dc Motor Speed Control Schematic** . In a downloadable PDF format ( PDF Size: \*), this collection inspires and motivates. Download now to witness the indomitable spirit of those who dared to be brave.

[https://py.bijouxmedusa.com/data/scholarship/fetch.php/Fire\\_And\\_Fury\\_Inside\\_The\\_Trump\\_White\\_House\\_Michael\\_Wolff.pdf](https://py.bijouxmedusa.com/data/scholarship/fetch.php/Fire_And_Fury_Inside_The_Trump_White_House_Michael_Wolff.pdf)

## **Table of Contents Dc Motor Speed Control Schematic**

1. Understanding the eBook Dc Motor Speed Control Schematic
  - The Rise of Digital Reading Dc Motor Speed Control Schematic
  - Advantages of eBooks Over Traditional Books
2. Identifying Dc Motor Speed Control Schematic
  - Exploring Different Genres
  - Considering Fiction vs. Non-Fiction
  - Determining Your Reading Goals
3. Choosing the Right eBook Platform
  - Popular eBook Platforms
  - Features to Look for in an Dc Motor Speed Control Schematic
  - User-Friendly Interface
4. Exploring eBook Recommendations from Dc Motor Speed Control Schematic
  - Personalized Recommendations
  - Dc Motor Speed Control Schematic User Reviews and Ratings
  - Dc Motor Speed Control Schematic and Bestseller Lists
5. Accessing Dc Motor Speed Control Schematic Free and Paid eBooks
  - Dc Motor Speed Control Schematic Public Domain eBooks
  - Dc Motor Speed Control Schematic eBook Subscription Services
  - Dc Motor Speed Control Schematic Budget-Friendly Options
6. Navigating Dc Motor Speed Control Schematic eBook Formats

- ePub, PDF, MOBI, and More
  - Dc Motor Speed Control Schematic Compatibility with Devices
  - Dc Motor Speed Control Schematic Enhanced eBook Features
7. Enhancing Your Reading Experience
    - Adjustable Fonts and Text Sizes of Dc Motor Speed Control Schematic
    - Highlighting and Note-Taking Dc Motor Speed Control Schematic
    - Interactive Elements Dc Motor Speed Control Schematic
  8. Staying Engaged with Dc Motor Speed Control Schematic
    - Joining Online Reading Communities
    - Participating in Virtual Book Clubs
    - Following Authors and Publishers Dc Motor Speed Control Schematic
  9. Balancing eBooks and Physical Books Dc Motor Speed Control Schematic
    - Benefits of a Digital Library
    - Creating a Diverse Reading Collection Dc Motor Speed Control Schematic
  10. Overcoming Reading Challenges
    - Dealing with Digital Eye Strain
    - Minimizing Distractions
    - Managing Screen Time
  11. Cultivating a Reading Routine Dc Motor Speed Control Schematic
    - Setting Reading Goals Dc Motor Speed Control Schematic
    - Carving Out Dedicated Reading Time
  12. Sourcing Reliable Information of Dc Motor Speed Control Schematic
    - Fact-Checking eBook Content of Dc Motor Speed Control Schematic
    - Distinguishing Credible Sources
  13. Promoting Lifelong Learning
    - Utilizing eBooks for Skill Development
    - Exploring Educational eBooks
  14. Embracing eBook Trends
    - Integration of Multimedia Elements
    - Interactive and Gamified eBooks

## **Dc Motor Speed Control Schematic Introduction**

In the digital age, access to information has become easier than ever before. The ability to download Dc Motor Speed Control Schematic has revolutionized the way we consume written content. Whether you are a student looking for course material, an avid reader searching for your next favorite book, or a professional seeking research papers, the option to download Dc Motor Speed Control Schematic has opened up a world of possibilities. Downloading Dc Motor Speed Control Schematic provides numerous advantages over physical copies of books and documents. Firstly, it is incredibly convenient. Gone are the days of carrying around heavy textbooks or bulky folders filled with papers. With the click of a button, you can gain immediate access to valuable resources on any device. This convenience allows for efficient studying, researching, and reading on the go. Moreover, the cost-effective nature of downloading Dc Motor Speed Control Schematic has democratized knowledge. Traditional books and academic journals can be expensive, making it difficult for individuals with limited financial resources to access information. By offering free PDF downloads, publishers and authors are enabling a wider audience to benefit from their work. This inclusivity promotes equal opportunities for learning and personal growth. There are numerous websites and platforms where individuals can download Dc Motor Speed Control Schematic. These websites range from academic databases offering research papers and journals to online libraries with an expansive collection of books from various genres. Many authors and publishers also upload their work to specific websites, granting readers access to their content without any charge. These platforms not only provide access to existing literature but also serve as an excellent platform for undiscovered authors to share their work with the world. However, it is essential to be cautious while downloading Dc Motor Speed Control Schematic. Some websites may offer pirated or illegally obtained copies of copyrighted material. Engaging in such activities not only violates copyright laws but also undermines the efforts of authors, publishers, and researchers. To ensure ethical downloading, it is advisable to utilize reputable websites that prioritize the legal distribution of content. When downloading Dc Motor Speed Control Schematic, users should also consider the potential security risks associated with online platforms. Malicious actors may exploit vulnerabilities in unprotected websites to distribute malware or steal personal information. To protect themselves, individuals should ensure their devices have reliable antivirus software installed and validate the legitimacy of the websites they are downloading from. In conclusion, the ability to download Dc Motor Speed Control Schematic has transformed the way we access information. With the convenience, cost-effectiveness, and accessibility it offers, free PDF downloads have become a popular choice for students, researchers, and book lovers worldwide. However, it is crucial to engage in ethical downloading practices and prioritize personal security when utilizing online platforms. By doing so, individuals can make the most of the vast array of free PDF resources available and embark on a journey of continuous learning and intellectual growth.

## FAQs About Dc Motor Speed Control Schematic Books

How do I know which eBook platform is the best for me? Finding the best eBook platform depends on your reading preferences and device compatibility. Research different platforms, read user reviews, and explore their features before making a choice. Are free eBooks of good quality? Yes, many reputable platforms offer high-quality free eBooks, including classics and public domain works. However, make sure to verify the source to ensure the eBook credibility. Can I read eBooks without an eReader? Absolutely! Most eBook platforms offer web-based readers or mobile apps that allow you to read eBooks on your computer, tablet, or smartphone. How do I avoid digital eye strain while reading eBooks? To prevent digital eye strain, take regular breaks, adjust the font size and background color, and ensure proper lighting while reading eBooks. What the advantage of interactive eBooks? Interactive eBooks incorporate multimedia elements, quizzes, and activities, enhancing the reader engagement and providing a more immersive learning experience. Dc Motor Speed Control Schematic is one of the best book in our library for free trial. We provide copy of Dc Motor Speed Control Schematic in digital format, so the resources that you find are reliable. There are also many Ebooks of related with Dc Motor Speed Control Schematic. Where to download Dc Motor Speed Control Schematic online for free? Are you looking for Dc Motor Speed Control Schematic PDF? This is definitely going to save you time and cash in something you should think about.

### Find Dc Motor Speed Control Schematic :

*fire and fury inside the trump white house michael wolff*

*forex trading technical analysis*

*food emulsifiers and their applications 2nd edition*

**fluid mechanics streeter 9th edition download**

*federal university of otuoke bayelsa*

*forest river owners manual*

*folding hearts mitchell family 2 jennifer foor*

fiat marea repair

fl studio 12 5 0 crack reg key 2017 working lifetime

*focus on ielts listening answer key pearson*

financial and managerial accounting 5th edition mcgraw hill

*financial algebra chapter 8 answers*

**ffc management trainees jobs nts test sample paper mcqs**

[fine art wedding photography pdf download now](#)  
[foto ngentot bule cantik](#)

### **Dc Motor Speed Control Schematic :**

**official spectator guide london 2012 olympic games the london** - Jun 01 2022

web official spectator guide london 2012 olympic games the london organising committee of the olympic games and paralympic games ltd summer olympic games organizing committee 30 2012 london edited by locog 2012 vol 1a athletics vol 1b marathon and race walk vol 2 rowing vol 3 badminton vol 4

[the 2012 london olympics an unofficial guide amazon com au](#) - Feb 09 2023

web the 2012 london olympics an unofficial guide hunter nick amazon com au books

**the 2012 london olympics an unofficial guide the olympics amazon de** - Jan 08 2023

web the 2012 london olympics an unofficial guide the olympics hunter nick isbn 9781410941190 kostenloser versand für alle bücher mit versand und verkauf duch amazon the 2012 london olympics an unofficial guide the olympics hunter nick amazon de bücher

**the 2012 london olympics an unofficial guide library binding** - Aug 15 2023

web the 2012 london olympics an unofficial guide library binding hunter nick amazon com tr kitap

**2012 summer olympics wikipedia** - Sep 04 2022

web v t e the 2012 summer olympics officially the games of the xxx olympiad a and also known as london 2012 was an international multi sport event held from 27 july to 12 august 2012 in london england united kingdom

[london 2012 olympic games official olympic documents](#) - Feb 26 2022

web london 2012 olympic games candidature process ioc evaluation commission members biographies 12 sep 2009 7 pages

[the 2012 london olympics an unofficial guide by hunter nick](#) - Dec 27 2021

web the 2012 london olympics an unofficial guide by hunter nick heinemann 2011 library binding library binding hunter on amazon com free shipping on qualifying offers the 2012 london olympics an unofficial guide by hunter nick heinemann 2011 library binding library binding

**the london olympics 2012 an unofficial guide the olympics** - Apr 11 2023

web the london olympics 2012 offers up to the minute information about this forthcoming world event including the countdown to 2012 an overview of olympic venues for 2012 athletes to watch and sports that will be featuring it also includes going for gold fact boxes a map of olympic venues and a timeline of olympic history

**london 2012 the legacy of the olympics 10 years on bbc news** - Apr 30 2022

web jul 8 2022 lund point on the carpenters estate in stratford was our window to the spectacle of london 2012 a superb vantage point overlooking the olympic stadium

**the 2012 london olympics an unofficial guide paperback** - Jun 13 2023

web jul 1 2011 the 2012 london olympics offers up to the minute information about this forthcoming world event including the countdown to 2012 an overview of olympic venues for 2012 athletes to watch and sports that will be featuring it also includes going for gold fact boxes a map of olympic venues and a timeline of olympic history

unofficial 2012 olympic guides by kyle richardson overdrive - Oct 05 2022

web jul 15 2012 this guide is your complete insider look at field in the 2012 london olympics includes tips on how to become an olympian note track and field are two separate books this book is for field events only

*unofficial 2012 olympic guides by kyle richardson overdrive* - Jan 28 2022

web jul 15 2012 this guide is your complete insider look track in the 2012 london olympics includes tips on how to become an olympian note track and field are two separate books this book is for track only for field events please see unofficial 2012 olympic guides usa field

**the 2012 london olympics an unofficial guide paperback** - May 12 2023

web buy the 2012 london olympics an unofficial guide by hunter nick online on amazon ae at best prices fast and free shipping free returns cash on delivery available on eligible purchase

**the 2012 london olympics an unofficial guide paperback** - Mar 10 2023

web jul 1 2011 the 2012 london olympics offers up to the minute information about this forthcoming world event including the countdown to 2012 an overview of olympic

london 2012 summer olympics athletes medals results - Mar 30 2022

web jul 27 2012 triathlon originals 52 00 men s triathlon london 2012 classic finals about the games olympic park on the spotlight the london 2012 games were centred around the olympic park in east london which is the site of a number of new sports venues

**the 2012 london olympics an unofficial guide paperback** - Nov 06 2022

web hello sign in account lists returns orders cart

*london 2012 olympic games history medal table britannica* - Jul 02 2022

web jul 21 2023 london 2012 olympic games athletic festival that took place july 27 august 12 2012 the london games were the 27th occurrence of the modern olympic games london was the first city to host the modern games three times having previously been the site of the 1908 and 1948 olympics

**the 2012 london olympics an unofficial guide the olympics** - Jul 14 2023

web aug 1 2011 the 2012 london olympics offers up to the minute information about this forthcoming world event including the countdown to 2012 an overview of olympic venues for 2012 athletes to watch and sports that will be featuring it also includes going for gold fact boxes a map of olympic venues and a timeline of olympic history

*the 2012 london olympics an unofficial guide amazon com mx* - Aug 03 2022

web the london olympics 2012 offers up to the minute information about this forthcoming world event including the countdown to 2012 an overview of olympic venues for 2012 athletes to watch and sports that will be featuring it also includes going for gold fact boxes a map of olympic venues and a timeline of olympic history

*the 2012 london olympics an unofficial guide alibris* - Dec 07 2022

web buy the 2012 london olympics an unofficial guide by nick hunter online at alibris we have new and used copies available in 2 editions starting at 1 57 shop now

*evolutionary analysis books a la carte 5th edition* - Mar 30 2022

web evolutionary analysis 5th edition pdf version john c herron and scott freeman comments sorted by best top new controversial q a add a comment williamdseale

**evolutionary analysis 5th edition vitalsource** - Sep 04 2022

web evolutionary analysis pearson 5th edition is written by jon herron scott freeman and published by pearson the digital and etextbook isbn for evolutionary analysis

evolutionary analysis 5th edition solutions and answers quizlet - Apr 30 2022

web jan 1 2004 in contrast herron and freeman s 5th edition of evolutionary analysis 2014 does a very good if not complete job of addressing human evolution and its

evolutionary analysis 5th edition pearson - Aug 15 2023

web oct 28 2021 science biology evolution evolutionary analysis i m a student i m an educator evolutionary analysis 5th edition published by pearson october 27 2021

*evolutionary analysis request pdf researchgate* - Feb 26 2022

web sep 9 2020 evolutionary analysis 5th edition format file ebook pdf epub mobi pocket audiobook txt doc ppt jpeg chm xml azw pdb kf8 prc tpz download and

evolutionary analysis herron jon freeman scott - Jan 08 2023

web in the fifth edition co author jon herron takes the lead in streamlining and updating content to reflect key changes in the field the design and art program have also been

**evolutionary analysis 5th edition textbook solutions bartleby** - Jul 02 2022

web buy evolutionary analysis looseleaf 5th edition 9780321928160 by jon c herron for up to 90 off at textbooks com

[read book pdf evolutionary analysis 5th edition full pdf](#) - Dec 27 2021

web evolutionary analysis 5th edition herron freeman test bank add your review digital item no waiting time instant download isbn 10 0321616677 isbn 13 978

**evolutionary analysis looseleaf 5th edition textbooks com** - Jun 01 2022

web now with expert verified solutions from evolutionary analysis 5th edition you ll learn how to solve your toughest homework problems our resource for evolutionary

*evolutionary analysis 5th edition pearson* - Mar 10 2023

web apr 13 2015 in the 5th edition co author jon herron takes the lead in streamlining and updating content to reflect key changes in the field the design and art program have

*evolutionary analysis 5th edition etextbook subscription* - Jul 14 2023

web oct 28 2021 the 5th edition offers streamlined updated content to reflect key changes in the field highlights of new and updated content include newer thinking on how hiv

*evolutionary analysis jon c herron scott freeman google* - Dec 07 2022

web apr 13 2015 evolutionary analysis global edition 5th edition published by pearson april 12 2015 2015 scott freeman university of washington jon c herron

[request evolutionary analysis 5th edition r textbookrequest](#) - Nov 25 2021

web jul 29 2013 in the fifth edition co author jon herron takes the lead in streamlining and updating content to reflect key changes in the field the design and art program have

**evolutionary analysis 5th global edition e book** - May 12 2023

web in the fifth edition co author jon herron takes the lead in streamlining and updating content to reflect key changes in the field the design and art program have also been

[evolutionary analysis 5th edition pdf version r textbookrequest](#) - Jan 28 2022

web request evolutionary analysis 5th edition the textbook is by jon c herron and scott freeman thank you in advance for any help comments sorted by best top new

*evolutionary analysis jon c herron scott freeman google* - Sep 23 2021

**evolutionary analysis files pearsoned de** - Oct 05 2022

web evolutionary analysis 5th edition is written by jon c herron scott freeman and published by pearson the digital and etextbook isbns for evolutionary analysis are

**evolutionary analysis amazon com** - Jun 13 2023

web in the fifth edition co author jon herron takes the lead in streamlining and updating content to reflect key changes in the field the design and art program have also been

[evolutionary analysis global edition google books](#) - Feb 09 2023

web the authors convey the excitement and logic of evolutionary science by introducing principles through recent and classical studies and by emphasizing real world

*evolutionary analysis scott freeman jon c herron google* - Apr 11 2023

web aug 12 2013 etextbook what s on the inside just might surprise you they say you can t judge a book by its cover it s the same with your students meet each one right where

**evolutionary analysis global edition 5th edition pearson** - Nov 06 2022

web evolutionary analysis fifth edition jon c herron scott freeman herron freeman this is a special edition of an established title widely used by colleges and universities

**evolutionary analysis pearson 5th edition vitalsource** - Aug 03 2022

web textbook solutions for evolutionary analysis 5th edition 5th edition jon c herron and others in this series view step by step homework solutions for your homework ask our

**evolutionary analysis 5th edition herron freeman test bank** - Oct 25 2021

**how to download wattpad stories in txt file on computer pc** - Feb 26 2022

web step1 enter this website m wattpad com step2 click read offline step3 enter the wattcode of the story you can find its wattcode at the right corner of the screen of the story step4 select phone type if it appears because some cp doesn t appears like mine step5 click see other parts

**easy way to download wattpad story to pdf epub mobi txt** - Mar 10 2023

web may 20 2021 isummersoft wattpad converter allows you to download the wattpad story to a corresponding pdf or epub mobi docx txt book isummersoft wattpad converter compatibility os windows mac used wattpad story downloader wattpad story ebooks to pdf converter output file format epub mobi txt docx and pdf

*formatting your story help center* - Dec 07 2022

web wattpad follow every story is unique and to showcase this it can be fun to play around with different font styles and alignments to personalize your story on the writing page you can add bold italics and underlining align your text to the right left or center

**dokumen tips wattpad stories soft copies remembering a wattpad** - Jul 02 2022

web wattpad soft copies book pwede pong manghingi ng soft copy kahit anu pong magandang story tnx still remember that

we do actually have a group and naka list of soft copies txt scribd scribd com doc 190674842 list of soft copies txt list of soft copies in wattpad upload log in finished stories

**list of soft copies pdf scribd** - Feb 09 2023

web list of soft copies in wattpad copyright attribution non commercial by nc available formats download as txt pdf txt or read online from scribd flag for inappropriate content download now of 4 finished stories

**how to copy stories on wattpad pdf online services** - Jun 01 2022

web how to copy stories on wattpad free download as text file txt pdf file pdf or read online for free hello this is a easy way to download any stories in wattpad

soft copies labydaby wattpad - Apr 11 2023

web here you can find a free soft copies of our favorite authors pdf files txt format and docx format credits goes to our favorite authors

*wattpad ebook reader s soft copy story free avail here* - Jan 08 2023

web about this group [soft copy story free avail here](#) if you want to read some soft copies story just join us here rules and regulations for wattpad ebook reader s soft copy story free avail here

writing and wattpadding a guide format paragraphs chapters wattpad - Nov 06 2022

web writing and wattpadding a guide non fiction in here i will cover many different topics about writing such as coming up with story ideas and getting those ideas to morph into a story i will also discuss becoming a productive member of wattpad the secrets to getting reads how to act pro

**how to copy text from wattpad isummersoft** - Apr 30 2022

web sep 5 2021 step 1 find the wattpad books you want to copy text from and just read it step 2 in the reading mode check the link url and you ll see some numbers before the chapter name as below step 3 to enable the phone mode just replace the in m wattpad com m 1 with the numbers you find in the above step

**how can i have a pdf soft copy from wattpad ask me fast** - Mar 30 2022

web pdf soft copy of wattpad stories can i still download a soft copy a wattpad story even though it is already been published as a book wattpad reader here i m using myphone t23 duo and i wanna read stories from wattpad by soft copies but the files are cannot be read what should i do wattpad2any online

**wattpad story with soft copy text format speakings gestamp** - Dec 27 2021

web jun 14 2023 documents of this wattpad story with soft copy text format by online if you ally way such a referred wattpad story with soft copy text format books that will find the money for you worth obtain the definitely best seller from us nowfrom several preferred authors you could quickly fetch this wattpad story with soft copy text format after

*authors with soft copies lm wattrpad* - May 12 2023

web apr 3 2013 here you can find a free soft copies of our favorite authors pdf files txt format and docx format credits goes to our favorite authors

authors with soft copies soft copies wattrpad - Aug 15 2023

web authors with soft copies teen fiction here you can find a free soft copies of our favorite authors pdf files txt format and docx format credits goes to our favorite authors

**soft copy available free tjpotz wattrpad** - Sep 04 2022

web 72 2k 770 50 it all started with a deal with her friends lokohin haggang ma in love si michael salmonte until one day the table had already turn and she found herself in love with him and the saddest part is that he doesn t feel the same way she left to move on but 10 years later she is still in love with the magician who chang

**soft copy namimigay sila ng soft copy khulezellen wattrpad** - Jul 14 2023

web here you can find a free soft copies of our favorite authors pdf files txt format and docx format credits goes to our favorite authors

how to copy text from wattrpad z3kit - Aug 03 2022

web there are 3 ways to copy text from wattrpad 1 select text and darg 2 disable javascript to copy text 3 use z3kit wattrpad downloader

**best author with softcopies softcopies page 1 wattrpad** - Oct 05 2022

web wattrpad stories softcopies collections of soft copies bhabyqurl021stories weebly com sjmcarmenta jimdo com download stories haveyouseenthisgirl yolasite com download story php peterpan26 yolosite com purpleyhanstories yolasite com whenitcomestolove webs com downloads

softcopies cloeshee wattrpad - Jun 13 2023

web here you can find a free soft copies of our favorite authors pdf files txt format and docx format credits goes to our favorite authors

**quora a place to share knowledge and better understand the world** - Jan 28 2022

web we would like to show you a description here but the site won t allow us