

ISA Bus Timing (2-clock)

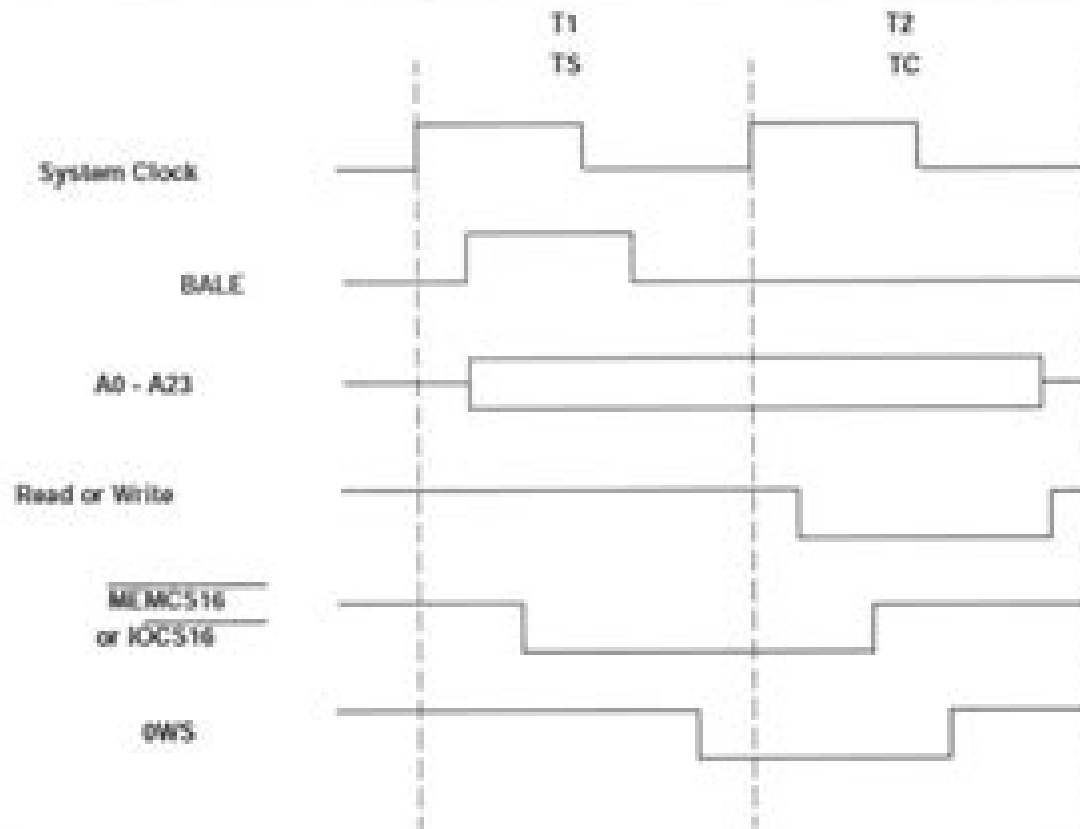


Figure 27-3. Use of OWS in 286/386/486/Pentium ISA Bus for 2-Clock Bus Cycle
(Reprinted by permission of Intel Corporation, Copyright Intel, 1992)

Isa Bus Timing Diagrams

DJ Losen



Isa Bus Timing Diagrams:

Discover tales of courage and bravery in Crafted by is empowering ebook, **Isa Bus Timing Diagrams** . In a downloadable PDF format (Download in PDF: *), this collection inspires and motivates. Download now to witness the indomitable spirit of those who dared to be brave.

https://py.bijouxmedusa.com/public/Resources/HomePages/dashiell_hammett_red_harvest_the_dain_curse_the_maltese_falcon_the_glass_key_the_thin_man.pdf

Table of Contents Isa Bus Timing Diagrams

1. Understanding the eBook Isa Bus Timing Diagrams
 - The Rise of Digital Reading Isa Bus Timing Diagrams
 - Advantages of eBooks Over Traditional Books
2. Identifying Isa Bus Timing Diagrams
 - Exploring Different Genres
 - Considering Fiction vs. Non-Fiction
 - Determining Your Reading Goals
3. Choosing the Right eBook Platform
 - Popular eBook Platforms
 - Features to Look for in an Isa Bus Timing Diagrams
 - User-Friendly Interface
4. Exploring eBook Recommendations from Isa Bus Timing Diagrams
 - Personalized Recommendations
 - Isa Bus Timing Diagrams User Reviews and Ratings
 - Isa Bus Timing Diagrams and Bestseller Lists
5. Accessing Isa Bus Timing Diagrams Free and Paid eBooks
 - Isa Bus Timing Diagrams Public Domain eBooks
 - Isa Bus Timing Diagrams eBook Subscription Services
 - Isa Bus Timing Diagrams Budget-Friendly Options

6. Navigating Isa Bus Timing Diagrams eBook Formats
 - ePub, PDF, MOBI, and More
 - Isa Bus Timing Diagrams Compatibility with Devices
 - Isa Bus Timing Diagrams Enhanced eBook Features
7. Enhancing Your Reading Experience
 - Adjustable Fonts and Text Sizes of Isa Bus Timing Diagrams
 - Highlighting and Note-Taking Isa Bus Timing Diagrams
 - Interactive Elements Isa Bus Timing Diagrams
8. Staying Engaged with Isa Bus Timing Diagrams
 - Joining Online Reading Communities
 - Participating in Virtual Book Clubs
 - Following Authors and Publishers Isa Bus Timing Diagrams
9. Balancing eBooks and Physical Books Isa Bus Timing Diagrams
 - Benefits of a Digital Library
 - Creating a Diverse Reading Collection Isa Bus Timing Diagrams
10. Overcoming Reading Challenges
 - Dealing with Digital Eye Strain
 - Minimizing Distractions
 - Managing Screen Time
11. Cultivating a Reading Routine Isa Bus Timing Diagrams
 - Setting Reading Goals Isa Bus Timing Diagrams
 - Carving Out Dedicated Reading Time
12. Sourcing Reliable Information of Isa Bus Timing Diagrams
 - Fact-Checking eBook Content of Isa Bus Timing Diagrams
 - Distinguishing Credible Sources
13. Promoting Lifelong Learning
 - Utilizing eBooks for Skill Development
 - Exploring Educational eBooks
14. Embracing eBook Trends
 - Integration of Multimedia Elements

- Interactive and Gamified eBooks

Isa Bus Timing Diagrams Introduction

In the digital age, access to information has become easier than ever before. The ability to download Isa Bus Timing Diagrams has revolutionized the way we consume written content. Whether you are a student looking for course material, an avid reader searching for your next favorite book, or a professional seeking research papers, the option to download Isa Bus Timing Diagrams has opened up a world of possibilities. Downloading Isa Bus Timing Diagrams provides numerous advantages over physical copies of books and documents. Firstly, it is incredibly convenient. Gone are the days of carrying around heavy textbooks or bulky folders filled with papers. With the click of a button, you can gain immediate access to valuable resources on any device. This convenience allows for efficient studying, researching, and reading on the go. Moreover, the cost-effective nature of downloading Isa Bus Timing Diagrams has democratized knowledge. Traditional books and academic journals can be expensive, making it difficult for individuals with limited financial resources to access information. By offering free PDF downloads, publishers and authors are enabling a wider audience to benefit from their work. This inclusivity promotes equal opportunities for learning and personal growth. There are numerous websites and platforms where individuals can download Isa Bus Timing Diagrams. These websites range from academic databases offering research papers and journals to online libraries with an expansive collection of books from various genres. Many authors and publishers also upload their work to specific websites, granting readers access to their content without any charge. These platforms not only provide access to existing literature but also serve as an excellent platform for undiscovered authors to share their work with the world. However, it is essential to be cautious while downloading Isa Bus Timing Diagrams. Some websites may offer pirated or illegally obtained copies of copyrighted material. Engaging in such activities not only violates copyright laws but also undermines the efforts of authors, publishers, and researchers. To ensure ethical downloading, it is advisable to utilize reputable websites that prioritize the legal distribution of content. When downloading Isa Bus Timing Diagrams, users should also consider the potential security risks associated with online platforms. Malicious actors may exploit vulnerabilities in unprotected websites to distribute malware or steal personal information. To protect themselves, individuals should ensure their devices have reliable antivirus software installed and validate the legitimacy of the websites they are downloading from. In conclusion, the ability to download Isa Bus Timing Diagrams has transformed the way we access information. With the convenience, cost-effectiveness, and accessibility it offers, free PDF downloads have become a popular choice for students, researchers, and book lovers worldwide. However, it is crucial to engage in ethical downloading practices and prioritize personal security when utilizing online platforms. By doing so, individuals can make the most of the vast array of free PDF resources available and embark on a journey of continuous learning and intellectual growth.

FAQs About Isa Bus Timing Diagrams Books

How do I know which eBook platform is the best for me? Finding the best eBook platform depends on your reading preferences and device compatibility. Research different platforms, read user reviews, and explore their features before making a choice. Are free eBooks of good quality? Yes, many reputable platforms offer high-quality free eBooks, including classics and public domain works. However, make sure to verify the source to ensure the eBook credibility. Can I read eBooks without an eReader? Absolutely! Most eBook platforms offer web-based readers or mobile apps that allow you to read eBooks on your computer, tablet, or smartphone. How do I avoid digital eye strain while reading eBooks? To prevent digital eye strain, take regular breaks, adjust the font size and background color, and ensure proper lighting while reading eBooks. What the advantage of interactive eBooks? Interactive eBooks incorporate multimedia elements, quizzes, and activities, enhancing the reader engagement and providing a more immersive learning experience. Isa Bus Timing Diagrams is one of the best book in our library for free trial. We provide copy of Isa Bus Timing Diagrams in digital format, so the resources that you find are reliable. There are also many Ebooks of related with Isa Bus Timing Diagrams. Where to download Isa Bus Timing Diagrams online for free? Are you looking for Isa Bus Timing Diagrams PDF? This is definitely going to save you time and cash in something you should think about.

Find Isa Bus Timing Diagrams :

[dashiell hammett red harvest the dain curse the maltese falcon the glass key the thin man](#)

[data mining practical machine learning tools and techniques](#)

[daily report format of a site engineer](#)

[data communications and computer networks an osi framework](#)

[defensive driving manual](#)

[descargar gratis biblia de estudio pentecostal](#)

[descargar el libro hasta que salga el sol gratis pdf epub](#)

[deep web cp links](#)

[database systems connolly exercises solutions fourth edition](#)

[day trading strategies a beginners guide to day trading](#)

[cutting edge upper intermediate workbook](#)

[dafne likes uitgeverijcarrera](#)

[dancing books](#)

de ford focus 2006
de utilizare a creierului

Isa Bus Timing Diagrams :

[solucionario la guía santillana 6 contestada](#) - Feb 08 2023

web título original 6 evaluacion diagnostica santillana cargado por mire mmtz descripción evaluación diagnostica copyright all rights reserved formatos

[examanes y evaluacion de contenidos de](#) - Aug 02 2022

web evaluacion y prueba de control de matematicas 6 primaria santillana descargar ver curso y nivel 6 primaria asignatura matematicas editorial santillana oficial

examen santillana 6 grado new theigc org - Sep 22 2021

[exámenes 6 primaria santillana 2023](#) - Jul 01 2022

web exámenes de matematicas 6 primaria santillana en esta web se puede descargar y consultar online exámenes de matematicas 6 primaria santillana actualizados

[guía santillana 6 para el alumno sexto grado 2023](#) - Apr 10 2023

web sep 4 2023 la guía santillana 6 para profesores en pdf sexto grado conozca como comprar la guía santillana 6 edición para el docente profesor en formato pdf

[evaluaciones de diagnostico santillana](#) - Jul 13 2023

web con el cuaderno de evaluación de contenidos de santillana para el 6º de primaria los docentes y los padres pueden comprobar que los temas como las potencias números

guia santillana 6 grado contestada udocz - Nov 24 2021

2023 exámenes editorial santillana prueba de evaluacion - Apr 29 2022

web descarga la guía santillana 6 para enseñar mejor a estudiantes de sexto grado incluye recursos actividades y evaluaciones actualizadas al 2023

[6 sınıf fen bilimleri testleri fen testi ÇÖz](#) - Dec 06 2022

web pruebas de evaluacion resueltas 6 primaria santillana soluciones pdf hemos subido para descargar en pdf y abrir online exámenes 6 primaria santillana con las

[exámenes 6 grado primaria descargar gratis 2023](#) - Oct 04 2022

web hemos subido para descargar en pdf y abrir online exámenes editorial santillana con cada de una de las respuestas y soluciones de las evaluaciones y test de manera oficial

[exámenes de matemáticas 6 primaria santillana 2023 - Jan 27 2022](#)

exámenes evaluaciones de matemáticas 6 primaria santillana - Feb 25 2022

web guía de uso para plataforma de evaluación escolar pleno santillana guía de examen 6 grado 3 bimestre richmond digital books download descarga la guía

exámenes santillana matemáticas 6 primaria - May 11 2023

web 6 b pelİN yarin fen sinavim var İnŞallah 100 alirim bÜtÜn sınıf arkadaŞlarima baŞarilarini dİlerİM leyla çok güzel bir site proje ödevi için

[la guía santillana 6 para profesores pdf sexto grado - Nov 05 2022](#)

web 6 sıfatlar kazanım testleri meb müfredatına uygun olarak cevapları ile hazırlanmıştır sınıf türkçe ön ad konu kavrama testleri konu dağılımı ve test sayfa bağlantıları aşağıda yer

guía santillana 6 material educativo y material didáctico - Jan 07 2023

web busca por la asignatura y curso las diferentes evaluaciones y exámenes de contenidos en la siguiente lista asignatura curso exámenes matemáticas 6 primaria ver

examen trimestral sexto grado santillana pdf homo - Jun 12 2023

web guía santillana 6 judith cardona hola cómo te va hoy te quiero platicar sobre la guía santillana 6 por si no la conoces y también si la conoces y éstas buscando la

[matemáticas 6 primaria santillana exámenes pdf descargar - Mar 09 2023](#)

web en esta sección podrás descargar los exámenes trimestrales de sexto grado de primaria totalmente actualizados en formato pdf y de forma gratuita a continuación podrás

6 sınıf testleri Çöz 2022 testleribul comonline test Çöz - Mar 29 2022

web we would like to show you a description here but the site won t allow us

[6 evaluacion diagnostica santillana pdf satélite natural scribd - Sep 03 2022](#)

web 6 sınıf testleri için birçok kitap almanıza gerek bulunmuyor Öğrenciler bu sınıf düzeyinde öğrendikleri türkçe matematik İngilizce gibi derslerin konularını detaylı bir şekilde

okultestleri com - Oct 24 2021

[6 sınıf türkçe sıfatlar kazanım testleri test Çöz - May 31 2022](#)

web aug 23 2023 examen diagnostico para evaluar los conocimientos en las materias correspondientes a sexto grado
examen diagnóstico sexto grado material para maestros - Dec 26 2021

2023 exámenes 6 primaria santillana prueba de - Aug 14 2023

web visita cicloescolar mx primer y segundo grado cada mes puedes descargar en cicloescolar mx exámenes para la evaluación mensual y trimestralmente estará

ann latsky nursing college application 2024 intake - Jun 04 2022

web ann latsky nursing college application 2024 check alnc portal here for 2024 intake the ann latsky nursing college alnc application dates 2024 intake has been announced apply now before the closing dates deadline the management of the ann latsky nursing college alnc 2024 intake can be applied for online

application form 2015 d4 nursing ann latsky - Oct 08 2022

web application form 2015 d4 nursing ann latsky nurse training intakes 2015 in gauteng south africa april 30th 2018 the latest nurse training intakes for 2015 are available in gauteng south africa the applications can be delivered at

application form 2015 d4 nursing ann latsky pdf article - Jan 11 2023

web application form 2015 d4 nursing ann latsky pdf 1 1 downloaded from download sbrick com on january 20 2023 by guest application form 2015 d4 nursing ann latsky pdf right here we have countless books application form 2015 d4 nursing ann latsky pdf and collections to check out we additionally come up with the money for

ann latsky nursing college admission application form - Jan 31 2022

web oct 2 2023 are you looking for a way to apply for admission into the ann latsky nursing college if yes then this informative article is for you in this article you will be given detailed information about ann latsky nursing college admission requirements how to apply and courses offered at the institution ann latsky application form

[application form 2015 d4 nursing ann latsky american](#) - Feb 12 2023

web the publication application form 2015 d4 nursing ann latsky that you are looking for it will enormously squander the time however below as soon as you visit this web page it will be consequently no question easy to get as with ease as download guide application form

application form 2015 d4 nursing ann latsky full pdf - Jun 16 2023

web application form 2015 d4 nursing ann latsky application form 2015 d4 nursing ann latsky 2 downloaded from smcapproved com on 2022 12 13 by guest ecological approach offers links between brain structure and function and critical environmental influences and the development of these specific disorders the book s findings and theories help to

ann latsky nursing school application forms - Mar 13 2023

web may 4th 2018 application form 2015 d4 nursing ann latsky application form 2015 d4 nursing ann latsky education by hartlepool sixth form college file size 18 57 mb nursing training programme 2017 at gauteng dept of health

[2015 dgs kılavuz ve başvuru bilgileri osym gov tr](#) - Dec 10 2022

web 2015 dgs kılavuzu genel bilgiler temel İlke ve kurallar tablo 1 merkezi yerleştirme İle dikey geçiş yapılacak yükseköğretim lisans programları tablo 1 de yer alan yükseköğretim lisans programlarının koşul ve açıklamaları [ann latsky nursing school application forms](#) - Apr 14 2023

web forms nursing intake 2018 ann latsky college application forms application form 2015 d4 nursing ann latsky buysms de ann latsky nursing school application forms ankrumax de bursary opportunity for 2018 2019 gauteng nurse intake bursary ann latsky nursing school application forms pdf download requirements ann latsky

ebook application form 2015 d4 nursing ann latsky pdf - Nov 09 2022

web as this application form 2015 d4 nursing ann latsky pdf it ends up swine one of the favored ebook application form 2015 d4 nursing ann latsky pdf collections that we have this is why you remain in the best website to see the amazing ebook to have an evidence framework for genetic testing national academies of sciences

[application form 2015 d4 nursing ann latsky pdf uniport edu](#) - Jul 17 2023

web apr 7 2023 application form 2015 d4 nursing ann latsky 1 12 downloaded from uniport edu ng on april 7 2023 by guest application form 2015 d4 nursing ann latsky this is likewise one of the factors by obtaining the soft documents of this application form 2015 d4 nursing ann latsky by online you might not require

[application form 2015 d4 nursing ann latsky](#) - Aug 06 2022

web application form 2015 d4 nursing ann latsky nurse training intakes 2015 in gauteng south africa nurse training intakes 2015 in gauteng south africa april 30th 2018 the latest nurse training intakes for 2015 are available in gauteng south africa the applications can be delivered at nursing colleges of gauteng the following nursing

ann latsky nursing college application form 2024 online - Aug 18 2023

web jan 27 2023 ann latsky nursing college application form 2024 the ann latsky nursing college as well as the south african nursing council sanc online admission application form for prospective candidates that seek admission into the ann latsky nursing college for the 2024 academic year has released

application form 2015 d4 nursing ann latsky pdf - Sep 07 2022

web 2 application form 2015 d4 nursing ann latsky 2020 06 09 application form 2015 d4 nursing ann latsky downloaded from controlplane themintgaming com by guest zachary anna clinical teaching strategies in nursing fourth edition emerald group publishing this core text for the dnp curriculum explores the historical and evolving

[application form 2015 d4 nursing ann latsky](#) - Jul 05 2022

web continued research and new applications to everyday persuasion the fundamentals of the book emphasis on theory clear cut explanation of findings in depth discussion of persuasion processes and effects and easy to follow real world applications continue in the sixth edition the american stravinsky gayle murchison 2012 02 21

ann latsky nursing college application form 2023 2024 - Mar 01 2022

web ann latsky nursing college application form 2023 2024 ann latsky nursing college application form for 2023 2024 admission is now available if you want to obtain the ann latsky nursing college application form you must first learn about the entrance requirements for the academic year 2023 2024

ann latsky nursing school application forms housing gov mv - May 15 2023

web ann latsky nursing school application forms pdf download ann latsky nursing college application forms 2015 default ann latsky nursing school application forms cetara de application form 2015 d4 nursing ann latsky buysms de housing gov mv 2 17

ann latsky nursing school application forms - Sep 19 2023

web application form 2015 d4 nursing ann latsky ann latsky nursing college application prospectus in april 22nd 2018 ann latsky nursing college application ann latsky nursing college *application form 2015 d4 nursing ann latsky pdf* - May 03 2022

web application form 2015 d4 nursing ann latsky downloaded from mail botswanalaws com by guest singh mcdaniel psychiatric mental health nursing springer publishing company *application form 2015 d4 nursing ann latsky* - Apr 02 2022

web application form 2015 d4 nursing ann latsky author online kptm edu my 2023 09 26 22 02 35 subject application form 2015 d4 nursing ann latsky keywords application form 2015 d4 nursing ann latsky created date 9 26 2023 10 02 35 pm

alice munro writing her lives a biography by robert thacker goodreads - Apr 11 2023

web this is the book about one of the world s great authors alice munro which shows how her life and her stories intertwine for almost thirty years robert thacker has been researching this book steeping himself in alice munro s life and work working with her co operation to make it complete

alice munro writing her lives amazon com - Aug 15 2023

web may 3 2011 this is the book about one of the world s great authors alice munro which shows how her life and her stories intertwine for almost thirty years robert thacker has been researching this book steeping himself in alice munro s life and work working with her co operation to make it complete

alice munro writing her lives a biography hardcover amazon ca - Feb 26 2022

web this is the book about one of the world s great authors alice munro which shows how her life and her stories intertwine

for almost thirty years robert thacker has been researching this book steeping himself in alice munro s life and work working with her co operation to make it complete

alice munro writing her lives a biography google books - Jul 14 2023

web may 3 2011 this is the book about one of the world s great authors alice munro which shows how her life and her stories intertwine for almost thirty years robert thacker has been researching this

alice munro writing her lives apple books - Aug 03 2022

web nov 22 2005 this is the book about one of the world s great authors alice munro which shows how her life and her stories intertwine for almost thirty years robert thacker has been researching this book steeping himself in alice munro s life and work working with her co operation to make i

alice munro and her life writing researchgate - Jan 28 2022

web mar 8 2016 uniting the talents of distinguished creative writers and noted academics david staines has put together a comprehensive exploratory account of munro s biography her position as a feminist her

alice munro writing her lives a biography review - Mar 30 2022

web jan 1 2007 it takes an autobiographical approach to address the genealogy status quo and the potential future of the floating signifier that is african cultural studies it unpacks and multiplies african

alice munro writing her lives apple books - Nov 06 2022

web nov 22 2005 this is the book about one of the world s great authors alice munro which shows how her life and her stories intertwine for almost thirty years robert thacker has been researching this book steeping himself in alice munro s life and work working with her co operation to make it complete

alice munro writing her lives a biography kindle edition - Jan 08 2023

web may 3 2011 amazon com alice munro writing her lives a biography ebook thacker robert kindle store skip to main content us delivering to lebanon 66952 choose location for most accurate options kindle store

alice munro wikipedia - Apr 30 2022

web munro began writing as a teenager publishing her first story the dimensions of a shadow in 1950 while studying english and journalism at the university of western ontario on a two year scholarship 13 14 during this period she worked as a waitress a tobacco picker and a library clerk

alice munro writing her lives a biography goodreads - Feb 09 2023

web this is the book about one of the world s great authors alice munro which shows how her life and her stories intertwine for almost thirty years robert thacker has been researching this book steeping himself in alice munro s life and work working with her co operation to make it complete

alice munro writing her lives core - Dec 07 2022

web writer of short stories in thacker s view the decisive event in munro s creative development was her return to huron county ontario which enabled her to reconnect with her original material and see it anew in more complex way

alice munro writing her lives a biography google books - Sep 04 2022

web this is the book about one of the world s great authors alice munro which shows how her life and her stories intertwine for almost thirty years robert thacker has been researching this book steeping himself in alice munro s life and work working with her co operation to make it complete

alice munro writing her lives a biography hardcover - Jul 02 2022

web this is the book about one of the world s great authors alice munro which shows how her life and her stories intertwine for almost thirty years robert thacker has been researching this book steeping himself in alice munro s life and work working with her co operation to make it complete

alice munro writing her lives penguin random house - Mar 10 2023

web alice munro writing her lives by robert thacker 9780771085109 penguinrandomhouse com books this is the book about one of the world s great authors alice munro which shows how her life and her stories intertwine

alice munro writing her lives a biography paperback - Oct 05 2022

web may 3 2011 this is the book about one of the world s great authors alice munro which shows how her life and her stories intertwine for almost thirty years robert thacker has been researching this book steeping himself in alice munro s life and work working with her co operation to make it complete

alice munro writing her lives a biography google books - May 12 2023

web may 3 2011 this is the book about one of the world s great authors alice munro which shows how her life and her stories intertwine for almost thirty years robert thacker has been researching this

amazon com customer reviews alice munro writing her lives a biography - Dec 27 2021

web the better part of it seems devoted to recording all the praise munro has ever received by editors reviewers etc no one would buy a 40 616 page book about alice munro if not already convinced that she is an extraordinary writer i didn t feel i needed to read every scrap of adulation ever accorded to her

alice munro biography works facts britannica - Jun 13 2023

web alice munro canadian short story writer who was known for exquisitely drawn narratives that reveal the depth and complexities in the emotional lives of everyday people she received the 2013 nobel prize for literature learn more about munro s life and work including her notable books and other awards

alice munro writing her lives a biography archive org - Jun 01 2022

web english 649 p 32 p of plates 23 cm thacker takes us along the parallel tracks of munro s life and her stories to bring us a thorough revealing and enriching account of both includes bibliographical references p 577 630 and index emblem edition with new chapter published 2011 verso