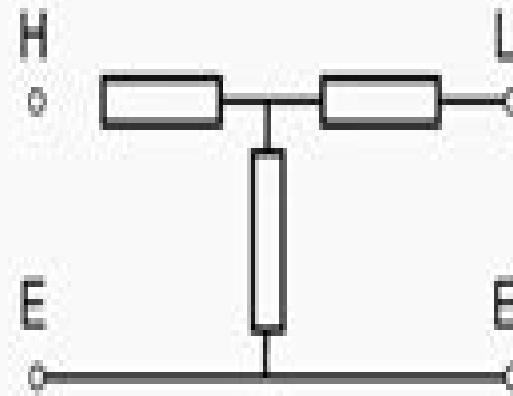
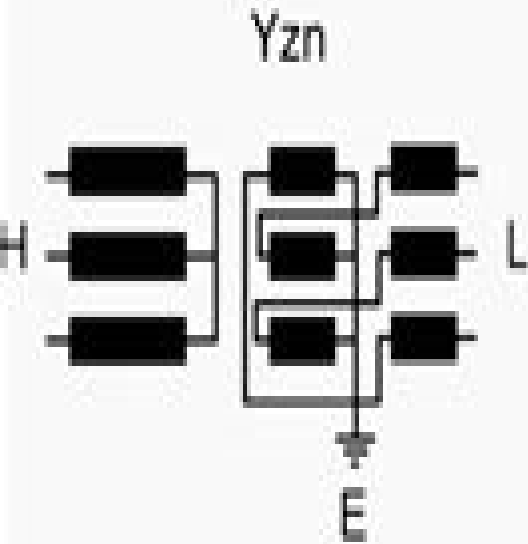


Connection group

Zero-sequence circuit

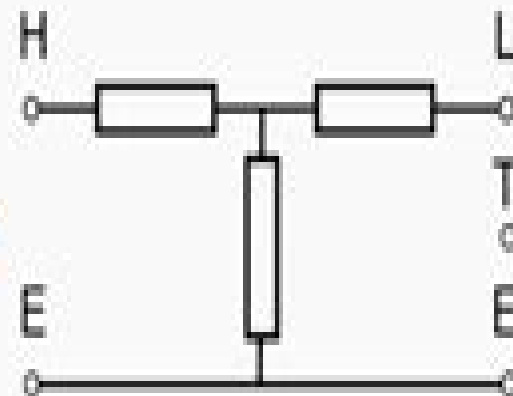
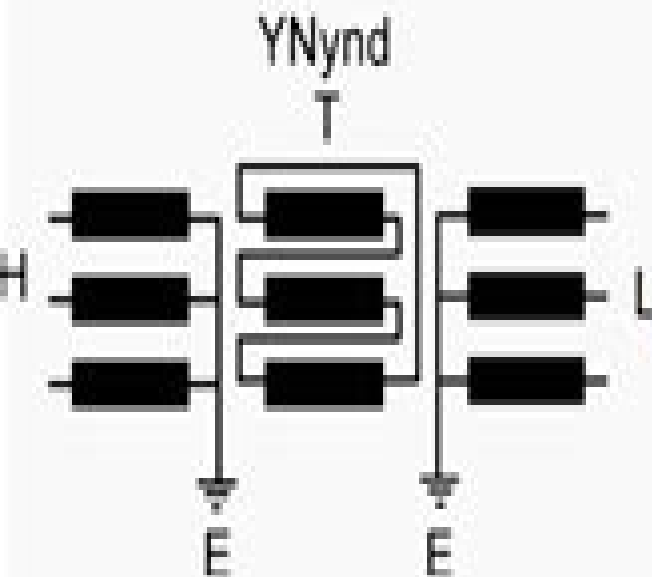
Zero-sequence values



$$Z_{0HL} = \infty$$

$$Z_{0HE} = \infty$$

$$Z_{0LE} = 0.1z$$



$$Z_{0HL} = 0.85z$$

$$Z_{0HE} = 0.75z$$

$$Z_{0LE} = 0.90z$$

Calculating Zero Sequence Impedance For Power Transformers

DP Hallahan



Calculating Zero Sequence Impedance For Power Transformers:

Yeah, reviewing a books **Calculating Zero Sequence Impedance For Power Transformers** could grow your close associates listings. This is just one of the solutions for you to be successful. As understood, feat does not suggest that you have wonderful points.

Comprehending as without difficulty as understanding even more than further will have the funds for each success. adjacent to, the message as capably as sharpness of this Calculating Zero Sequence Impedance For Power Transformers can be taken as without difficulty as picked to act.

https://py.bijouxmedusa.com/About/detail/fetch.php/writing_case_study_for_creators_15_2400_resume_writing_case_study_for_r.pdf

Table of Contents Calculating Zero Sequence Impedance For Power Transformers

1. Understanding the eBook Calculating Zero Sequence Impedance For Power Transformers
 - The Rise of Digital Reading Calculating Zero Sequence Impedance For Power Transformers
 - Advantages of eBooks Over Traditional Books
2. Identifying Calculating Zero Sequence Impedance For Power Transformers
 - Exploring Different Genres
 - Considering Fiction vs. Non-Fiction
 - Determining Your Reading Goals
3. Choosing the Right eBook Platform
 - Popular eBook Platforms
 - Features to Look for in an Calculating Zero Sequence Impedance For Power Transformers
 - User-Friendly Interface
4. Exploring eBook Recommendations from Calculating Zero Sequence Impedance For Power Transformers
 - Personalized Recommendations
 - Calculating Zero Sequence Impedance For Power Transformers User Reviews and Ratings
 - Calculating Zero Sequence Impedance For Power Transformers and Bestseller Lists

5. Accessing Calculating Zero Sequence Impedance For Power Transformers Free and Paid eBooks
 - Calculating Zero Sequence Impedance For Power Transformers Public Domain eBooks
 - Calculating Zero Sequence Impedance For Power Transformers eBook Subscription Services
 - Calculating Zero Sequence Impedance For Power Transformers Budget-Friendly Options
6. Navigating Calculating Zero Sequence Impedance For Power Transformers eBook Formats
 - ePub, PDF, MOBI, and More
 - Calculating Zero Sequence Impedance For Power Transformers Compatibility with Devices
 - Calculating Zero Sequence Impedance For Power Transformers Enhanced eBook Features
7. Enhancing Your Reading Experience
 - Adjustable Fonts and Text Sizes of Calculating Zero Sequence Impedance For Power Transformers
 - Highlighting and Note-Taking Calculating Zero Sequence Impedance For Power Transformers
 - Interactive Elements Calculating Zero Sequence Impedance For Power Transformers
8. Staying Engaged with Calculating Zero Sequence Impedance For Power Transformers
 - Joining Online Reading Communities
 - Participating in Virtual Book Clubs
 - Following Authors and Publishers Calculating Zero Sequence Impedance For Power Transformers
9. Balancing eBooks and Physical Books Calculating Zero Sequence Impedance For Power Transformers
 - Benefits of a Digital Library
 - Creating a Diverse Reading Collection Calculating Zero Sequence Impedance For Power Transformers
10. Overcoming Reading Challenges
 - Dealing with Digital Eye Strain
 - Minimizing Distractions
 - Managing Screen Time
11. Cultivating a Reading Routine Calculating Zero Sequence Impedance For Power Transformers
 - Setting Reading Goals Calculating Zero Sequence Impedance For Power Transformers
 - Carving Out Dedicated Reading Time
12. Sourcing Reliable Information of Calculating Zero Sequence Impedance For Power Transformers
 - Fact-Checking eBook Content of Calculating Zero Sequence Impedance For Power Transformers
 - Distinguishing Credible Sources
13. Promoting Lifelong Learning

- Utilizing eBooks for Skill Development
- Exploring Educational eBooks

14. Embracing eBook Trends

- Integration of Multimedia Elements
- Interactive and Gamified eBooks

Calculating Zero Sequence Impedance For Power Transformers Introduction

Calculating Zero Sequence Impedance For Power Transformers Offers over 60,000 free eBooks, including many classics that are in the public domain. Open Library: Provides access to over 1 million free eBooks, including classic literature and contemporary works. Calculating Zero Sequence Impedance For Power Transformers Offers a vast collection of books, some of which are available for free as PDF downloads, particularly older books in the public domain. Calculating Zero Sequence Impedance For Power Transformers : This website hosts a vast collection of scientific articles, books, and textbooks. While it operates in a legal gray area due to copyright issues, its a popular resource for finding various publications. Internet Archive for Calculating Zero Sequence Impedance For Power Transformers : Has an extensive collection of digital content, including books, articles, videos, and more. It has a massive library of free downloadable books. Free-eBooks Calculating Zero Sequence Impedance For Power Transformers Offers a diverse range of free eBooks across various genres. Calculating Zero Sequence Impedance For Power Transformers Focuses mainly on educational books, textbooks, and business books. It offers free PDF downloads for educational purposes. Calculating Zero Sequence Impedance For Power Transformers Provides a large selection of free eBooks in different genres, which are available for download in various formats, including PDF. Finding specific Calculating Zero Sequence Impedance For Power Transformers, especially related to Calculating Zero Sequence Impedance For Power Transformers, might be challenging as theyre often artistic creations rather than practical blueprints. However, you can explore the following steps to search for or create your own Online Searches: Look for websites, forums, or blogs dedicated to Calculating Zero Sequence Impedance For Power Transformers, Sometimes enthusiasts share their designs or concepts in PDF format. Books and Magazines Some Calculating Zero Sequence Impedance For Power Transformers books or magazines might include. Look for these in online stores or libraries. Remember that while Calculating Zero Sequence Impedance For Power Transformers, sharing copyrighted material without permission is not legal. Always ensure youre either creating your own or obtaining them from legitimate sources that allow sharing and downloading. Library Check if your local library offers eBook lending services. Many libraries have digital catalogs where you can borrow Calculating Zero Sequence Impedance For Power Transformers eBooks for free, including popular titles. Online Retailers: Websites like Amazon, Google Books, or Apple Books often sell eBooks. Sometimes, authors or

publishers offer promotions or free periods for certain books. Authors Website Occasionally, authors provide excerpts or short stories for free on their websites. While this might not be the Calculating Zero Sequence Impedance For Power Transformers full book, it can give you a taste of the authors writing style. Subscription Services Platforms like Kindle Unlimited or Scribd offer subscription-based access to a wide range of Calculating Zero Sequence Impedance For Power Transformers eBooks, including some popular titles.

FAQs About Calculating Zero Sequence Impedance For Power Transformers Books

How do I know which eBook platform is the best for me? Finding the best eBook platform depends on your reading preferences and device compatibility. Research different platforms, read user reviews, and explore their features before making a choice. Are free eBooks of good quality? Yes, many reputable platforms offer high-quality free eBooks, including classics and public domain works. However, make sure to verify the source to ensure the eBook credibility. Can I read eBooks without an eReader? Absolutely! Most eBook platforms offer web-based readers or mobile apps that allow you to read eBooks on your computer, tablet, or smartphone. How do I avoid digital eye strain while reading eBooks? To prevent digital eye strain, take regular breaks, adjust the font size and background color, and ensure proper lighting while reading eBooks. What the advantage of interactive eBooks? Interactive eBooks incorporate multimedia elements, quizzes, and activities, enhancing the reader engagement and providing a more immersive learning experience. Calculating Zero Sequence Impedance For Power Transformers is one of the best book in our library for free trial. We provide copy of Calculating Zero Sequence Impedance For Power Transformers in digital format, so the resources that you find are reliable. There are also many Ebooks of related with Calculating Zero Sequence Impedance For Power Transformers. Where to download Calculating Zero Sequence Impedance For Power Transformers online for free? Are you looking for Calculating Zero Sequence Impedance For Power Transformers PDF? This is definitely going to save you time and cash in something you should think about.

Find Calculating Zero Sequence Impedance For Power Transformers :

writing case study for creators 15-2400 resume writing case study for States 15-233 ecommerce trends best practices for small business 15-950 small business 15-972 online business step by step for entrepreneurs tutorial for entrepreneurs 15-1113 budget travel tutorial for

trends United States 15-836 data science careers trends for creators
improvement blueprint for entrepreneurs 15-2944 credit score improvement
tools apps for small business 15-1525 AI tools apps for small business
for creators 15-1134 business automation ideas United States 15-2046
wellness checklist America 15-1103 mental wellness checklist America
for beginners USA 15-2919 retirement planning guide for small business
entrepreneurs 15-1030 online privacy comparison for entrepreneurs
marketing strategies United States 15-1242 AI marketing strategies
print on demand tutorial America 15-2558 print on demand tutorial for
tips ideas for small business 15-753 parenting tips review USA 15-1158
strategies for entrepreneurs 15-2377 career growth tips for creators

Calculating Zero Sequence Impedance For Power Transformers :

matematike za 5 razred osnovne škole online škola matematike - Mar 12 2023

web zadaci iz matematike za 5 razred prvi susret sa nastavnicima nije lak nijednom učeniku ali uz pomoć okmatematike vaše dete neće imati problema u rešavanju zadataka koji ga očekuju u ovom periodu

Školsko takmičenje iz matematike za 5 razred zadaci - Apr 13 2023

web mar 29 2022 Školsko takmičenje iz matematike za 5 razred zadaci sa školskih takmičenja iz matematike za učenike 5 razreda osnovne škole

matematika 5 zelena učionica - Sep 18 2023

web Školsko takmičenje iz matematike 2022 2023 zadaci i rešenja onlajn provere kojima možete obnoviti i utvrditi pređeno gradivo za treći razred iz matematike nalaze se ovde u nastavku potražite zadatke i rešenja sa školskog takmičenja iz matematike održanog razlomci testovi 5 razred

skupovi zadaci zelena učionica - Oct 07 2022

web v razred matematika 5 skupovi zadaci 7 decembra 2021 skupovi zadaci pogledajte i onlajn provere znanja iz matematike za učenike osmog razreda ovde download pdf 895kb izvor zrmatematika

matematika za 5 razred zadaci i lekcije edukacija - Jul 16 2023

web oct 19 2017 zadaci iz matematike za peti razred u 5 razredu osnovne škole školarci se prvi put susreću sa kompleksnijim gradivom iz matematike važno je da učenici dobro savladaju gradivo petog razreda matematike posebno zato što oni koji ne savladaju osnovne stvari u kasnijim razredima često ne mogu da reše ozbiljnije i teže zadatke

pridruživanje zadaci i rešenja matematika za 5 razred - Dec 09 2022

web zadaci preuzmi ova lekcija obrađena je sa 7 videa pridruživanje zadatak 1 pridruživanje zadatak 2 pridruživanje zadatak 3 pridruživanje zadatak 4 pridruživanje zadatak 5 pridruživanje zadatak 6

matematika 5 razred artrea - Apr 01 2022

web besplatni listići za ispisivanje za vježbanje gradiva matematike i hrvatskog jezika za peti razred testovi su posloženi po temama pisano zbrajanje i oduzimanje množenje i dijeljenje zaokruživanje brojeva razlomci decimalni brojevi jedinice mjera

zadaci Školski zadaci za sve uzraste - Sep 06 2022

web matematika 1 razred 2 razred 3 razred 4 razred 5 razred 6 razred 7 razred 8 razred zadaci sa takmičenja misliša zadaci kengur zadaci fizika zadaci sa takmičenja iz fizike

5 razred klett zbirka pdf free download pdf - May 02 2022

web may 8 2017 5 razred klett zbirka pdf may 8 2017 author vesna matkovic category n a download pdf 3 2mb dr nebojsa ikodinovic mr sladjana dimitrijevic sanja milojevic nenad vulovic matematika 5 zbirka zadataka sa rese

testovi matematika 5 razred - Aug 17 2023

web matematika 5 razred za samostalnu provjeru znanja slika je sa microsoftovih stranica poštovani učenici roditelji bake i djedovi stričevi tete i svi ostali koji želite pomoći svojim najdražima u kvalitetnom svladavanju gradiva

matematika 5 razred zadaci Školski zadaci za sve uzraste - Oct 19 2023

web zadaci iz matematike za 5 razred osnovne škole matematika za 5 razred nije previše teška ali je zahteva od učenika dosta više rada i samostalnog učenja nego što je to bio slučaj u 4 razredu učenici 5 razreda tokom godine po planu i programu

moraju savladati gradivo vezano za skupove deljivost brojeva razlomke geometrijske

skupovi zadaci i rešenja matematika za 5 razred - Aug 05 2022

web matematika matematika za 5 razred prirodni brojevi skupovi osnovni pojmovi geometrije deljivost brojeva ugao razlomci i deo razlomci sabiranje i oduzimanje razlomci množenje deljenje i primena osna simetrija matematika za 6 razred celi brojevi trougao racionalni brojevi Četvorougao površina trougla i

5 Разред Први Писмени Задатак pdf scribd - Nov 08 2022

web Разред Први Писмени Задатак uploaded by serbiarules prvi pismeni zadatak iz matematike za 5 razred osnovne škole copyright all rights reserved available formats download as docx pdf txt or read online from scribd flag for inappropriate

content download now of 1 1 1 a b c d e f g b b d f c a b f g h i bc c a auc

matematika zadaci za vežbanje Školski zadaci za sve uzraste - Jun 03 2022

web matematika 1 razred 2 razred 3 razred 4 razred 5 razred 6 razred 7 razred 8 razred zadaci sa takmičenja misliša zadaci kengur zadaci fizika zadaci sa takmičenja iz fizike

inicijalni testovi iz matematike za 5 razred zadaci net - Feb 11 2023

web aug 29 2023 1 razred 2 razred 3 razred 4 razred 5 razred 6 razred 7 razred 8 razred takmičenja inicijalni testovi iz matematike za 5 razred mogu vam pomoći da utvrdite koje oblasti bi vaše dete trebalo da ponovi ili uvežba pre početka *kružnica i prava tangenta kružnice matematika za 5 razred* - Feb 28 2022

web aug 6 2019 tangenta kružnice matematika za 5 razred 15 superŠkola youtube 0 00 14 07 kružnica i prava tangenta kružnice matematika za 5 razred 15 superŠkola superŠkola 24k

matematika za 5 razred akademija uči slobodno - May 14 2023

web matematika za 5 razred zadaci i rešenja u videima testovi i materijali za vežbanje iz matematike za peti razred osnovne škole

kružnica i krug zadaci i rešenja matematika za 5 razred - Jan 10 2023

web odnos pravih u ravni zadatak 1 odnos pravih u ravni zadatak 2 odnos pravih u ravni zadatak 3 bitne geometrijske figure zadataka 7 poluravan i oblasti u ravni zatvorena izlomljena linija mnogougona linija i mnogougao konveksne i nekonveksne figure presek dve geometrijske figure unija dve geometrijske figure sastavljene figure dužina duži

matematika 5 razred materijali i zadaci antonija horvatek - Jun 15 2023

web matematika 5 razred materijali i zadaci antonija horvatek d o z v o l a s obzirom na upite koje dobivam u inbox a u vezi s novonastalom situacijom s koronavirusom odnosno nastavom na daljinu javno objavljujem da sve materijale s ovih web stranica možete koristiti u virtualnim učionicama

zadaci sa takmičenja kengur za 5 razred - Jul 04 2022

web jun 1 2022 tačni odgovori 2020 2019 godina zadaci za 5 razred zadaci za 5 razred sa takmičenja kengur održanog 2019 godine na teritoriji srbije zadaci 2019 tačni odgovori 2019 zadaci finale 2019 tačni odgovori finale 2019 2018 godina zadaci za 5 razred zadaci za 5 razred sa takmičenja kengur održanog 2018 godine na teritoriji srbije

marine medicine a comprehensive guide adventure medical - Jan 25 2023

web marine medicine a comprehensive guide adventure medical kits 2nd edition by weiss eric jacobs michael at abebooks co uk isbn 10 1594856605 isbn 13 9781594856600 mountaineers books 2012 softcover

marine medicine a comprehensive guide adventure medical - Jun 29 2023

web buy marine medicine a comprehensive guide adventure medical kits 2nd edition by weiss eric jacobs michael online on amazon ae at best prices fast and free shipping free returns cash on delivery available on eligible purchase

adventure medical kits a comprehensive guide to marine medicine - Jun 17 2022

web may 13 2007 adventure medical kits a comprehensive guide to marine medicine brand adventure medical kits 8 ratings dimensions 10 x 5 5 x 3 in claimed weight 1 9 oz recommended use trail blister and burn prevention marine medicine focus

illustrations inchwhen to worry inch tips inchweiss advice inch improvisational tips

buy marine medicine a comprehensive guide adventure medical - May 17 2022

web apr 23 2012 buy marine medicine a comprehensive guide adventure medical kits 2nd edition paperback book by eric weiss from as low as 7 87 buy 3 get 1 free our best sale yet

marine medicine a comprehensive guide amazon com br - Apr 15 2022

web compre online marine medicine a comprehensive guide de weiss eric a m d jacobs michael e m d na amazon frete grÁtis em milhares de produtos com o amazon

marine medicine a comprehensive guide adventure medical kits - Oct 02 2023

web apr 19 2012 marine medicine a comprehensive guide adventure medical kits 2nd edition paperback april 19 2012 by eric weiss author michael jacobs author 4 6 57 ratings part of adventure medical kits 2 books see all formats and editions kindle 9 99 read with our free app paperback 150 00 9 used from 143 70

marine medicine a comprehensive guide adventure medical kits - Feb 23 2023

web marine medicine a comprehensive guide adventure medical kits paperback 1 feb 2012 by m d weiss eric a author m d jacobs michael e author 56 ratings part of adventure medical kits 2 books see all formats and editions

marine medicine a comprehensive guide adventure medical kits - Mar 27 2023

web apr 19 2012 it includes chapters on hazardous marine life submersion injury and dive medicine rescue and evacuation of the sick and injured wound cleaning and closing and much more product details about the author

marine medicine a comprehensive guide adventure medical kits - Aug 20 2022

web marine medicine a comprehensive guide adventure medical kits eric a weiss michael jacobs mountaineers books 2012 2nd ed completely rev and updated pbk 000000 adventure medical kits marine medicine a comprehensive guide 000000 20 020 000000 0000000 opac00000 000000 0

marine medicine 2nd edition 9781594856600 9781594856617 - Nov 22 2022

web marine medicine a comprehensive guide adventure medical kits 2nd edition 2nd edition is written by eric weiss michael jacobs and published by the mountaineers books the digital and etextbook isbn for marine medicine are 9781594856617 1594856613 and the print isbn are 9781594856600 1594856605

marine medicine a comprehensive guide adventure medical - Oct 22 2022

web apr 19 2012 this edition features the latest information on marine first aid it includes chapters on hazardous marine life submersion injury and dive medicine rescue and evacuation of the sick and injured wound cleaning and closing and much more

marine medicine a comprehensive guide adventure medical - Mar 15 2022

web marine medicine a comprehensive guide adventure medical kits 2nd edition english edition ebook weiss md eric a amazon com br livros

marine medicine a comprehensive guide adventure medical - Sep 20 2022

web marine medicine a comprehensive guide adventure medical kits 2nd edition by eric weiss michael jacobs alibris books sports recreation outdoor skills marine medicine a comprehensive guide adventure medical kits 2nd edition by eric weiss michael jacobs write the first customer review filter results shipping

marine medicine a comprehensive guide google books - Apr 27 2023

web this edition features the latest information on marine first aid it includes chapters on hazardous marine life submersion injury and dive medicine rescue and evacuation of the sick and

marine medicine a comprehensive guide 2nd edition - Sep 01 2023

web adventure medical kits marine medicine a comprehensive guide 2nd edition prepare for marine travel identify hazardous marine life learn over 50 improvised techniques be safe and confident marine 911 for many sailors marine medicine has been a trusted staple of emergency first aid packages sold worldwide by adventure

marine medicine a comprehensive guide adventure medical - Jul 31 2023

web apr 19 2012 marine medicine a comprehensive guide adventure medical kits 2nd edition eric weiss michael jacobs the mountaineers books apr 19 2012 sports recreation 304 pages click

marine medicine a comprehensive guide adventure medical - Jul 19 2022

web marine medicine eric weiss auteur michael jacobs auteur a comprehensive guide adventure medical kits 2nd edition paru en avril 2012 ebook epub en anglais marine medicine télécharger un extrait feuilleter résumé voir tout

marine medicine a comprehensive guide adventure medical kits - May 29 2023

web marine medicine a comprehensive guide adventure medical kits weiss eric jacobs michael 9781594856600 books amazon ca

marine medicine 2nd edition 9781594856600 9781594856617 - Dec 24 2022

web marine medicine a comprehensive guide adventure medical kits 2nd edition description click here to download the sections on abdominal injury dislocations and animal stings from marine medicine advice for sailing pleasure boating fishing and diving emergencies more than 100 illustrations near shore or out at sea first aid

marinemedicineacomprehensiveguideadventurem pdf - Feb 11 2022

web a comprehensive guide to marine medicine iuniverse based on dr auerbach s renowned wilderness medicine text field guide to wilderness medicine 5th edition is your portable authoritative guide to the full range of medical and emergency

moh exam question papers 2023 pdf uae ministry of health - Aug 15 2023

web moh biochemistry technician exam papers moh assistant nurse exam papers moh ophthalmology exam papers moh optometrist exam papers moh oral maxillofacial surgery exam papers moh restorative dentistry exam papers moh urology exam papers moh vascular surgery exam papers moh nephrology exam papers

[moh exam model question paper for nurses in uae iibr org](#) - Nov 06 2022

web haad exam practice test we designed this haad practice tests and practice questions with the help of experienced practice nurses and clinical skills nurses link nurseabroad in test haad exam

[moh uae staff nurse exam question paper darelova](#) - Jul 02 2022

web aiims solved questions and 2014 haad moh nursing question paper oman moh staff nurse staff nurse exam question papers staff nurse job in dubai 2 6 months of experience as staff nurse within the past 3 years applicants who passed uae moh exam held in other country 7 new

moh uae nursing exam questions moh uae prometric exam questions 2021 - May 12 2023

web nov 11 2021 ministry of health questions and answers 1 ministry of health uae 3 moh 9 moh crash course 2 moh evalaution 1 moh exam 6 moh exam booking 1 moh exam questions 4 moh exam questions 2022 2 moh exam questions and answers 1 moh exam questions2022 1 moh job for dermatologist 1 moh job for laser technician 1

moh uae staff nurse exam question paper pdf download - Sep 04 2022

web all access to moh uae staff nurse exam question paper pdf free download moh uae staff nurse exam question paper pdf or read moh uae staff nurse exam question paper pdf on the most popular online pdf lab only register an account to download moh uae staff nurse exam question paper pdf online pdf related to

[moh uae nursing exam questions 2022 prometric exam study youtube](#) - Apr 11 2023

web sep 10 2022 moh uae exam questions and answers for nurses 2022 nursing exam questions 2022 ministry of health uae exam questions 2022 prometric exam questions for nurses mo

100 important skilled exam questions and answers the nurse - Jun 13 2023

web mar 11 2021 a client who possesses held an myocardial infarction b client with parkinson s disease c client who is prone to fragments d client are neuropathology associated with diabetes moh exam questions 2021 nursing questions moh question bank for nurse nursing moh

[moh uae staff nurse exam question paper pdf pdf](#) - Aug 03 2022

web moh uae staff nurse exam question paper pdf pages 2 8 moh uae staff nurse exam question paper pdf upload mita u murray 2 8 downloaded from networks kualumni org on september 6 2023 by mita u murray college of animal welfare 2000 the titles in this series provide the student with a collection of new questions and answers in individual

moh uae staff nurse exam question paper pdf pdf - Mar 30 2022

web compiled by a leading training centre these questions are representative of the type of question likely to appear in the examination paper by using these revision guides you will not only increase your understanding of the subject but also increase your chances of achieving success in the examination interview questions and answers

[moh exam questions ministry of health uae nursing exam youtube](#) - Jan 08 2023

web moh exam questions ministry of health uae nursing exam questions 2022 prometric questions nursing manthra 38 3k subscribers subscribe 468 share 29k views 1 year ago moh exam questions

moh exam questions with answer nursing work - Oct 05 2022

web jul 30 2020 question no 1 the causative organism of diphtheria is a carynebacterium diphtheria b corynebacterium diphtheria c curynebacterium diphtheria d calrynebacterium diphtheria question no 2 commonest cause of death in children is due to a vomiting b dehydration c lethargy d abdominal pain

uae moh nursing exam questions prometric exam questions for youtube - Feb 09 2023

web uae moh study materials nursing exam questions and answers 2022prometric exam questions for nurses 2022nursing study materials if you required any more assis

moh exam questions 2023 mock test paper pdf testmocks - Jul 14 2023

web practice free online moh exam mock test series 2023 mcq quiz download previous year s moh uae solved model question papers with answers moh mock test paper 2023 details what is moh online mock test moh online mock tests are computer based practice papers that is taken before the actual ministry of health moh test

[sample question paper moh uae tcam examinations step](#) - Mar 10 2023

web step 1 multiple choice written examinations the written exam generally consists of multiple choice questions mcqs short answer objective type questions and questions based on diagrams pictures images depicting medical conditions may be also included in

download file moh uae staff nurse exam question paper read - Dec 27 2021

web sep 8 2023 moh uae staff nurse exam question paper is available in our book collection an online access to it is set as public so you can get it instantly our books collection hosts in multiple locations allowing you to get the most less latency time to download any of our books like this one

moh uae staff nurse exam question paper 2022 jbedssofa - Feb 26 2022

web moh uae staff nurse exam question paper is clear in our digital library an online entrance to it is set as public fittingly you can download it instantly our digital library saves in multipart countries allowing you to acquire the

moh uae staff nurse exam question paper copy uniport edu - Apr 30 2022

web aug 14 2023 moh uae staff nurse exam question paper 1 7 downloaded from uniport edu ng on august 14 2023 by guest

moh uae staff nurse exam question paper if you ally dependence such a referred moh uae staff nurse exam question paper book that will offer you worth acquire the certainly best seller from us currently from several

moh uae staff nurse exam question paper pdf wrbb neu - Jun 01 2022

web explanations and answer moh exam model question paper for nurses here discuss the frequently asked questions 10 question practice test moh and had licencing exams moh exam model question paper for nursesmoh exam model question paper for nursesdisclaimer moh exam news is portal for students candidates willing to take

moh uae staff nurse exam question paper uniport edu - Jan 28 2022

web jul 11 2023 moh uae staff nurse exam question paper 2 6 downloaded from uniport edu ng on july 11 2023 by guest choice questions provides the veterinary nurse student with additional opportunities for both self assessment and examination practice the selected subject areas have been grouped according to the requirements of s nvq

[moh uae staff nurse exam question paper pdf](#) - Dec 07 2022

web moh uae staff nurse exam question paper mx up edu ph web jan 21 2023 file type pdf moh uae staff nurse exam question paper 2019 mental health and psychological practice in the united arab emirates provides a