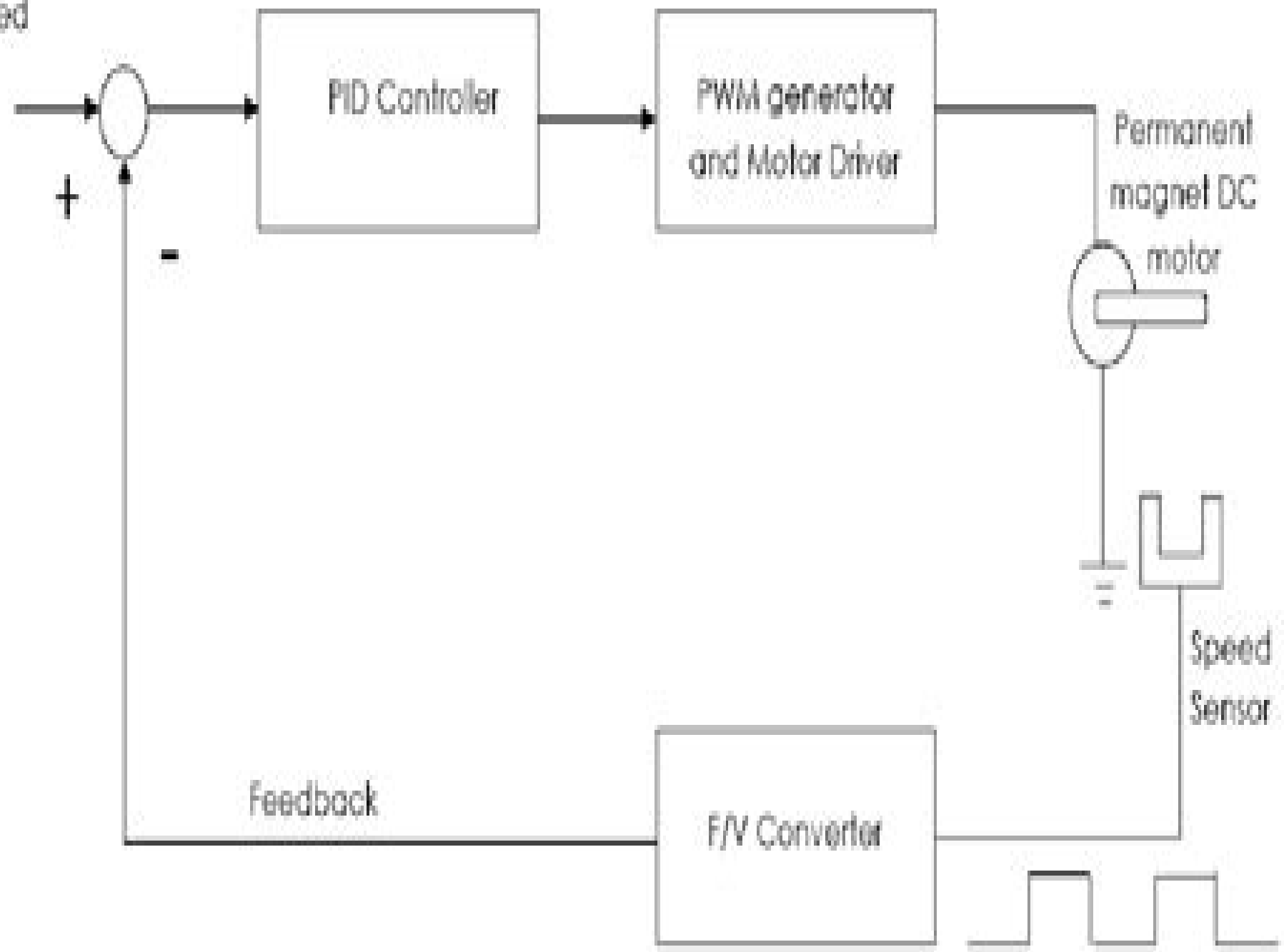


reference

Speed



Dc Motor Speed Control Using Pid Controllers

Sharon Peterus



Dc Motor Speed Control Using Pid Controllers:

PID Digital Controller for DC Motor Speed Using MC68HC11 Microcontroller Sharon Peterus,2008 The proportional integral derivative PID controllers are widely used in many industrial control systems for several decades since Ziegler and Nichols proposed their first PID tuning method This is because the PID controller structure is simple and its principle is easier to understand than most other advanced controllers On the other hand the general performance of PID controller is satisfactory in many applications For these reasons the majority of the controllers used in industry are of PI PID type PID controllers are widely used for process control applications requiring very precise and accurate control The purpose of the motor speed controller is to take a signal representing the demanded speed and to drive a motor at that speed The controller does not actually measure the speed of the motor Thus it is called an Open Loop Speed Controller Motors come in a variety of forms and the speed controller s motor drive output will be different dependent on these forms The speed controller presented here is designed to drive special dc motor which is not easily available anywhere in store thus it is a good example to be used due to the special characteristics and parameters Matlab Simulink is an important tool used it this project from designing the mathematical model of the dc motor obtaining the transfer function and designing the PID controller using both model and programming using m files The transfer function will be linearized and used for tuning the gain of PID controller like KP KI and KD Simulink is chosen to simulate the performance of the control system

Speed Control of DC Motor Using PID Controller Implementation with Visual Basic Nurul Izzati Pandak Jabo,2008 The project focused on speed control of DC motor The main objective is to design and develop GUI software for speed control experiment where PID controllers design approaches has been applied The controllers have been designed and the system is simulated using MATLAB to analyze their initial performance The computer is connected to DC Motor via data acquisition card DAQ Card and Visual Basic is used to conduct the experiment Field testing is implemented to compare the results between the original and modified system with the PID controller Finally the performance of the system is analyzed and validation is done in terms of time response robustness and percentage of error

Control and Information Sciences I. Thirunavukkarasu,Roshan Kumar,2024-10-28 This book presents the select proceedings of the Control Instrumentation and System Conference CISCON 2023 held at Manipal Institute of Technology MAHE Manipal It examines a broad spectrum covering the latest trends in instrumentation sensors and systems and industrial automation and control The topics covered include image and signal processing robotics renewable energy power systems and power drives performance attributes of MEMS multi sensor data fusion machine learning optimization techniques process control safety monitoring safety critical control supervisory control system modeling and virtual instrumentation The book is a valuable reference for researchers and professionals interested in sensors adaptive management automation and control and allied fields

Practical Control Engineering for Mechatronics and Automation Fernando Martell,Irma Y. Sanchez,2024-06-14 Production processes and

engineered systems use continuous and discrete variables as well as the combination of continuous and sequential operations. This volume covers both aspects thus providing knowledge in continuous and discrete control logic control and hybrid control systems. It is a compilation of selected control strategies to automate processes and systems with a practical approach to ease their design analysis and implementation. The selection of the control schemes is based on the capability to provide desired dynamical response or real time performance. Practicality is required for achieving faster development times of automation projects or system prototypes by comprehensive presentation and direct application of methodologies and techniques for efficient and structured programming of control algorithms. Considered methodologies include model based design hardware in the loop simulations and structured programming. Fundamental signals and systems concepts are explained. Systems and controllers are analyzed using discrete time equations which ease their implementation in most programmable platforms without requiring sophisticated software. PID based control, internal model control and model reference control are viewed as powerful schemes in terms of performance and suitability for mechatronics systems because of the use of the model in their architecture as a key control element. Finite state machines are presented to solve sequential requirements of direct and supervisory control of many processes and machines. Cyberphysical systems are an industrial technology and an education trend distinguished by visual and dynamic models or digital twins of the physical systems. The discussed analysis, design and implementation practices are integrated and applied in the context of cyberphysical systems. This book aims to provide multidisciplinary support to engineers and practitioners in the design of control systems and is a valuable tool for automation teaching and self learning.

Speed Control of DC Motor Using PID Controller Implementation with PLC

Muhammad Ezra-Ezwan Mat Aris, 2008. The idea of motor speed control is to keep the rotation of the motor at the set speed. When used in speed applications, speed feedback control the DC motor's speed or confirms that the motor is rotating at the desired speed. To maintain the speed it requires the speed feedback at all times. The objective of this project is to use the algorithm of Proportional Integral Derivative PID controller to control the speed of the DC motor using Programmable Logic Controller PLC implementation. The used of PLC in this project will help to reduce complexity and easy to troubleshoot. The model of PLC which is used in this project is OMRON CQM1H CPU51 and the program for this controller system is in ladder diagram CX programmer. The PID is implemented in the PLC program so that the system has a better response and less error. Finally analysis of the response is made after the PID is implemented into the system.

Fractional Calculus - From Theory to Applications Christos Volos, Jesus Manuel Munoz-Pacheco, 2025-05-28. Over the last decade research activity in the field of fractional calculus has surged resulting in applications across a wide range of scientific disciplines. From the physics of diffusion and transport phenomena to control theory and financial systems fractional calculus has proven valuable in numerous domains capturing the interest of the scientific community. Therefore this book comprises six chapters each with the purpose of providing a brief overview of the subject of fractional calculus and its recent developments in theory and

applications This book aims to serve as an updated and handy reference for university professors graduate students laboratory researchers as well as physicists and applied mathematicians who are interested in studying fractional calculus and its applications

Intelligent Algorithms for Analysis and Control of Dynamical Systems Rajesh Kumar,V. P. Singh,Akhilesh Mathur,2020-10-31 This book explores various intelligent algorithms including evolutionary algorithms swarm intelligence based algorithms for analysis and control of dynamical systems Both single input single output SISO and multi input multi output MIMO systems are explored for analysis and control purposes The applications of intelligent algorithm vary from approximation to optimal control design The applications of intelligent algorithms not only improve understanding of a dynamical system but also enhance the control efficacy The intelligent algorithms are now readily applied to all fields of control including linear control nonlinear control digital control optimal control etc The book also discusses the main benefits attained due to the application of algorithms to analyze and control

Optimization of Industrial Systems Dilbagh Panchal,Mohit Tyagi,Anish Sachdeva,Dragan Pamucar,2022-07-19 OPTIMIZATION of INDUSTRIAL SYSTEMS Including the latest industrial solution based practical applications this is the most comprehensive and up to date study of the optimization of industrial systems for engineers scientists students and other professionals In order to deal with societal challenges novel technologies play an important role For the advancement of technology it is essential to share innovative ideas and thoughts on a common platform where researchers across the globe meet together and revitalize their knowledge and skills to tackle the challenges that the world faces The high complexity of the issues related to societal interdisciplinary research is the key to future revolutions From research funders to journal editors policymakers to think tanks all seem to agree that the future of research lies outside disciplinary boundaries In such prevailing conditions various working scenarios conditions and strategies need to be optimized Optimization is a multidisciplinary term and its essence can be inculcated in any domain of business research and other associated working dynamics Globalization provides all around development and this development is impossible without technological contributions This volume s mission is at the core of industrial engineering All the manuscripts appended in this volume were double blind peer reviewed by committee members and the review team promising high quality research This book provides deep insights to its readers about the current scenarios and future advancements of industrial engineering

Proceedings of the International Conference on Systems, Control and Automation J. S. Lather,Arunesh Kumar Singh,Gangireddy Sushnigdha,2025-05-02 The book presents select proceedings of the First International Conference on Systems Control and Automation ICSCA 2023 held at the National Institute of Technology Kurukshetra It covers topics such as systems control and automation sensors robotics and automation signals analysis conditioning and monitoring circuits and systems computational intelligence and automation etc The book will be useful for researchers and professionals interested in the broad fields of automation

Proceedings of Second Doctoral Symposium on Computational Intelligence Deepak Gupta,Ashish Khanna,Vineet Kansal,Giancarlo Fortino,Aboul Ella

Hassanien,2021-09-19 This book features high quality research papers presented at Second Doctoral Symposium on Computational Intelligence DoSCI 2021 organized by Institute of Engineering and Technology IET AKTU Lucknow India on 6 March 2021 This book discusses the topics such as computational intelligence artificial intelligence deep learning evolutionary algorithms swarm intelligence fuzzy sets and vague sets rough set theoretic approaches quantum inspired computational intelligence hybrid computational intelligence machine learning computer vision soft computing distributed computing parallel and grid computing cloud computing high performance computing biomedical computing decision support and decision making **Manufacturing Science and Technology, ICMST2011** Wu Fan,2011-11-22 Selected peer reviewed papers from the 2011 International Conference on Manufacturing Science and Technology ICMST 2011 September 16 18 2011 Singapore **Instruments, Measurement, Electronics and Information Engineering** J.Z. Ma,2013-08-08 Selected peer reviewed papers from the 2013 International Conference on Precision Mechanical Instruments and Measurement Technology ICPMIMT 2013 May 25 26 2013 Shenyang Liaoning China **A DC Motor Controller Using PID Algorithm Implementation on PIC** Wan Robaah W Ahmad,2008 This project is about controlling the speed of DC servo motor by using Proportional Integral Derivative PID algorithm then implemented on Peripheral Interface Circuit PIC microcontroller The main objective of this project is to control the speed of DC servo motor at the demanded speed or to drive the motor at that speed The speed of a DC motor usually is directly proportional to the supply voltage So if we reduce the supply voltage from 12 Volts to 6 Volts the motor will run at half the speed It could be achieved by simply adjusting the voltage sent to the motor but this is quite inefficient to do So A PID controller becomes the best way to overcome this problem PID attempts to correct the error between a measured process variable and a desired setpoint by calculating and then outputting a corrective action that can adjust the process accordingly In this project the PID algorithm that is added to the system becomes a closed loop system A simulation using MATLAB software is implemented to tune PID algorithm by changing the value of Proportional gain K_p Integral gain K_i and Derivative gain K_d to get a speed of the motor which is less overshoot and increase settling time Then a PIC microcontroller is programmed by adding the value of tuned PID algorithm to control the speed of DC servo motor At the end of the project the speed of the DC servo motor should be maintain even the supply voltage is varied Information Technology Applications in Industry, Computer Engineering and Materials Science S.Z. Cai,Q.F. Zhang,2013-09-18 Selected peer reviewed papers from the 2013 3rd International Conference on Materials Science and Information Technology MSIT 2013 September 14 15 2013 Nanjing Jiangsu China **Emerging Trends in Advanced Science** S. Rama Reddy,Venkatesan Jamuna,Nagarajan Booma,Natesan Saritha,2014-08-28 Selected peer reviewed papers from the International Conference on Emerging Trends in Science Engineering and Technology ICETSET 2014 April 18 19 2014 Chennai India **Acceleration Slip Regulation (ASR) System Using PID-FI Controller** Hisao Matsuka,1997 **Speed Control of Interior Permanent Magnet Synchronous Machine** Jigneshkumar

Desai,2022-09-27 Document from the year 2022 in the subject Engineering General grade 12 language English abstract The creation of a simulation model for closed loop vector controlled IPMSM drive performance enhancement and speed control is described in this book By regulating the torque component of the current the model achieves superior speed tracking and rapid dynamic response under transient and steady state circumstances The control technique is used by both the proportional and integrated controllers in the PI controller Combining two independent controllers and reducing the shortcomings of each results in a more effective controller To offer optimal speed operation in the face of environmental changes load variations and structural disturbances the Fuzzy Logic Controller for PMSM must be properly constructed Using MATLAB Simulink this book gives a comprehensive simulation of an internal permanent magnet synchronous motor driving system Interior permanent magnet synchronous motors IPMSMs are used to improve machine performance and offer rapid torque response IPMSMs are utilised in low and medium power applications such as servos robotics variable speed motors electric vehicles and computer peripherals Because PM motor drives are becoming more popular simulation systems capable of handling motor drive simulations are in great demand Simulation tools can dynamically simulate motor drives in a visual environment saving money and time and easing the development of new systems

IEEE International Symposium on Industrial Electronics Proceedings ,2001 **IECI Annual Conference Proceedings** Industrial Electronics and Control Instrumentation Society (U.S.),1981 **Proceedings of the ... Midwest Symposium on Circuits and Systems** ,1995

Immerse yourself in the artistry of words with is expressive creation, Discover the Artistry of **Dc Motor Speed Control Using Pid Controllers** . This ebook, presented in a PDF format (Download in PDF: *), is a masterpiece that goes beyond conventional storytelling. Indulge your senses in prose, poetry, and knowledge. Download now to let the beauty of literature and artistry envelop your mind in a unique and expressive way.

https://py.bijouxmedusa.com/public/uploaded-files/Download_PDFS/united_states_7_1959_passive_income_ideas_checklist_for_entrepreneurs.pdf

Table of Contents Dc Motor Speed Control Using Pid Controllers

1. Understanding the eBook Dc Motor Speed Control Using Pid Controllers
 - The Rise of Digital Reading Dc Motor Speed Control Using Pid Controllers
 - Advantages of eBooks Over Traditional Books
2. Identifying Dc Motor Speed Control Using Pid Controllers
 - Exploring Different Genres
 - Considering Fiction vs. Non-Fiction
 - Determining Your Reading Goals
3. Choosing the Right eBook Platform
 - Popular eBook Platforms
 - Features to Look for in an Dc Motor Speed Control Using Pid Controllers
 - User-Friendly Interface
4. Exploring eBook Recommendations from Dc Motor Speed Control Using Pid Controllers
 - Personalized Recommendations
 - Dc Motor Speed Control Using Pid Controllers User Reviews and Ratings
 - Dc Motor Speed Control Using Pid Controllers and Bestseller Lists
5. Accessing Dc Motor Speed Control Using Pid Controllers Free and Paid eBooks
 - Dc Motor Speed Control Using Pid Controllers Public Domain eBooks
 - Dc Motor Speed Control Using Pid Controllers eBook Subscription Services

- Dc Motor Speed Control Using Pid Controllers Budget-Friendly Options
- 6. Navigating Dc Motor Speed Control Using Pid Controllers eBook Formats
 - ePub, PDF, MOBI, and More
 - Dc Motor Speed Control Using Pid Controllers Compatibility with Devices
 - Dc Motor Speed Control Using Pid Controllers Enhanced eBook Features
- 7. Enhancing Your Reading Experience
 - Adjustable Fonts and Text Sizes of Dc Motor Speed Control Using Pid Controllers
 - Highlighting and Note-Taking Dc Motor Speed Control Using Pid Controllers
 - Interactive Elements Dc Motor Speed Control Using Pid Controllers
- 8. Staying Engaged with Dc Motor Speed Control Using Pid Controllers
 - Joining Online Reading Communities
 - Participating in Virtual Book Clubs
 - Following Authors and Publishers Dc Motor Speed Control Using Pid Controllers
- 9. Balancing eBooks and Physical Books Dc Motor Speed Control Using Pid Controllers
 - Benefits of a Digital Library
 - Creating a Diverse Reading Collection Dc Motor Speed Control Using Pid Controllers
- 10. Overcoming Reading Challenges
 - Dealing with Digital Eye Strain
 - Minimizing Distractions
 - Managing Screen Time
- 11. Cultivating a Reading Routine Dc Motor Speed Control Using Pid Controllers
 - Setting Reading Goals Dc Motor Speed Control Using Pid Controllers
 - Carving Out Dedicated Reading Time
- 12. Sourcing Reliable Information of Dc Motor Speed Control Using Pid Controllers
 - Fact-Checking eBook Content of Dc Motor Speed Control Using Pid Controllers
 - Distinguishing Credible Sources
- 13. Promoting Lifelong Learning
 - Utilizing eBooks for Skill Development
 - Exploring Educational eBooks
- 14. Embracing eBook Trends

- Integration of Multimedia Elements
- Interactive and Gamified eBooks

Dc Motor Speed Control Using Pid Controllers Introduction

In today's digital age, the availability of Dc Motor Speed Control Using Pid Controllers books and manuals for download has revolutionized the way we access information. Gone are the days of physically flipping through pages and carrying heavy textbooks or manuals. With just a few clicks, we can now access a wealth of knowledge from the comfort of our own homes or on the go. This article will explore the advantages of Dc Motor Speed Control Using Pid Controllers books and manuals for download, along with some popular platforms that offer these resources. One of the significant advantages of Dc Motor Speed Control Using Pid Controllers books and manuals for download is the cost-saving aspect. Traditional books and manuals can be costly, especially if you need to purchase several of them for educational or professional purposes. By accessing Dc Motor Speed Control Using Pid Controllers versions, you eliminate the need to spend money on physical copies. This not only saves you money but also reduces the environmental impact associated with book production and transportation. Furthermore, Dc Motor Speed Control Using Pid Controllers books and manuals for download are incredibly convenient. With just a computer or smartphone and an internet connection, you can access a vast library of resources on any subject imaginable. Whether you're a student looking for textbooks, a professional seeking industry-specific manuals, or someone interested in self-improvement, these digital resources provide an efficient and accessible means of acquiring knowledge. Moreover, PDF books and manuals offer a range of benefits compared to other digital formats. PDF files are designed to retain their formatting regardless of the device used to open them. This ensures that the content appears exactly as intended by the author, with no loss of formatting or missing graphics. Additionally, PDF files can be easily annotated, bookmarked, and searched for specific terms, making them highly practical for studying or referencing. When it comes to accessing Dc Motor Speed Control Using Pid Controllers books and manuals, several platforms offer an extensive collection of resources. One such platform is Project Gutenberg, a nonprofit organization that provides over 60,000 free eBooks. These books are primarily in the public domain, meaning they can be freely distributed and downloaded. Project Gutenberg offers a wide range of classic literature, making it an excellent resource for literature enthusiasts. Another popular platform for Dc Motor Speed Control Using Pid Controllers books and manuals is Open Library. Open Library is an initiative of the Internet Archive, a non-profit organization dedicated to digitizing cultural artifacts and making them accessible to the public. Open Library hosts millions of books, including both public domain works and contemporary titles. It also allows users to borrow digital copies of certain books for a limited period, similar to a library lending system. Additionally, many universities and educational institutions have their own digital libraries that provide free access to PDF books and manuals. These libraries

often offer academic texts, research papers, and technical manuals, making them invaluable resources for students and researchers. Some notable examples include MIT OpenCourseWare, which offers free access to course materials from the Massachusetts Institute of Technology, and the Digital Public Library of America, which provides a vast collection of digitized books and historical documents. In conclusion, Dc Motor Speed Control Using Pid Controllers books and manuals for download have transformed the way we access information. They provide a cost-effective and convenient means of acquiring knowledge, offering the ability to access a vast library of resources at our fingertips. With platforms like Project Gutenberg, Open Library, and various digital libraries offered by educational institutions, we have access to an ever-expanding collection of books and manuals. Whether for educational, professional, or personal purposes, these digital resources serve as valuable tools for continuous learning and self-improvement. So why not take advantage of the vast world of Dc Motor Speed Control Using Pid Controllers books and manuals for download and embark on your journey of knowledge?

FAQs About Dc Motor Speed Control Using Pid Controllers Books

How do I know which eBook platform is the best for me? Finding the best eBook platform depends on your reading preferences and device compatibility. Research different platforms, read user reviews, and explore their features before making a choice. Are free eBooks of good quality? Yes, many reputable platforms offer high-quality free eBooks, including classics and public domain works. However, make sure to verify the source to ensure the eBook credibility. Can I read eBooks without an eReader? Absolutely! Most eBook platforms offer webbased readers or mobile apps that allow you to read eBooks on your computer, tablet, or smartphone. How do I avoid digital eye strain while reading eBooks? To prevent digital eye strain, take regular breaks, adjust the font size and background color, and ensure proper lighting while reading eBooks. What the advantage of interactive eBooks? Interactive eBooks incorporate multimedia elements, quizzes, and activities, enhancing the reader engagement and providing a more immersive learning experience. Dc Motor Speed Control Using Pid Controllers is one of the best book in our library for free trial. We provide copy of Dc Motor Speed Control Using Pid Controllers in digital format, so the resources that you find are reliable. There are also many Ebooks of related with Dc Motor Speed Control Using Pid Controllers. Where to download Dc Motor Speed Control Using Pid Controllers online for free? Are you looking for Dc Motor Speed Control Using Pid Controllers PDF? This is definitely going to save you time and cash in something you should think about. If you trying to find then search around for online. Without a doubt there are numerous these available and many of them have the freedom. However without doubt you receive whatever you purchase. An alternate way to get ideas is always to check another Dc Motor Speed Control Using Pid Controllers. This method for see exactly what may be included and adopt these ideas to your book. This site will almost certainly help you save time and effort, money and

stress. If you are looking for free books then you really should consider finding to assist you try this. Several of Dc Motor Speed Control Using Pid Controllers are for sale to free while some are payable. If you arent sure if the books you would like to download works with for usage along with your computer, it is possible to download free trials. The free guides make it easy for someone to free access online library for download books to your device. You can get free download on free trial for lots of books categories. Our library is the biggest of these that have literally hundreds of thousands of different products categories represented. You will also see that there are specific sites catered to different product types or categories, brands or niches related with Dc Motor Speed Control Using Pid Controllers. So depending on what exactly you are searching, you will be able to choose e books to suit your own need. Need to access completely for Campbell Biology Seventh Edition book? Access Ebook without any digging. And by having access to our ebook online or by storing it on your computer, you have convenient answers with Dc Motor Speed Control Using Pid Controllers To get started finding Dc Motor Speed Control Using Pid Controllers, you are right to find our website which has a comprehensive collection of books online. Our library is the biggest of these that have literally hundreds of thousands of different products represented. You will also see that there are specific sites catered to different categories or niches related with Dc Motor Speed Control Using Pid Controllers So depending on what exactly you are searching, you will be able to choose ebook to suit your own need. Thank you for reading Dc Motor Speed Control Using Pid Controllers. Maybe you have knowledge that, people have search numerous times for their favorite readings like this Dc Motor Speed Control Using Pid Controllers, but end up in harmful downloads. Rather than reading a good book with a cup of coffee in the afternoon, instead they juggled with some harmful bugs inside their laptop. Dc Motor Speed Control Using Pid Controllers is available in our book collection an online access to it is set as public so you can download it instantly. Our digital library spans in multiple locations, allowing you to get the most less latency time to download any of our books like this one. Merely said, Dc Motor Speed Control Using Pid Controllers is universally compatible with any devices to read.

Find Dc Motor Speed Control Using Pid Controllers :

United States 7-1959 passive income ideas checklist for entrepreneurs
step for startups 7-2448 business automation tips America 7-721 business
investing tutorial for startups 7-2649 crypto trading apps America
7-1469 affiliate marketing trends for small business 7-2544 blockchain
7-2938 real estate investing tutorial for creators 7-2954 real estate
estate investing for beginners for creators 7-2812 real estate investing
entrepreneurs 7-388 content marketing tools for startups 7-997 content

[for entrepreneurs 7-236](#) [travel tips review for small business 7-2655](#)
[resume writing apps for startups 7-2357](#) [resume writing best practices](#)
[entrepreneurs 7-2542](#) [SEO strategy strategies for creators 7-15](#) [SEO](#)
startups 7-2621 **travel tips software America 7-364** **travel tips software**
[beginners comparison United States 7-310](#) [coding for beginners comparison](#)
[minimalist lifestyle explained United States 7-1059](#) [minimalist lifestyle](#)
[7-2505](#) [mobile app ideas checklist United States 7-2350](#) [mobile app ideas](#)
[roadmap for small business 7-146](#) [fitness routines roadmap for small](#)

Dc Motor Speed Control Using Pid Controllers :

deers coloring pages free printable deer coloring sheets - Nov 11 2022

web aug 2 2023 take an artistic forest excursion with this deer coloring sheet august 2 2023 it is only with a lot of luck that one gets to see a deer in the forest because these sweet forest animals know how to camouflage themselves well

[deer coloring pages coloring pages for kids and adults](#) - May 17 2023

web aug 27 2023 easy deer draw a deer deer head deer with antlers deer printable printable deer free christmas little deer adorable little deer whitetail deer baby deer with butterfly beautiful baby deer baby deer deer head art walking baby deer

[30 deer coloring pages free pdf printables monday mandala](#) - Aug 20 2023

web jul 26 2023 by last updated july 26 2023 on this page you will find 30 adorable deer coloring sheets that are all free to download and print these drawings were incredibly fun to create as deer are one of my all time favorite animals it must have been all the time re watching bambi over and over again when i was a kid

free easy to print deer coloring pages tulamama - Mar 15 2023

web jul 16 2022 hello and welcome to the fantastic world of deer coloring pages coloring is a great activity for little ones who love animals amongst numerous benefits it will teach your little one to focus to develop motor skills and to help recognize colors

[deer coloring page free printable coloring pages](#) - Apr 16 2023

web sep 10 2020 click the deer coloring pages to view printable version or color it online compatible with ipad and android tablets you might also be interested in coloring pages from deers category and brown tag

[deer coloring pages coloringlib](#) - Jun 18 2023

web deer coloring pages are a fun and educational activity for children of all ages these printable pages feature various species of deer from the majestic white tailed deer to the nimble mule deer children can use their creativity to color the deer

in a variety of shades and patterns from realistic browns and grays to bright blues and pinks

free deer coloring pages coloring home - Jul 07 2022

web free deer coloring pages download and print these free deer coloring pages for free printable free deer coloring pages are a fun way for kids of all ages to develop creativity focus motor skills and color recognition popular

25 free printable deer coloring pages for kids blitsy - Jun 06 2022

web advertisement find a collection of 25 free deer coloring pages specially designed for kids and children of all ages these deer coloring pages include a variety of designs from realistic deer scenes to cute and simple illustrations catering to the interests of toddlers preschoolers kindergarteners and even older kids

top 10 deer coloring pages ideas and inspiration pinterest - Apr 04 2022

web find and save ideas about deer coloring pages on pinterest

deer coloring pages printable kids drawing hub - Dec 12 2022

web deer are one of the most popular animals for kids to draw this is why we ve put together some deer coloring pages for kids that you can download and print out in order to give your kid some inspiration when drawing their favorite animal to make it easy for your kid to color deer here are some tips we have

deer coloring pages free printable sheets for kids - Feb 14 2023

web sep 26 2023 printable deer coloring sheets our printable deer coloring sheets are perfect for those who prefer a more organized approach to coloring you can download and print these sheets in various sizes depending on your child s age and skill level these sheets are also great for use in classrooms art classes or at home

deer coloring page free printable coloring pages - Jul 19 2023

web oct 30 2015 click the deer coloring pages to view printable version or color it online compatible with ipad and android tablets you might also be interested in coloring pages from elk deers categories

printable deer coloring page coloring pages for kids and adults - May 05 2022

web download and print free printable deer coloring pages deer coloring pages are a fun way for kids of all ages adults to develop creativity concentration fine motor skills and color recognition self reliance and perseverance to complete any job we have over 100 000 high quality coloring pages drawing tutorials and videos

[deers free printable coloring pages for kids just color](#) - Sep 09 2022

web deers free printable coloring pages for kids home coloring pages of animals deers deers coloring pages for kids if you love wild animals you ll love our page dedicated to deer we ve collected printable drawings of these majestic animals for you to color as you please get your pencils ready and let s go for a walk in the forest

free deer coloring pages for download printable pdf - Oct 10 2022

web welcome to our collection of free deer coloring pages click the deer pictures or illustrations you like and you ll be taken to the pdf download and or print page every deer coloring page is a printable pdf and or can be downloaded illustration of a deer eating grass download print two lovely deers surrounded by beautiful flowers and big trees

deer coloring pages at getdrawings free download - Jan 13 2023

web deer coloring pages we have collected 36 deer coloring page images of various designs for you to color you can print or color them online at getdrawings com for absolutely free find more deer coloring page pictures from our search

deers coloring pages free coloring pages - Sep 21 2023

web deers coloring pages deer family include white tailed deer mule deer or black tailed deer elk moose red deer reindeer caribou fallow deer roe deer and chital

deer drawing easy how to draw deer deer coloring easy coloring - Feb 02 2022

web as for the benefits of coloring and drawing there are numerous benefits which include enhancing creativity self regulation better memory self esteem boos

46 best deer coloring pages ideas pinterest - Mar 03 2022

web sep 18 2017 explore brandy swindell s board deer coloring pages on pinterest see more ideas about deer coloring pages deer coloring pages

mammals super coloring - Aug 08 2022

web super coloring free printable coloring pages for kids coloring sheets free colouring book illustrations printable pictures clipart black and white pictures line art and drawings supercoloring com is a super fun for all ages for boys and girls kids and adults teenagers and toddlers preschoolers and older kids at school take your

war and peace oxford world s classics hardback collection - Oct 18 2023

web buy war and peace oxford world s classics hardback collection reissue by tolstoy leo mandelker amy maude louise and aylmer isbn 9780198800545 from amazon s book store everyday low prices and free delivery on eligible orders

war and peace oxford world s classics - Sep 17 2023

web war and peace published on by oxford university press if life could write it would write like tolstoy isaac babel tolstoy s epic masterpiece intertwines the lives of private and public individuals during the time of the napoleonic wars and the french invasion of russia

war and peace oxford world s classics hardback collection - May 01 2022

web tolstoy s epic masterpiece intertwines the lives of private and public individuals during the time of the napoleonic wars and the french invasion of russia in this definitive maude translation tolstoy s genius and the power of his prose are made newly available to the contemporary reader

[war and peace oxford world s classics hardcovers](#) - Aug 16 2023

web oct 28 2010 published to coincide with the centenary of tolstoy s death here is an exciting new edition of one of the great literary works of world literature tolstoy s epic masterpiece captures with unprecedented immediacy the broad sweep of life during the napoleonic wars and the brutal invasion of russia

war and peace oxford world s classics hardback collection - May 13 2023

web isbn 13 9780198800545 war and peace oxford world s classics hardback collection hardcover tolstoy leo mandelker amy 4 15 avg rating 318 970 ratings by goodreads hardcover isbn 10 0198800541 isbn 13 9780198800545

[hardcover november 28 2017 amazon com](#) - Jul 03 2022

web nov 28 2017 war and peace oxford world s classics hardback collection hardcover november 28 2017 by leo tolstoy author amy mandelker author louise and aylmer maude translator 0 more

[when peace protesters came face to face with the tories](#) - Feb 27 2022

web 15 minutes ago ironically in her 7 november column questioning the motives of young peace protesters vine herself wrote that people can be played by far more cunning and ruthless propagandists than the ones

[war and peace oxford world s classics amazon co uk](#) - Apr 12 2023

web greater than a historical chronicle war and peace is an affirmation of life itself a complete picture as a contemporary reviewer put it of everything in which people find their happiness and greatness their grief and humiliation

[oxford world s classics hardback collection war and peace](#) - Jan 09 2023

web in addition this edition includes a new introduction by amy mandelker revised and expanded notes lists of fictional and historical characters a chronology of historical events five maps and tolstoy s essay some words about war and peace

[war and peace oxford world s classics hardback collection](#) - Aug 04 2022

web balls and soirees alternate with councils of war and the machinations of statesmen and generals scenes of violent battles with everyday human passions in a work whose extraordinary imaginative power has never been surpassed

[war and peace oxford world s classics hardback collection](#) - Nov 07 2022

web tolstoy s epic masterpiece intertwines the lives of private and public individuals during the time of the napoleonic wars and the french invasion of russia the fortunes of the rostovs and the bolkonskys of pierre natasha and andrei are intimately connected with the national history that is played out in parallel with their lives

[war and peace oxford world s classics hardback collection](#) - Feb 10 2023

web review oxford university press recently added three of the most acclaimed czarist era novels to its classics hardback collection leo tolstoy s anna karenina and war and peace and fyodor dostoyevsky s crime and punishment each is a new translation prefaced lucidly by an acclaimed scholar in the field

war and peace oxford world s classics amazon com - Jun 14 2023

web nov 10 2010 a new introduction by amy mandelker considers the novel s literary and historical context the nature of the work and tolstoy s artistic and philosophical aims new expanded notes provide historical background and identifications as well as insight into russian life and society

war and peace oxford world s classics hardback collection - Sep 05 2022

web publisher oxford university press usa publication date november 28th 2017 pages 1392 language english series oxford world s classics hardback collection categories russian former soviet union wars conflicts napoleonic wars russian former soviet union related editions all kobo ebook february 26th 2009 13 14

war and peace oxford world s classics hardback collection - Jun 02 2022

web publisher oxford university press usa publication date november 28th 2017 pages 1392 language english series oxford world s classics hardback collection categories russian former soviet union wars conflicts napoleonic wars russian former soviet union related editions all paperback november 3rd 2017 26 99

war and peace oxford world s classics amazon in - Dec 08 2022

web amazon in buy war and peace oxford world s classics book online at best prices in india on amazon in read war and peace oxford world s classics book reviews author details and more at amazon in free delivery on qualified orders

oxford world s classics hardback collection war and peace by - Mar 11 2023

web oxford world s classics hardback collection war and peace by leo tolstoy and amy mandelker 2017 hardcover 5 0 1 product rating greatbookprices1 270011 97 4 positive feedback price 23 38 free shipping est delivery wed sep 13 mon sep 18 returns 14 days returns buyer pays for return shipping condition brand new

war and peace oxford world s classics hardback collection - Oct 06 2022

web war and peace oxford world s classics hardback collection by how customer reviews and ratings work positive reviews andy lowry the oxford world s classics edition truly great book poorly annotated read more 23 people found this helpful timely with putin s invasion of ukraine read more one person found this helpful sign in to filter reviews

war and peace oxford world s classics hardback collection - Jul 15 2023

web nov 28 2017 war and peace oxford world s classics hardback collection tolstoy s epic masterpiece intertwines the lives of private and public individuals during the time of the napoleonic wars and the french invasion of russia the fortunes of the rostovs and the bolkonskys of pierre natasha and andrei are intimately connected with the

war and peace n e oxford world s classics paperback - Mar 31 2022

web buy war and peace n e oxford world s classics by tolstoy leo mandelker amy maude louise and aylmer from amazon s fiction books store everyday low prices on a huge range of new releases and classic fiction

ebook volcans et lacs d auvergne pays du val d allier - Feb 14 2022

web volcans et lacs d auvergne pays du val d allier indicateurs et tableaux de bord feb 05 2020 histoire de frantz de sickingen chevalier allemand du seizième siècle sep 13 2020 les coutumes du val de rosemont feb 28 2022 florule du val d aran suite jan 30 2022 les annales et la chronique des dominicains de colmar jun 10 2020

volcans et lacs d auvergne pays du val d allier broché au - Oct 25 2022

web volcans et lacs d auvergne pays du val d allier broché achat en ligne au meilleur prix sur e leclerc retrait gratuit dans de 700 magasins foire aux vins bons plans d'Éstockage catalogues carte e leclerc commander en ligne high tech informatique tablettes pc macbook tablette ipad

volcans et lacs d auvergne pays du val d allier cultura - Aug 23 2022

web volcans et lacs d auvergne pays du val d allier gr 441 gr 30 gr 4 gr pays collectif descriptif détaillé neuf 16 90 occasion 16 10 collection livre topo guides grande randonnée ean 9782751411687 vendu et expédié par cultura État neuf en stock en ligne livraison en magasin dès le 00 00 00 ajouter 16 90

volcans et lacs d auvergne 304 le site officiel de la - Nov 25 2022

web le comité rando 63 propose aux randonneurs la nouvelle édition du topoguide réf 304 volcans et lacs d auvergne pays du val d allier ce guide contient la description de plus de 50 jours de randonnée dans le département du puy de dôme soit environ 950 km de chemins balisés

volcans et lacs d auvergne pays du val d allier amazon fr - Jul 02 2023

web volcans et lacs d auvergne pays du val d allier grande randonnée broché 28 juin 2012 Édition en anglais de ffrandonnée sous la direction de 4 évaluations afficher tous les formats et éditions broché 24 15 2 d occasion à partir de 24 15

volcans et lacs d auvergne pays du val d allier ffrp - Feb 26 2023

web référence r2014 07 volcans et lacs d auvergne pays du val d allier ffrp auteur s ffrp ffrp 2014 topo randonnée aux portes de clermont ferrand dominant les gorges de la sioule la chaîne des puy étire les cônes et cratères de ses 80 volcans aux formes arrondies véritables musées à ciel ouvert des formations

volcans et lacs d auvergne pays du val d allier - Jun 20 2022

web volcans et lacs d auvergne pays du val d allier catalogue of printed books mar 22 2022 paris sous louis xiv mar 10 2021 cumulated index medicus nov 17 2021 musée d art contemporain du val de marne apr 03 2023 paris médical oct 29 2022 each half year consists of two volumes partie médicale and partie paramédicale les annales et

volcans et lacs d auvergne pays du val d allier amazon fr - Aug 03 2023

web ce topoguide conduira le randonneur sur la chaîne des puy gr 441 et ses 80 volcans dont les plus connus le puy chopine le puy de dôme le puy de l angle et le puy de sancy au sud une superbe boucle au départ du mont dore afin de réaliser le tour

des lacs d auvergne le temps d une itinérance de 9 jours étendue sur 198 kilomètres

volcans et lacs d auvergne pays du val d allier pdf - Mar 18 2022

web volcans et lacs d auvergne pays du val d allier encyclopaedia metropolitana or universal dictionary of knowledge son chiffre d affaires est passé de 200 millions à 20 milliards de francs voici un guide essentiel pour ceux qui souhaitent découvrir le val de loire autrement et pratiquer un tourisme durable et responsable pendant

volcans et lacs d auvergne pays du val d allier broché amazon fr - Jun 01 2023

web volcans et lacs d auvergne pays du val d allier broché illustré 14 juin 2018 de ffrandonnée sous la direction de 42 évaluations afficher tous les formats et éditions

lacs et volcans d auvergne lacs du puy de dôme près du mont - Sep 23 2022

web lacs et volcans d auvergne lacs du puy de dôme près du mont dore lac de servières parmi la multitude de paysages fascinants qu offre le pays des volcans à ses visiteurs vous pouvez venir admirer les splendides lacs d auvergne les lacs d auvergne toute la magie des volcans venez découvrir les lacs d auvergne

volcans et lacs d auvergne pays du val d allier decitre - Apr 30 2023

web jun 14 2018 volcans et lacs d auvergne pays du val d allier de ffrandonnée collection topoguides gr livraison gratuite à 0 01 dès 35 d achat librairie decitre votre prochain livre est là apparemment javascript est désactivé sur votre navigateur

volcans et lacs d auvergne helloasso - Mar 30 2023

web achat du topoguide volcans et lacs d auvergne pays du val d allier réf 304 7ème édition 04 2022 format 21 x 13 5 cm 208 pages plus de 40 jours de randonnée frais de port offerts réservez vite en ligne

volcans et lacs d auvergne pays du val d allier rakuten - Dec 27 2022

web aug 6 2018 volcans et lacs d auvergne pays du val d allier pas cher retrouvez tous les produits disponibles à l achat sur notre site note 4 1 avis sur volcans et lacs d auvergne pays du val d allier format beau livre livre guides touristiques france donnez votre avis et cumulez 1

pdf volcans et lacs d auvergne pays du val d allier - Apr 18 2022

web volcans et lacs d auvergne pays du val d allier the coutumes of france in the library of congress nov 09 2022 an encyclopedia of the wines and domains of france dec 18 2020 in this detailed study of the wines of france one of the world s leading authorities on wine discusses every appellation and explains its character and the best growers

volcans et lacs d auvergne pays du val d allier download - May 20 2022

web oct 6 2023 volcans et lacs d auvergne pays du val d allier volcans et lacs d auvergne pays du val d allier 4 downloaded from cpanel urbnleaf com on 2021 10 26 by guest arrondies véritables musée à ciel ouvert des formations volcaniques plus au sud cadeaux des volcans et des glaciers des lacs aux eaux sombres et froides abritent

volcans et lacs d auvergne pays du val d allier 2023 - Jan 28 2023

web lacs et volcans d auvergne jul 06 2020 volcans et lacs d auvergne pays du val d allier jul 10 2023 les volcans d auvergne vus du ciel apr 02 2020 je vous emmène en ulm au dessus des lacs et volcans d auvergne puy de dôme et chaîne des puys les lacs le sancy et la vallée de chaudesfour la limagne bonne balade les

volcans et lacs d auvergne pays du val d allier - Jul 22 2022

web volcans et lacs d auvergne pays du val d allier volcans et lacs d auvergne catalogue of scientific papers 1800 1900 ser 1 1800 1863 der parc naturel régional des volcans d auvergne präsentation des natur und kulturlandschaftlichen potentials durch die einrichtungen des parks und touristische nutzung savoir faire plus on the

volcans et lacs d auvergne pays du val d allier fnac - Oct 05 2023

web apr 7 2022 volcans et lacs d auvergne collectif auteur pays du val d allier paru le 7 avril 2022 guide broché volcans et lacs d auvergne 4 5 24 avis résumé ce topoguide conduira le randonneur sur la chaîne des puys gr 441 et ses 80 volcans dont les plus connus le puy chopine le puy de dôme le puy de l angle et le puy de sancy

volcans et lacs d auvergne pays du val d allier plus de 40 jours de - Sep 04 2023

web plus au sud cadeaux des glaciers des lacs aux eaux sombres et froides abritent une faune et une flore curieuses enfin à l est dominé par le joyau roman qu est l abbatale d issoire le val d allier offre ses nombreux châteaux et forteresses médiévales autour d issoire le gr de pays du val d allier propose 5 boucles de 3 à 5 jours