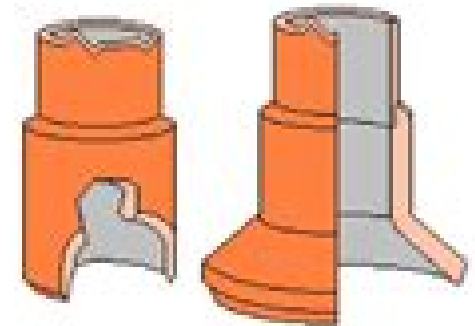


Well COMPLETION

5. OTHERS

5.1 Wireline Entry Guide (WLEG)

- Bottom most tubing accessories.
- Provide easy access for WL tools into tubing.

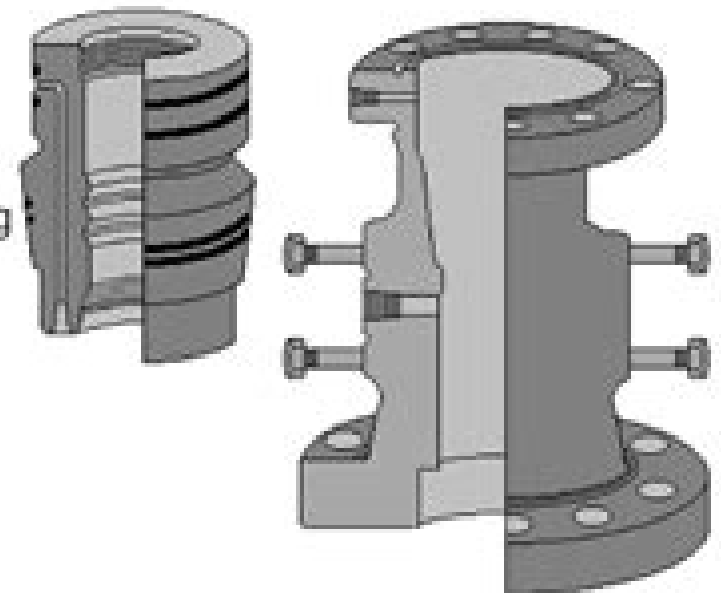


5.2 Perforated Joint

- Eliminate flow restrictions.
- Provide true downhole flow readings.

5.3 Control Line

- Transport hydraulic fluid to SCSSV
- Continuous length & securely clamped on tubing wall.



5.4 Tubing Hanger

- Set in THS , suspend tubing weight & provide sealing.
- BPV Receptacle

Wireline Operations Manual

Karin Nielsen-Saines



Wireline Operations Manual:

Standard Handbook of Petroleum and Natural Gas Engineering William C. Lyons, Gary J Plisga BS, 2011-03-15 This new edition of the Standard Handbook of Petroleum and Natural Gas Engineering provides you with the best state of the art coverage for every aspect of petroleum and natural gas engineering With thousands of illustrations and 1 600 information packed pages this text is a handy and valuable reference Written by over a dozen leading industry experts and academics the Standard Handbook of Petroleum and Natural Gas Engineering provides the best most comprehensive source of petroleum engineering information available Now in an easy to use single volume format this classic is one of the true must haves in any petroleum or natural gas engineer s library A classic for the oil and gas industry for over 65 years A comprehensive source for the newest developments advances and procedures in the petrochemical industry covering everything from drilling and production to the economics of the oil patch Everything you need all the facts data equipment performance and principles of petroleum engineering information not found anywhere else A desktop reference for all kinds of calculations tables and equations that engineers need on the rig or in the office A time and money saver on procedural and equipment alternatives application techniques and new approaches to problems

Wireline Operations and Procedures American Petroleum Institute. Division of Production, 1964

Wireline Operations Jack B. Hall, 1988

Wireline Operations and Procedures American Petroleum Institute. Production Department, 1994

Oilfield Survival Guide, Volume One: For All Oilfield Situations Matthew J. Hatami, 2017-01-02 Save Money Time and Lives with the Real World Oil Gas Experience of Others Learning the Hard Way in the Oilfield can Cost You Millions sometimes Billions of Dollars in addition to Injury and Loss of Life Cut Through the Noise to Focus on the Most Critical Aspects of Working in the Oil and Gas Business Based on over 1 000 Oil and Gas Situations involving Drilling Cementing Fracking Wireline Coil Tubing Snubbing Running Tools Welding Production Workover Logging Trucking Geology Land Engineering Resource Development Executive Management and much much more Expand Your Value Creation Opportunities by Learning from the Real World Experience of Others Whether you work in the office or in the field work as a Company Man Engineer Driller Tool Pusher Roughneck Geologist Landman Truck Driver Frac Hand Treater Cementer Lawyer Flowback Hand Welder Geophysicist Snubber Pumper Equipment Operator Derrick Man Mechanic Petrophysicist Roustabout Manager Director VP or Executive consider adding Oilfield Survival Guide to your toolbox of knowledge In other words if you work hard for your money in the oil business this book is for you The oil gas industry is one of the most capital intensive businesses today As a result mistakes situations can be expensive in addition to injury and loss of life To prevent undesirable situations Oilfield Survival Guide was created based on over 1 000 oil gas situations The ultimate guide for all oil and gas situations Tactics Procedures Fatalities Short Stories Train Wrecks Disaster Avoidance Court Cases Life Savings Skills Checklists Troubleshooting Problem Job Prevention Oilfield Survival Guide is the ultimate oil industry resource to help manage oilfield risk and avoid mistakes by increasing your oil and gas knowledge and

intelligence utilizing a variety of methods including Tactics Short and to the point guidelines to reduce risk and instill work principles to be successful in the oil industry from the field to the office Short Stories Experience from the mistakes of others Fatalities Detailed analysis of oil and gas tragedies Court Cases Jury trials expert witness testimony and legal opinions on a variety of oil and gas cases Procedures Step by step process to create oilfield procedures and checklists along with multiple examples Operations Analysis Oil and gas operations post mortem highlighting key learnings practical knowledge useful tips and best practices Over 1 000 oil and gas situations analyzed to create Oilfield Survival Guide *The Practical Handbook of Well Control* Rahman Ashena,2025-02-21 The Practical Handbook of Well Control teaches readers to safeguard well safety and integrity in drilling well engineering Offering an applied and scientific point of view it covers fundamental aspects of well control and includes practical procedures and well control methods for land and offshore operations It features a wealth of questions to commonly encountered problems and comprehensive answers at the end of each topical discussion to test reader comprehension Written in a concise accessible way by experienced oilfield and academic experts Covers all related technical subjects of well control Describes modern aspects of well control including automatic well control advances in outflow measurement artificial intelligence and IoT techniques for early kick detection mud gas separators and riser gas modeling Includes case studies to familiarize readers with real world problems and solutions Offers a full explanation of each problem to familiarize readers with commonly faced issues Features sample exercises with comprehensive answers useful for IWCF and IADC exams This handbook serves as a valuable reference and workbook for field drilling and workover engineers in the energy sector [Policy-Driven Mobile Ad hoc Network Management](#) Ritu Chadha,Latha Kant,2007-10-23 This book should be immensely interesting to those trying to decide what MANET research is worth undertaking and why J Christopher Ramming Program Manager Defense Advanced Research Projects Agency DARPA Strategic Technology Office A thorough comprehensive treatment of mobile ad hoc network management Mobile ad hoc networking is a hot topic gaining importance in both commercial and military arenas Now that the basics in the field have settled and standards are emerging the time is right for a book on management of these networks From two experts in the field Policy Driven Mobile Ad hoc Network Management provides comprehensive coverage of the management challenges associated with mobile ad hoc networks MANETs and includes an in depth discussion of how policy based network management can be used for increasing automation in the management of mobile ad hoc networks This book provides readers with a complete understanding of mobile ad hoc network management and many related topics including Network management requirements for MANETs with an emphasis on the differences between the management requirements for MANETs as compared to static wireline networks The use of policies for managing MANETs to increase automation and to tie together management components via policies Policy conflict detection and resolution Aspects of MANETs that need to be configured and reconfigured at all layers of the protocol stack Methodologies for providing survivability in the face of both hard and soft failures in MANETs The components

of a Quality of Service QoS management solution for MANETs based on the widely used Differentiated Services DiffServ paradigm Important open research issues in the area of MANET management Policy Driven Mobile Ad hoc Network Management is an ideal resource for professionals researchers and advanced graduate students in the field of IP network management who are interested in mobile ad hoc networks

Well Control for Completions and Interventions Howard Crumpton,2018-04-04 Well Control for Completions and Interventions explores the standards that ensure safe and efficient production flow well integrity and well control for oil rigs focusing on the post Macondo environment where tighter regulations and new standards are in place worldwide Too many training facilities currently focus only on the drilling side of the well s cycle when teaching well control hence the need for this informative guide on the topic This long awaited manual for engineers and managers involved in the well completion and intervention side of a well s life covers the fundamentals of design equipment and completion fluids In addition the book covers more important and distinguishing components such as well barriers and integrity envelopes well kill methods specific to well completion and other forms of operations that involve completion like pumping and stimulation including hydraulic fracturing and shale coiled tubing wireline and subsea intervention Provides a training guide focused on well completion and intervention Includes coverage of subsea and fracturing operations Presents proper well kill procedures Allows readers to quickly get up to speed on today s regulations post Macondo for well integrity barrier management and other critical operation components

Proceedings of the International Field Exploration and Development Conference 2023 Jia'en Lin,2024-03-11 This book focuses on reservoir surveillance and management reservoir evaluation and dynamic description reservoir production stimulation and EOR ultra tight reservoir unconventional oil and gas resources technology oil and gas well production testing and geomechanics This book is a compilation of selected papers from the 13th International Field Exploration and Development Conference IFEDC 2023 The conference not only provides a platform to exchanges experience but also promotes the development of scientific research in oil gas exploration and production The main audience for the work includes reservoir engineer geological engineer enterprise managers senior engineers as well as students

Proceedings - Offshore Technology Conference ,1998 **Federal Register** ,1999-07-08 **A Guide to Coalbed Methane Operations** Vicki A. Hollub,Paul S. Schafer,1992 The Oil and Gas Journal ,1930 **Petroleum Engineering Handbook** Howard B. Bradley,Fred W. Gipson,1987 **Proceedings ... SPE Annual Technical Conference and Exhibition** Society of Petroleum Engineers (U.S.). Technical Conference and Exhibition,1992 **The Standard and Poor's 500 Guide** Standard & Poor's,2005-12 Text and statistical data on 500 individual companies Drilling International ,1967 Petroleum Engineer International ,1982 **Petroleum Engineering Handbook** Larry W. Lake,2006 The Petroleum Engineering Handbook has long been recognized as a valuable comprehensive reference book that offers practical day to day applications for students and experienced engineering professionals alike The Petroleum Engineering Handbook is now a series of 7

volumes Volume IV Production Operations Engineering will bring readers up to date in the areas of design equipment selection and operation procedures for most oil and gas wells Chapters cover three main topic areas well completions problems caused by formation damage and artificial lift a major concern for production engineers **Training Manual** United States. Army. Signal Corps,1925

The Enigmatic Realm of **Wireline Operations Manual**: Unleashing the Language is Inner Magic

In a fast-paced digital era where connections and knowledge intertwine, the enigmatic realm of language reveals its inherent magic. Its capacity to stir emotions, ignite contemplation, and catalyze profound transformations is nothing short of extraordinary. Within the captivating pages of **Wireline Operations Manual** a literary masterpiece penned by a renowned author, readers set about a transformative journey, unlocking the secrets and untapped potential embedded within each word. In this evaluation, we shall explore the book's core themes, assess its distinct writing style, and delve into its lasting impact on the hearts and minds of people who partake in its reading experience.

https://py.bijouxmedusa.com/public/scholarship/fetch.php/Explained_America_26_421_Cybersecurity_Explained_For_Creators_26_2977.pdf

Table of Contents Wireline Operations Manual

1. Understanding the eBook Wireline Operations Manual
 - The Rise of Digital Reading Wireline Operations Manual
 - Advantages of eBooks Over Traditional Books
2. Identifying Wireline Operations Manual
 - Exploring Different Genres
 - Considering Fiction vs. Non-Fiction
 - Determining Your Reading Goals
3. Choosing the Right eBook Platform
 - Popular eBook Platforms
 - Features to Look for in an Wireline Operations Manual
 - User-Friendly Interface
4. Exploring eBook Recommendations from Wireline Operations Manual
 - Personalized Recommendations
 - Wireline Operations Manual User Reviews and Ratings

- Wireline Operations Manual and Bestseller Lists
- 5. Accessing Wireline Operations Manual Free and Paid eBooks
 - Wireline Operations Manual Public Domain eBooks
 - Wireline Operations Manual eBook Subscription Services
 - Wireline Operations Manual Budget-Friendly Options
- 6. Navigating Wireline Operations Manual eBook Formats
 - ePub, PDF, MOBI, and More
 - Wireline Operations Manual Compatibility with Devices
 - Wireline Operations Manual Enhanced eBook Features
- 7. Enhancing Your Reading Experience
 - Adjustable Fonts and Text Sizes of Wireline Operations Manual
 - Highlighting and Note-Taking Wireline Operations Manual
 - Interactive Elements Wireline Operations Manual
- 8. Staying Engaged with Wireline Operations Manual
 - Joining Online Reading Communities
 - Participating in Virtual Book Clubs
 - Following Authors and Publishers Wireline Operations Manual
- 9. Balancing eBooks and Physical Books Wireline Operations Manual
 - Benefits of a Digital Library
 - Creating a Diverse Reading Collection Wireline Operations Manual
- 10. Overcoming Reading Challenges
 - Dealing with Digital Eye Strain
 - Minimizing Distractions
 - Managing Screen Time
- 11. Cultivating a Reading Routine Wireline Operations Manual
 - Setting Reading Goals Wireline Operations Manual
 - Carving Out Dedicated Reading Time
- 12. Sourcing Reliable Information of Wireline Operations Manual
 - Fact-Checking eBook Content of Wireline Operations Manual
 - Distinguishing Credible Sources

13. Promoting Lifelong Learning
 - Utilizing eBooks for Skill Development
 - Exploring Educational eBooks
14. Embracing eBook Trends
 - Integration of Multimedia Elements
 - Interactive and Gamified eBooks

Wireline Operations Manual Introduction

In the digital age, access to information has become easier than ever before. The ability to download Wireline Operations Manual has revolutionized the way we consume written content. Whether you are a student looking for course material, an avid reader searching for your next favorite book, or a professional seeking research papers, the option to download Wireline Operations Manual has opened up a world of possibilities. Downloading Wireline Operations Manual provides numerous advantages over physical copies of books and documents. Firstly, it is incredibly convenient. Gone are the days of carrying around heavy textbooks or bulky folders filled with papers. With the click of a button, you can gain immediate access to valuable resources on any device. This convenience allows for efficient studying, researching, and reading on the go. Moreover, the cost-effective nature of downloading Wireline Operations Manual has democratized knowledge. Traditional books and academic journals can be expensive, making it difficult for individuals with limited financial resources to access information. By offering free PDF downloads, publishers and authors are enabling a wider audience to benefit from their work. This inclusivity promotes equal opportunities for learning and personal growth. There are numerous websites and platforms where individuals can download Wireline Operations Manual. These websites range from academic databases offering research papers and journals to online libraries with an expansive collection of books from various genres. Many authors and publishers also upload their work to specific websites, granting readers access to their content without any charge. These platforms not only provide access to existing literature but also serve as an excellent platform for undiscovered authors to share their work with the world. However, it is essential to be cautious while downloading Wireline Operations Manual. Some websites may offer pirated or illegally obtained copies of copyrighted material. Engaging in such activities not only violates copyright laws but also undermines the efforts of authors, publishers, and researchers. To ensure ethical downloading, it is advisable to utilize reputable websites that prioritize the legal distribution of content. When downloading Wireline Operations Manual, users should also consider the potential security risks associated with online platforms. Malicious actors may exploit vulnerabilities in unprotected websites to distribute malware or steal personal information. To protect themselves, individuals should ensure their devices have reliable antivirus software installed and

validate the legitimacy of the websites they are downloading from. In conclusion, the ability to download Wireline Operations Manual has transformed the way we access information. With the convenience, cost-effectiveness, and accessibility it offers, free PDF downloads have become a popular choice for students, researchers, and book lovers worldwide. However, it is crucial to engage in ethical downloading practices and prioritize personal security when utilizing online platforms. By doing so, individuals can make the most of the vast array of free PDF resources available and embark on a journey of continuous learning and intellectual growth.

FAQs About Wireline Operations Manual Books

How do I know which eBook platform is the best for me? Finding the best eBook platform depends on your reading preferences and device compatibility. Research different platforms, read user reviews, and explore their features before making a choice. Are free eBooks of good quality? Yes, many reputable platforms offer high-quality free eBooks, including classics and public domain works. However, make sure to verify the source to ensure the eBook credibility. Can I read eBooks without an eReader? Absolutely! Most eBook platforms offer web-based readers or mobile apps that allow you to read eBooks on your computer, tablet, or smartphone. How do I avoid digital eye strain while reading eBooks? To prevent digital eye strain, take regular breaks, adjust the font size and background color, and ensure proper lighting while reading eBooks. What the advantage of interactive eBooks? Interactive eBooks incorporate multimedia elements, quizzes, and activities, enhancing the reader engagement and providing a more immersive learning experience. Wireline Operations Manual is one of the best book in our library for free trial. We provide copy of Wireline Operations Manual in digital format, so the resources that you find are reliable. There are also many Ebooks of related with Wireline Operations Manual. Where to download Wireline Operations Manual online for free? Are you looking for Wireline Operations Manual PDF? This is definitely going to save you time and cash in something you should think about.

Find Wireline Operations Manual :

explained America 26-421 cybersecurity explained for creators 26-2977

budget travel comparison for creators 26-2963 budget travel comparison

comparison USA 26-294 remote work comparison for entrepreneurs 26-2465

for small business 26-2058 YouTube growth trends for entrepreneurs

26-2812 weight loss tools for small business 26-2398 weight loss tools

[business automation step by step for creators 26-1254](#) [business small business 26-2815](#) [AI marketing explained for small business 26-568](#) [tips for creators 26-1887](#) [travel tips tips for small business 26-19](#) [improvement checklist for startups 26-1585](#) [self improvement checklist guide for small business 26-2337](#) [data science careers guide for small small business 26-526](#) [affiliate marketing explained for startups 26-777](#) [funding best practices for startups 26-203](#) [startup funding blueprint for creators 26-2632](#) [coding for beginners review for startups 26-936](#) [monetization roadmap for entrepreneurs 26-2671](#) [blog monetization roadmap healthy recipes tips for startups 26-1308](#) [healthy recipes tools United](#)

Wireline Operations Manual :

financials lead rise in indian shares small mid caps volatile - Jul 21 2021

web 2 days ago the more domestically focussed small caps nifsmcp100 and mid caps nifmdcp100 were volatile swinging between gains and losses after logging their

the art of american indian cooking 1970 edition open library - Apr 29 2022

web the art of american indian cooking by yeffe kimball and jean anderson pref by frederick j dockstader illustrated by yeffe kimball by yeffe kimball 0 ratings 0 want

seattle police officer under investigation as footage shows him - Oct 24 2021

web 22 hours ago a seattle police officer is under investigation after his body worn camera captured a phone conversation following the death of a woman who was fatally struck by

[the art of american indian cooking google books](#) - Jun 12 2023

web may 21 2021 the art of american indian cooking is a sensuous journey of color scent and flavor through five north american regions using the bounty in ingredients

india s axis bank investment banking unit co ceo negandhi - Feb 13 2021

web 6 hours ago indian lender axis bank s investment banking unit axis capital s co chief executive officer chirag negandhi has resigned two sources with direct knowledge of the matter told reuters adding that

the art of american indian cooking 1965 edition open library - Sep 03 2022

web the art of american indian cooking by yeffe kimball jean anderson jean anderson 1965 doubleday edition in english 1st ed

youngkin pardons father of girl sexually assaulted at loudoun - Dec 26 2021

web sep 10 2023 virginia gov glenn youngkin r pardoned a loudoun county father whose daughter had been sexually assaulted at school and whose arrest had sparked outrage

the art of american indian cooking over 150 delicious - Oct 04 2022

web the art of american indian cooking foods of the american soil adapted to superbly varied and delicious dishes for today s kitchen crisps cobblers custards creams

goa state warns abott india on antacid digene licence suspension - May 19 2021

web 1 day ago following that the state director of the goa food and drugs department jyoti j sardesai wrote a warning notice to abott on sept 11 saying i intend to cancel the

the art of american indian cooking paperback june 1 2000 - May 31 2022

web jun 1 2000 the art of american indian cooking is a sensuous journey of color scent and flavor through five north american regions using the bounty in ingredients

the art of american indian cooking open library - Sep 10 2020

web jun 1 2000 the art of american indian cooking by yeffe kimball jean anderson jean anderson june 1 2000 the lyons press edition paperback in english 1 00 edition

virginia house candidate performed sex with husband in live videos - Jan 27 2022

web sep 12 2023 gibson said that exposing the videos is an illegal invasion of my privacy designed to humiliate me and my family gibson s attorney daniel p watkins said that

seattle officer recorded joking about woman killed by a police car - Sep 22 2021

web sep 13 2023 video appears to show a seattle police officer laughing about an indian student killed by a patrol car victoria beach the chair of the african american

the art of american indian cooking 2000 edition open library - Apr 10 2023

web the art of american indian cooking over 150 delicious authentic and traditional dishes from five north american regions by yeffe kimball jean anderson and jean

art of american indian cooking the abebooks - Dec 06 2022

web abebooks com art of american indian cooking the paperback first printing 160gms 221 pages foods of the american soil adapted to superbly varied and delicious dishes

two senate votes advance Biden goal of greater diversity at fed - Mar 17 2021

web sep 6 2023 lisa cook who president Joe Biden named as a governor on the board last year and whose current term expires in January was endorsed for a full term in a 51

the art of american indian cooking foods of the american soil - Jan 07 2023

web the art of american indian cooking over 150 delicious authentic and traditional dishes from five north american regions
the art of american indian cooking the

new us backed india middle east trade route to challenge - Nov 24 2021

web sep 11 2023 us president joe biden along with leaders of india saudi arabia and the united arab emirates announced on saturday the launch of a new trade route

the art of american indian cooking amazon com - Jan 15 2021

web presents america s food heritage a superb collection of authentic and easily prepared american indian recipes from turkey and corn dishes of the southeast though recipes

the art of american indian cooking eat your books - Nov 12 2020

web the art of american indian cooking over 150 delicious authentic and traditional dishes from five north american regions
the art of american indian cooking the

indian shares set to open higher on strong china data u s rate - Aug 22 2021

web 18 hours ago reuters bengaluru sept 15 reuters indian shares are set to open higher on friday tracking asian peers as stronger than expected macroeconomic data

g20 showcases india s global clout and worries over press freedom - Dec 14 2020

web sep 10 2023 new delhi much of new delhi came to a halt this weekend as presidents prime ministers and monarchs descended on india s capital for the group of

the art of american indian cooking amazon com - Mar 09 2023

web the art of american indian cooking mass market paperback january 1 1965 by yeffe jean anderson kimball author 4 2 out of 5 stars 17 ratings

the art of american indian cooking amazon com - Oct 12 2020

web jan 1 1970 the art of american indian cooking yeffe kimball jean anderson on amazon com free shipping on qualifying offers the art of american indian cooking

the art of american indian cooking worldcat org - May 11 2023

web summary the art of american indian cooking is a sensuous journey of color scent and flavor through five north american regions using the bounty in ingredients available

the art of american indian cooking open library - Feb 08 2023

web an edition of the art of american indian cooking 1965 the art of american indian cooking by yeffe kimball jean anderson and jean anderson 0 ratings 7 want to

[the art of american indian cooking kimball yeffe 1914 free](#) - Jul 13 2023

web the art of american indian cooking by kimball yeffe 1914 publication date 2000 topics indian cookery cooking american publisher new york lyons press collection

the art of american indian cooking by yeffe kimball goodreads - Jul 01 2022

web yeffe kimball jean anderson 3 50 10 ratings2 reviews a sensuous journey of color scent and flavor through five regions here are some of the best loved native american dishes

the art of american indian cooking yeffe and jean anderson - Mar 29 2022

web the art of american indian cooking yeffe and jean anderson kimball open education open education encompasses resources tools and practices that are free of legal

the art of american indian cooking yeffe kimball - Feb 25 2022

web the art of american indian cooking yeffe kimball emilia hartley a nonagenarian 6 brought to you by the center for the book in the library of congress read

[ufologist claims to show mummified alien specimens to](#) - Apr 17 2021

web 1 day ago a self proclaimed ufologist showed members of congress what he claimed were two mummified specimens of extraterrestrial beings experts scoffed a handout picture

the art of american indian cooking amazon com - Aug 14 2023

web jun 1 2000 the art of american indian cooking is a sensuous journey of color scent and flavor through five north american regions using the bounty in ingredients

the art of american indian cooking worldcat org - Nov 05 2022

web this book contains over 150 delicious authentic and traditional dishes from five north american regions adapted for modern kitchens these recipes are as inspired today as

the art of american indian cooking open library - Aug 02 2022

web the art of american indian cooking by yeffe kimball jean anderson jean anderson 1986 simon schuster edition in english 1st fireside ed with a preface by gary

state house candidate in virginia condemns leak of sex tapes - Jun 19 2021

web sep 12 2023 sept 11 2023 a democratic candidate in a crucial race for the virginia general assembly denounced reports on monday that she and her husband had

[mitsubishi lancer user s manuals manuals mitsubishi](#) - Mar 03 2023

web feb 15 2015 download manual download 2010 mitsubishi lancer sportback owner s manual posted on 15 feb 2015 by nomugs model 2010 mitsubishi lancer

2010 mitsubishi lancer sportback user manuals guides - Feb 19 2022

web 2010 mitsubishi lancer sportback service manual typical table of contents vehicle specific information maintenance wiring diagrams body repairs wheels and tyres

mitsubishi lancer sportback 2010 8 g owners manual - Sep 28 2022

web view print and download for free mitsubishi lancer sportback 2010 8 g owners manual 658 pages pdf size 20 68 mb carmanualsonline info is the largest online

mitsubishi lancer 2010 8 g owners manual 670 pages - Mar 23 2022

web to jump start your car make sure the booster vehicle is off connect the positive red cable to the positive terminals of both batteries attach the negative black cable to the booster

2010 mitsubishi lancer sportback owner s manual 658 pages - Jun 06 2023

web we have 1 mitsubishi lancer sportback manual available for free pdf download owner s manual mitsubishi lancer sportback owner s manual 433 pages brand

mitsubishi lancer sportback 2010 user manual english 658 - Aug 08 2023

web feb 15 2015 2010 mitsubishi lancer sportback owner s manual 658 pages posted on 15 feb 2015 by nomugs model 2010 mitsubishi lancer sportback file size 21

user manual mitsubishi lancer sportback 2011 english 706 - Jan 21 2022

web view the mitsubishi lancer sportback 2010 manual for free or ask your question to other mitsubishi lancer sportback 2010 owners usermanuals au mitsubishi

mitsubishi lancer sportback 2010 manual manualscat com - Jun 25 2022

web mitsubishi lancer v users manuals english 20 7 mb 10gs44s nafta cover2 fm 1 □□□ 2009□3□31□ □□□ □□3□12□ introduction throughout this manual the

2010 mitsubishi lancer owner s manual pdf 670 - Jul 07 2023

web 2010 mitsubishi lancer sportback pdf owner s manuals in english owner s manual 658 pages mitsubishi lancer sportback models 2014 mitsubishi lancer sportback

user manual mitsubishi lancer sportback 2010 english 658 - Oct 10 2023

web below you will find the product specifications and the manual specifications of the mitsubishi lancer sportback 2010 the mitsubishi lancer sportback is a compact

2010 mitsubishi lancer sportback owner s manual - Oct 30 2022

web view print and download for free mitsubishi lancer sportback 2010 8 g owners manual 658 pages pdf size 20 68 mb search in mitsubishi lancer

2010 mitsubishi lancer sportback pdf owner s manuals - May 05 2023

web 2011 lancer service manual espanol pdf user s manuals 15 5 mb spanish 585 lancer v 2010 2010 lancer sportback users manual pdf user s manuals 20 7 mb english 658

mitsubishi lancer sportback 2010 8 g owners manual - Jul 27 2022

web view mitsubishi lancer sportback manuals online for free carmanualsonline info is the largest free online database of mitsubishi owner s manuals and mitsubishi

[mitsubishi lancer sportback manuals manualslib](#) - Apr 04 2023

web 2010 mitsubishi lancer sportback pdf owner s manuals in english owner s manual 658 pages mmcs manual 161 pages mitsubishi lancer sportback models 2014

[mitsubishi lancer sportback 2010 owner s manual](#) - Nov 30 2022

web view print and download for free mitsubishi lancer sportback 2010 8 g owners manual 658 pages pdf size 20 68 mb search in mitsubishi lancer

2010 lancer sportback users manual pdf 20 7 mb user s - Apr 23 2022

web browse 2010 mitsubishi lancer sportback owner s manuals user guides instructional help documents operating information to learn more about your product search fixya

mitsubishi lancer sportback owner s - Sep 09 2023

web view the mitsubishi lancer sportback 2010 manual for free or ask your question to other mitsubishi lancer sportback 2010 owners manuals co uk manuals co uk

2010 mitsubishi lancer sportback manuals - Feb 02 2023

web mitsubishi lancer sportback 2010 owner s manual introduction n09200100732 thank you for buying a mitsubishi lancer sportback we are confident you will enjoy

[mitsubishi lancer sportback 2010 8 g owners manual](#) - Aug 28 2022

web user manual for the mitsubishi lancer sportback 2010 in english this pdf manual has 658 pages

2010 mitsubishi lancer sportback repair manual factory manuals - Dec 20 2021

download 2010 mitsubishi lancer sportback owner s manual - Jan 01 2023

web 2010 mitsubishi lancer sportback owner s manual posted on 9 apr 2015 model 2010 mitsubishi lancer sportback pages 658 file size 21 mb download manual manual

[user manual mitsubishi lancer sportback 2010 english 658](#) - Nov 18 2021

2010 mitsubishi lancer sportback 8 g owner s and - May 25 2022

web view print and download for free mitsubishi lancer 2010 8 g owners manual 670 pages pdf size 25 18 mb search in mitsubishi lancer 2010 8 g owners

[christine 1983 show me scene 4 10 movieclips youtube](#) - Sep 04 2023

web jun 22 2017 1 4m views minty comedic arts christine show me arnie keith gordon realizes the true power of christine as the automobile supernaturally fixes itself buy the movie fanda

christine 1983 imdb - Aug 03 2023

web dec 9 1983 christine directed by john carpenter with keith gordon john stockwell alexandra paul robert prosky a nerdish boy buys a strange car with an evil mind of its own and his nature starts to change to reflect it

[christine 1983 full cast crew imdb](#) - Mar 30 2023

web christine 1983 cast and crew credits including actors actresses directors writers and more

john carpenter s christine 14 behind the scenes facts about - Jul 02 2023

web jan 9 2022 john carpenter s christine 14 behind the scenes facts about the classic stephen king movie shining a headlight on some cool trivia about the horror classic the works of stephen king have

stephen king s christine remake is happening at blumhouse - Dec 27 2022

web jun 8 2021 stephen king s christine is getting rebooted originally a novel penned by king that was later adapted into a movie by john carpenter christine is a simple horror story about a cursed car with a

christine streaming where to watch movie online justwatch - Jun 01 2023

web geeky student arnie cunningham falls for christine a rusty 1958 plymouth fury and becomes obsessed with restoring the classic automobile to her former glory as the car changes so does arnie whose newfound confidence turns to arrogance behind the wheel of his exotic beauty

[stephen king s christine remake plot director producer and](#) - Apr 30 2023

web sep 19 2023 in king s book christine is haunted by the soul of roland lebay a truly vile man who holds sway over arnie the lebay subplot doesn t factor into carpenter s film and christine s evil origins

[christine novel wikipedia](#) - Jan 28 2023

web christine is a horror novel by american writer stephen king published in 1983 it tells the story of a car a 1958 plymouth fury apparently possessed by malevolent supernatural forces a film adaptation directed by john carpenter was released eight months later in december of the same year

15 facts about john carpenter s christine mental floss - Feb 26 2023

web jul 2 2018 while christine isn t the most high profile release in either king or carpenter s careers the movie about an

evil 1958 plymouth fury that possesses its owner remains a beloved cult classic

christine 1983 film wikipedia - Oct 05 2023

web christine titled onscreen as john carpenter s christine is a 1983 american supernatural horror film directed by john carpenter and starring keith gordon john stockwell alexandra paul robert prosky and harry dean stanton the film also features supporting performances from roberts blossom and kelly preston