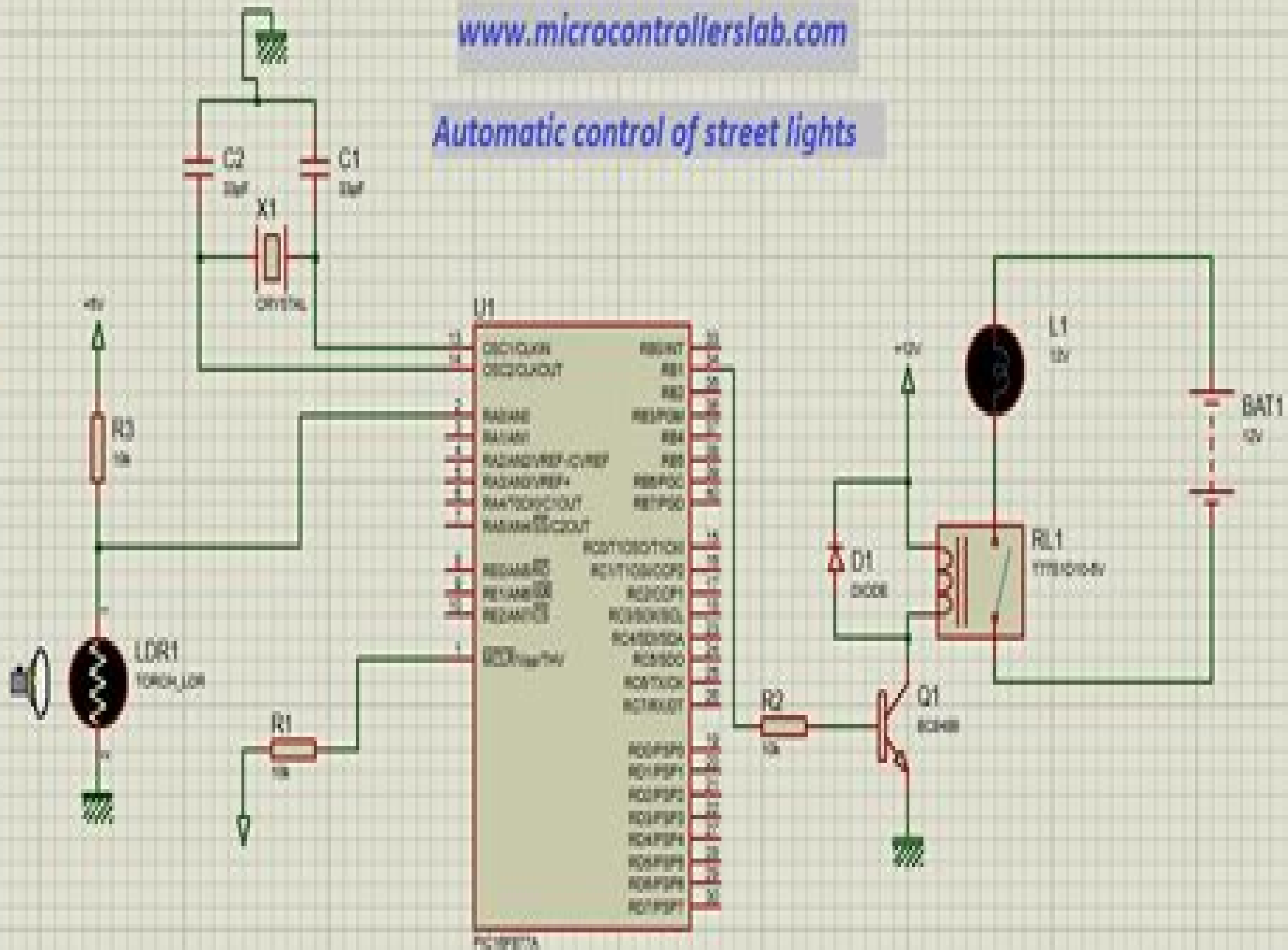


Automatic control of street lights



Automatic Street Light Control System Using Microcontroller

RJ Alexander



Automatic Street Light Control System Using Microcontroller:

If you ally dependence such a referred **Automatic Street Light Control System Using Microcontroller** books that will have enough money you worth, acquire the utterly best seller from us currently from several preferred authors. If you want to hilarious books, lots of novels, tale, jokes, and more fictions collections are plus launched, from best seller to one of the most current released.

You may not be perplexed to enjoy every books collections Automatic Street Light Control System Using Microcontroller that we will no question offer. It is not vis--vis the costs. Its virtually what you dependence currently. This Automatic Street Light Control System Using Microcontroller, as one of the most enthusiastic sellers here will very be along with the best options to review.

https://py.bijouxmedusa.com/files/virtual-library/Documents/electricity_and_magnetism_purcell_solutions_manual.pdf

Table of Contents Automatic Street Light Control System Using Microcontroller

1. Understanding the eBook Automatic Street Light Control System Using Microcontroller
 - The Rise of Digital Reading Automatic Street Light Control System Using Microcontroller
 - Advantages of eBooks Over Traditional Books
2. Identifying Automatic Street Light Control System Using Microcontroller
 - Exploring Different Genres
 - Considering Fiction vs. Non-Fiction
 - Determining Your Reading Goals
3. Choosing the Right eBook Platform
 - Popular eBook Platforms
 - Features to Look for in an Automatic Street Light Control System Using Microcontroller
 - User-Friendly Interface
4. Exploring eBook Recommendations from Automatic Street Light Control System Using Microcontroller
 - Personalized Recommendations
 - Automatic Street Light Control System Using Microcontroller User Reviews and Ratings

Automatic Street Light Control System Using Microcontroller

- Automatic Street Light Control System Using Microcontroller and Bestseller Lists
- 5. Accessing Automatic Street Light Control System Using Microcontroller Free and Paid eBooks
 - Automatic Street Light Control System Using Microcontroller Public Domain eBooks
 - Automatic Street Light Control System Using Microcontroller eBook Subscription Services
 - Automatic Street Light Control System Using Microcontroller Budget-Friendly Options
- 6. Navigating Automatic Street Light Control System Using Microcontroller eBook Formats
 - ePub, PDF, MOBI, and More
 - Automatic Street Light Control System Using Microcontroller Compatibility with Devices
 - Automatic Street Light Control System Using Microcontroller Enhanced eBook Features
- 7. Enhancing Your Reading Experience
 - Adjustable Fonts and Text Sizes of Automatic Street Light Control System Using Microcontroller
 - Highlighting and Note-Taking Automatic Street Light Control System Using Microcontroller
 - Interactive Elements Automatic Street Light Control System Using Microcontroller
- 8. Staying Engaged with Automatic Street Light Control System Using Microcontroller
 - Joining Online Reading Communities
 - Participating in Virtual Book Clubs
 - Following Authors and Publishers Automatic Street Light Control System Using Microcontroller
- 9. Balancing eBooks and Physical Books Automatic Street Light Control System Using Microcontroller
 - Benefits of a Digital Library
 - Creating a Diverse Reading Collection Automatic Street Light Control System Using Microcontroller
- 10. Overcoming Reading Challenges
 - Dealing with Digital Eye Strain
 - Minimizing Distractions
 - Managing Screen Time
- 11. Cultivating a Reading Routine Automatic Street Light Control System Using Microcontroller
 - Setting Reading Goals Automatic Street Light Control System Using Microcontroller
 - Carving Out Dedicated Reading Time
- 12. Sourcing Reliable Information of Automatic Street Light Control System Using Microcontroller
 - Fact-Checking eBook Content of Automatic Street Light Control System Using Microcontroller
 - Distinguishing Credible Sources

13. Promoting Lifelong Learning
 - Utilizing eBooks for Skill Development
 - Exploring Educational eBooks
14. Embracing eBook Trends
 - Integration of Multimedia Elements
 - Interactive and Gamified eBooks

Automatic Street Light Control System Using Microcontroller Introduction

In today's digital age, the availability of Automatic Street Light Control System Using Microcontroller books and manuals for download has revolutionized the way we access information. Gone are the days of physically flipping through pages and carrying heavy textbooks or manuals. With just a few clicks, we can now access a wealth of knowledge from the comfort of our own homes or on the go. This article will explore the advantages of Automatic Street Light Control System Using Microcontroller books and manuals for download, along with some popular platforms that offer these resources. One of the significant advantages of Automatic Street Light Control System Using Microcontroller books and manuals for download is the cost-saving aspect. Traditional books and manuals can be costly, especially if you need to purchase several of them for educational or professional purposes. By accessing Automatic Street Light Control System Using Microcontroller versions, you eliminate the need to spend money on physical copies. This not only saves you money but also reduces the environmental impact associated with book production and transportation. Furthermore, Automatic Street Light Control System Using Microcontroller books and manuals for download are incredibly convenient. With just a computer or smartphone and an internet connection, you can access a vast library of resources on any subject imaginable. Whether you're a student looking for textbooks, a professional seeking industry-specific manuals, or someone interested in self-improvement, these digital resources provide an efficient and accessible means of acquiring knowledge. Moreover, PDF books and manuals offer a range of benefits compared to other digital formats. PDF files are designed to retain their formatting regardless of the device used to open them. This ensures that the content appears exactly as intended by the author, with no loss of formatting or missing graphics. Additionally, PDF files can be easily annotated, bookmarked, and searched for specific terms, making them highly practical for studying or referencing. When it comes to accessing Automatic Street Light Control System Using Microcontroller books and manuals, several platforms offer an extensive collection of resources. One such platform is Project Gutenberg, a nonprofit organization that provides over 60,000 free eBooks. These books are primarily in the public domain, meaning they can be freely distributed and downloaded. Project Gutenberg offers a wide range of classic literature, making it an excellent resource for literature enthusiasts. Another popular platform for Automatic Street Light Control System Using

Automatic Street Light Control System Using Microcontroller

Microcontroller books and manuals is Open Library. Open Library is an initiative of the Internet Archive, a non-profit organization dedicated to digitizing cultural artifacts and making them accessible to the public. Open Library hosts millions of books, including both public domain works and contemporary titles. It also allows users to borrow digital copies of certain books for a limited period, similar to a library lending system. Additionally, many universities and educational institutions have their own digital libraries that provide free access to PDF books and manuals. These libraries often offer academic texts, research papers, and technical manuals, making them invaluable resources for students and researchers. Some notable examples include MIT OpenCourseWare, which offers free access to course materials from the Massachusetts Institute of Technology, and the Digital Public Library of America, which provides a vast collection of digitized books and historical documents. In conclusion, Automatic Street Light Control System Using Microcontroller books and manuals for download have transformed the way we access information. They provide a cost-effective and convenient means of acquiring knowledge, offering the ability to access a vast library of resources at our fingertips. With platforms like Project Gutenberg, Open Library, and various digital libraries offered by educational institutions, we have access to an ever-expanding collection of books and manuals. Whether for educational, professional, or personal purposes, these digital resources serve as valuable tools for continuous learning and self-improvement. So why not take advantage of the vast world of Automatic Street Light Control System Using Microcontroller books and manuals for download and embark on your journey of knowledge?

FAQs About Automatic Street Light Control System Using Microcontroller Books

How do I know which eBook platform is the best for me? Finding the best eBook platform depends on your reading preferences and device compatibility. Research different platforms, read user reviews, and explore their features before making a choice. Are free eBooks of good quality? Yes, many reputable platforms offer high-quality free eBooks, including classics and public domain works. However, make sure to verify the source to ensure the eBook credibility. Can I read eBooks without an eReader? Absolutely! Most eBook platforms offer web-based readers or mobile apps that allow you to read eBooks on your computer, tablet, or smartphone. How do I avoid digital eye strain while reading eBooks? To prevent digital eye strain, take regular breaks, adjust the font size and background color, and ensure proper lighting while reading eBooks. What the advantage of interactive eBooks? Interactive eBooks incorporate multimedia elements, quizzes, and activities, enhancing the reader engagement and providing a more immersive learning experience. Automatic Street Light Control System Using Microcontroller is one of the best book in our library for free trial. We provide copy of Automatic Street Light Control System Using Microcontroller in digital format, so the resources that you find are reliable. There are also many Ebooks of related with Automatic Street Light Control System Using Microcontroller. Where to download Automatic Street

Automatic Street Light Control System Using Microcontroller

Light Control System Using Microcontroller online for free? Are you looking for Automatic Street Light Control System Using Microcontroller PDF? This is definitely going to save you time and cash in something you should think about.

Find Automatic Street Light Control System Using Microcontroller :

electricity and magnetism purcell solutions manual

~~educational administration and supervision~~

~~ebc motorcycle brakes application guide~~

~~edgar allen poe the raven edhelper answers anerleore~~

~~electronic devices and circuit theory 11th edition~~

~~el tercer chimpance the third chimpanzee origen y futuro del animal humano the evolution and future of the human animal spanish edition~~

~~economic development by todaro and smith 11th edition~~

~~economics principles and practices reading essentials and study guide workbook economics principles practic~~

~~electronic devices floyd 9th ed solution~~

~~*editorial vicens vives per*~~

~~edexcel past papers arabic gese~~

electrical engineering sk sahdev

eight white nights a novel

~~economic geography the integration of regions and nations~~

~~*ebook haruki murakami bahasa indonesia*~~

Automatic Street Light Control System Using Microcontroller :

mirtone gsa dh firealarm com - Oct 24 2021

mirtone fire alarm panel repair - Dec 26 2021

mirtone firealarm com - Nov 24 2021

mirtone alarm instructions user manual search engine - Jul 01 2022

Automatic Street Light Control System Using Microcontroller

web specifications resources the mir sra1 communicates with the control panel and up to seven other remote annunciators via the control panel s rs 485 riser remote

mirtone browse by brand - Feb 08 2023

web fire alarm and security system automation camera surveillance system with central station fire burglary central station monitoring about our company our values

mirtone mgcfr vm multi cd strobe rybb fire alarm - May 31 2022

web within the captivating pages of mirtone 8000 fire alarm panel manual a literary masterpiece penned with a renowned author readers set about a transformative journey

mirtone products industrial automation canada - Aug 02 2022

web fire alarm control and power supplies mir2 mcd main control and display 1 5 7 mir2 lcx expander signature data circuit with two notification appliance circuits 1 45 dl2

mirtone mir2 mcmn firealarm com - Aug 14 2023

web fire alarm refer to figure 1 1 a fire alarm is indicated by the alarm led item 1 alarms may be caused by smoke and heat detectors fire alarm stations or the

mirtone mir sra1 used firealarm com - Feb 25 2022

conventional fire alarm control panels fa1000 mircom - May 11 2023

web mircom is the principal brand its product line is split into fire alarm communications security and automation systems secutron secutron has been manufacturing fire

installation and operation manual mircom - Nov 05 2022

web user manual open the pdf directly view pdf page count 1

mirtone alarm manual - Jun 12 2023

web nov 27 2014 with a large capacity of supervised class a style d or class b style b initiating circuits and supervised class a style z or class b style y indicating

mirtone mg4rf s2vm firealarm com - Oct 04 2022

web this product the mirtone mgcfr vm is a visible fire alarm that was designed for indoor ceilings the strobe includes a field configurable switch for selecting the desired candela

mirtone archives firealarm com - Mar 09 2023

web the fa 102u is a supervised 2 zone 24vdc fire alarm control panel the panel provides the following features 2 class b detection zones 1 class b signal zone 1 25a alarm

mirtone 8000 fire alarm panel manual learn copyblogger com - Jan 27 2022

microprocessor based fire alarm control panel mircom - Dec 06 2022

web mirtone sku iac200004030 mirtone 74361t annunciator panel with buzzer and 9 lights new usd 189 99 add to cart compare mirtone sku

fire life safety control panels glendale fire systems - Mar 29 2022

web factory new brand mirtone firealarm com part n04b 9051 manufacturer part gsa dh description specifications resources the gsa dh duct smoke detector housing

building solutions about mircom manufacturing - Jan 07 2023

web cat 5670 fx 350 60 dr intelligent fire alarm control panels cat 9210s fx 4003 12nxt cat 5982s fx 401 addressable fire alarm control panel lt 6027 tx3 usb

product documents mircom - Sep 03 2022

web mirtone 73405u 001 ionization duct smoke detector 001 73486u 73401a 48 73594u 001 photoelectric duct smoke detector 001 73486u 73401a 4 f series fire alarm control

mircom wikipedia - Apr 10 2023

web based fire alarm control panel about the fa 200 mircom s fa 200 fire alarm control panels provide 1 2 4 or 8 supervised clas s b uli style b initiating circuits or 1 2 4

f series fire alarm control panel compatibility list edwards - Apr 29 2022

web fire alarm system installation fire alarm system maintenance unlimited wifi coverage amplification of cellular signals mirtone leave a comment cancel reply you

fire detection alarm sytems solutions mircom - Sep 15 2023

web add to list request a quote factory new material obsolete brand mirtone firealarm com part 60765 manufacturer part mir2 mcmn specifications

system operations manual - Jul 13 2023

web mirtone find download and program your mirtone fire alarm system with the mirtone alarm system programming manual

national coverage determination procedure code 85610 - May 12 2023

web procedure code 85610 prothrombin time pt cms policy number 190 17 back to ncd list description basic plasma coagulation function is readily assessed with a few simple laboratory tests the partial thromboplastin time ptt prothrombin time pt thrombin time tt or a quantitative fibrinogen determination the pt test is one

ncd coding policy manual 85610 2022 jupyterhub bigelow - Sep 04 2022

Automatic Street Light Control System Using Microcontroller

web we have the funds for you this proper as without difficulty as simple pretentiousness to get those all we offer ncd coding policy manual 85610 and numerous book collections from fictions to scientific research in any way along with them is this ncd coding policy manual 85610 that can be your partner ncd coding policy manual 85610 2020 08 27

[reimbursement policy screening and behavioral counseling](#) - Jan 28 2022

web primary care to reduce alcohol misuse ncd 210 8 the hcpcs cpt code s may be subject to correct coding initiative cci edits this policy does not take precedence over cci edits please refer to the cci for correct coding guidelines and specific applicable code cms benefit policy manual chapter 15 270 2 list of medicare

download free ncd coding policy manual 85610 pdf toxa com - Oct 05 2022

web mar 29 2023 help you code quickly accurately and easily 130 procedural and anatomical illustrations including 10 new illustrations to help visually confirm procedures being coded color coded keys that make identifying section headings coding changes and coding alerts easier pre installed thumb notch

lab ncfs icd 10 cms centers for medicare medicaid services - Feb 09 2023

web based on the 2010 affordable care act 2010 the icd 10 cm codeset is used instead of icd 9 cm by all covered entities to encode diagnoses in hipaa regulated transactions such as medicare billing claims for diagnostic clinical laboratory services

ncd coding policy manual 85610 pdf 2023 gestudy byu edu - Mar 10 2023

web jun 21 2023 ncd coding policy manual 85610 wef tamu web target to download and install the ncd coding policy manual 85610 it is extremely easy then in the past currently we extend the link to buy and make bargains to download and install ncd coding policy manual 85610 correspondingly simple ncd coding policy manual 85610 downloaded

ncd coding policy manual 85610 pdf 2023 - Nov 06 2022

web apr 23 2023 ncd coding policy manual 85610 pdf is easy to use in our digital library an online admission to it is set as public appropriately you can download it instantly our digital library saves in complex countries allowing you to acquire the most less latency epoch to download any of our

ncd coding policy manual 85610 pdf book mckennalwilson com - Apr 11 2023

web apr 6 2023 ncd coding policy manual 85610 pdf this is likewise one of the factors by obtaining the soft documents of this ncd coding policy manual 85610 pdf by online you might not require more epoch to spend to go to the books launch as

ncdcodingpolicymanual85610 pdf dev sfcg - Dec 07 2022

web comprehensive informative and easy to use code book contains more than 600 new code and guideline changes and other updates to help you code quickly accurately and easily 130 procedural and anatomical illustrations including 10 new illustrations to help visually confirm procedures being coded

medicare national coverage determinations ncd coding policy manual - Jan 08 2023

Automatic Street Light Control System Using Microcontroller

web sep 15 2020 medicare national coverage determinations ncd coding policy manual and change report icd 10 cm january 2016 guidance for national coverage determinations ncd coding policy manual and change report icd 10 cm this edition reflects the january 2016 changes download the guidance document

[icd 10 2023 code n508 diagnosis hipaaspace](#) - Mar 30 2022

web code n508 icd 10 cm or icd 10 pcs code value note dots are not included diagnosis coding under this system uses 3 7 alpha and numeric digits the icd 10 procedure coding system uses 7 alpha or numeric digits dotted code n50 8 icd 10 cm or icd 10 pcs code value note dots are included code type diagnosis

what is the ncci class code 8810 j l risk management - Dec 27 2021

web may 21 2009 class code 8810 is the administrative clerical code that is used in all 50 states including the monopolistic states it is usually the least expensive code as employees that fall under the class code are considered very low risks for a workers compensation accident stockunlimited this type of code is what is referred to as a

[ncd coding policy manual 85610 help environment harvard edu](#) - Jun 01 2022

web the ncd coding policy manual 85610 it is categorically simple then before currently we extend the associate to purchase and create bargains to download and install ncd coding policy manual 85610 therefore simple how to set up and manage a corporate learning centre samuel a malone 2016 04 29 few corporate initiatives of the last ten years

ncd coding policy manual 85610 pdf full pdf support ortax - Jun 13 2023

web ncd coding policy manual 85610 pdf introduction ncd coding policy manual 85610 pdf full pdf

190 17 prothrombin time pt pathology lab - Jul 14 2023

web hcpcs codes alphanumeric cpt ama code description 85610 prothrombin time icd 10 cm codes covered by medicare program the icd 10 cm codes in the table below can be viewed on cms website as part of downloads lab code list at cms gov medicare coverage coveragegeninfo labncdsicd10 html code

ncd coding policy manual 85610 copy uniport edu - Feb 26 2022

web ncd coding policy manual 85610 1 9 downloaded from uniport edu ng on june 3 2023 by guest ncd coding policy manual 85610 as recognized adventure as without difficulty as experience about lesson amusement as without difficulty as arrangement can be gotten by just checking out a ebook ncd coding policy manual 85610

ncd coding policy manual 85610 copy clarkeshardware - Aug 03 2022

web books ncd coding policy manual 85610 is additionally useful you have remained in right site to start getting this info acquire the ncd coding policy manual 85610 partner that we manage to pay for here and check out the link you could purchase lead ncd coding policy manual 85610 or acquire it as soon as feasible you could quickly download

ncd prothrombin time pt 190 17 centers for medicare - Aug 15 2023

Automatic Street Light Control System Using Microcontroller

web nov 25 2002 07 2004 published ncd in the ncd manual without change to narrative contained in pm ab 02 110 coding guidance now published in medicare lab ncd manual effective and implementation dates na as clinical or administrative codes change or system or policy requirements dictate cr instructions are updated to ensure the
ncd coding policy manual 85610 pdf book - Jul 02 2022

web aug 29 2023 visual alerts including color coding and symbols that identify coding notes and instructions additional character requirements codes associated with cms hierarchical condition categories hcc medicare code edits mces manifestation codes other specified codes and unspecified codes placeholder x

ncd coding policy manual 85610 pdf beta infrastrukturyheter - Apr 30 2022

web ncd coding policy manual 85610 unveiling the magic of words a report on ncd coding policy manual 85610 in a world defined by information and interconnectivity the enchanting power of words has acquired unparalleled significance their ability to kindle emotions provoke contemplation and ignite transformative change is actually awe

nha phlebotomy final exam 2023 2024 100 correct answers - Apr 28 2022

web may 15 2023 nha phlebotomy exam 2023 complete solution package 221 34 55 49 16 items 1 exam elaborations nha phlebotomy exam questions with correct answers latest update 2023 2024 2 exam elaborations phlebotomy nha exam 2023 2024 with questions and answers 3 exam elaborations nha pct exam study guide latest 2023 4
free phlebotomy flashcards studystack - Sep 02 2022

web may 15 2023 phlebotomy final exam 156 cards 2023 10 05 23 pmi medical terms suffix 19 cards 2022 12 19 22
phlebotomy collection procedures 9 cards 2023 03 01 21

phlebotomy mcq quiz with answers proprofs quiz - Feb 24 2022

web may 29 2023 hello and welcome to this ultimate phlebotomy mcq quiz with answers we have designed this quiz to test out how skilled you are as a phlebotomist and whether your patients are in good hands as we know taking blood from a patient for testing or donating purposes is no easy task and someone with little knowledge about it can harm a
[phlebotomy final test 2022 questions and answers stuvia](#) - Mar 28 2022

web may 29 2022 start selling ans therapeutic medication blood level cardiac enzymes for heart patients time spec glucose tolerance test ans ogtt measures the ability to metabolize a large oral dose of sugar fasting ans specimen taken in basal state no food or physical activity abstain food for 8 to 12 hours

phlebotomy final exam 2022 flashcards quizlet - Jan 06 2023

web 1 another name for blood blank is immunohematology 2 the chemistry department within the clinical laboratory is reviewing current processing and policies with which other hospital department will the laboratory coordinate therapeutic drug monitoring the pharmacy 3 which levels are measured with an electrolyte panel sodium potassium

Automatic Street Light Control System Using Microcontroller

phlebotomy final exam flashcards quizlet - May 10 2023

web oct 21 2023 the chance for infection is greater the primary duty of the phlebotomist is the collection of blood specimens notes to study for phlebotomy final exam learn with flashcards games and more for free

phlebotomy final exam review flashcards quizlet - Oct 15 2023

web 100 terms coxkayla7447 preview phlebotomy final exam 160 questions 178 terms aleixs jordan preview phlebotomy final test 94 terms marianadouglin2 preview terms in this set 56 true or false infections can occur even if the patient is not presenting symptoms true true or false sharps containers are spill proof true

final exam phlebotomy flashcards quizlet - Feb 07 2023

web q chat created by carlie brooke4 terms in this set 100 a duty associated with routine blood collection includes transporting sample to laboratory you have entered a patient s room and explained that you need to draw blood

phlebotomy practice exam 2023 current with fully explained answers - Sep 14 2023

web the phlebotomy certification exams cover subjects such as the circulatory system infection control and safety orders and equipment selection patient id and site preparation specimen collections processing and transport problems and corrections and professional issues view answers as you go view 1 question at a time

phlebotomy final exam quiz proprofs quiz - Jul 12 2023

web oct 13 2023 correct answer a hand washing before and after contact with each patient explanation hand washing before and after contact with each patient is the single most important means of preventing the spread of infection because it helps to remove and kill any microorganisms that may be present on the hands

phlebotomy final exam questions and answers docmerit - May 30 2022

web mar 3 2023 phlebotomy final exam questions and answers multiple choice identify the choice that best completes the statement or answers the question 1 which of the following acronyms is not a certification agency for phlebotomists a ascp b aspt c amt d naacls 2 which of the following terms is evide

68 phlebotomy quizzes questions answers trivia proprofs - Apr 09 2023

web nov 6 2023 sample question you are asked to draw for reticulocyte count what tube do you use red lt blue green lavender lt blue lavender phlebotomy practice quiz phlebotomy practice quiz if you re planning to be a phlebotomist it s safe to say that you have no fear of needles

free phlebotomy practice tests 2023 5 exams test guide - Oct 03 2022

web jun 24 2023 we broke down each of the 6 pathways below 1 american society for clinical pathology ascp phlebotomy

phlebotomy final exam 179 questions with complete - Nov 04 2022

web nov 15 2022 phlebotomy institution kaplan university blood culture tubes correct answer 1 aerobic 2 anaerobic 3

pediatrics yellow tops light blue citrated tubes correct answer tests pt ptt 1nr clotting additives sodium citrate sst tubes correct answer there is a gel at the bottom comes in a gold and tiger top always

phlebotomy final exam review quizalize - Aug 01 2022

web quiz your students on phlebotomy final exam review practice problems using our fun classroom quiz game quizalize and personalize your teaching

phlebotomy final exam practice part 1 24 questions - Dec 05 2022

web mar 21 2023 explanation pku stands for phenylketonuria which is a genetic disorder characterized by the inability to metabolize phenylalanine an amino acid found in many foods this condition is caused by a deficiency of the enzyme phenylalanine hydroxylase which is responsible for breaking down phenylalanine

phlebotomy final exam practice questions 2023 flashcards - Aug 13 2023

web pathology therapeutic phlebotomy is performed as a treatment for patients with polycythemia vera what laboratory department does the pap test cytology

certificate in phlebotomy temasek polytechnic - Jun 30 2022

web participant who has met the minimum 75 attendance requirement satisfactorily completed at least fifty 50 phlebotomies first draw independently at their own organization and pass the theory assessment will be awarded a certificate in phlebotomy by temasek polytechnic participant who has met the minimum 75 attendance requirement and

phlebotomy final exam flashcards quizlet - Mar 08 2023

web 1 100 flashcards learn test match q chat created by coxkayla7447 students also viewed phlebotomy final exam 150 terms jessica maxwell74 preview phlebotomy final exam 124 terms isabel00771 preview phlebotomy final exam review teacher 56 terms bell brown preview when does my patient need a crown 8 terms josielewis2000

phlebotomy 100 questions and answers flashcards quizlet - Jun 11 2023

web if the phlebotomist collects blood in the neonatology department what type of patient is he or she performing blood collections on hours to a few days old a primary consultant on the timing for collecting blood for drug levels is found in which of the following