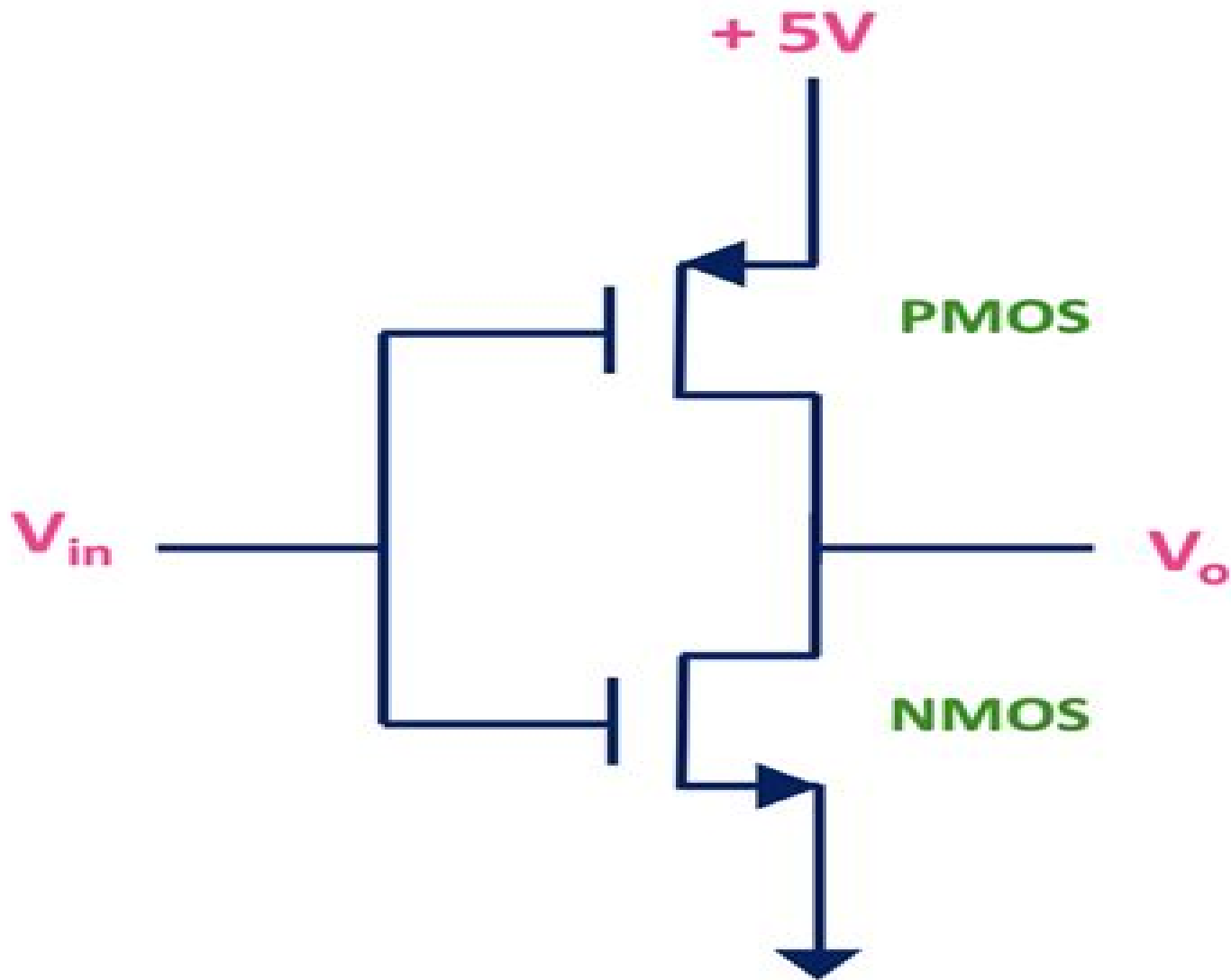


CMOS Inverter



Cmos Technology Logic Data Text

ML Yell



Cmos Technology Logic Data Text:

Top-Down Digital VLSI Design Hubert Kaeslin, 2014-12-07 Top Down VLSI Design From Architectures to Gate Level Circuits and FPGAs represents a unique approach to learning digital design Developed from more than 20 years teaching circuit design Doctor Kaeslin s approach follows the natural VLSI design flow and makes circuit design accessible for professionals with a background in systems engineering or digital signal processing It begins with hardware architecture and promotes a system level view first considering the type of intended application and letting that guide your design choices Doctor Kaeslin presents modern considerations for handling circuit complexity throughput and energy efficiency while preserving functionality The book focuses on application specific integrated circuits ASICs which along with FPGAs are increasingly used to develop products with applications in telecommunications IT security biomedical automotive and computer vision industries Topics include field programmable logic algorithms verification modeling hardware synchronous clocking and more Demonstrates a top down approach to digital VLSI design Provides a systematic overview of architecture optimization techniques Features a chapter on field programmable logic devices their technologies and architectures Includes checklists hints and warnings for various design situations Emphasizes design flows that do not overlook important action items and which include alternative options when planning the development of microelectronic circuits

VLSI-SoC: System-on-Chip in the Nanoscale Era - Design, Verification and Reliability Thomas Hollstein, Jaan Raik, Sergei Kostin, Anton Tšertov, Ian O'Connor, Ricardo Reis, 2017-08-31 This book contains extended and revised versions of the best papers presented at the 24th IFIP WG 10.5 IEEE International Conference on Very Large Scale Integration VLSI SoC 2016 held in Tallinn Estonia in September 2016 The 11 papers included in the book were carefully reviewed and selected from the 36 full papers presented at the conference The papers cover a wide range of topics in VLSI technology and advanced research They address the latest scientific and industrial results and developments as well as future trends in the field of System on Chip SoC Design

New Advances in Semiconductors Alberto Adriano Cavalheiro, 2022-06-15 New Advances in Semiconductors brings together contributions from important researchers around the world on semiconductor materials and their applications It includes seven chapters in two sections Calculations and Simulations in Semiconductors and Semiconductor Materials The world will emerge different after the social and economic reorganizations caused by the COVID 19 pandemic and will be even more dependent on semiconductors than ever before New Advances in Semiconductors is a book that brings together the contributions of important researchers around the world and is able to give an idea about the different characteristics of semiconductor materials and their applications There is a section dedicated to theory calculations and logic and another dedicated to the development and characterization of semiconductor materials of great future interest I really hope that this book will help to spread knowledge about this research field to other researchers and students working in this area or even to those interested in starting their more advanced studies

Subject Guide to Books in Print , 1996

Microprocessor Data Book S. A. Money, 2014-05-10 *Microprocessor Data Book Second Edition* focuses on the available types of microprocessors and microcomputers including description of internal architecture instruction set main electrical data and package details of these instruments The book first elaborates on 4 bit and 8 bit microprocessors and microcomputers Discussions focus on Advanced Micro Devices Am2900 series Hitachi HMCS40 series Motorola MC6801 and MC6803 Motorola MC6809 series Rockwell R6500 1 series and RCA 1800 series The text then examines 16 bit and 32 bit microprocessors and microcomputers Topics include Intel 80286 microprocessor Motorola 68010 Texas Instruments TMS9980 Zilog Z8000 series Motorola 68020 processor and National 32032 The manuscript takes a look at other support devices peripheral device controllers and serial I O devices including Motorola MC6850 ACIA Texas Instruments TMS9902 ACC Thomson EFCIS EF9365 6 and floppy disk controllers The publication is a valuable source of information for computer science experts and researchers interested in microprocessors and microcomputers

Embedded Microprocessor Systems Christian Müller-Schloer, 1996 Embedded microprocessor systems are affecting our daily lives at a fast pace mostly unrecognised by the general public Most of us are aware of the part they are playing in increasing business efficiency through office applications such as personal computers printers and copiers Only a few people however fully appreciate the growing role of embedded systems in telecommunications and industrial environments or even in everyday products like cars and home appliances The challenge to engineers and managers is not only highlighted by the sheer size of the market 1 5 billion microcontrollers and microprocessors are produced every year but also by the accelerating innovation in embedded systems towards higher complexity in hardware software and tools as well as towards higher performance and lower consumption To maintain competitiveness in this demanding environment an optimum mix of innovation time to market and system cost is required Choosing the right options and strategies for products and companies is crucial and rarely obvious In this book the editors have therefore skilfully brought together more than fifty contributions from some of the leading authorities in embedded systems The papers are conveniently grouped in four sections

Digital Electronics Byron W. Putman, 1986

Electronic Design, 1988

Engineer's Year-book of Formulae, Rules, Tables, Data & Memoranda, 1987

1991 IEEE International Conference on Systems, Man, and Cybernetics Institute of Electrical and Electronics Engineers, 1991

Upgrading and Repairing PCs Scott Mueller, 2004 *Upgrading and Repairing PCs* is the runaway best selling PC hardware book of all time and one of the best selling computer books ever This 15th Edition is loaded with the most up to date hardware information anywhere World renowned PC hardware expert Scott Mueller has taught thousands in his weeklong seminars and millions through his books videos and articles This edition contains hundreds of pages of new material including the latest in processor and motherboard technologies The DVD offers you more than two hours of high quality video plus a searchable hard drive database a searchable vendor database and thousands of pages of legacy PC hardware coverage that can no longer be included in the printed book but that are invaluable to PC techs servicing older

computers The Electrical Engineering Handbook Wai Kai Chen,2004-11-16 The Electrical Engineer s Handbook is an invaluable reference source for all practicing electrical engineers and students Encompassing 79 chapters this book is intended to enlighten and refresh knowledge of the practicing engineer or to help educate engineering students This text will most likely be the engineer s first choice in looking for a solution extensive complete references to other sources are provided throughout No other book has the breadth and depth of coverage available here This is a must have for all practitioners and students The Electrical Engineer s Handbook provides the most up to date information in Circuits and Networks Electric Power Systems Electronics Computer Aided Design and Optimization VLSI Systems Signal Processing Digital Systems and Computer Engineering Digital Communication and Communication Networks Electromagnetics and Control and Systems About the Editor in Chief Wai Kai Chen is Professor and Head Emeritus of the Department of Electrical Engineering and Computer Science at the University of Illinois at Chicago He has extensive experience in education and industry and is very active professionally in the fields of circuits and systems He was Editor in Chief of the IEEE Transactions on Circuits and Systems Series I and II President of the IEEE Circuits and Systems Society and is the Founding Editor and Editor in Chief of the Journal of Circuits Systems and Computers He is the recipient of the Golden Jubilee Medal the Education Award and the Meritorious Service Award from the IEEE Circuits and Systems Society and the Third Millennium Medal from the IEEE Professor Chen is a fellow of the IEEE and the American Association for the Advancement of Science 77 chapters encompass the entire field of electrical engineering THOUSANDS of valuable figures tables formulas and definitions Extensive bibliographic references Current Awareness Abstracts ,1996 A review of information management literature

Multiple-valued Logic in VLSI Design Jon T. Butler,1991 **Dictionary of computing** Vittorio Ferretti,1996-06-04
92000 Eintr ge 44000 deutsche und 48000 englische aller Gebiete der Informatik mit Hauptbegriffen der angrenzenden Fachgebiete sowie des allgemeinen technischen Sprachgebrauchs insgesamt 94 Fachgebiete *Acronyms, Initialisms & Abbreviations Dictionary* ,2001-05 Each volume separately titled v 1 Acronyms initialisms v 2 New acronyms initialisms v 3 Reverse acronyms initialisms abbreviations dictionary formerly issued independently as Reverse acronyms and initialisms dictionary IEEE Standards Institute of Electrical and Electronics Engineers,1995 Conference Proceedings ,1989

Digital Electronics Robert D. Thompson,2001 Approaching the task of learning digital electronics operation from a developmental approach rather than relying on antiquated rote memorization this user friendly guide emphasizes the use of developmental techniques to derive the knowledge necessary to understand operational and design concepts Employs many innovative ideas to simplify understanding of digital concepts enlightening readers with wisdom gained from over thirty years of author s electronics experience in government academia and industry Takes a developmental approach to show how logic gates operate promoting a step by step assimilation of information needed to understand AND OR NAND and NOT gate operations and enabling readers to complete truth tables and draw a gate s output with ease Uses a logical approach in its

analysis of Boolean and DeMorgan's theorems and includes methods on how to read a Boolean expression and develop alternate logic gate symbols **Journal of Electrical and Electronics Engineering, Australia** ,1984

Discover tales of courage and bravery in Explore Bravery with is empowering ebook, **Cmos Technology Logic Data Text** . In a downloadable PDF format (Download in PDF: *), this collection inspires and motivates. Download now to witness the indomitable spirit of those who dared to be brave.

https://py.bijouxmedusa.com/results/publication/Download_PDFS/Paco_De_Lucia_Libro_1_Partituras_La_Fabulosa_Guitarra_Paperback.pdf

Table of Contents Cmos Technology Logic Data Text

1. Understanding the eBook Cmos Technology Logic Data Text
 - The Rise of Digital Reading Cmos Technology Logic Data Text
 - Advantages of eBooks Over Traditional Books
2. Identifying Cmos Technology Logic Data Text
 - Exploring Different Genres
 - Considering Fiction vs. Non-Fiction
 - Determining Your Reading Goals
3. Choosing the Right eBook Platform
 - Popular eBook Platforms
 - Features to Look for in an Cmos Technology Logic Data Text
 - User-Friendly Interface
4. Exploring eBook Recommendations from Cmos Technology Logic Data Text
 - Personalized Recommendations
 - Cmos Technology Logic Data Text User Reviews and Ratings
 - Cmos Technology Logic Data Text and Bestseller Lists
5. Accessing Cmos Technology Logic Data Text Free and Paid eBooks
 - Cmos Technology Logic Data Text Public Domain eBooks
 - Cmos Technology Logic Data Text eBook Subscription Services
 - Cmos Technology Logic Data Text Budget-Friendly Options

6. Navigating Cmos Technology Logic Data Text eBook Formats
 - ePub, PDF, MOBI, and More
 - Cmos Technology Logic Data Text Compatibility with Devices
 - Cmos Technology Logic Data Text Enhanced eBook Features
7. Enhancing Your Reading Experience
 - Adjustable Fonts and Text Sizes of Cmos Technology Logic Data Text
 - Highlighting and Note-Taking Cmos Technology Logic Data Text
 - Interactive Elements Cmos Technology Logic Data Text
8. Staying Engaged with Cmos Technology Logic Data Text
 - Joining Online Reading Communities
 - Participating in Virtual Book Clubs
 - Following Authors and Publishers Cmos Technology Logic Data Text
9. Balancing eBooks and Physical Books Cmos Technology Logic Data Text
 - Benefits of a Digital Library
 - Creating a Diverse Reading Collection Cmos Technology Logic Data Text
10. Overcoming Reading Challenges
 - Dealing with Digital Eye Strain
 - Minimizing Distractions
 - Managing Screen Time
11. Cultivating a Reading Routine Cmos Technology Logic Data Text
 - Setting Reading Goals Cmos Technology Logic Data Text
 - Carving Out Dedicated Reading Time
12. Sourcing Reliable Information of Cmos Technology Logic Data Text
 - Fact-Checking eBook Content of Cmos Technology Logic Data Text
 - Distinguishing Credible Sources
13. Promoting Lifelong Learning
 - Utilizing eBooks for Skill Development
 - Exploring Educational eBooks
14. Embracing eBook Trends
 - Integration of Multimedia Elements

- Interactive and Gamified eBooks

Cmos Technology Logic Data Text Introduction

Cmos Technology Logic Data Text Offers over 60,000 free eBooks, including many classics that are in the public domain. Open Library: Provides access to over 1 million free eBooks, including classic literature and contemporary works. Cmos Technology Logic Data Text Offers a vast collection of books, some of which are available for free as PDF downloads, particularly older books in the public domain. Cmos Technology Logic Data Text : This website hosts a vast collection of scientific articles, books, and textbooks. While it operates in a legal gray area due to copyright issues, its a popular resource for finding various publications. Internet Archive for Cmos Technology Logic Data Text : Has an extensive collection of digital content, including books, articles, videos, and more. It has a massive library of free downloadable books. Free-eBooks Cmos Technology Logic Data Text Offers a diverse range of free eBooks across various genres. Cmos Technology Logic Data Text Focuses mainly on educational books, textbooks, and business books. It offers free PDF downloads for educational purposes. Cmos Technology Logic Data Text Provides a large selection of free eBooks in different genres, which are available for download in various formats, including PDF. Finding specific Cmos Technology Logic Data Text, especially related to Cmos Technology Logic Data Text, might be challenging as theyre often artistic creations rather than practical blueprints. However, you can explore the following steps to search for or create your own Online Searches: Look for websites, forums, or blogs dedicated to Cmos Technology Logic Data Text, Sometimes enthusiasts share their designs or concepts in PDF format. Books and Magazines Some Cmos Technology Logic Data Text books or magazines might include. Look for these in online stores or libraries. Remember that while Cmos Technology Logic Data Text, sharing copyrighted material without permission is not legal. Always ensure youre either creating your own or obtaining them from legitimate sources that allow sharing and downloading. Library Check if your local library offers eBook lending services. Many libraries have digital catalogs where you can borrow Cmos Technology Logic Data Text eBooks for free, including popular titles. Online Retailers: Websites like Amazon, Google Books, or Apple Books often sell eBooks. Sometimes, authors or publishers offer promotions or free periods for certain books. Authors Website Occasionally, authors provide excerpts or short stories for free on their websites. While this might not be the Cmos Technology Logic Data Text full book , it can give you a taste of the authors writing style. Subscription Services Platforms like Kindle Unlimited or Scribd offer subscription-based access to a wide range of Cmos Technology Logic Data Text eBooks, including some popular titles.

FAQs About Cmos Technology Logic Data Text Books

What is a Cmos Technology Logic Data Text PDF? A PDF (Portable Document Format) is a file format developed by Adobe that preserves the layout and formatting of a document, regardless of the software, hardware, or operating system used to view or print it. **How do I create a Cmos Technology Logic Data Text PDF?** There are several ways to create a PDF: Use software like Adobe Acrobat, Microsoft Word, or Google Docs, which often have built-in PDF creation tools. Print to PDF: Many applications and operating systems have a "Print to PDF" option that allows you to save a document as a PDF file instead of printing it on paper. Online converters: There are various online tools that can convert different file types to PDF. **How do I edit a Cmos Technology Logic Data Text PDF?** Editing a PDF can be done with software like Adobe Acrobat, which allows direct editing of text, images, and other elements within the PDF. Some free tools, like PDFescape or Smallpdf, also offer basic editing capabilities. **How do I convert a Cmos Technology Logic Data Text PDF to another file format?** There are multiple ways to convert a PDF to another format: Use online converters like Smallpdf, Zamzar, or Adobe Acrobats export feature to convert PDFs to formats like Word, Excel, JPEG, etc. Software like Adobe Acrobat, Microsoft Word, or other PDF editors may have options to export or save PDFs in different formats. **How do I password-protect a Cmos Technology Logic Data Text PDF?** Most PDF editing software allows you to add password protection. In Adobe Acrobat, for instance, you can go to "File" -> "Properties" -> "Security" to set a password to restrict access or editing capabilities. Are there any free alternatives to Adobe Acrobat for working with PDFs? Yes, there are many free alternatives for working with PDFs, such as: LibreOffice: Offers PDF editing features. PDFsam: Allows splitting, merging, and editing PDFs. Foxit Reader: Provides basic PDF viewing and editing capabilities. How do I compress a PDF file? You can use online tools like Smallpdf, ILovePDF, or desktop software like Adobe Acrobat to compress PDF files without significant quality loss. Compression reduces the file size, making it easier to share and download. Can I fill out forms in a PDF file? Yes, most PDF viewers/editors like Adobe Acrobat, Preview (on Mac), or various online tools allow you to fill out forms in PDF files by selecting text fields and entering information. Are there any restrictions when working with PDFs? Some PDFs might have restrictions set by their creator, such as password protection, editing restrictions, or print restrictions. Breaking these restrictions might require specific software or tools, which may or may not be legal depending on the circumstances and local laws.

Find Cmos Technology Logic Data Text :

[paco de lucia libro 1 partituras la fabulosa guitarra paperback](#)

[pearson reaction rates and equilibrium packet answers](#)

[outlander heartthrob sam heughan arrives at glasgow](#)

[partition gratuite petite fleur sidney bechet](#)

patton a genius for war carlo deste

pawn of prophecy the belgariad 1 david eddings

[pandora part 2 mortzeart adult games yq1g ayatcilik](#)

[pearson education math grade 5 answer key](#)

~~paternidad libre de gritos screamparenting el acercamiento revolucionario para educar a tus hijos manteniendo la calma the revolutionary kids by keeping your cool spanish edition~~

our cuisinart 3 in 1 burger press cookbook 99 stuffed recipes for your non stick hamburger patty maker burgers stuffed burgers sliders for your entertainment volume 1

[pearson edexcel level 1 level 2 gcse 9 maths english](#)

overseas military address designations city st zip country

[parallel programming in c with mpi and openmp](#)

os pilares da terra volume i ken follett

[past exam papers grade 12 life science](#)

Cmos Technology Logic Data Text :

[star wars anakin obi wan s 10 greatest moments screen rant](#) - Jul 03 2022

web jul 30 2020 published jul 30 2020 in the star wars franchise the most important relationship anakin skywalker has is with his jedi master obi wan kenobi the two share epic scenes george lucas managed to differentiate the star wars prequel trilogy from the original trilogy by telling a completely different kind of story

obi wan kenobi deepens the star wars tragedy of anakin - Oct 06 2022

web jun 22 2022 in just six episodes obi wan kenobi adds more fuel to the never ending fire of star wars storytelling as it deepens the tragic ends of anakin s arc while the series follows obi wan on his

[star wars obi wan ve anakin sithpedi fandom](#) - Sep 05 2022

web beş sayılık seri star wars bölüm i gizli tehlike filminden 3 yıl sonra geçmekte ve jedi Şövalyesi obi wan kenobi ile padawanı anakin skywalker in carnelion iv gezegeninden gelen gizemli bir çağrışı aramalarını anlatmaktadır

obi wan and anakin 2016 comic series marvel - Jun 14 2023

web browse the marvel comic series obi wan and anakin 2016 check out individual issues and find out how to read them

obi wan and anakin 2016 2 comic issues marvel - Feb 10 2023

web jan 20 2016 browse the marvel comics issue obi wan and anakin 2016 2 learn where to read it and check out the comic

s cover art variants writers more

star wars 10 key moments in obi wan and anakin s relationship collider - Aug 04 2022

web jul 22 2022 movie star wars 10 key moments in obi wan and anakin s relationship by daniella di carlo published jul 22

2022 you were my brother with the release of obi wan kenobi on disney

poll who is more powerful obi wan or anakin starwars com - Feb 27 2022

web apr 3 2020 to celebrate the release of star wars the rise of skywalker on home entertainment we consider two powerful jedi anakin skywalker and obi wan kenobi

obi wan and anakin 5 wookieepedia fandom - Jan 09 2023

web obi wan and anakin 5 is the fifth and final issue of the canon comic book miniseries star wars obi wan and anakin the issue was written by charles soule illustrated by marco checchetto and published on may 25 2016 by marvel comics war breaks out with our jedi caught in the middle master

obi wan and anakin s comic history marvel - Jul 15 2023

web may 4 2021 in the star wars saga jedi obi wan kenobi and anakin skywalker represent two sides of the same coin only their paths have differed revisit the comics history and defining beats from this jedi master and a fallen apprentice

star wars obi wan and anakin wookieepedia fandom - Aug 16 2023

web star wars obi wan and anakin stylized as obi wan anakin is a canon comic book miniseries written by charles soule and illustrated by marco checchetto the five issue series is set three years after star wars episode i the phantom menace and focuses on jedi knight obi wan kenobi and his padawan anakin skywalker 1 as they explore

obi wan and anakin 1 wookieepedia fandom - Mar 11 2023

web obi wan and anakin 1 is the first issue of the canon comic book miniseries star wars obi wan and anakin the issue was written by charles soule illustrated by marco checchetto and published on january 6 2016 by marvel comics before their military heroism in the clone wars before their

obi wan and anakin 4 wookieepedia fandom - Dec 08 2022

web obi wan and anakin 4 is the fourth penultimate issue of the canon comic book miniseries star wars obi wan and anakin the issue was written by charles soule illustrated by marco checchetto and published on april 20 2016 by marvel comics obi wan sic and anakin are trapped on opposite

star wars 10 things obi wan can do that anakin can t cbr - Jan 29 2022

web aug 7 2021 by isaac williams published aug 7 2021 anakin had abilities and achievements that obi wan could never hope to match but the same is true of obi wan to anakin obi wan kenobi and anakin skywalker are best friends and allies in star wars and star wars the clone wars and then later bitter enemies

[obi wan and anakin starwars com](#) - Mar 31 2022

web oct 12 2015 teaching with star wars the conflict between anakin and obi wan in star wars attack of the clones july 15 2020 july 15 2020 jul 15

obi wan and anakin 2 wookieepedia fandom - Nov 07 2022

web obi wan and anakin 2 is the second issue of the canon comic book miniseries star wars obi wan and anakin the issue was written by charles soule illustrated by marco checchetto and published on february 3 2016 by marvel comics master and padawan find themselves stranded on an unfamiliar world a world of strange primitive

obi wan kenobi tv series wikipedia - Dec 28 2021

web cast and characters starring ewan mcgregor as obi wan kenobi a jedi master who survived order 66 and now lives in exile under the name ben on the planet tatooine watching over young luke skywalker

star wars obi wan anakin tv series 2018 2019 imdb - May 13 2023

web star wars obi wan anakin with zachary allen thierry felix conatus candice faith thejediexile bridging the gap between the phantom menace and attack of the clones this is the story of the time that obi wan kenobi s padawan anakin skywalker almost abandoned the jedi order

the fall of anakin skywalker fight with obi wan kenobi - May 01 2022

web dec 29 2015 star wars episode iii revenge of the sith anakin skywalker is anointed as darth vader in order to create the first galactic empire in the fight with his former master obi wan kenobi skywalker

obi wan and anakin 1 stories from the road to disaster - Jun 02 2022

web nov 23 2016 obi wan tells anakin that the planet has been ravaged by war in response anakin expresses his shock shock i say that the republic would allow something as egregious as a war to occur they d totally never let that happen

[anakin skywalker and obi wan kenobi always two starwars](#) - Apr 12 2023

web aug 3 2018 in the obi wan anakin comic book series the two jedi are sent on a rescue mission to the ruined planet carnellion iv anakin was considering leaving the jedi order disturbed by what he saw as the hypocrisy of the republic

veewo games - Apr 26 2022

web making gameswith love veewo is an award winning and gamer oriented gaming studio based in xiamen china we are committed to delivering replayable surprising and dramatic gaming experiences to global players super phantom cat saga lives on with return of second generation go on a meow nificent adventure all over again with this

the geo lesmethode aardrijkskunde tweetalig onderwijs - Jul 10 2023

web the geo lrn line is een methode aardrijkskunde tweetalig voor de onderbouw van havo en vwo vertaald door een kwalitatief hoogwaardig vertaalbureau dat extra aandacht heeft besteed aan het begrip van aardrijkskundige termen

de geo 2 vwo aardrijkskunde voor de onderbouw lesboek - Aug 31 2022

web sep 6 2020 [bekijk alle 20 samenvattingen van de geo 2 vwo aardrijkskunde voor de onderbouw lesboek](#) geschreven door ten brinke chris de jong de samenvattingen van de geo 2 vwo aardrijkskunde voor de onderbouw lesboek op stuvia zijn geschreven door studenten of docenten waardoor je de inhoud van het studieboek makkelijker en

thiemo de geo aardrijkskunde lrn line onderbouw vwo 2 - Aug 11 2023

web dit is de docentenpagina voor vwo 2 dit hoofdstuk is onderdeel van de methode de geo aardrijkskunde lrn line onderbouw

methode aardrijkskunde thiememeulenhoff - Feb 05 2023

web de geo is een unieke lesmethode voor het vak aardrijkskunde voor vmbo havo en vwo op het voortgezet onderwijs er is bewust gekozen voor een regionale insteek ben je benieuwd hoe je met de geo inspirerend lesgeeft lees meer over de geo

thiemo de geo aardrijkskunde lrn line onderbouw havo vwo 2 - Jun 09 2023

web alle opdracht afbeelding alcarta video nog 4 kaartjes [bekijk alles dit is de docentenpagina voor hoofdstuk 2 van de bergen naar de zee dit hoofdstuk is onderdeel van de methode de geo aardrijkskunde lrn line onderbouw havo vwo 2](#)

de geo basisboek aardrijkskunde onderbouw issuu - Mar 06 2023

web dec 10 2018 de geo basisboek is een onderdeel van de aardrijkskundemethode de geo geordend de grondleggers zijn prof dr r tamsma h dragt en w a hofland sinds 1968 en j bos en dr j

de geo havo vwo 1ste klas hoofdstuk 2 stuvia - May 28 2022

web mar 17 2020 niveau havo boek de geo lesboek 1 vwo dit betreft een samenvatting behorende bij

aardrijkskundemethode de geo hoofdstuk 2 voor de eerste klas van de havo en het vwo hierin worden paragrafen 1 t m 6 behandeld inclusief de bijbehorende nummers uit het basisboek voorbeeld 1 van de 21 pagina s meld schending auteursrecht

dewo what does dewo stand for the free dictionary - Feb 22 2022

web haryo diko dewo deputy chief of the traffic accident unit of the local police station was quoted as saying

de geo 2 havo vwo lesboek aardrijkskunde voor de onderbouw - Jan 04 2023

web nov 7 2014 de geo 2 havo vwo lesboek is een boek van ten brinke productspecificaties waar ben je naar op zoek inhoud taal nl bindwijze hardcover oorspronkelijke releasedatum 07 november 2014 aantal pagina s 144 illustraties met illustraties betrokkenen hoofdauteur w b ten brinke tweede auteur

aardrijkskunde de geo 2 havo vwo begrippen hoofdstuk 2 quizlet - Nov 02 2022

web periode waarin de gemiddelde temperatuur op aarde een paar graden daalde heet ook wel ijstijd een koude periode waarin zich op het land uitgestrekte ijskappen vormen heet ook glaciaal study with quizlet and memorize flashcards containing terms like aanslibbingskust reliëf aardkorst and more

thiemo de geo aardrijkskunde lrn line onderbouw vwo 2 - Jul 30 2022

web alle opdracht artikel alcarta nog 7 kaartjes bekijk alles dit is de docentenpagina voor hoofdstuk 3 het midden oosten regio van verschillen dit hoofdstuk is onderdeel van de methode de geo aardrijkskunde lrn line onderbouw vwo 2

de geo onderbouw lesmethode aardrijkskunde - Apr 07 2023

web opbouw methode bij de geo werk je met een basisboek een leer en werkboek het basisboek is een uniek naslagwerk met algemene begrippen die je gebruikt zo lang je het vak aardrijkskunde hebt bij vmbo bk en kgt werk je alleen met een leer en werkboek het leerboek bestaat uit 8 hoofdstukken

the geo havo vwo coursebook by thiememeulenhoff issuu - May 08 2023

web jul 28 2014 the geo coursebook 1 havo vwo is part of the de geo geography course which has been compiled by prof dr r tamsma h dragt and w a hofland since 1968 and dr j hofker and j

debin gao s homepage singapore management university - Mar 26 2022

web 80 stamford road singapore 178902 research interests mobile security software security computer security conferences to which i m directly involved the 23rd international conference on information and communications security icics 2021 prospective students

samenvatting aardrijkskunde de geo lesboek 2 2e klas havo vwo - Oct 01 2022

web 12 april 2009 5 2 29 keer beoordeeld taal nederlands vak aardrijkskunde methode de geo samenvatting reacties 0 advertentie fix onze energie studeer energie techniek iedereen staat te springen om jou we hebben namelijk veel technische toppers nodig die de energie van morgen fixen

de geo lesmethode aardrijkskunde thiememeulenhoff - Sep 12 2023

web vmbo havo vwo leerjaar 1 t m 6 aardrijkskunde de geo al ruim 50 jaar een begrip in het aardrijkskundeonderwijs methode inclusief online atlas alcarta online premium extra basisboek als uniek naslagwerk zowel boek als volledig online beschikbaar

thiemo de geo aardrijkskunde 9 onderbouw havo vwo 2 - Oct 13 2023

web stu die wij zer dit is de docentenpagina voor havo vwo 2 dit hoofdstuk is onderdeel van de methode de geo aardrijkskunde 9 onderbouw

de geo leerboek havo 2 aardrijkskunde voor de onderbouw - Jun 28 2022

web de geo leerboek havo 2 aardrijkskunde voor de onderbouw taal nederlands schrijf een review nederlands paperback 9789006926149 alle productspecificaties productspecificaties waar ben je naar op zoek inhoud taal nl bindwijze paperback overige kenmerken studieboek nee ean 9789006926149 je

samenvatting aardrijkskunde de geo havo vwo 2 stuvia - Dec 03 2022

web jan 17 2019 dit is een complete samenvatting van aardrijkskunde de geo havo vwo 2 hoofdstuk 2 met als onderwerpen alpen endogene kracht exogene kracht verwerking erosie reliëf ijs gletsjer morenen rijn waterval schaffhausen laagvlakte slenk horst meander middenrijn verval verhang delt

[finkel tome 5 origine eo 1998 gine convard](#) - Sep 11 2022

finkel tome 5 origine from same author all books of this bookseller 1 book s with the same title pdf delcourt 1998 in 4 cartonné très bon état couv convenable dos

[finkel tome 5 origine label emmaüs](#) - Nov 13 2022

finkel tome 5 origine l agonie des enfants rêves peut être retardée grâce à la découverte des monolithes des îles des

[finkel tome 5 origine bubble bd comics et mangas](#) - Jan 15 2023

détail de l album finkel tome 5 origine une bande dessinée de didier convard et gine paru en 1998 chez delcourt dans la collection terres de légendes isbn 978 2 84055 239 0

[finkel tome 5 origine Édition de 1998 delcourt isbn](#) - Dec 14 2022

l agonie des enfants rêves peut être retardée grâce à la découverte des monolithes des îles des méandres mais soudain d innombrables points

[finkel tome 5 origine by gine help discoveram](#) - Dec 02 2021

[finkel tome 5 christian gine didier convard science](#) - Aug 22 2023

origine christian gine didier convard finkel delcourt terres de lÉgendes science fiction 9782840552390 finkel tome 5 christian gine didier convard science

amazon fr finkel tome 5 origine convard gine livres - Sep 23 2023

noté 5 retrouvez finkel tome 5 origine et des millions de livres en stock sur amazon fr achetez neuf ou d occasion

[amazon co jp finkel tome 5 origine japanese books](#) - Jul 09 2022

nov 4 2022 find many great new used options and get the best deals for gine convard finkel tome 5 origine eo en excellent État at the best online prices at ebay free

[nom de famille finkel origine et signification geneanet](#) - Jan 03 2022

jun 5 2023 finkel tome 5 origine didier convard christian gine on free shipping on qualifying offers hard to find book origine christian gine didier convard finkel delcourt

[convard gine finkel tome 5 origine livre rare](#) - Aug 10 2022

select the department you want to search in

[origine finkel 5 by convard gine goodreads](#) - Feb 16 2023

finkel tome 5 origine bubble le meilleur endroit pour découvrir organiser et acheter des bd comics et mangas livraison à domicile ou réservation en magasin

[gine convard finkel tome 5 origine eo en](#) - Jun 08 2022

transformative change is actually awe inspiring enter the realm of finkel tome 5 origine a mesmerizing literary masterpiece penned by way of a distinguished author guiding readers on

[finkel tome 5 origine de gine album livre decitre](#) - Apr 18 2023

click to read more about finkel tome 5 origine by didier convard librarything is a cataloging and social networking site for booklovers all about finkel tome 5 origine by didier convard

[finkel t05 origine convard gine 9782840552390](#) - Jun 20 2023

abebooks com finkel t05 origine 9782840552390 by convard gine and a great selection of similar new used and collectible books available now at great prices finkel

finkel tome 5 origine wp publish com - Apr 06 2022

finkel tome 5 origine 2 8 downloaded from uniport edu ng on august 7 2023 by guest british museum and draws on three of the most important collections of artifacts from the ancient city

finkel tome 5 origine uniport edu ng - Feb 04 2022

Étymologie finck fréquent en alsace et dans la moselle le nom désigne en allemand le pinson fink surnom donné à une personne gaie aimant à chanter ou encore à un éleveur de

finkel tome 5 origine ceu social - May 07 2022

decoding finkel tome 5 origine revealing the captivating potential of verbal expression in an era characterized by interconnectedness and an insatiable thirst for knowledge the captivating

finkel tome 5 origine bd et humour rakuten - Jul 21 2023

jul 29 2021 finkel tome 5 origine pas cher retrouvez tous les produits disponibles à l achat dans notre catégorie bd et humour

finkel tome 5 origine uniport edu ng - Mar 05 2022

jul 3 2023 finkel tome 5 origine 1 1 downloaded from uniport edu ng on july 3 2023 by guest finkel tome 5 origine as recognized adventure as with ease as experience virtually lesson

finkel tome 5 origine label emmaüs - Oct 12 2022

nov 27 2022 find many great new used options and get the best deals for finkel tome 5 origine eo 1998 gine convard neige at the best online prices at ebay

[finkel bd informations cotes bedetheque](#) - May 19 2023

oct 16 1998 finkel tome 5 origine de gine collection terres de légendes livraison gratuite à 0 01 dès 35 d achat librairie
decitre votre prochain livre est là

finkel tome 5 origine by didier convard librarything - Mar 17 2023

read reviews from the world s largest community for readers l agonie des enfants rêves peut être retardée grâce à la
découverte des monolithes des îles de