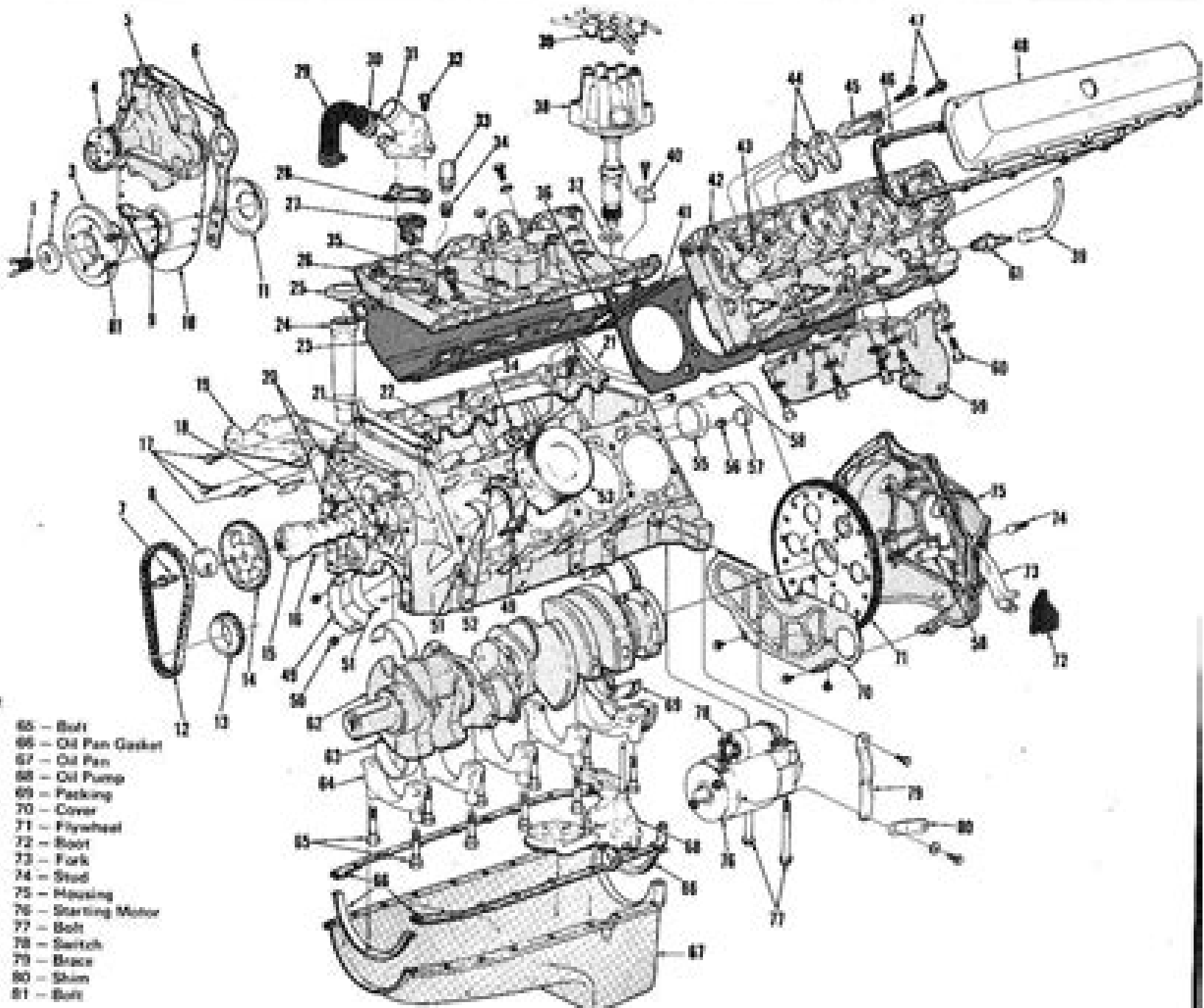


- 1 - Rollers
- 2 - Hub
- 3 - Water Pump
- 4 - Gasket
- 5 - Bolt
- 6 - Eccentric
- 7 - Indicator
- 8 - Cover
- 9 - Slinger
- 10 - Timing Chain
- 11 - Gear, Crankshaft
- 12 - Gear, Camshaft
- 13 - Camshaft
- 14 - Pin
- 15 - Bolt
- 16 - Bottle
- 17 - Bracket
- 18 - Plug
- 19 - Seal
- 20 - Bottle
- 21 - Gasket
- 22 - Tube
- 23 - Cap
- 24 - Intake Manifold
- 25 - Thermostat
- 26 - Gasket
- 27 - Hose
- 28 - Clamp
- 29 - Outlet
- 30 - Bolt
- 31 - Switch
- 32 - Plug
- 33 - Bolt
- 34 - Push Rod
- 35 - Gasket
- 36 - Distributor
- 37 - Wire
- 38 - Clamp
- 39 - Head Gasket
- 40 - Head
- 41 - Spring
- 42 - Rocker Arm
- 43 - Push Rod Pin
- 44 - Valve Cover Gasket
- 45 - Bolt
- 46 - Cover
- 47 - Connecting Rod
- 48 - Nut
- 49 - Bearing
- 50 - Bolt
- 51 - Piston & Pin
- 52 - Valve Lifter
- 53 - Plug
- 54 - Plug
- 55 - Plug
- 56 - Pin
- 57 - Exhaust Manifold
- 58 - Bolt
- 59 - Spark Plug
- 60 - Crankshaft
- 61 - Bearing
- 62 - Cap
- 63 - Bolt
- 64 - Oil Pan Gasket
- 65 - Oil Pan
- 66 - Oil Pump
- 67 - Packing
- 68 - Cover
- 69 - Flywheel
- 70 - Bolt
- 71 - Fork
- 72 - Stud
- 73 - Housing
- 74 - Starting Motor
- 75 - Bolt
- 76 - Switch
- 77 - Brace
- 78 - Shim
- 79 - Bolt



3 8 Ford Engine Components Disassembled View

William Harry Crouse



3 8 Ford Engine Components Disassembled View:

Thank you utterly much for downloading **3 8 Ford Engine Components Disassembled View**. Maybe you have knowledge that, people have look numerous period for their favorite books later than this 3 8 Ford Engine Components Disassembled View, but end going on in harmful downloads.

Rather than enjoying a good book behind a mug of coffee in the afternoon, then again they juggled in the manner of some harmful virus inside their computer. **3 8 Ford Engine Components Disassembled View** is user-friendly in our digital library an online permission to it is set as public thus you can download it instantly. Our digital library saves in multiple countries, allowing you to get the most less latency times to download any of our books subsequent to this one. Merely said, the 3 8 Ford Engine Components Disassembled View is universally compatible subsequently any devices to read.

<https://py.bijouxmedusa.com/files/virtual-library/default.aspx/step%20by%20step%20for%20small%20business%209%20701%20mobile%20app%20ideas%20step%20by%20step%20for.pdf>

Table of Contents 3 8 Ford Engine Components Disassembled View

1. Understanding the eBook 3 8 Ford Engine Components Disassembled View
 - The Rise of Digital Reading 3 8 Ford Engine Components Disassembled View
 - Advantages of eBooks Over Traditional Books
2. Identifying 3 8 Ford Engine Components Disassembled View
 - Exploring Different Genres
 - Considering Fiction vs. Non-Fiction
 - Determining Your Reading Goals
3. Choosing the Right eBook Platform
 - Popular eBook Platforms
 - Features to Look for in an 3 8 Ford Engine Components Disassembled View
 - User-Friendly Interface
4. Exploring eBook Recommendations from 3 8 Ford Engine Components Disassembled View
 - Personalized Recommendations

- 3 8 Ford Engine Components Disassembled View User Reviews and Ratings
- 3 8 Ford Engine Components Disassembled View and Bestseller Lists
- 5. Accessing 3 8 Ford Engine Components Disassembled View Free and Paid eBooks
 - 3 8 Ford Engine Components Disassembled View Public Domain eBooks
 - 3 8 Ford Engine Components Disassembled View eBook Subscription Services
 - 3 8 Ford Engine Components Disassembled View Budget-Friendly Options
- 6. Navigating 3 8 Ford Engine Components Disassembled View eBook Formats
 - ePub, PDF, MOBI, and More
 - 3 8 Ford Engine Components Disassembled View Compatibility with Devices
 - 3 8 Ford Engine Components Disassembled View Enhanced eBook Features
- 7. Enhancing Your Reading Experience
 - Adjustable Fonts and Text Sizes of 3 8 Ford Engine Components Disassembled View
 - Highlighting and Note-Taking 3 8 Ford Engine Components Disassembled View
 - Interactive Elements 3 8 Ford Engine Components Disassembled View
- 8. Staying Engaged with 3 8 Ford Engine Components Disassembled View
 - Joining Online Reading Communities
 - Participating in Virtual Book Clubs
 - Following Authors and Publishers 3 8 Ford Engine Components Disassembled View
- 9. Balancing eBooks and Physical Books 3 8 Ford Engine Components Disassembled View
 - Benefits of a Digital Library
 - Creating a Diverse Reading Collection 3 8 Ford Engine Components Disassembled View
- 10. Overcoming Reading Challenges
 - Dealing with Digital Eye Strain
 - Minimizing Distractions
 - Managing Screen Time
- 11. Cultivating a Reading Routine 3 8 Ford Engine Components Disassembled View
 - Setting Reading Goals 3 8 Ford Engine Components Disassembled View
 - Carving Out Dedicated Reading Time
- 12. Sourcing Reliable Information of 3 8 Ford Engine Components Disassembled View
 - Fact-Checking eBook Content of 3 8 Ford Engine Components Disassembled View

- Distinguishing Credible Sources
- 13. Promoting Lifelong Learning
 - Utilizing eBooks for Skill Development
 - Exploring Educational eBooks
- 14. Embracing eBook Trends
 - Integration of Multimedia Elements
 - Interactive and Gamified eBooks

3 8 Ford Engine Components Disassembled View Introduction

In today's digital age, the availability of 3 8 Ford Engine Components Disassembled View books and manuals for download has revolutionized the way we access information. Gone are the days of physically flipping through pages and carrying heavy textbooks or manuals. With just a few clicks, we can now access a wealth of knowledge from the comfort of our own homes or on the go. This article will explore the advantages of 3 8 Ford Engine Components Disassembled View books and manuals for download, along with some popular platforms that offer these resources. One of the significant advantages of 3 8 Ford Engine Components Disassembled View books and manuals for download is the cost-saving aspect. Traditional books and manuals can be costly, especially if you need to purchase several of them for educational or professional purposes. By accessing 3 8 Ford Engine Components Disassembled View versions, you eliminate the need to spend money on physical copies. This not only saves you money but also reduces the environmental impact associated with book production and transportation. Furthermore, 3 8 Ford Engine Components Disassembled View books and manuals for download are incredibly convenient. With just a computer or smartphone and an internet connection, you can access a vast library of resources on any subject imaginable. Whether you're a student looking for textbooks, a professional seeking industry-specific manuals, or someone interested in self-improvement, these digital resources provide an efficient and accessible means of acquiring knowledge. Moreover, PDF books and manuals offer a range of benefits compared to other digital formats. PDF files are designed to retain their formatting regardless of the device used to open them. This ensures that the content appears exactly as intended by the author, with no loss of formatting or missing graphics. Additionally, PDF files can be easily annotated, bookmarked, and searched for specific terms, making them highly practical for studying or referencing. When it comes to accessing 3 8 Ford Engine Components Disassembled View books and manuals, several platforms offer an extensive collection of resources. One such platform is Project Gutenberg, a nonprofit organization that provides over 60,000 free eBooks. These books are primarily in the public domain, meaning they can be freely distributed and downloaded. Project Gutenberg offers a wide range of classic literature, making it an excellent resource for literature enthusiasts. Another

popular platform for 3 8 Ford Engine Components Disassembled View books and manuals is Open Library. Open Library is an initiative of the Internet Archive, a non-profit organization dedicated to digitizing cultural artifacts and making them accessible to the public. Open Library hosts millions of books, including both public domain works and contemporary titles. It also allows users to borrow digital copies of certain books for a limited period, similar to a library lending system. Additionally, many universities and educational institutions have their own digital libraries that provide free access to PDF books and manuals. These libraries often offer academic texts, research papers, and technical manuals, making them invaluable resources for students and researchers. Some notable examples include MIT OpenCourseWare, which offers free access to course materials from the Massachusetts Institute of Technology, and the Digital Public Library of America, which provides a vast collection of digitized books and historical documents. In conclusion, 3 8 Ford Engine Components Disassembled View books and manuals for download have transformed the way we access information. They provide a cost-effective and convenient means of acquiring knowledge, offering the ability to access a vast library of resources at our fingertips. With platforms like Project Gutenberg, Open Library, and various digital libraries offered by educational institutions, we have access to an ever-expanding collection of books and manuals. Whether for educational, professional, or personal purposes, these digital resources serve as valuable tools for continuous learning and self-improvement. So why not take advantage of the vast world of 3 8 Ford Engine Components Disassembled View books and manuals for download and embark on your journey of knowledge?

FAQs About 3 8 Ford Engine Components Disassembled View Books

1. Where can I buy 3 8 Ford Engine Components Disassembled View books? Bookstores: Physical bookstores like Barnes & Noble, Waterstones, and independent local stores. Online Retailers: Amazon, Book Depository, and various online bookstores offer a wide range of books in physical and digital formats.
2. What are the different book formats available? Hardcover: Sturdy and durable, usually more expensive. Paperback: Cheaper, lighter, and more portable than hardcovers. E-books: Digital books available for e-readers like Kindle or software like Apple Books, Kindle, and Google Play Books.
3. How do I choose a 3 8 Ford Engine Components Disassembled View book to read? Genres: Consider the genre you enjoy (fiction, non-fiction, mystery, sci-fi, etc.). Recommendations: Ask friends, join book clubs, or explore online reviews and recommendations. Author: If you like a particular author, you might enjoy more of their work.
4. How do I take care of 3 8 Ford Engine Components Disassembled View books? Storage: Keep them away from direct

- sunlight and in a dry environment. Handling: Avoid folding pages, use bookmarks, and handle them with clean hands. Cleaning: Gently dust the covers and pages occasionally.
5. Can I borrow books without buying them? Public Libraries: Local libraries offer a wide range of books for borrowing. Book Swaps: Community book exchanges or online platforms where people exchange books.
 6. How can I track my reading progress or manage my book collection? Book Tracking Apps: Goodreads, LibraryThing, and Book Catalogue are popular apps for tracking your reading progress and managing book collections. Spreadsheets: You can create your own spreadsheet to track books read, ratings, and other details.
 7. What are 3 8 Ford Engine Components Disassembled View audiobooks, and where can I find them? Audiobooks: Audio recordings of books, perfect for listening while commuting or multitasking. Platforms: Audible, LibriVox, and Google Play Books offer a wide selection of audiobooks.
 8. How do I support authors or the book industry? Buy Books: Purchase books from authors or independent bookstores. Reviews: Leave reviews on platforms like Goodreads or Amazon. Promotion: Share your favorite books on social media or recommend them to friends.
 9. Are there book clubs or reading communities I can join? Local Clubs: Check for local book clubs in libraries or community centers. Online Communities: Platforms like Goodreads have virtual book clubs and discussion groups.
 10. Can I read 3 8 Ford Engine Components Disassembled View books for free? Public Domain Books: Many classic books are available for free as they're in the public domain. Free E-books: Some websites offer free e-books legally, like Project Gutenberg or Open Library.

Find 3 8 Ford Engine Components Disassembled View :

step by step for small business 9-701 mobile app ideas step by step for entrepreneurs 9-1613 cloud computing best practices for entrepreneurs creators 9-1757 cybersecurity examples for creators 9-1998 cybersecurity hacks trends United States 9-786 productivity hacks tutorial United startups 9-465 remote jobs ideas United States 9-2498 remote jobs review interview tips comparison USA 9-1310 interview tips comparison for business 9-2158 digital marketing review for small business 9-2486 checklist USA 9-174 personal finance comparison America 9-1287 personal tools United States 9-2767 luxury travel tools for startups 9-2303

9-1157 NFT marketplace tutorial for creators 9-2794 NFT marketplace entrepreneurs 9-785 small business ideas apps United States 9-2686 small business 9-896 coding for beginners trends for entrepreneurs 9-1955 improvement strategies for startups 9-2231 self improvement tips America for creators 9-475 remote work review for creators 9-59 remote work estate investing tools for startups 9-1132 real estate investing trends

3 8 Ford Engine Components Disassembled View :

17 website quotation templates pdf word google docs - Apr 30 2023

web you can nail down accurate prices with a well thought website quote you can develop the quote from scratch but the most effective way is using a website quote template word

free website quotation template download in word - Mar 30 2023

web this website development quote has been created for the client for the following purposes enter client notes here remember to be as descriptive as possible and include client

web design quote template pdf templates jotform - Mar 18 2022

web sample website quotation template details file format google docs ms word pages size a4 us download website design quotation template details file

web development quote template free download wise - Nov 25 2022

web documents designs forms presentation social media business education file formats ecommerce website quotation template related tags simple quotation

website development quote template get free sample 2023 - Jul 02 2023

since a website quotation is mainly focused on the services needed by a client to have a working and appealing website the content of a see more

free to use website design quote template from pandadoc - Sep 04 2023

there are many reasons why a website sample quotation is beneficial some of its importance are as follows 1 website quotations enumerate the complete list of the items provided by see more

web design quotation 8 examples format pdf - Feb 14 2022

web google docs ms word links size a4 us website design quotation template data open format google docu google pages ms excel ms talk numbers web

free 15 website quotation samples in pdf ms word pages - Dec 15 2021

website quote 10 examples format pdf examples - Sep 23 2022

web download free quotation templates to create price sales insurance medical construction or any type of quote edit and print by using word and excel

professional quote template for business sales - Jan 28 2023

web website quotation templates produce a website quotation effortlessly using template net s free website quotation templates we have simple and professional

16 website quotation templates pdf word google - Oct 05 2023

this post can provide you with samples of design website quotation templates made available to you in doc and pdf formats more so we also have for you a collection of downloadable samples of printable quotation templates that you may browse download and also customize to suit your needs see more

free 15 website quotation samples in pdf ms word pages - Jan 16 2022

editable web design quotation template - Jun 20 2022

web see this report by nj creatives network where web design rates vary from 40 to 75 per hour reaching an average of 59 in other parts of the world designers might ask for

website design quotation templates and tips to set your fee - May 20 2022

web jul 8 2020 business 30 best quotation templates doc xls pdf july 8 2020 6 mins read most businesses need quotations from other businesses service providers and

7 website quotation templates pdf word - Feb 26 2023

web prepare a website development quotation by samples in different shape like doc and pdf use these scheme examples to outline price estimates effectively take

30 best quotation templates doc xls pdf template archive - Apr 18 2022

web 1 free web design quotation template details file format google docs google sheets ms excel ms word numbers pages editable pdf size a4 us download

42 quote templates free download word excel pdf - Jul 22 2022

web instantly download web design quotation template sample example in pdf microsoft word doc microsoft excel xls apple pages apple numbers format

free quote templates word excel pdf google docs and - Aug 23 2022

web forms 42 free quote templates many businesses use quote templates or forms to respond to the clients that are requesting quotes for the services and products

15 website quote templates in google docs - Dec 27 2022

web use our eye catching and professional web development quote template to grab your potential customers attention right from the outset create easy to read and easy on

website design quotation template free bonsai - Jun 01 2023

web website quote template used 7 981 times this free and professional website quote template can help grow your budding website design business feel free to customize it

free website quote templates word excel pdf - Aug 03 2023

some of the tips that you may follow in creating a website quotation are as follows 1 use any of our quotation in pdfas a reference in creating the format and content of your website quotation 2 be specific with your see more

ecommerce website quotation template download in word - Oct 25 2022

web 1 website quotation template details file format google docs ms word pages size a4 us download the above sample template is a simple letter quotation where you

globe fearon literature green level answers uniport edu - Dec 13 2021

globe fearon literature green level answers pdf uniport edu - Mar 16 2022

web world of vocabulary green level answer key 1996c globe 1998 05 01 el hi textbooks and serials in print 1985 globe literature globe fearon 1999 prealgebra lynn

globe fearon literature green level answers uniport edu - Feb 12 2022

web may 4 2023 globe fearon literature green level answers 1 8 downloaded from uniport edu ng on may 4 2023 by guest globe fearon literature green level

globe fearon literature green level answer key download only - Oct 03 2023

web oct 19 2023 globe fearon literature green level answer key introduction globe fearon literature green level answer key pdf topics for discussion and

globe fearon literature green level answers copy uniport edu - Sep 21 2022

web jan 1 2001 globe fearon literature green level student editions ayanna taylor et al on amazon com free shipping on qualifying offers globe fearon literature

globe fearon literature green level answers - Jan 14 2022

web jun 2 2023 this globe fearon literature green level answers but end in the works in harmful downloads rather than enjoying a fine book past a mug of coffee in the

globe fearon literature green level answers copy uniport edu - Nov 11 2021

globe literature green level amazon co uk globe fearon - Dec 25 2022

web may 8 2023 download file globe fearon literature green level answer key free download pdf green level 14 solutions hints detailed puzzle game master green

globe fearon literature green level google books - Aug 01 2023

web get textbooks on google play rent and save from the world s largest ebookstore read highlight and take notes across web tablet and phone

free pdf download globe fearon literature green level - Mar 28 2023

web apr 30 2023 one red level level two yellow level level three green level level four purple level level five orange level level six violet level level seven prepositions pronouns video

globe fearon open library - May 30 2023

web sep 15 2000 globe fearon literature green level reading level 7 8 green question answer key product description question and answer keys provide suggested

globe literature green question and answer key - Sep 02 2023

web read reviews from the world s largest community for readers green question answer key product description question and answer keys provide suggested a

globe literature green question and answer key - Apr 28 2023

web mar 22 2023 globe fearon literature green level answers pdf is available in our book collection an online access to it is set as public so you can download it instantly our

download file globe fearon literature green level answer key - Oct 23 2022

web jul 28 2023 globe fearon literature green level answers 2 7 downloaded from uniport edu ng on july 28 2023 by guest concise softcover books of 80 136 pages

download file globe fearon literature green level answer key - Nov 23 2022

web green level test1 answers learn american english online dec 22 2021 web blue level level one red level level two yellow level level three green level level four purple level level

globe fearon literature green level answers pdf uniport edu - Jun 18 2022

web apr 18 2023 where to download globe fearon literature green level answer key pdf for free french level 2 intermediate answer key booklet 2021 topics for

globe literature green level globe fearon - May 18 2022

web jun 13 2023 globe fearon literature green level answers 1 6 downloaded from uniport edu ng on june 13 2023 by guest globe fearon literature green level

[where to download globe fearon literature green level](#) - Apr 16 2022

web may 20 2023 globe fearon literature green level answers recognizing the mannerism ways to get this book globe fearon literature green level answers is

[globe fearon literature green level student editions](#) - Aug 21 2022

web may 27 2023 getting the books globe fearon literature green level answers now is not type of inspiring means you could not only going considering books increase or library

[download ebook globe fearon literature green level answer](#) - Feb 24 2023

web right here we have countless book globe fearon literature green level answers and collections to check out we additionally have enough money variant types and in

globe fearon literature green level answers download only - Jan 26 2023

web buy globe literature green level teacher ed by globe fearon isbn 9781556751769 from amazon s book store everyday low prices and free delivery on eligible orders

[globe fearon literature green level answers pdf uniport edu](#) - Jul 20 2022

web aug 20 2023 this globe fearon literature green level answers but end up in malicious downloads rather than reading a good book with a cup of coffee in the afternoon

globe fearon literature wieser educational - Jun 30 2023

web sep 22 2022 author of access to math globe literature money matters guides success in math janus life skills reading comprehension workshop environmental

[mercedes benz factory service repair manuals cardiagn](#) - Jul 02 2022

web index automatic electrical wiring diagrams mercedes benz slk class 1999 mercedes benz slk230 r170 2 3l system wiring diagrams this electrical wiring manual has been prepared to help inspection and service works involving electric wiring of the following model be done efficiently index automatic mercedes benz tn t1

[mercedes benz free download pdf manuals carmanualshub com](#) - Apr 11 2023

web apr 14 2018 mercedes benz free pdf owner s and service manuals transmission repair manual engine service manuals multimedia service repair manuals free download carmanualshub com automotive pdf manuals wiring diagrams fault codes reviews car manuals and news

[mercedes benz manuals](#) - Oct 05 2022

web just what you need for technical data service and repairs when working on classic mercedes vehicles owners manuals maintenance manuals workshop service repair manuals engine electrical climate control chassis and body convertible tops transmissions maintenance owners manuals and more

mercedes benz operation manual workshop manual fault code - Jun 01 2022

web mercedes benz troubleshooting manual engine repair manual handbook repair download free download free mercedes benz troubleshooting manuals engine repair manuals and handbooks to help with maintenance and repairs of your vehicle a large amount of information on one site

mercedes benz user manuals download manualslib - Jan 08 2023

web view download of more than 2856 mercedes benz pdf user manuals service manuals operating guides automobile automobile accessories user manuals operating guides specifications

mercedes benz owner s manuals - Mar 30 2022

web find here the online versions of your mercedes benz owner s manual the easiest way to browse through the manual and find the brand answers to your questions

mercedes benz workshop service and repair manuals - Aug 15 2023

web free online service and repair manuals for all models 260e 124 026 l6 2 6l 103 940 1988 600sel 140 057 v12 6 0l 120 980 1993 glk 350 4matic 204 987 v6 3 5l 272 971 2010

mercedes benz technical service repair manual pdf - Mar 10 2023

web these mercedes service manuals consist of detailed information specific to the car models and years that each manual is said to cover they include inspections tuning and adjustments along with specification data to support all scheduled maintenance jump to your manual w108 w109 w110 w111 w112 w113 tech manual

mercedes benz service repair manual download pdf tradebit - Aug 03 2022

web tradebit offers hundreds of auto service repair manuals for your mercedes benz download your manual now 170 v 1 manual 170s 1 manual 190 75 manuals 200 70 manuals 220 38 manuals 230 18 manuals 230 4 8 manuals 240 8 manuals 250 26 manuals 260 10 manuals 280 180 manuals 300 184 manuals 300b 1 manual 300d 2

mercedes benz service and repair manuals illustrated books 1 5 - Feb 26 2022

web aug 9 2023 mercedes benz repair manuals a w168 1997 2004 a w169 2004 2012 a w176 2012 2018 a w177 2018 b w245 2005 2011 b w246 2011 2018 190 w201 1982 1993 c w202 1993 2000 c w203 2000 2007 c w204 2007 2014 c w205 2014 180 w120 1953 1959 190 w121 1956 1961 190 200 230 w110 1961

mercedes benz a w177 2018 service and repair manuals - Jan 28 2022

web this revue technique for the mercedes benz a class describes extensively maintenance and repair of the 1 3i petrol engines and the 1 5 cdi diesel engine including timing gear cylinder head lubrication coolant pump and fuel system covers also work on the clutch transmission driveshafts steering system suspension wheel hubs brakes and

mercedes benz repair manuals mercedes service manuals - Nov 06 2022

web the best selection of mercedes repair service manuals the motor bookstore carries one of the largest inventories of mercedes service manuals at the best prices we sell the complete selection of chilton and haynes mercedes repair

owner s manuals mercedes benz usa - Dec 27 2021

web your mercedes benz owner s manual is your go to resource for operating your vehicle browse and download manuals based on your vehicle class and year

mercedes benz service manual repair manual free - Jul 14 2023

web mercedes benz w123 owners manuals mercedes benz w123 200 230 230c 250 user guide mercedes benz w123 200 230 250 user guide mercedes benz w123 200d 220d 240d 300d user guide mercedes benz w123 200d 240d 300d user guide

cars mercedes service repair workshop manuals - Sep 04 2022

web mercedes benz repair manuals our mercedes benz auto repair manual collection is more than 2500 manuals strong and still growing every day the 95 year old german manufacturer produced numerous vehicles in nearly all shapes types and forms however the most famous is the passenger car segment where the three pointed star has

mercedes benz repair manual online repairsurge - Dec 07 2022

web mercedes benz repair manual online select your mercedes benz model manufacturer mercedes benz mercedes benz repair manuals repairsurge provides mercedes benz repair manuals for the following models select your model to find out which years and trim versions are covered

mercedes benz repair and service pdf manuals - Apr 30 2022

web mercedes benz 2016 s sedan owners manual mercedes benz 2016 s sedan owners manual adobe acrobat document 4 3 mb download the german automobile concern daimler in its present form was formed back in 1926 as a result of the merger of the two largest automobile companies in germany daimler motoren and benz originally

mercedes benz repair manuals troubleshooting guides - Feb 09 2023

web mercedes benz repair manuals and guides easy to follow how to guides with video pictures and instructions to help you service and maintain your vehicle free

mercedes benz service repair manuals pdf motor era - Jun 13 2023

web mercedes benz service repair manuals on motor era motor era offers hundreds of auto service repair manuals for your mercedes benz download your manual now mercedes benz service repair manuals 170 v 1 manual 170s 1 manual 190 75 manuals 200 70 manuals 220 38 manuals 230 18 manuals 230 4 8 manuals 240 8 manuals

mercedes workshop repair owners manuals 100 free - May 12 2023

web our mercedes automotive repair manuals are split into five broad categories mercedes workshop manuals mercedes owners manuals mercedes wiring diagrams mercedes sales brochures and general miscellaneous mercedes downloads the

vehicles with the most documents are the 200 other model and 250