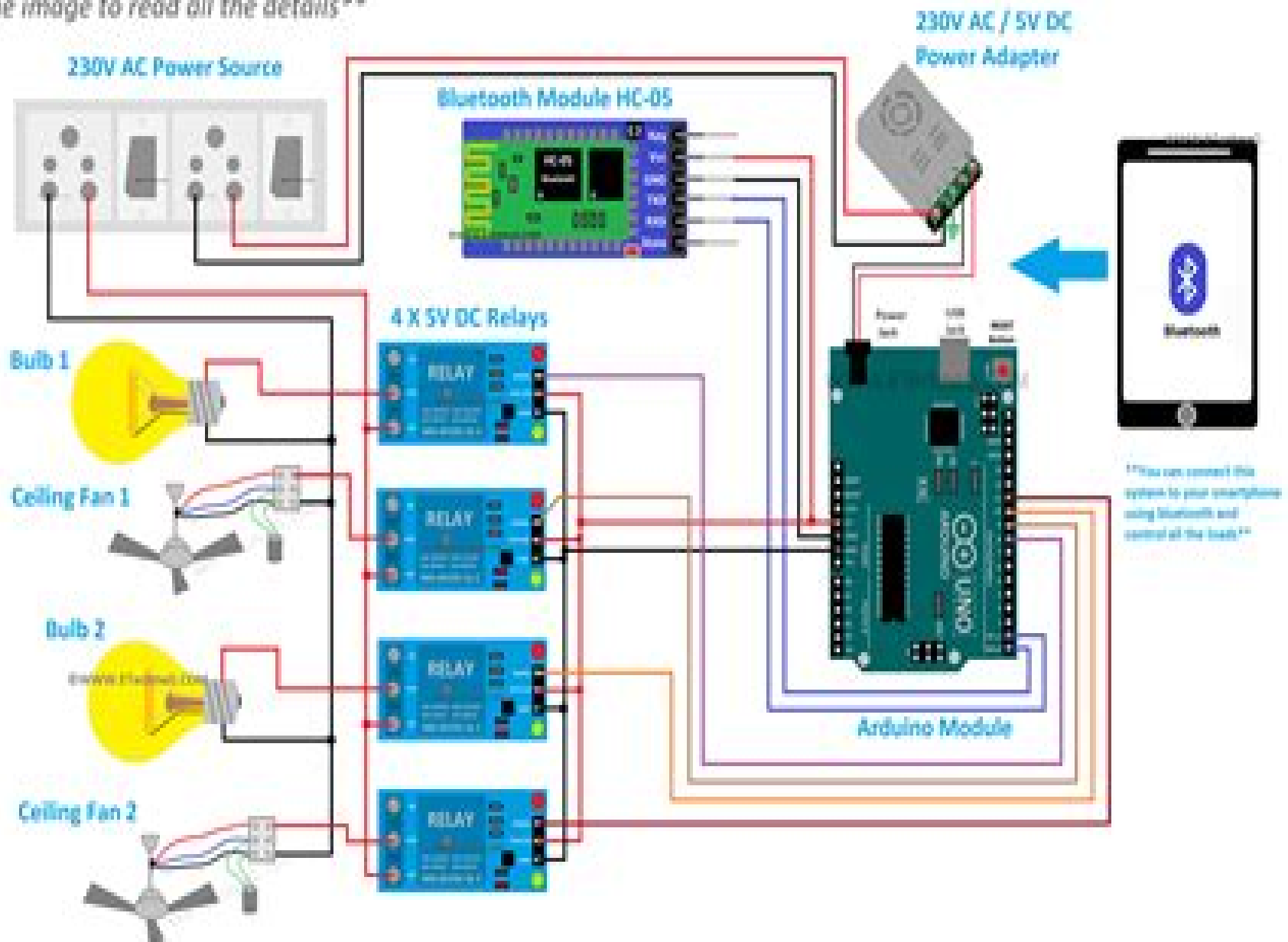


Figure.01:

Smart Home Automation System using Arduino

Zoom in the image to read all the details



Bluetooth Based Home Automation And Security System Using Arm9

R Pring



Bluetooth Based Home Automation And Security System Using Arm9:

When people should go to the books stores, search start by shop, shelf by shelf, it is really problematic. This is why we give the books compilations in this website. It will very ease you to see guide **Bluetooth Based Home Automation And Security System Using Arm9** as you such as.

By searching the title, publisher, or authors of guide you in point of fact want, you can discover them rapidly. In the house, workplace, or perhaps in your method can be all best area within net connections. If you mean to download and install the Bluetooth Based Home Automation And Security System Using Arm9, it is categorically simple then, back currently we extend the join to purchase and make bargains to download and install Bluetooth Based Home Automation And Security System Using Arm9 so simple!

<https://py.bijouxmedusa.com/results/scholarship/Documents/analysis%20of%20brahms%20intermezzo%20in%20bb%20minor%20op%20117%20no%20.pdf>

Table of Contents Bluetooth Based Home Automation And Security System Using Arm9

1. Understanding the eBook Bluetooth Based Home Automation And Security System Using Arm9
 - The Rise of Digital Reading Bluetooth Based Home Automation And Security System Using Arm9
 - Advantages of eBooks Over Traditional Books
2. Identifying Bluetooth Based Home Automation And Security System Using Arm9
 - Exploring Different Genres
 - Considering Fiction vs. Non-Fiction
 - Determining Your Reading Goals
3. Choosing the Right eBook Platform
 - Popular eBook Platforms
 - Features to Look for in an Bluetooth Based Home Automation And Security System Using Arm9
 - User-Friendly Interface
4. Exploring eBook Recommendations from Bluetooth Based Home Automation And Security System Using Arm9
 - Personalized Recommendations

- Bluetooth Based Home Automation And Security System Using Arm9 User Reviews and Ratings
- Bluetooth Based Home Automation And Security System Using Arm9 and Bestseller Lists
- 5. Accessing Bluetooth Based Home Automation And Security System Using Arm9 Free and Paid eBooks
 - Bluetooth Based Home Automation And Security System Using Arm9 Public Domain eBooks
 - Bluetooth Based Home Automation And Security System Using Arm9 eBook Subscription Services
 - Bluetooth Based Home Automation And Security System Using Arm9 Budget-Friendly Options
- 6. Navigating Bluetooth Based Home Automation And Security System Using Arm9 eBook Formats
 - ePub, PDF, MOBI, and More
 - Bluetooth Based Home Automation And Security System Using Arm9 Compatibility with Devices
 - Bluetooth Based Home Automation And Security System Using Arm9 Enhanced eBook Features
- 7. Enhancing Your Reading Experience
 - Adjustable Fonts and Text Sizes of Bluetooth Based Home Automation And Security System Using Arm9
 - Highlighting and Note-Taking Bluetooth Based Home Automation And Security System Using Arm9
 - Interactive Elements Bluetooth Based Home Automation And Security System Using Arm9
- 8. Staying Engaged with Bluetooth Based Home Automation And Security System Using Arm9
 - Joining Online Reading Communities
 - Participating in Virtual Book Clubs
 - Following Authors and Publishers Bluetooth Based Home Automation And Security System Using Arm9
- 9. Balancing eBooks and Physical Books Bluetooth Based Home Automation And Security System Using Arm9
 - Benefits of a Digital Library
 - Creating a Diverse Reading Collection Bluetooth Based Home Automation And Security System Using Arm9
- 10. Overcoming Reading Challenges
 - Dealing with Digital Eye Strain
 - Minimizing Distractions
 - Managing Screen Time
- 11. Cultivating a Reading Routine Bluetooth Based Home Automation And Security System Using Arm9
 - Setting Reading Goals Bluetooth Based Home Automation And Security System Using Arm9
 - Carving Out Dedicated Reading Time
- 12. Sourcing Reliable Information of Bluetooth Based Home Automation And Security System Using Arm9
 - Fact-Checking eBook Content of Bluetooth Based Home Automation And Security System Using Arm9

- Distinguishing Credible Sources
- 13. Promoting Lifelong Learning
 - Utilizing eBooks for Skill Development
 - Exploring Educational eBooks
- 14. Embracing eBook Trends
 - Integration of Multimedia Elements
 - Interactive and Gamified eBooks

Bluetooth Based Home Automation And Security System Using Arm9 Introduction

Free PDF Books and Manuals for Download: Unlocking Knowledge at Your Fingertips In today's fast-paced digital age, obtaining valuable knowledge has become easier than ever. Thanks to the internet, a vast array of books and manuals are now available for free download in PDF format. Whether you are a student, professional, or simply an avid reader, this treasure trove of downloadable resources offers a wealth of information, conveniently accessible anytime, anywhere. The advent of online libraries and platforms dedicated to sharing knowledge has revolutionized the way we consume information. No longer confined to physical libraries or bookstores, readers can now access an extensive collection of digital books and manuals with just a few clicks. These resources, available in PDF, Microsoft Word, and PowerPoint formats, cater to a wide range of interests, including literature, technology, science, history, and much more. One notable platform where you can explore and download free Bluetooth Based Home Automation And Security System Using Arm9 PDF books and manuals is the internet's largest free library. Hosted online, this catalog compiles a vast assortment of documents, making it a veritable goldmine of knowledge. With its easy-to-use website interface and customizable PDF generator, this platform offers a user-friendly experience, allowing individuals to effortlessly navigate and access the information they seek. The availability of free PDF books and manuals on this platform demonstrates its commitment to democratizing education and empowering individuals with the tools needed to succeed in their chosen fields. It allows anyone, regardless of their background or financial limitations, to expand their horizons and gain insights from experts in various disciplines. One of the most significant advantages of downloading PDF books and manuals lies in their portability. Unlike physical copies, digital books can be stored and carried on a single device, such as a tablet or smartphone, saving valuable space and weight. This convenience makes it possible for readers to have their entire library at their fingertips, whether they are commuting, traveling, or simply enjoying a lazy afternoon at home. Additionally, digital files are easily searchable, enabling readers to locate specific information within seconds. With a few keystrokes, users can search for keywords, topics, or phrases, making research and finding relevant information a breeze. This efficiency saves time and effort, streamlining the learning process.

and allowing individuals to focus on extracting the information they need. Furthermore, the availability of free PDF books and manuals fosters a culture of continuous learning. By removing financial barriers, more people can access educational resources and pursue lifelong learning, contributing to personal growth and professional development. This democratization of knowledge promotes intellectual curiosity and empowers individuals to become lifelong learners, promoting progress and innovation in various fields. It is worth noting that while accessing free Bluetooth Based Home Automation And Security System Using Arm9 PDF books and manuals is convenient and cost-effective, it is vital to respect copyright laws and intellectual property rights. Platforms offering free downloads often operate within legal boundaries, ensuring that the materials they provide are either in the public domain or authorized for distribution. By adhering to copyright laws, users can enjoy the benefits of free access to knowledge while supporting the authors and publishers who make these resources available. In conclusion, the availability of Bluetooth Based Home Automation And Security System Using Arm9 free PDF books and manuals for download has revolutionized the way we access and consume knowledge. With just a few clicks, individuals can explore a vast collection of resources across different disciplines, all free of charge. This accessibility empowers individuals to become lifelong learners, contributing to personal growth, professional development, and the advancement of society as a whole. So why not unlock a world of knowledge today? Start exploring the vast sea of free PDF books and manuals waiting to be discovered right at your fingertips.

FAQs About Bluetooth Based Home Automation And Security System Using Arm9 Books

How do I know which eBook platform is the best for me? Finding the best eBook platform depends on your reading preferences and device compatibility. Research different platforms, read user reviews, and explore their features before making a choice. Are free eBooks of good quality? Yes, many reputable platforms offer high-quality free eBooks, including classics and public domain works. However, make sure to verify the source to ensure the eBook credibility. Can I read eBooks without an eReader? Absolutely! Most eBook platforms offer web-based readers or mobile apps that allow you to read eBooks on your computer, tablet, or smartphone. How do I avoid digital eye strain while reading eBooks? To prevent digital eye strain, take regular breaks, adjust the font size and background color, and ensure proper lighting while reading eBooks. What the advantage of interactive eBooks? Interactive eBooks incorporate multimedia elements, quizzes, and activities, enhancing the reader engagement and providing a more immersive learning experience. Bluetooth Based Home Automation And Security System Using Arm9 is one of the best book in our library for free trial. We provide copy of Bluetooth Based Home Automation And Security System Using Arm9 in digital format, so the resources that you find are reliable. There are also many Ebooks of related with Bluetooth Based Home Automation And Security System Using Arm9. Where to download

Bluetooth Based Home Automation And Security System Using Arm9 online for free? Are you looking for Bluetooth Based Home Automation And Security System Using Arm9 PDF? This is definitely going to save you time and cash in something you should think about.

Find Bluetooth Based Home Automation And Security System Using Arm9 :

analysis of brahms intermezzo in bb minor op 117 no 2

~~animal farm study guide ms goldens class~~

angelina an unauthorized biography andrew morton

answers to wards investigating digestive processes

answers to records management 9th edition

antioxidant potential of pomegranate punica granatum l

~~an isolated gate drive for power mosfets and igbts~~

ancient coin collecting ii numismatic art of the greek world no ii

annex 21 resolution mepc 295 71 adopted on 7 july 2017

~~anatomy and physiology exam 1 with answers~~

antropologi

answer keys to globe earth science

answers acca acca global

~~anterior and posterior lateral hip precautions buffalo ny~~

ansi api rp 754 process safety performance indicators

Bluetooth Based Home Automation And Security System Using Arm9 :

john deere 265 lawn and garden tractor pdf service shop repair manual - Apr 05 2022

web this john deere 265 lawn and garden tractor pdf service shop repair manual download will guide you through fundamentals of maintaining and repairing step by step to teach you what the factory trained technicians already know by heart

deere 265 need manual and help my tractor forum - Jun 07 2022

web may 20 2017 deere 265 need manual and help i just got a deere 265 it has a few issues i want to address as well as needing an owners manual simply stated i haven t used a riding mower since i was a kid issue 1 the pedal on the right

appears to be a brake rather than a clutch pressing the pedal doesn't actually stop the mower

technical manual john deere manual - Oct 23 2023

web technical manual john deere worldwide commercial and consumer equipment division tm1426 01sep96 replaces tm1426 01sep92 litho in u s a this technical manual is written for an experienced technician and contains sections that are specifically for this product it is a part of a total product support program

john deere 265 lawn and garden tractor service shop pdf repair manual - Jan 14 2023

web john deere 265 lawn and garden tractor service shop pdf repair manual download john deere 265 lawn and garden tractor service shop pdf repair manual download regular price 18 85 usd regular price sale price 18 85 usd unit price per sale sold out shipping calculated at

john deere 240 245 260 265 285 320 lawn garden tractors service manual - Mar 16 2023

web jan 11 2019 this service manual includes repair and maintenance information detailed description of service and troubleshoot procedures installation instructions special instructions other additional information for john deere 240 245 260 265 285 320 lawn and garden tractors

john deere 265 tractor specs net - Sep 10 2022

web the john deere 265 is equipped with sundstrand bdu 21 belt driven hydrostatic transmission infinite forward and reverse gears manual steering expanding mechanical shoe brakes this tractor used open operator station

john deere 240 260 265 and 285 lawn and garden tractor manual - Jul 08 2022

web 29 99 sale price 19 99 save 33 add to cart table of contents safety controls operating the engine driving the tractor operating the mower transporting fuels and lubricants troubleshooting service storage attachments crime prevention tips assembly specifications manual details pages 100

john deere 265 lawn and garden tractor pdf service shop repair manual - Nov 12 2022

web you are buying a pdf service shop manual for a john deere 265 lawn and garden tractor this is a high quality download that will not expire and will be yours forever if you would like the manual on a dvd 7 99 or printed and mailed in a binder 99 99 please select the appropriate option during checkout

john deere 265 manual pdf by pdfs manuals issuu - Mar 04 2022

web aug 4 2021 john deere 240 245 260 265 285 320 lawn and garden tractors service manual tm1426 complete service manual available for instant download to your computer tablet or smart phone

manuals and training parts service john deere australia - Oct 11 2022

web ag turf engine manuals publications discover how to find view and purchase technical and service manuals and parts catalogues for your equipment please contact your local john deere dealer for assistance in ordering a technical operators

manual or parts catalogue purchase manuals and publications online find a parts catalogue

john deere 265 lawn and garden tractor service repair manual - May 18 2023

web feb 4 2019 read john deere 265 lawn and garden tractor service repair manual by 163114103 on issuu and browse thousands of other publications on our platform

john deere 240 245 260 265 285 and 320 lawn and garden - Feb 15 2023

web this is the complete service manual for the john deere 240 245 260 265 285 and 320 lawn mower lawn and garden tractor this is the same manual that the dealer repair shops use it contains hundreds of pictures and diagrams

john deere technical information store technical information - Apr 17 2023

web official john deere site to buy or download ag turf operator s manuals parts catalogs and technical manuals to service equipment the site also offers free downloads of operator s manuals and installation instructions and to purchase educational curriculum

john deere service manual download john deere tractors - Aug 21 2023

web john deere 265 lawn and garden tractor service manual 21 0 mb in zip format for super fast downloads this factory john deere service manual download will give you complete step by step information on repair servicing and

john deere 265 lawn and garden tractor service manual - Sep 22 2023

web mar 7 2013 john deere 265 lawn and garden tractor technical manual tm1426 562 pages in pdf format 21 0 mb in zip format for super fast downloads this factory john deere service manual download will give you complete step by step information on repair servicing and preventative maintenance for your john deere

tractordata com john deere 265 tractor information - Jul 20 2023

web nov 3 2022 overview engine transmission dimensions photos attachments 1988 1994 late 200 series garden tractor series map gt275 1995 1998 260 265 285 17 0hp 17 0hp 18 0hp john deere 265 transmission hydrostatic transmission details mechanical two wheel drive manual steering expanding mechanical shoe brakes open operator station

john deere 240 245 260 265 285 320 lawn and service repair manual - Dec 13 2022

web download complete service repair manual for john deere 240 245 260 265 285 320 lawn and garden tractor it covers every single detail on your john deere 240 245 260 265 285 320 lawn and garden tractor this manual very useful in the treatment and repair this manual came with fully index

tm1795 john deere 265 275 285 rotary disk mowers - Aug 09 2022

web illustrated factory diagnostic and repair all inclusive technical service manual for john deere rotary disk mowers models 265 275 285 this manual contains high quality images circuit diagrams instructions to help you to maintenance troubleshooting diagnostic and repair your truck

john deere 265 pdf lawn and garden tractor service shop manual - May 06 2022

web a high quality pdf service manual for a john deere 265 the repair manual download will show you every nut and bolt on your vehicle and will direct you on every mechanical procedure imaginable

manuals and training parts service john deere us - Jun 19 2023

web ag turf engine operator manuals publications download view and purchase operator and technical manuals and parts catalogs for your john deere equipment

church contribution thank you letters all you need to get started - Jun 25 2022

web letter to other church to congratulate on anniversary dear pastor greetings in the name of our lord and savior jesus christ it gives me great joy to send this letter to

church donation letter 4 examples format sample - Oct 30 2022

web letter for celebration of church anniversary warm greetings we are so thrilled to be celebrating the th anniversary of our church and are excited you have chosen to join

how to write the perfect church donation letter - Jun 06 2023

web church donation letters are usually of two kinds 1 a letter from the church requesting for donation 2 a letter from the church thanking the donors for donations these letters

church fundraising letters comprehensive guide - Mar 03 2023

web here is a sample donation letter for church building anniversary event youth group fundraiser and so on we have prepared the letter for you to download you only

how to write effective church donation letters free - Sep 09 2023

web sep 22 2023 9 free donation letter templates for church fundraising campaigns donation letters for church fundraising 9 free templates by whit hunter on

donation request letter for church sample letters - Aug 08 2023

web august 21 2020 author tithe ly gratitude is a biblical virtue god calls us to be thankful to those who help us and the people who donate to our church certainly deserve our

free donation request letters for church guide - May 05 2023

web donation request letter sample is available to download modify and print for your church or organization to raise money for a cause menu home special offer

donation letter for church - Jul 27 2022

web after the basic details of the event have been established a church anniversary invitation letter should be written this sample church anniversary invitation letter is a great

donation request letter sample free church forms - Sep 28 2022

web these church anniversary letters are a great way for catholic to get the word away about those special times or landmark moments in the lived of a temple as they celebrate

church anniversary congratulations letter church pastor guide for - Jan 21 2022

letter to other church to congratulate on anniversary - Nov 18 2021

letter for celebration of church anniversary church letters - Mar 23 2022

church anniversary announcement letter templates - Nov 30 2022

web whether it s an invitation to a 100 year anniversary service or an invitation to a 25 year anniversary service or even a letter of invitation to give in a special anniversary

sample church anniversary invitation letter template - Dec 20 2021

the perfect donation letter template for 5 situations - Apr 04 2023

web church donation letters welcome to one of the most popular categories on our site church donation letters can be easily modified to fit within the context of your

church year end giving letter template aplos academy - Feb 02 2023

web 5 sample thank you letters for donations to your church to save your team time and mental energy create a church donation thank you letter template here are 5

church donation letters 8 templates best practices - Oct 10 2023

web church donation letters are an easy and helpful way to ensure your church secures sufficient donations to accomplish its goals to make sure you write compelling letters

church anniversary letters announcement letters churchletters - Apr 23 2022

church donation letters church stewardship letters - Aug 28 2022

web looking for church anniversary congratulations letter sample and help you send a letter to a church churchpastorguide org download occasional church themes letters and

donation letters for church fundraising 9 free templates - Jul 07 2023

web feb 15 2022 letters can help you bring in 25 of your church s annual contributions during the end of year holiday

season but when churches don't explicitly ask for

church anniversary letters announcement letters - Feb 19 2022

8 types of donation request letters with donation - Jan 01 2023

web church donation letter sample tips points to remember you should remember the letter should be for the believers of the church the letter should highlight the reason why

church donation letter sample free sample letters - May 25 2022

el otro 11 de septiembre así se vivió el golpe de estado en chile - Oct 02 2023

web sep 5 2023 el otro 11 de septiembre así se vivió el golpe de estado en chile un levantamiento militar encabezado por augusto pinochet puso fin al gobierno socialista de salvador

la batalla de chile recordando el otro 11 de septiembre - Feb 23 2023

web sep 9 2023 el reestreno coincide con el 50 aniversario del otro 11 de septiembre el día del golpe militar liderado por augusto pinochet una tragedia que ha seguido siendo la

chile el otro 11 de septiembre ocean sur - Dec 24 2022

web isbn 978 1 920888 81 7 compártelo sobre el libro una antología de ensayos sobre el 11 de septiembre de 1973 fecha del golpe de estado que derribó el gobierno democrático de salvador allende en chile

50 años del golpe de estado en chile actos homenajes el país - Jan 25 2023

web sep 9 2023 este lunes 11 de septiembre chile conmemora los 50 años del golpe de estado que puso fin al gobierno del presidente socialista salvador allende 1970 1973 y dio inicio a la

café del sur chile el otro 11 de septiembre 10 09 23 - Apr 15 2022

web estrenamos la nueva temporada con un programa especial dedicado a chile en ocasión de las conmemoraciones del 50 aniversario del golpe de estado que acabó con la democracia y puso fin a un original experimento de transformación

revolucionaria por la vía legal escuchar audio

allende 4 razones que explican por qué el golpe del 11 de septiembre - Aug 20 2022

web sep 11 2023 bbc news mundo 11 septiembre 2023 ocurrió en chile para mal de los chilenos pero ha de pasar a la historia como algo que nos sucedió sin remedio a todos los hombres de este

chile el otro 11 de septiembre una antología acerca del golpe de - Jun 17 2022

web sep 1 2006 chile el otro 11 de septiembre una antología acerca del golpe de estado en 1973 ocean sur spanish edition aguilara pilar dorfman ariel neruda pablo allende salvador on amazon com free shipping on qualifying offers

50 años del golpe de estado en chile el otro 11 de septiembre - Apr 27 2023

web el 11 de septiembre de 1973 los militares chilenos derrocaron al gobierno de izquierdas elegido siguieron torturas y asesinatos 50 años del golpe de estado en chile el otro 11 de septiembre

café del sur chile el otro 11 de septiembre 10 09 23 rtve es - Jul 31 2023

web sep 10 2023 estrenamos la nueva temporada con un programa especial dedicado a chile en ocasión de las conmemoraciones del 50 aniversario del golpe de estado que acabó con la democracia y puso

el otro 11 de septiembre videos gratis en youtube para entender - Nov 22 2022

web sep 11 2023 este valioso material histórico tomado del archivo de la bbc refleja la realidad chilena en los inicios de la dictadura militar que luego se extendería 17 años dejando más de 40 000 víctimas entre ellas 3 000 muertos y desaparecidos

el otro 11 de septiembre la tragedia chilena parte 2 - Feb 11 2022

web sep 11 2023 haga clic aquí y lea la parte 1 del artículo el otro 11 de septiembre la tragedia chilena comienza la polarización extrema entre clases fundamentales

11 de septiembre chile conmemora 50 años del golpe de estado - Jul 19 2022

web sep 11 2023 chile conmemora el 50 aniversario de un golpe de estado que aún lo divide medio siglo después de que los militares encabezados por augusto pinochet terminaran con la llamada vía

eeuu chile y cuba otros 11 de septiembre prensa latina - Mar 15 2022

web sep 11 2023 EEUU Chile y Cuba otros 11 de septiembre Washington 11 Sep Prensa Latina El presidente de Estados Unidos Joe Biden convocó a una jornada de oración y rememoración hoy 22 años después

el otro 11 la tercera - Sep 01 2023

web sep 11 2018 tiempo de lectura 32 minutos según el último censo actualmente en Chile hay más personas que vivieron el 11 de septiembre del 2001 que el 11 de septiembre de 1973 son hechos incomparables que tuvieron y tienen alcances

incomparables pero ambas fechas son importantes en la historia reciente

chile 1973 el otro 11 de septiembre democracy now - May 29 2023

web sep 15 2023 Chile 11 s aniversario 11 s Henry Kissinger estas noticias son patrocinadas por nuestra audiencia donar Amy Goodman y Denis Moynihan el 11 de septiembre de 2001 el terrorismo

chile 1973 el otro 11 de septiembre cambio político - Oct 22 2022

web sep 15 2023 en el programa de aquella mañana justo cuando los aviones se estrellaban contra las dos torres estábamos hablando de los vínculos entre el terrorismo y el 11 de septiembre de 1973 esa fecha emblemática marca el día en que el

gobierno de Chile elegido democráticamente fue derrocado de manera violenta en un golpe de estado

los otros 11 de septiembre que hemos vivido en la historia de Chile - May 17 2022

web jun 20 2023 hay otros 11 de septiembre que también son grandes ataques como el que ocurrió en Chile un 11 de septiembre de 1541 cuando el gran cacique quillotano Michimalonco organizó una gran sublevación en contra de los 180 españoles que vivían en Santiago ciudad que terminó arrasada por el fuego

el otro 11 de septiembre ariel Dorfman habla del 50 aniversario del - Mar 27 2023

web sep 11 2023 recordamos el 50 aniversario de lo que a veces se nombra como el otro 11 de septiembre el golpe de estado respaldado por Estados Unidos en Chile en el que el general Augusto Pinochet

Chile 1973 el otro 11 de septiembre diariogloxxi.com - Sep 20 2022

web Chile 1973 el otro 11 de septiembre el presidente Salvador Allende murió ese día en el Palacio de la Moneda la sede del gobierno chileno mientras el general Augusto

el otro 11 de septiembre el golpe de estado militar que marcó la - Jun 29 2023

web sep 11 2023 el otro 11 de septiembre el golpe de estado militar que marcó la historia de Chile hace 50 años el 11 de septiembre de 1973 las fuerzas armadas perpetraron un golpe militar brutal que acabó en el suicidio del presidente socialista Salvador Allende democráticamente electo y en el bombardeo del Palacio de la Moneda