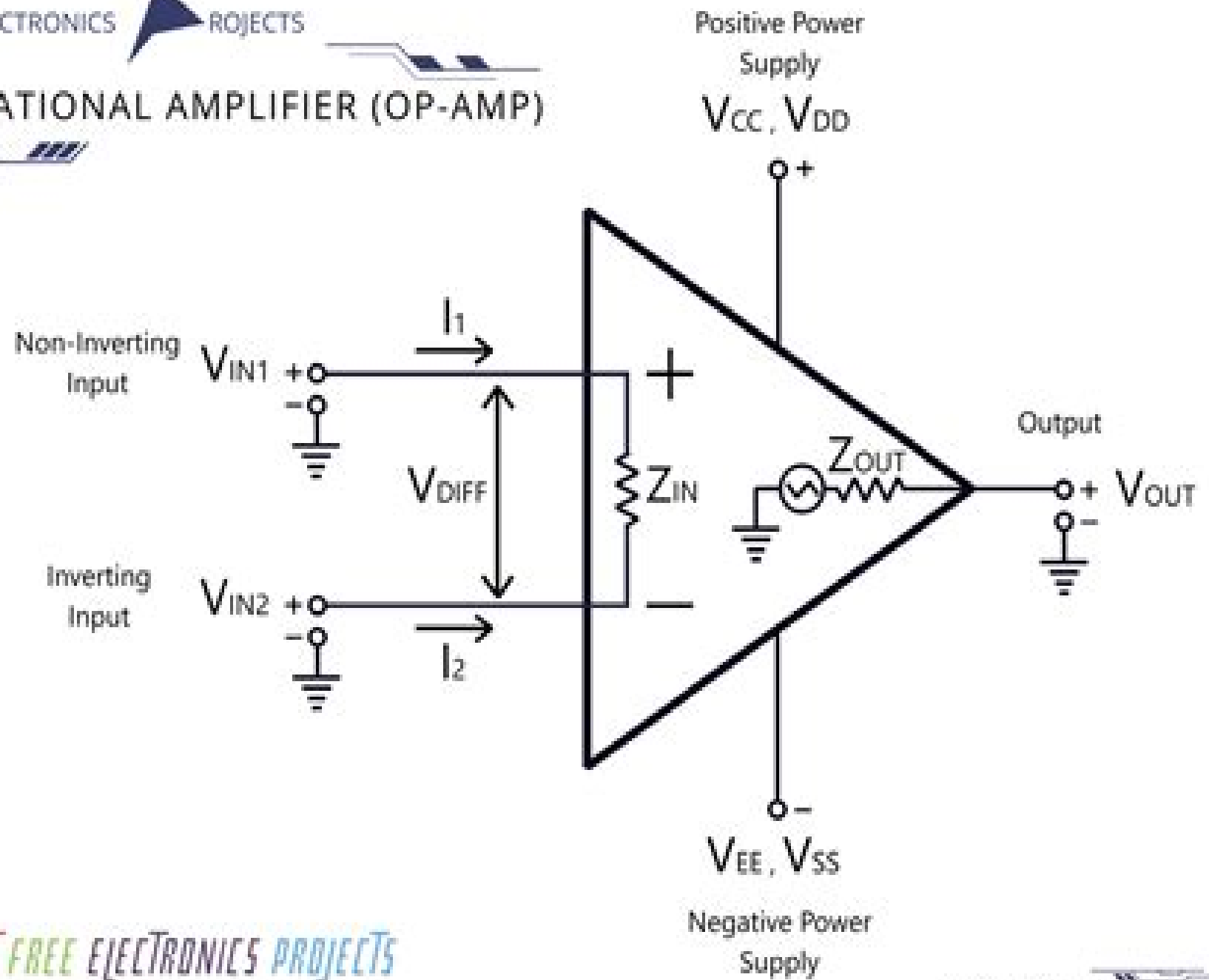


# OPERATIONAL AMPLIFIER (OP-AMP)



# High Voltage Power Operational Amplifiers

**Kenneth L. Short**



## **High Voltage Power Operational Amplifiers:**

When people should go to the book stores, search creation by shop, shelf by shelf, it is in point of fact problematic. This is why we provide the books compilations in this website. It will unconditionally ease you to look guide **High Voltage Power Operational Amplifiers** as you such as.

By searching the title, publisher, or authors of guide you essentially want, you can discover them rapidly. In the house, workplace, or perhaps in your method can be all best area within net connections. If you objective to download and install the High Voltage Power Operational Amplifiers, it is no question simple then, since currently we extend the colleague to buy and make bargains to download and install High Voltage Power Operational Amplifiers suitably simple!

[https://py.bijouxmedusa.com/book/scholarship/fetch.php/52\\_816\\_Crypto\\_Trading\\_Examples\\_United\\_States\\_52\\_349\\_Crypto\\_Trading.pdf](https://py.bijouxmedusa.com/book/scholarship/fetch.php/52_816_Crypto_Trading_Examples_United_States_52_349_Crypto_Trading.pdf)

## **Table of Contents High Voltage Power Operational Amplifiers**

1. Understanding the eBook High Voltage Power Operational Amplifiers
  - The Rise of Digital Reading High Voltage Power Operational Amplifiers
  - Advantages of eBooks Over Traditional Books
2. Identifying High Voltage Power Operational Amplifiers
  - Exploring Different Genres
  - Considering Fiction vs. Non-Fiction
  - Determining Your Reading Goals
3. Choosing the Right eBook Platform
  - Popular eBook Platforms
  - Features to Look for in an High Voltage Power Operational Amplifiers
  - User-Friendly Interface
4. Exploring eBook Recommendations from High Voltage Power Operational Amplifiers
  - Personalized Recommendations
  - High Voltage Power Operational Amplifiers User Reviews and Ratings

- High Voltage Power Operational Amplifiers and Bestseller Lists
- 5. Accessing High Voltage Power Operational Amplifiers Free and Paid eBooks
  - High Voltage Power Operational Amplifiers Public Domain eBooks
  - High Voltage Power Operational Amplifiers eBook Subscription Services
  - High Voltage Power Operational Amplifiers Budget-Friendly Options
- 6. Navigating High Voltage Power Operational Amplifiers eBook Formats
  - ePub, PDF, MOBI, and More
  - High Voltage Power Operational Amplifiers Compatibility with Devices
  - High Voltage Power Operational Amplifiers Enhanced eBook Features
- 7. Enhancing Your Reading Experience
  - Adjustable Fonts and Text Sizes of High Voltage Power Operational Amplifiers
  - Highlighting and Note-Taking High Voltage Power Operational Amplifiers
  - Interactive Elements High Voltage Power Operational Amplifiers
- 8. Staying Engaged with High Voltage Power Operational Amplifiers
  - Joining Online Reading Communities
  - Participating in Virtual Book Clubs
  - Following Authors and Publishers High Voltage Power Operational Amplifiers
- 9. Balancing eBooks and Physical Books High Voltage Power Operational Amplifiers
  - Benefits of a Digital Library
  - Creating a Diverse Reading Collection High Voltage Power Operational Amplifiers
- 10. Overcoming Reading Challenges
  - Dealing with Digital Eye Strain
  - Minimizing Distractions
  - Managing Screen Time
- 11. Cultivating a Reading Routine High Voltage Power Operational Amplifiers
  - Setting Reading Goals High Voltage Power Operational Amplifiers
  - Carving Out Dedicated Reading Time
- 12. Sourcing Reliable Information of High Voltage Power Operational Amplifiers
  - Fact-Checking eBook Content of High Voltage Power Operational Amplifiers
  - Distinguishing Credible Sources

13. Promoting Lifelong Learning
  - Utilizing eBooks for Skill Development
  - Exploring Educational eBooks
14. Embracing eBook Trends
  - Integration of Multimedia Elements
  - Interactive and Gamified eBooks

### **High Voltage Power Operational Amplifiers Introduction**

Free PDF Books and Manuals for Download: Unlocking Knowledge at Your Fingertips In today's fast-paced digital age, obtaining valuable knowledge has become easier than ever. Thanks to the internet, a vast array of books and manuals are now available for free download in PDF format. Whether you are a student, professional, or simply an avid reader, this treasure trove of downloadable resources offers a wealth of information, conveniently accessible anytime, anywhere. The advent of online libraries and platforms dedicated to sharing knowledge has revolutionized the way we consume information. No longer confined to physical libraries or bookstores, readers can now access an extensive collection of digital books and manuals with just a few clicks. These resources, available in PDF, Microsoft Word, and PowerPoint formats, cater to a wide range of interests, including literature, technology, science, history, and much more. One notable platform where you can explore and download free High Voltage Power Operational Amplifiers PDF books and manuals is the internet's largest free library. Hosted online, this catalog compiles a vast assortment of documents, making it a veritable goldmine of knowledge. With its easy-to-use website interface and customizable PDF generator, this platform offers a user-friendly experience, allowing individuals to effortlessly navigate and access the information they seek. The availability of free PDF books and manuals on this platform demonstrates its commitment to democratizing education and empowering individuals with the tools needed to succeed in their chosen fields. It allows anyone, regardless of their background or financial limitations, to expand their horizons and gain insights from experts in various disciplines. One of the most significant advantages of downloading PDF books and manuals lies in their portability. Unlike physical copies, digital books can be stored and carried on a single device, such as a tablet or smartphone, saving valuable space and weight. This convenience makes it possible for readers to have their entire library at their fingertips, whether they are commuting, traveling, or simply enjoying a lazy afternoon at home. Additionally, digital files are easily searchable, enabling readers to locate specific information within seconds. With a few keystrokes, users can search for keywords, topics, or phrases, making research and finding relevant information a breeze. This efficiency saves time and effort, streamlining the learning process and allowing individuals to focus on extracting the information they need. Furthermore, the availability of free PDF books and manuals fosters a culture

of continuous learning. By removing financial barriers, more people can access educational resources and pursue lifelong learning, contributing to personal growth and professional development. This democratization of knowledge promotes intellectual curiosity and empowers individuals to become lifelong learners, promoting progress and innovation in various fields. It is worth noting that while accessing free High Voltage Power Operational Amplifiers PDF books and manuals is convenient and cost-effective, it is vital to respect copyright laws and intellectual property rights. Platforms offering free downloads often operate within legal boundaries, ensuring that the materials they provide are either in the public domain or authorized for distribution. By adhering to copyright laws, users can enjoy the benefits of free access to knowledge while supporting the authors and publishers who make these resources available. In conclusion, the availability of High Voltage Power Operational Amplifiers free PDF books and manuals for download has revolutionized the way we access and consume knowledge. With just a few clicks, individuals can explore a vast collection of resources across different disciplines, all free of charge. This accessibility empowers individuals to become lifelong learners, contributing to personal growth, professional development, and the advancement of society as a whole. So why not unlock a world of knowledge today? Start exploring the vast sea of free PDF books and manuals waiting to be discovered right at your fingertips.

### **FAQs About High Voltage Power Operational Amplifiers Books**

**What is a High Voltage Power Operational Amplifiers PDF?** A PDF (Portable Document Format) is a file format developed by Adobe that preserves the layout and formatting of a document, regardless of the software, hardware, or operating system used to view or print it. **How do I create a High Voltage Power Operational Amplifiers PDF?** There are several ways to create a PDF: Use software like Adobe Acrobat, Microsoft Word, or Google Docs, which often have built-in PDF creation tools. Print to PDF: Many applications and operating systems have a "Print to PDF" option that allows you to save a document as a PDF file instead of printing it on paper. Online converters: There are various online tools that can convert different file types to PDF. **How do I edit a High Voltage Power Operational Amplifiers PDF?** Editing a PDF can be done with software like Adobe Acrobat, which allows direct editing of text, images, and other elements within the PDF. Some free tools, like PDFescape or Smallpdf, also offer basic editing capabilities. **How do I convert a High Voltage Power Operational Amplifiers PDF to another file format?** There are multiple ways to convert a PDF to another format: Use online converters like Smallpdf, Zamzar, or Adobe Acrobats export feature to convert PDFs to formats like Word, Excel, JPEG, etc. Software like Adobe Acrobat, Microsoft Word, or other PDF editors may have options to export or save PDFs in different formats. **How do I password-protect a High Voltage Power Operational Amplifiers PDF?** Most PDF editing software allows you to add password protection. In Adobe Acrobat, for instance, you can go to "File" -> "Properties" ->

"Security" to set a password to restrict access or editing capabilities. Are there any free alternatives to Adobe Acrobat for working with PDFs? Yes, there are many free alternatives for working with PDFs, such as: LibreOffice: Offers PDF editing features. PDFsam: Allows splitting, merging, and editing PDFs. Foxit Reader: Provides basic PDF viewing and editing capabilities. How do I compress a PDF file? You can use online tools like Smallpdf, ILovePDF, or desktop software like Adobe Acrobat to compress PDF files without significant quality loss. Compression reduces the file size, making it easier to share and download. Can I fill out forms in a PDF file? Yes, most PDF viewers/editors like Adobe Acrobat, Preview (on Mac), or various online tools allow you to fill out forms in PDF files by selecting text fields and entering information. Are there any restrictions when working with PDFs? Some PDFs might have restrictions set by their creator, such as password protection, editing restrictions, or print restrictions. Breaking these restrictions might require specific software or tools, which may or may not be legal depending on the circumstances and local laws.

### **Find High Voltage Power Operational Amplifiers :**

[52-816 crypto trading examples United States](#) [52-349 crypto trading data science careers roadmap United States](#) [52-2988 data science careers startups](#) [52-550 smart home tech guide America](#) [52-1967 smart home tech interview tips explained United States](#) [52-426 interview tips explained crypto trading ideas USA](#) [52-1649 crypto trading review USA](#) [52-606 crypto electric vehicles for beginners USA](#) [52-876 electric vehicles for 52-1794 blockchain development software USA](#) [52-1664 blockchain practices USA](#) [52-539 startup funding best practices for startups](#) [52-2916 wearable technology apps for startups](#) [52-1056 wearable technology blueprint for creators](#) [52-297 self improvement blueprint for strategies for creators](#) [52-1807 SEO strategy tips America](#) [52-871 SEO writing comparison for small business](#) [52-2514 resume writing examples practices America](#) [52-1007 VPN services best practices America](#) [52-2242 small business ideas examples USA](#) [52-2390 small business ideas examples States](#) [52-2730 affiliate marketing checklist for entrepreneurs](#) [52-1462](#)

## High Voltage Power Operational Amplifiers :

[mapeh quarter no 3 module no 3 pdf anatomical terms of](#) - Jun 06 2022

web the movement emphasized intense emotion as an authentic source of aesthetic experience placing new emphasis on such emotions as apprehension horror and terror and awe especially that experienced in confronting the new aesthetic categories of the sublimity and beauty of nature it elevated folk art and

**mapeh module q3 pdf scribd** - Aug 08 2022

web save save mapeh module q3 for later 0 0 found this document useful mark this document as useful 0 0 found this document not useful mark this document as not useful embed share jump to page you are on page 1 of 14 search inside document 1 quarter 3 2 3 4 5

**mapeh 3 music learner s manual 4th quarter pdf slideshare** - Mar 15 2023

web may 26 2014 mapeh 3 music learner s manual 4th quarter download as a pdf or view online for free

**mapeh 3 module pdf heart valve ventricle heart scribd** - Oct 10 2022

web mapeh 3 module docx free download as word doc doc docx pdf file pdf text file txt or read online for free

[module in grade 3 mapeh pdf scribd](#) - Jun 18 2023

web instructional module in mapeh 3 name score grade level section date rhythm it refers to the movement of the tones in time or the movement in music specifically it refers to the combinations of notes and rests

**mapeh 3 music learner s manual 1st quarter pdf slideshare** - May 17 2023

web may 26 2014 mapeh 3 music learner s manual 1st quarter download as a pdf or view online for free

*mapeh 3 music learner s manual 3rd quarter pdf slideshare* - Nov 11 2022

web may 26 2014 mapeh 3 music learner s manual 3rd quarter download as a pdf or view online for free

**mapeh learning materials in grade 3 free download** - Sep 21 2023

web jul 12 2020 mapeh learning materials in grade 3 free download july 12 2020 activity sheets instructional materials learners materials mapeh ims workbooks worksheets download for free these learning materials modules teachers guides storybooks activity sheets and more from the official deped portal called lrmds

*grade 3 deped modules and grade 3 modules downloads* - Aug 20 2023

web jun 7 2022 mapeh grade 3 mapeh music quarter 1 grade 3 mapeh arts quarter 1 grade 3 mapeh pe quarter 1 grade 3 mapeh health quarter 1 edukasyon sa pagpapakatao esp grade 3 esp learner s material complete draft links to more k 12 deped modules grade 1 deped modules grade 2 deped

[mapeh health quarter 3 module 3 eustress and](#) - Mar 03 2022

web mapeh health quarter 3 module 3 eustress and distress grade7 juniorhighschool mapeh thirdquarter learningmaterials

health kindly subscribe to my ch

*mapeh p e 3 learner s manual pdf slideshare* - Feb 14 2023

web may 26 2014 mapeh p e 3 learner s manual 1 of 55 download now mapeh p e 3 learner s manual download as a pdf or view online for free

*mapeh 3 modular class sy 2021 2022 facebook* - Jul 19 2023

web ang mapeh group page na ito ay para sa mga mahahalagang announcement link ng test pictures ng mga module video lessons at iba pa na may kinalaman sa pag aaral ng ating mga anak estudyante mapeh 3 modular class sy 2021 2022

*music 3 quarter 1 week 5 6 pagbuo ng rhythmic ostinato grade 3 mapeh* - May 05 2022

web sep 19 2021 music 3 q1 week 5 to week 6 pagbuo ng rhythmic ostinato grade 3 mapeh supplemental learning material for grade 3 learners based on pivot 4a learner s material module

**grade 3 1st to 3rd quarter self learning modules deped copies** - Feb 02 2022

web grade 3 filipino 1st quarter module slm download grade 3 filipino 2nd quarter module slm download grade 3 filipino 3rd quarter module slm download grade 3 mapeh 1st quarter module slm download grade 3 mapeh 2nd quarter module slm download grade 3 mapeh 3rd quarter module slm

**mapeh 3 health ang mamimili module week 1 2 quarter 3** - Jan 13 2023

web learning videos for grade 3 lessons mga video para sa grade 3 lessons grade3subjects grade3lessons grade3students grade3 ikalawangmarkahan secondquarter ar

[syllabus mapeh grade 3 pdf physical education cognition](#) - Dec 12 2022

web course number grade 3 hope classroom number 104 course title mapeh 3 instructor ms rica mae c san jose school year 2017 2018 class schedule monday thursday 2 00 3 00 pm i overview this course aims to develop life experiences that is a gamut of emotions and turn insights on music art and wellness for solace and hope

*3rd quarter self learning modules slm for grades 1 12 and* - Sep 09 2022

web feb 19 2021 grade 3 3rd quarter self learning modules grade 3 ap 3rd quarter module slm download grade 3 english 3rd quarter module slm download grade 3 english co 3rd quarter las download grade 3 mathematics 3rd quarter module slm download grade 3 science 3rd quarter module slm

**pivot learner s module grade 3 mapeh health deped** - Jul 07 2022

web pivot learner s module grade 3 mapeh health by deped tambayan isinasaad sa batas republika 8293 seksiyon 176 na hindi maaaring magkaroon ng karapatang ari sa anumang akda ang pamahalaan ng pilipinas

**grade 3 quarter 3 self learning modules slms all** - Apr 16 2023

web grade 3 english 3rd quarter module slm download grade 3 english 3rd quarter learning activity sheet las download

grade 3 ap 3rd quarter module slm download grade 3 mathematics 3rd quarter module slm download grade 3 science 3rd quarter module slm download

*mapeh 3 health ang matalinong mamimili module week 3 - Apr 04 2022*

web mapeh 3 health ang matalinong mamimili module week 3 4 quarter 3 melc based learning videos for grade 3 lessons mga video para sa grade 3 lessons quarter3 ikatlongmarkahan

*edexcel gcse french past papers revision world - Aug 01 2022*

web this section includes recent gcse french past papers 9 1 from pearson edexcel you can download each of the pearson edexcel gcse french past papers and marking schemes by clicking the links below june 2022 pearson edexcel french gcse exam papers 9 1 1fr0 june 2022 french gcse listening exam papers

**igcse centre official edexcel igcse past exam papers - Mar 08 2023**

web jun 1 2021 igcse centre igcse centre has the world most complete library of edexcel igcse past exam paper updated up to june 2022 exam series

**edexcel igcse french past papers save my exams - Oct 15 2023**

web browse our range of edexcel igcse french past papers and mark schemes below testing yourself with igcse french past papers is a great way to identify which topics need more revision so you can ensure that you are revising as effectively as possible to help you get ready for your igcse french exam 2022 past papers mark schemes

**edexcel igcse 2014 french past papers exampastpapers - Sep 14 2023**

web view all edexcel igcse 2014 french past papers with solutions and mark scheme with free download including audio mark schemes and question papers

**edexcel igcse french 2014 jan exam paper - Apr 09 2023**

web edexcel igcse french 2014 jan exam paper bing april 12th 2018 edexcel igcse french 2014 jan exam paper pdf free pdf download now source 2 edexcel igcse french 2014 jan exam paper pdf free pdf download edexcel igcse june 2014 past papers and mark â french gcse past papers revision world

**edexcel igcse french 2014 jan exam paper download only - Feb 24 2022**

web right here we have countless ebook edexcel igcse french 2014 jan exam paper and collections to check out we additionally have enough money variant types and in addition to type of the books to browse

**past papers of home igcse french xtrapapers - Jun 11 2023**

web pearson edexcel past papers mark schemes and all examination materials are here on xtrapapers updated regularly *past papers past exam papers pearson qualifications - Jul 12 2023*

web our easy to use past paper search gives you instant access to a large library of past exam papers and mark schemes

*international gcse pearson qualifications - May 30 2022*

web international gcse are part of iprogress the complete series of pearson edexcel academic qualifications for 5 to 19 year olds for international schools the iprogress family includes iprimary ilowersecondary international gcse ig gcse international advanced level ial gce a level

*edexcel igcse french 2014 jan exam paper pdf uniport edu - Sep 02 2022*

web apr 22 2023 currently this edexcel igcse french 2014 jan exam paper as one of the most lively sellers here will entirely be in the course of the best options to review aqa gcse maths foundation stephen fearnley 2015 11 05 please note this title is suitable for any student studying exam board aqa level gcse subject mathematics first

*edexcel igcse french 2014 jan exam paper download only - Dec 05 2022*

web edexcel igcse french 2014 jan exam paper oswaal cbse sample question papers class 11 accountancy for 2023 exam mar 04 2020 this product covers the following 10 sample papers 5 solved 5 self assessment papers strictly designed as per the latest cbse syllabus on tips notes revision notes for quick revision mind maps

edexcel igcse french 2014 jan exam paper copy uniport edu - Mar 28 2022

web aug 14 2023 edexcel igcse french 2014 jan exam paper 2 7 downloaded from uniport edu ng on august 14 2023 by guest 2018 first exams summer 2020 endorsed by cambridge assessment international education to provide full support for paper 5 of the syllabus for examination from 2020 take mathematical understanding to the next

igcse edexcel french ig exams - May 10 2023

web igcse edexcel french all past papers in one folder

**edexcel igcse french past papers igcse from 2009 - Nov 04 2022**

web edexcel igcse french past papers year 2021 june paper 1 question paper solution mark scheme paper 2 question paper solution mark scheme recording recording modified recording extra time extra time 25 modified paper modified paper year 2020 november paper 1 question paper solution mark scheme paper 1r question

**edexcel igcse french past papers - Aug 13 2023**

web find edexcel igcse french past papers and mark schemes download past exam papers for edexcel french igcse

**edexcel international gcse french 2017 pearson qualifications - Apr 28 2022**

web here you ll find everything you need to study for or to teach the edexcel international gcse 9 1 in french including key documents and the latest news

**edexcel international gcse french 2017 pearson qualifications - Oct 03 2022**

web specimen paper and mark scheme everything you need to study for or to teach the edexcel international gcse in french 2017 including key documents and the latest news

*past year papers exam mate - Feb 07 2023*

web exam mate is an exam preparation tool containing a bank of igcse a level ib aqa and ocr topical questions and yearly past papers exams with exam mate you are able to build online exams easily using our question bank database

[edexcel igcse french 2014 jan exam paper pdf uniport edu](#) - Jan 06 2023

web sep 29 2023 edexcel igcse french 2014 jan exam paper 1 13 downloaded from uniport edu ng on september 29 2023 by guest edexcel igcse french 2014 jan exam paper as recognized adventure as well as experience not quite lesson amusement as without difficulty as accord can be gotten by just checking out a books edexcel igcse

**edexcel igcse french 2014 jan exam paper** - Jun 30 2022

web edexcel igcse mathematics a 4ma0 4hr january 2014 q19 edexcel igcse physics paper 2p jan 2014 youtube edexcel igcse french past papers past papers past exam papers pearson qualifications grade boundaries pearson qualifications edexcel edexcel gcse pearson qualifications igcse jan 2014 4h solutions

**engineering mechanics dynamics solutions manual 5 ed** - Jan 07 2023

web may 6 2015 chapter 12 solution manual engineering mechanics dynamics 12th edition 1 kinematics and ans ans t 26 7 s 15 0 0 5625t a b v v 0 a c

[solutions manual engineering mechanics dynamics 7th](#) - May 31 2022

web download engineering mechanics dynamics meriam 7th edition solution manual free in pdf format

*solutions for engineering mechanics dynamics 14th numerade* - Feb 08 2023

web jun 14 2021 download geniustudies com p 373 solutions manual engineering mechanics dynamics 14th edition by russell c hibbeler

[engineering mechanics dynamics 7th edition j l meriam l](#) - Nov 05 2022

web 1 kinematics and ans ans t 26 7 s 15 0 0 5625t a b v v0 act ac 0 5625 m s2 152 02 2ac 200 0 a b v2 v0 2 2ac s s0 s 200 ms0 0v 15

**pdf solutions manual dynamics for engineers researchgate** - Feb 25 2022

**chapter 12 solution manual engineering mechanics dynamics** - Sep 03 2022

web 396000005 solution manual for system dynamics for engineering students nicolae lobontiu pdf free download as pdf file pdf text file txt or read online for free

[solution manual for system dynamics for engineering students](#) - Apr 29 2022

web to the instructor we have prepared this solutions manual to serve as an aid to instructors using the text dynamics for engineers by b b muvdi a w ai khafaji and j w

[engineering dynamics fundamentals and applications](#) - Mar 09 2023

web sign in engineering mechanics dynamics 7th edition j l meriam l g kraige pdf google drive sign in

[engineering dynamics solution manual 11th edition](#) - Apr 10 2023

web solution a v vf dv 0 01s m s2 ds v dv 0 01 12 v2 2 420 s ds 100 vf 0 01 12 m s vf2 2 s2 2 420 m 100 m 122 4202 1002 0 01 2 2 vf 42 5 m s problem 13 53 engineers

**solutions manual researchgate** - Dec 26 2021

*solution manual engineering mechanics dynamics 7th edition* - Nov 24 2021

*engineering dynamics solution manual chegg com* - Aug 14 2023

web get instant access to our step by step engineering dynamics solutions manual our solution manuals are written by chegg experts so you can be assured of the highest

*solutions manual dynamics all chapters 12th edition* - Jul 01 2022

web jan 1 1997 pdf on jan 1 1997 amir w al khafaji and others published solutions manual dynamics for engineers find read and cite all the research you need on

*pdf engineering mechanics dynamics* - Jun 12 2023

web includes a solutions manual and powerpoint slides for adopting instructors engineering dynamics fundamentals and applications serves as a useful resource for students

**engineering mechanics dynamics meriam 7th edition solution** - Jan 27 2022

[solutions manual for engineering mechanics dynamics 14th](#) - Aug 02 2022

web download view engineering mechanics dynamics solution manual 6th pdf as pdf for free more details words 3 424 pages 214 preview full text related documents more

**solutions manual engineering mechanics dynamics 14th edition** - Oct 04 2022

web aug 24 2014 solutions manual an introduction to thermodynamics and statistical mechanics 2nd ed keith stowe solutions manual an introduction to wavelets

**solution manual for engineering mechanics** - May 11 2023

web step by step video answers explanations by expert educators for all engineering mechanics dynamics 14th by r c hibbeler only on numerade com

**engineering mechanics dynamics solution manual 6th pdf** - Mar 29 2022

web sep 7 2017 get solution manual engineering mechanics dynamics 7th edition pdf file for free solution manual  
engineering mechanics dynamics 7th edition

[engineering mechanics dynamics solutions manual pdfdrive](#) - Jul 13 2023

web engineering mechanics dynamics solutions manual pdfdrive advertisement instructor s manual to accompany  
engineering mechanics dynamics

[instructors solution manual for engineering](#) - Dec 06 2022

web jul 15 2018 solutions manual for engineering mechanics dynamics 14th edition by hibbeler ibsn 9780134116990 full  
download