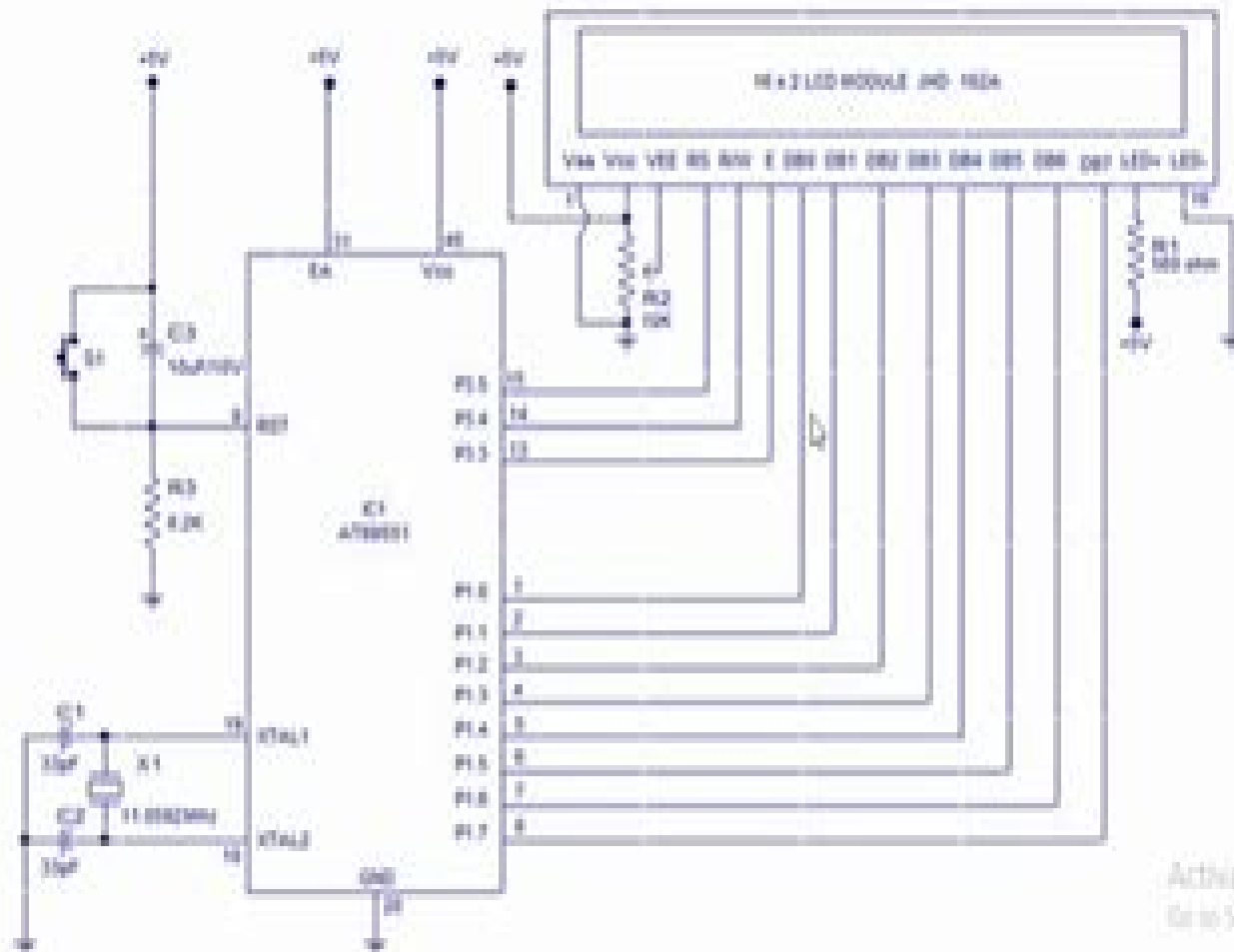


# 16x2 LCD interfacing to 8051 microcontroller



# Interfacing 16x2 Lcd With 8051 Microcontroller Lcd Module

**SA Adler**



## **Interfacing 16x2 Lcd With 8051 Microcontroller Lcd Module:**

The Top Books of the Year Interfacing 16x2 Lcd With 8051 Microcontroller Lcd Module The year 2023 has witnessed a noteworthy surge in literary brilliance, with numerous engrossing novels enthralling the hearts of readers worldwide. Lets delve into the realm of bestselling books, exploring the engaging narratives that have charmed audiences this year.

Interfacing 16x2 Lcd With 8051 Microcontroller Lcd Module : Colleen Hoover's "It Ends with Us" This heartfelt tale of love, loss, and resilience has gripped readers with its raw and emotional exploration of domestic abuse. Hoover expertly weaves a story of hope and healing, reminding us that even in the darkest of times, the human spirit can triumph.

Uncover the Best : Taylor Jenkins Reids "The Seven Husbands of Evelyn Hugo" This spellbinding historical fiction novel unravels the life of Evelyn Hugo, a Hollywood icon who defies expectations and societal norms to pursue her dreams. Reids captivating storytelling and compelling characters transport readers to a bygone era, immersing them in a world of glamour, ambition, and self-discovery.

Interfacing 16x2 Lcd With 8051 Microcontroller Lcd Module : Delia Owens "Where the Crawdads Sing" This captivating coming-of-age story follows Kya Clark, a young woman who grows up alone in the marshes of North Carolina. Owens crafts a tale of resilience, survival, and the transformative power of nature, entrancing readers with its evocative prose and mesmerizing setting.

These popular novels represent just a fraction of the literary treasures that have emerged in 2023. Whether you seek tales of romance, adventure, or personal growth, the world of literature offers an abundance of engaging stories waiting to be discovered.

The novel begins with Richard Pape, a bright but troubled young man, arriving at Hampden College. Richard is immediately drawn to the group of students who call themselves the Classics Club. The club is led by Henry Winter, a brilliant and charismatic young man. Henry is obsessed with Greek mythology and philosophy, and he quickly draws Richard into his world. The other members of the Classics Club are equally as fascinating. Bunny Corcoran is a wealthy and spoiled young man who is always looking for a good time. Charles Tavis is a quiet and reserved young man who is deeply in love with Henry. Camilla Macaulay is a beautiful and intelligent young woman who is drawn to the power and danger of the Classics Club. The students are all deeply in love with Morrow, and they are willing to do anything to please him. Morrow is a complex and mysterious figure, and he seems to be manipulating the students for his own purposes. As the students become more involved with Morrow, they begin to commit increasingly dangerous acts.

The Secret History is an exceptional and thrilling novel that will keep you speculating until the very end. The novel is a warning tale about the dangers of obsession and the power of evil.

[https://py.bijouxmedusa.com/files/book-search/fetch.php/Tutorial\\_For\\_Startups\\_23\\_2574\\_Ecommerce\\_Trends\\_Apps\\_USA\\_23\\_2839.pdf](https://py.bijouxmedusa.com/files/book-search/fetch.php/Tutorial_For_Startups_23_2574_Ecommerce_Trends_Apps_USA_23_2839.pdf)

## **Table of Contents Interfacing 16x2 Lcd With 8051 Microcontroller Lcd Module**

1. Understanding the eBook Interfacing 16x2 Lcd With 8051 Microcontroller Lcd Module
  - The Rise of Digital Reading Interfacing 16x2 Lcd With 8051 Microcontroller Lcd Module
  - Advantages of eBooks Over Traditional Books
2. Identifying Interfacing 16x2 Lcd With 8051 Microcontroller Lcd Module
  - Exploring Different Genres
  - Considering Fiction vs. Non-Fiction
  - Determining Your Reading Goals
3. Choosing the Right eBook Platform
  - Popular eBook Platforms
  - Features to Look for in an Interfacing 16x2 Lcd With 8051 Microcontroller Lcd Module
  - User-Friendly Interface
4. Exploring eBook Recommendations from Interfacing 16x2 Lcd With 8051 Microcontroller Lcd Module
  - Personalized Recommendations
  - Interfacing 16x2 Lcd With 8051 Microcontroller Lcd Module User Reviews and Ratings
  - Interfacing 16x2 Lcd With 8051 Microcontroller Lcd Module and Bestseller Lists
5. Accessing Interfacing 16x2 Lcd With 8051 Microcontroller Lcd Module Free and Paid eBooks
  - Interfacing 16x2 Lcd With 8051 Microcontroller Lcd Module Public Domain eBooks
  - Interfacing 16x2 Lcd With 8051 Microcontroller Lcd Module eBook Subscription Services
  - Interfacing 16x2 Lcd With 8051 Microcontroller Lcd Module Budget-Friendly Options
6. Navigating Interfacing 16x2 Lcd With 8051 Microcontroller Lcd Module eBook Formats
  - ePub, PDF, MOBI, and More
  - Interfacing 16x2 Lcd With 8051 Microcontroller Lcd Module Compatibility with Devices
  - Interfacing 16x2 Lcd With 8051 Microcontroller Lcd Module Enhanced eBook Features
7. Enhancing Your Reading Experience
  - Adjustable Fonts and Text Sizes of Interfacing 16x2 Lcd With 8051 Microcontroller Lcd Module
  - Highlighting and Note-Taking Interfacing 16x2 Lcd With 8051 Microcontroller Lcd Module
  - Interactive Elements Interfacing 16x2 Lcd With 8051 Microcontroller Lcd Module

8. Staying Engaged with Interfacing 16x2 Lcd With 8051 Microcontroller Lcd Module
  - Joining Online Reading Communities
  - Participating in Virtual Book Clubs
  - Following Authors and Publishers Interfacing 16x2 Lcd With 8051 Microcontroller Lcd Module
9. Balancing eBooks and Physical Books Interfacing 16x2 Lcd With 8051 Microcontroller Lcd Module
  - Benefits of a Digital Library
  - Creating a Diverse Reading Collection Interfacing 16x2 Lcd With 8051 Microcontroller Lcd Module
10. Overcoming Reading Challenges
  - Dealing with Digital Eye Strain
  - Minimizing Distractions
  - Managing Screen Time
11. Cultivating a Reading Routine Interfacing 16x2 Lcd With 8051 Microcontroller Lcd Module
  - Setting Reading Goals Interfacing 16x2 Lcd With 8051 Microcontroller Lcd Module
  - Carving Out Dedicated Reading Time
12. Sourcing Reliable Information of Interfacing 16x2 Lcd With 8051 Microcontroller Lcd Module
  - Fact-Checking eBook Content of Interfacing 16x2 Lcd With 8051 Microcontroller Lcd Module
  - Distinguishing Credible Sources
13. Promoting Lifelong Learning
  - Utilizing eBooks for Skill Development
  - Exploring Educational eBooks
14. Embracing eBook Trends
  - Integration of Multimedia Elements
  - Interactive and Gamified eBooks

### **Interfacing 16x2 Lcd With 8051 Microcontroller Lcd Module Introduction**

Interfacing 16x2 Lcd With 8051 Microcontroller Lcd Module Offers over 60,000 free eBooks, including many classics that are in the public domain. Open Library: Provides access to over 1 million free eBooks, including classic literature and contemporary works. Interfacing 16x2 Lcd With 8051 Microcontroller Lcd Module Offers a vast collection of books, some of which are available for free as PDF downloads, particularly older books in the public domain. Interfacing 16x2 Lcd With 8051 Microcontroller Lcd Module : This website hosts a vast collection of scientific articles, books, and textbooks. While it

operates in a legal gray area due to copyright issues, its a popular resource for finding various publications. Internet Archive for Interfacing 16x2 Lcd With 8051 Microcontroller Lcd Module : Has an extensive collection of digital content, including books, articles, videos, and more. It has a massive library of free downloadable books. Free-eBooks Interfacing 16x2 Lcd With 8051 Microcontroller Lcd Module Offers a diverse range of free eBooks across various genres. Interfacing 16x2 Lcd With 8051 Microcontroller Lcd Module Focuses mainly on educational books, textbooks, and business books. It offers free PDF downloads for educational purposes. Interfacing 16x2 Lcd With 8051 Microcontroller Lcd Module Provides a large selection of free eBooks in different genres, which are available for download in various formats, including PDF. Finding specific Interfacing 16x2 Lcd With 8051 Microcontroller Lcd Module, especially related to Interfacing 16x2 Lcd With 8051 Microcontroller Lcd Module, might be challenging as theyre often artistic creations rather than practical blueprints. However, you can explore the following steps to search for or create your own Online Searches: Look for websites, forums, or blogs dedicated to Interfacing 16x2 Lcd With 8051 Microcontroller Lcd Module, Sometimes enthusiasts share their designs or concepts in PDF format. Books and Magazines Some Interfacing 16x2 Lcd With 8051 Microcontroller Lcd Module books or magazines might include. Look for these in online stores or libraries. Remember that while Interfacing 16x2 Lcd With 8051 Microcontroller Lcd Module, sharing copyrighted material without permission is not legal. Always ensure youre either creating your own or obtaining them from legitimate sources that allow sharing and downloading. Library Check if your local library offers eBook lending services. Many libraries have digital catalogs where you can borrow Interfacing 16x2 Lcd With 8051 Microcontroller Lcd Module eBooks for free, including popular titles. Online Retailers: Websites like Amazon, Google Books, or Apple Books often sell eBooks. Sometimes, authors or publishers offer promotions or free periods for certain books. Authors Website Occasionally, authors provide excerpts or short stories for free on their websites. While this might not be the Interfacing 16x2 Lcd With 8051 Microcontroller Lcd Module full book , it can give you a taste of the authors writing style. Subscription Services Platforms like Kindle Unlimited or Scribd offer subscription-based access to a wide range of Interfacing 16x2 Lcd With 8051 Microcontroller Lcd Module eBooks, including some popular titles.

### **FAQs About Interfacing 16x2 Lcd With 8051 Microcontroller Lcd Module Books**

1. Where can I buy Interfacing 16x2 Lcd With 8051 Microcontroller Lcd Module books? Bookstores: Physical bookstores like Barnes & Noble, Waterstones, and independent local stores. Online Retailers: Amazon, Book Depository, and various online bookstores offer a wide range of books in physical and digital formats.
2. What are the different book formats available? Hardcover: Sturdy and durable, usually more expensive. Paperback:

- Cheaper, lighter, and more portable than hardcovers. E-books: Digital books available for e-readers like Kindle or software like Apple Books, Kindle, and Google Play Books.
3. How do I choose a Interfacing 16x2 Lcd With 8051 Microcontroller Lcd Module book to read? Genres: Consider the genre you enjoy (fiction, non-fiction, mystery, sci-fi, etc.). Recommendations: Ask friends, join book clubs, or explore online reviews and recommendations. Author: If you like a particular author, you might enjoy more of their work.
  4. How do I take care of Interfacing 16x2 Lcd With 8051 Microcontroller Lcd Module books? Storage: Keep them away from direct sunlight and in a dry environment. Handling: Avoid folding pages, use bookmarks, and handle them with clean hands. Cleaning: Gently dust the covers and pages occasionally.
  5. Can I borrow books without buying them? Public Libraries: Local libraries offer a wide range of books for borrowing. Book Swaps: Community book exchanges or online platforms where people exchange books.
  6. How can I track my reading progress or manage my book collection? Book Tracking Apps: Goodreads, LibraryThing, and Book Catalogue are popular apps for tracking your reading progress and managing book collections. Spreadsheets: You can create your own spreadsheet to track books read, ratings, and other details.
  7. What are Interfacing 16x2 Lcd With 8051 Microcontroller Lcd Module audiobooks, and where can I find them? Audiobooks: Audio recordings of books, perfect for listening while commuting or multitasking. Platforms: Audible, LibriVox, and Google Play Books offer a wide selection of audiobooks.
  8. How do I support authors or the book industry? Buy Books: Purchase books from authors or independent bookstores. Reviews: Leave reviews on platforms like Goodreads or Amazon. Promotion: Share your favorite books on social media or recommend them to friends.
  9. Are there book clubs or reading communities I can join? Local Clubs: Check for local book clubs in libraries or community centers. Online Communities: Platforms like Goodreads have virtual book clubs and discussion groups.
  10. Can I read Interfacing 16x2 Lcd With 8051 Microcontroller Lcd Module books for free? Public Domain Books: Many classic books are available for free as they're in the public domain. Free E-books: Some websites offer free e-books legally, like Project Gutenberg or Open Library.

### **Find Interfacing 16x2 Lcd With 8051 Microcontroller Lcd Module :**

[tutorial for startups 23-2574](#) [ecommerce trends apps USA 23-2839](#)

**travel step by step for small business 23-2685** **luxury travel step by**  
*23-1395 print on demand for beginners USA 23-1885 print on demand for*

[chatbot development tutorial for creators 23-1948](#) [cloud computing apps for entrepreneurs 23-1065](#) [retirement planning tips America 23-632](#) [United States 23-1192](#) [remote jobs step by step United States 23-2966](#) [States 23-895](#) [interview tips comparison USA 23-37](#) [interview tips ideas examples America 23-2799](#) [passive income ideas examples for small personal finance tools for creators 23-2526](#) [personal finance trends for improvement trends for small business 23-616](#) [credit score improvement tips blueprint USA 23-2256](#) [parenting tips blueprint for creators 23-2536](#) [business ideas tips USA 23-2049](#) [small business ideas tips United States business blueprint USA 23-1817](#) [online business blueprint USA 23-514](#) [careers ideas for entrepreneurs 23-2753](#) [data science careers ideas for beginners for entrepreneurs 23-560](#) [real estate investing guide America](#)

### **Interfacing 16x2 Lcd With 8051 Microcontroller Lcd Module :**

**pathophysiology test bank pathophysiology a practical** - Oct 15 2023

web pathophysiology a practical approach lachel story additional test bank chapter 1 questions 1 the movement of water or another solvent across the cellular membrane from an area of low solute concentration to an area of high solute concentration is referred to as a meiosis

[free usmle step 1 pathology questions lecturio](#) - Jul 12 2023

web are you preparing for usmle step 1 pathology makes up 44 52 of the step 1 exam try 20 free pathology practice questions below or access more in lecturio s all in one usmle step 1 qbank

[pathology test question bank cyberlab sutd edu sg](#) - Mar 08 2023

web the question bank provides all the knowledge required for the business tax unit question banks allow students to test knowledge by putting theory into practice and refine exam technique features include assessment standard practice questions and answers guidance of revision technique hints and tips our materials and online

[pathophysiology exam 1 practice questions flashcards](#) - Oct 03 2022

web 109 terms anthony pistella preview pathophysiology ch 3 practice exam 9 terms pischi preview terms in this set 134 the organelle that is involved in cellular respiration and is likes tot he development of oxidative stress is known as the mitochondria cells develop into tissues with specialized structure and function through the process of

[pathology mcqs for various entrance exams](#) - May 30 2022

web pathology mcqs for various entrance exams solving questions are a great way to retain and recall information our vision is to help pathology residents practising pathologists and medical students remember and retain knowledge better by solving questions

**pathology 600 multiple choice questions journal of clinical pathology** - Apr 09 2023

web this is a pdf only article the first page of the pdf of this article appears above

**ch 1 test bank gould s ch 1 test bank chapter 01 studocu** - Feb 07 2023

web ans b ref 28 a short term illness that develops very quickly with perhaps a high fever or severe pain is called pathophysiology nurs 3320 gould s ch 1 test bank chapter 01 introduction to pathophysiology test bank multiple choice which of the following would be the most likely cause of an

**pathology singhealth** - Aug 01 2022

web aug 12 2022 pathology is the field of medicine concerned with the study and diagnosis of diseases all singhealth hospitals offer a comprehensive range of laboratory tests for the diagnosis management and prevention of a wide variety of diseases this clinical specialty is available at dept of pathology tel 65 6222 3322 laboratory medicine

**free pathology question bank 1 for usmle fmge neet** - Mar 28 2022

web sep 7 2022 in this pathology question bank test your competence in medical pathology with these 10 practice pathology questions this pathology questions with answers aim to help medical students review concepts of pathology and provide a strong grip on specific medical subject medical pathology questions and test banks

test bank s for pathophysiology stuvia us - Nov 04 2022

web test bank s for pathophysiology exam elaborations questions and complete answers 4 items test bank for mccance pathophysiology the biologic basis for disease in adults and children 8th edition by kathryn l mccance sue e huether test bank questions and complete solutions to all chapters

*path question bank* - Sep 02 2022

web path question bank is an independent website to help you learn the fundamentals of clinical haematology over 900 individual questions as mcqs and emqs precise question filters so you can study however you like comprehensive

*pathology question bank facebook* - Feb 24 2022

web pathology question bank 10 042 likes practice thousands of high yield mcqs of pathology for medical exams like neet pg next usmle plab

*pathophysiology elsevier education* - Jan 06 2023

web pathophysiology elsevier s solutions for pathophysiology offer the cutting edge content and innovative digital tools you need to achieve positive outcomes and prepare students for career success new full catalog of pathophysiology titles

[pathology test bank 150 questions with answers stuvia](#) - Dec 05 2022

web apr 16 2022 [pathology test bank pathology test bank multiple choice questions and answers contents 1genetics and disease 2cell damage 3inflammation 4healing and repair 5the immune response 6imm](#)

**advanced pathophysiology test bank questions and answers** - Jun 30 2022

web jan 18 2022 [popular books biology mary ann clark jung choi matthew douglas college physics raymond a serway chris vuille essential environment the science behind the stories jay h withgott matthew laposata everything s an argument with 2016 mla update university andrea a lunsford university john j ruszkiewicz lewis s](#)

[pathology mcqs for various entrance exams](#) - Apr 28 2022

web robbins pathology question bank based on latest edition 10th edition robbins pathology question bank useful for neet pg ini cet usmle plab fcps also neet ss based on the latest pattern robbins 10th edition multiple choice questions

*pathology outlines board review style questions* - Aug 13 2023

web [pathologyoutlines.com](#) question bank please use the drop down menus below for board review style questions by chapter or subspecialty note these questions are in the style of the pathology boards for study purposes they are not intended to be actual questions from the american board of pathology click here to comment on any

**pathology examination questions for medical education webpath** - May 10 2023

web the multiple choice questions in general pathology organ system pathology clinical pathology and extended matching banks have three formats for general pathbology and organ system pathology exams with single best answer multiple choice questions click on the checkbox next to the letter for the answer

*iii haemodynamic disorders quiz nus pathweb nus pathweb* - Sep 14 2023

web scroll down to see the interactive quiz and quizzes for students by students this interactive quiz was created by a p tan kong bing department of pathology national university hospital singapore

*neoplasia quiz nus pathweb nus pathweb* - Jun 11 2023

web scroll down to see the interactive quiz and quizzes for students by students these two quizzes are created by dr justin wong department of pathology national university hospital 2

[a c wiring caddy2k.com](#) - May 17 2022

web jan 24 2021 [air conditioning system control unit left engine compartment j382 1av injection system control unit n25 air conditioning system magnetic coupling 01270](#)

**vw caddy ac blowing hot air causes and how to fix it** - Dec 12 2021

*volkswagen caddy ac not cooling why and how to fix* - Nov 22 2022

web jan 24 2021 wiring diagram vw caddy 2017 climatronic control unit air conditioner compressor regulating valve j255 climatronic control unit n280 air conditioner

*volkswagen caddy 2011 2015 wiring set for air conditioning* - Apr 15 2022

web volkswagen caddy kontak dönmüyor İçerisindeki parça kilitlendiği zaman ne yapsanız dönmez ancak içerisine oturup sinirlenmeden yarım saat ileri geri sağa sola oynadığınız

**caddy kontak arızası çözüm süreci ve vw servis macerası** - Jan 13 2022

web the wiring harness and vehicle is a crucial aspect for completing the installation which is thoroughly detailed as an all new edition of the original top selling title ls swaps how

**volkswagen caddy 2016 2017 air conditioning system with** - Jul 19 2022

web wiring set for air conditioning actuation for vehicles with semi automatic controlled a c system

*volkswagen caddy 2016 2017 wiring set for air conditioning* - Mar 15 2022

web apr 7 2022 refrigerant leak causes refrigerant leak in caddy can be caused by leaking o ring seals leaking condenser or evaporator core or a cracked hose the leak can be

**volkswagen caddy air conditioner not working causes fix** - Jun 29 2023

web jan 24 2021 wiring diagram vw caddy 2016 potentiometer for temperature flap control motor evaporator output temperature sender air conditioning system control

**volkswagen caddy wiring air conditioning rc spectrallabs** - Oct 10 2021

**vw caddy pickup 2002 air conditioning system 1av 55 kw** - Feb 11 2022

web volkswagen caddy wiring air conditioning 3 3 section is an essential textbook that offers a complete overview of marketing management and describes the steps

*volkswagen caddy 2016 2020 workshop manuals wiring* - May 29 2023

web mar 1 2022 0 00 9 06 air con not working volkswagen caddy romano s automotive 4 47k subscribers 4 2k views 1 year ago in this video we get a caddy in with air con not working we use some

*volkswagen caddy 2004 2010 workshop manuals wiring* - Oct 22 2022

web volkswagen parts catalog air conditioning system with electronic regulation wiring set for electronically regulated air conditioning spare parts catalog etka online

**vw caddy ac not cooling causes and diagnosis** - Jun 17 2022

web wiring set for air conditioning actuation for vehicles with semi automatic controlled a c system

*volkswagen caddy workshop manuals wiring diagram* - Jul 31 2023

web air conditioning systems with refrigerant r1234yf general information heating air conditioner supplementary heating body repairs general body repairs general

[volkswagen caddy 2011 2015 workshop manuals wiring](#) - Jan 25 2023

web air conditioning systems with refrigerant r134a general information heating air conditioner auxiliary heater electrical system general information electrical system

**vw caddy 2017 climatronic wiring diagrams pin** - Aug 20 2022

web mar 19 2023 good thing is it doesn't need to be a caddy could be touran or golf leon etc wiring for aircon is pretty much the same apart from maybe internal fuse box fuse

[vw caddy 2016 climatic wiring diagrams pin connector](#) - Apr 27 2023

web nov 29 2017 my volkswagen california air conditioning a/c is not working identify all the reasons which may explicate why your volkswagen caddy air conditioning ac is

**volkswagen caddy 2011 2022 workshop manuals wiring diagram** - Sep 01 2023

web volkswagen caddy 2011 2022 service and repair manual wiring diagrams engine and transmission repair diagnostic diesel engines natural gas engines error codes list

**vw caddy 2014 climatic wiring diagrams pin connector** - Sep 20 2022

web mar 29 2022 there are two ports in the air conditioning system of caddy one is labelled h for high pressure and the other one is labelled l for low pressure you can

**air con not working volkswagen caddy youtube** - Mar 27 2023

web communication general information paint for commercial vehicles air conditioning systems with refrigerant r134a general information heating air conditioner auxiliary

[my volkswagen caddy air conditioning a/c is not](#) - Feb 23 2023

web jul 29 2019 most of the time when your caddy's air isn't blowing cold enough it is going to be a lack of refrigerant causing the problem we recommend having a professional

[the official vw caddy manual instant pdf](#) - Dec 24 2022

web jan 24 2021 wiring diagram vw caddy 2014 potentiometer for temperature flap control motor evaporator output temperature sender air conditioning system control

**volkswagen caddy wiring air conditioning pdf** - Nov 10 2021

**broward county civics eoc sample questions secure4 khronos** - Jun 01 2022

web broward county 7th grade civics eoc exam cerrum de broward county 7th grade civics eoc exam kopcak de broward

county 7th grade civics eoc exam amalou de mj civics end of course practice exam broward county 7th grade civics eoc exam opense de broward county 7th grade civics eoc exam moroda de broward

**broward county civics eoc sample questions secure4 khronos** - Mar 30 2022

web jun 1 2023 broward county 7th grade civics eoc exam volume two hegel marx karl popper embedded systems interview questions and answers sample data analysis excel interview

**free broward county 7th grade civics eoc exam** - Jul 02 2022

web broward county 7th grade civics eoc exam middle school civics free classroom materials scholastic may 24 2022 web an overview of civics what it means to be a good citizen how democracy works and why staying informed and engaged matters even as kids featured teaching kits teacher approved stories resources

**7th grade civics eoc review flashcards quizlet** - Mar 10 2023

web connection cards terms from louise ball marie dirito from broward county social studies department learn with flashcards games and more for free

*7th grade civics eoc full review flashcards quizlet* - Feb 09 2023

web this is a review for the 7th grade civics eoc review for the state of florida if you pass this sample test on quizlet you will probably pass the eoc fresh features from the 1 ai enhanced learning platform

**statewide assessments home page** - Jan 08 2023

web welcome to florida s assessment portal your source for information about benchmarks for excellent student thinking b e s t eoc and writing assessments next generation sunshine state standards ngsss assessments the florida civic literacy exam and florida standards assessments fsa

**2021 22 florida statewide end of course assessments fact sheet** - Jun 13 2023

web this fact sheet provides information about the algebra 1 and geometry eoc assessments that measure student achievement of the florida standards and the civics biology 1 and u s history eoc assessments that measure student achievement of the next generation sunshine state standards ngsss as outlined in their course descriptions

civics end of course assessment practice test questions - May 12 2023

web civics eoc practice test questions page 7 go on 5 the poster below was created in 1917 which type of communication is shown in this poster a accurate b biased c informational d propagandized 100000491951 4 source public domain library of congress go on civics eoc practice test questions

**civics eoc drma social studies** - Dec 07 2022

web the civics end of course exam is a mandatory state assessment for all 7th and 8th graders taking civics the test is 55 58 multiple choice questions taken from the standards and benchmark goals throughout the school year

*broward county 7th grade civics eoc exam download only - Apr 30 2022*

web it will agreed ease you to look guide broward county 7th grade civics eoc exam as you such as by searching the title publisher or authors of guide you in point of fact want you can discover them rapidly in the house workplace or perhaps in your method can be all best place within net connections if you target to download and install the

*florida statewide assessment program 2022 2023 schedule - Aug 03 2022*

web test psat nmsqt november 7 december 16 2022 april 17 may 26 2023 florida civic literacy exam october december 2022 national assessment of educational progress naep age 13 long term trend january 23 march 17 2023 access for ellis alternate access for ellis march april 2023 act or sat districts select either act

*testing spring 2021 eocs winston park elementary - Jul 14 2023*

web apr 9 2021 civics typically taken in grade 7 for middle school course completion students enrolled in middle school civics course this is typically grade 7 in bcps eoc score is 30 of final grade for the course algebra students enrolled in high school algebra 1 course this course is typically taken between grades 6 and 12 in bcps

**end of course eoc assessments florida department of education - Aug 15 2023**

web the fsa geometry eoc assessment was administered for the final time in fall 2022 the science and social studies ngsss eoc assessments biology 1 civics and u s history will continue to be administered for students completing applicable courses about the assessments fast mathematics and b e s t eocs test design summary and

[broward college admission requirements sat act gpa and](#) - Dec 27 2021

web broward college is an open admission policy institution open admission colleges typically have few admission thresholds and will admit all applicants so long as certain minimum requirements are met new admission is often granted continually throughout the year please consult broward college directly to learn the specifics of its open

*state releases 2022 assessment results for science and social - Oct 05 2022*

web the 2022 results show broward county public schools bcps increased the percentage of students scoring at or above achievement level 3 in all five tested areas as compared to the prior year civics eoc performance increased by 10 percentage points and u s history eoc performance increased by seven percentage points

*florida eoc civics end of course assessment sample questions - Apr 11 2023*

web the civics eoc assessment and sample questions and answers are based on the 2007 next generation sunshine state standards the regular print paper based accommodation sample questions and the sample answers are only available online at fldoe.org accountability assessments k 12 student assessment end of

*broward county public schools homepage - Sep 04 2022*

web broward county public schools homepage

**end of course exams flvs** - Nov 06 2022

web biology 1 u s history civics eoc exams are optional for home education students if you are a student of flvs full time public school please view full time assessment information here

**broward community schools lifelong learning and adult** - Jan 28 2022

web wed 5 30pm 8 30pm thu 5 30pm 8 30pm tequesta trace community school adult students will be instructed on the four techniques of clay pinch slab coil and wheel throwing for the beginners to the advance students there will be exciting groups projects and opportunity for personal design

**broward early childhood education conference** - Feb 26 2022

web early learning coalition of broward county address 1475 w cypress creek rd suite 301 fort lauderdale fl 33309 hours of operation main office lobby monday friday 8 am 5 pm customer service line 954 377 2188 monday friday 8 am 6 pm for ccr r family services provider services