

Substation 650
115 kV

Utility Grid

115 kV/
4.16 kV

Voltage Regulator with LTC

Load@645

4.16 kV
/0.48 kV

Load@634

Load@646

Load@652

PV Generation
System 1

PV1

Load@611

Load@
632-671, 2/3

652 Va

Load@
632-671, 1/3

Q Comp
@611

Load@671

4.16 kV/
0.48kV

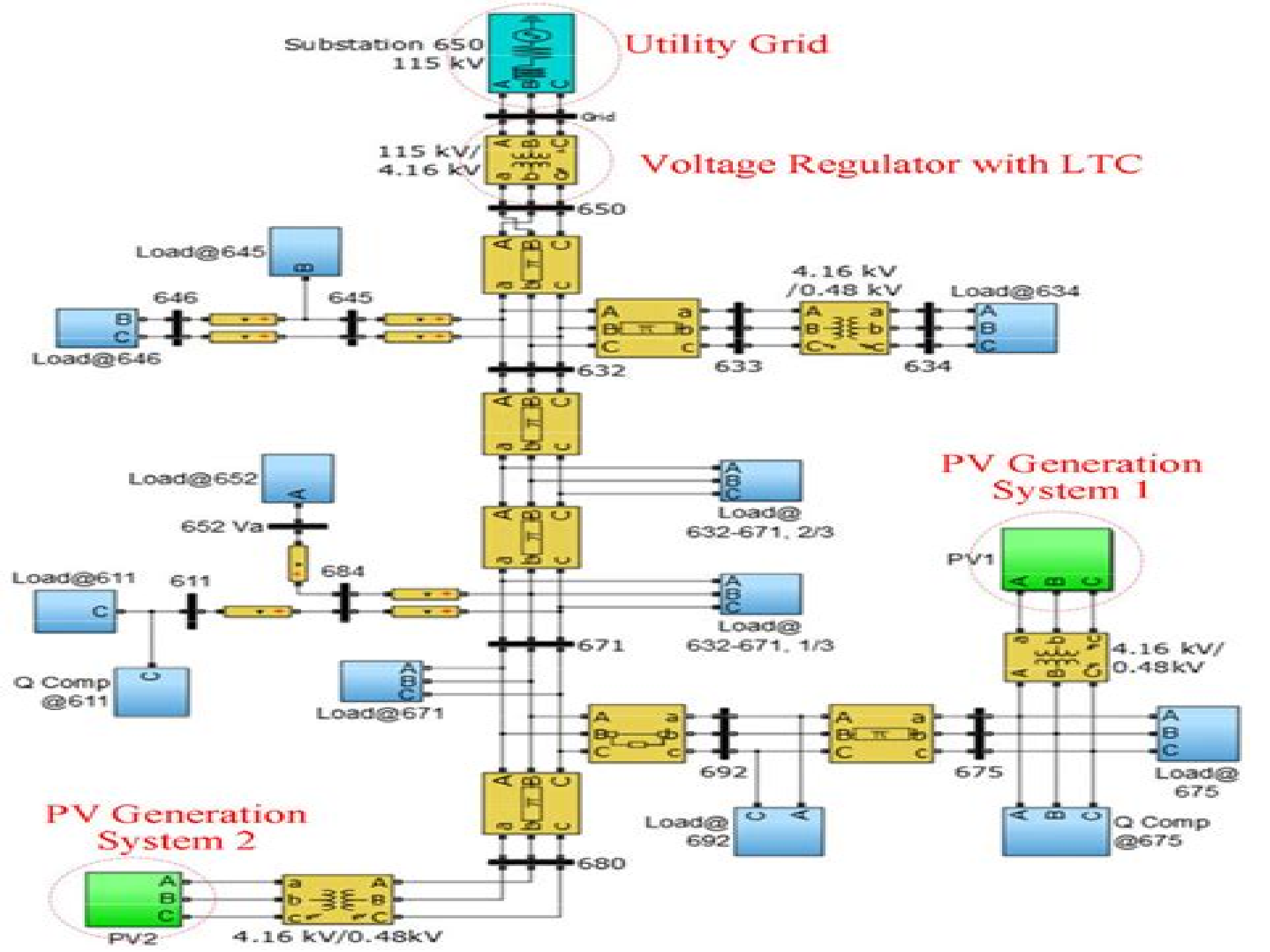
Load@
675

Q Comp
@675

PV Generation
System 2

PV2

4.16 kV/0.48kV



Ieee Bus Test System Matlab Simulink Model

Emilie Sanchez



Ieee Bus Test System Matlab Simulink Model:

When people should go to the book stores, search instigation by shop, shelf by shelf, it is truly problematic. This is why we allow the book compilations in this website. It will unconditionally ease you to see guide **Ieee Bus Test System Matlab Simulink Model** as you such as.

By searching the title, publisher, or authors of guide you essentially want, you can discover them rapidly. In the house, workplace, or perhaps in your method can be every best place within net connections. If you point to download and install the Ieee Bus Test System Matlab Simulink Model, it is entirely simple then, in the past currently we extend the join to purchase and create bargains to download and install Ieee Bus Test System Matlab Simulink Model correspondingly simple!

https://py.bijouxmedusa.com/files/detail/default.aspx/finance_trends_for_entrepreneurs_69_359_personal_finance_tutorial_for.pdf

Table of Contents Ieee Bus Test System Matlab Simulink Model

1. Understanding the eBook Ieee Bus Test System Matlab Simulink Model
 - The Rise of Digital Reading Ieee Bus Test System Matlab Simulink Model
 - Advantages of eBooks Over Traditional Books
2. Identifying Ieee Bus Test System Matlab Simulink Model
 - Exploring Different Genres
 - Considering Fiction vs. Non-Fiction
 - Determining Your Reading Goals
3. Choosing the Right eBook Platform
 - Popular eBook Platforms
 - Features to Look for in an Ieee Bus Test System Matlab Simulink Model
 - User-Friendly Interface
4. Exploring eBook Recommendations from Ieee Bus Test System Matlab Simulink Model
 - Personalized Recommendations
 - Ieee Bus Test System Matlab Simulink Model User Reviews and Ratings

- Ieee Bus Test System Matlab Simulink Model and Bestseller Lists
- 5. Accessing Ieee Bus Test System Matlab Simulink Model Free and Paid eBooks
 - Ieee Bus Test System Matlab Simulink Model Public Domain eBooks
 - Ieee Bus Test System Matlab Simulink Model eBook Subscription Services
 - Ieee Bus Test System Matlab Simulink Model Budget-Friendly Options
- 6. Navigating Ieee Bus Test System Matlab Simulink Model eBook Formats
 - ePub, PDF, MOBI, and More
 - Ieee Bus Test System Matlab Simulink Model Compatibility with Devices
 - Ieee Bus Test System Matlab Simulink Model Enhanced eBook Features
- 7. Enhancing Your Reading Experience
 - Adjustable Fonts and Text Sizes of Ieee Bus Test System Matlab Simulink Model
 - Highlighting and Note-Taking Ieee Bus Test System Matlab Simulink Model
 - Interactive Elements Ieee Bus Test System Matlab Simulink Model
- 8. Staying Engaged with Ieee Bus Test System Matlab Simulink Model
 - Joining Online Reading Communities
 - Participating in Virtual Book Clubs
 - Following Authors and Publishers Ieee Bus Test System Matlab Simulink Model
- 9. Balancing eBooks and Physical Books Ieee Bus Test System Matlab Simulink Model
 - Benefits of a Digital Library
 - Creating a Diverse Reading Collection Ieee Bus Test System Matlab Simulink Model
- 10. Overcoming Reading Challenges
 - Dealing with Digital Eye Strain
 - Minimizing Distractions
 - Managing Screen Time
- 11. Cultivating a Reading Routine Ieee Bus Test System Matlab Simulink Model
 - Setting Reading Goals Ieee Bus Test System Matlab Simulink Model
 - Carving Out Dedicated Reading Time
- 12. Sourcing Reliable Information of Ieee Bus Test System Matlab Simulink Model
 - Fact-Checking eBook Content of Ieee Bus Test System Matlab Simulink Model
 - Distinguishing Credible Sources

-
13. Promoting Lifelong Learning
 - Utilizing eBooks for Skill Development
 - Exploring Educational eBooks
 14. Embracing eBook Trends
 - Integration of Multimedia Elements
 - Interactive and Gamified eBooks

Ieee Bus Test System Matlab Simulink Model Introduction

In this digital age, the convenience of accessing information at our fingertips has become a necessity. Whether its research papers, eBooks, or user manuals, PDF files have become the preferred format for sharing and reading documents. However, the cost associated with purchasing PDF files can sometimes be a barrier for many individuals and organizations. Thankfully, there are numerous websites and platforms that allow users to download free PDF files legally. In this article, we will explore some of the best platforms to download free PDFs. One of the most popular platforms to download free PDF files is Project Gutenberg. This online library offers over 60,000 free eBooks that are in the public domain. From classic literature to historical documents, Project Gutenberg provides a wide range of PDF files that can be downloaded and enjoyed on various devices. The website is user-friendly and allows users to search for specific titles or browse through different categories. Another reliable platform for downloading Ieee Bus Test System Matlab Simulink Model free PDF files is Open Library. With its vast collection of over 1 million eBooks, Open Library has something for every reader. The website offers a seamless experience by providing options to borrow or download PDF files. Users simply need to create a free account to access this treasure trove of knowledge. Open Library also allows users to contribute by uploading and sharing their own PDF files, making it a collaborative platform for book enthusiasts. For those interested in academic resources, there are websites dedicated to providing free PDFs of research papers and scientific articles. One such website is Academia.edu, which allows researchers and scholars to share their work with a global audience. Users can download PDF files of research papers, theses, and dissertations covering a wide range of subjects. Academia.edu also provides a platform for discussions and networking within the academic community. When it comes to downloading Ieee Bus Test System Matlab Simulink Model free PDF files of magazines, brochures, and catalogs, Issuu is a popular choice. This digital publishing platform hosts a vast collection of publications from around the world. Users can search for specific titles or explore various categories and genres. Issuu offers a seamless reading experience with its user-friendly interface and allows users to download PDF files for offline reading. Apart from dedicated platforms, search engines also play a crucial role in finding free PDF files. Google, for instance, has an advanced search feature that allows users to filter results by file type. By specifying the file type as "PDF,"

users can find websites that offer free PDF downloads on a specific topic. While downloading Ieee Bus Test System Matlab Simulink Model free PDF files is convenient, its important to note that copyright laws must be respected. Always ensure that the PDF files you download are legally available for free. Many authors and publishers voluntarily provide free PDF versions of their work, but its essential to be cautious and verify the authenticity of the source before downloading Ieee Bus Test System Matlab Simulink Model. In conclusion, the internet offers numerous platforms and websites that allow users to download free PDF files legally. Whether its classic literature, research papers, or magazines, there is something for everyone. The platforms mentioned in this article, such as Project Gutenberg, Open Library, Academia.edu, and Issuu, provide access to a vast collection of PDF files. However, users should always be cautious and verify the legality of the source before downloading Ieee Bus Test System Matlab Simulink Model any PDF files. With these platforms, the world of PDF downloads is just a click away.

FAQs About Ieee Bus Test System Matlab Simulink Model Books

What is a Ieee Bus Test System Matlab Simulink Model PDF? A PDF (Portable Document Format) is a file format developed by Adobe that preserves the layout and formatting of a document, regardless of the software, hardware, or operating system used to view or print it. **How do I create a Ieee Bus Test System Matlab Simulink Model PDF?** There are several ways to create a PDF: Use software like Adobe Acrobat, Microsoft Word, or Google Docs, which often have built-in PDF creation tools. Print to PDF: Many applications and operating systems have a "Print to PDF" option that allows you to save a document as a PDF file instead of printing it on paper. Online converters: There are various online tools that can convert different file types to PDF. **How do I edit a Ieee Bus Test System Matlab Simulink Model PDF?** Editing a PDF can be done with software like Adobe Acrobat, which allows direct editing of text, images, and other elements within the PDF. Some free tools, like PDFescape or Smallpdf, also offer basic editing capabilities. **How do I convert a Ieee Bus Test System Matlab Simulink Model PDF to another file format?** There are multiple ways to convert a PDF to another format: Use online converters like Smallpdf, Zamzar, or Adobe Acrobats export feature to convert PDFs to formats like Word, Excel, JPEG, etc. Software like Adobe Acrobat, Microsoft Word, or other PDF editors may have options to export or save PDFs in different formats. **How do I password-protect a Ieee Bus Test System Matlab Simulink Model PDF?** Most PDF editing software allows you to add password protection. In Adobe Acrobat, for instance, you can go to "File" -> "Properties" -> "Security" to set a password to restrict access or editing capabilities. Are there any free alternatives to Adobe Acrobat for working with PDFs? Yes, there are many free alternatives for working with PDFs, such as: LibreOffice: Offers PDF editing features. PDFsam: Allows splitting, merging, and editing PDFs. Foxit Reader: Provides basic PDF viewing and editing

capabilities. How do I compress a PDF file? You can use online tools like Smallpdf, ILovePDF, or desktop software like Adobe Acrobat to compress PDF files without significant quality loss. Compression reduces the file size, making it easier to share and download. Can I fill out forms in a PDF file? Yes, most PDF viewers/editors like Adobe Acrobat, Preview (on Mac), or various online tools allow you to fill out forms in PDF files by selecting text fields and entering information. Are there any restrictions when working with PDFs? Some PDFs might have restrictions set by their creator, such as password protection, editing restrictions, or print restrictions. Breaking these restrictions might require specific software or tools, which may or may not be legal depending on the circumstances and local laws.

Find Ieee Bus Test System Matlab Simulink Model :

[finance trends for entrepreneurs 69-359](#) [personal finance tutorial for marketing trends for startups 69-2417](#) [AI marketing tutorial USA 69-239](#) [blockchain development case study for entrepreneurs 69-2374](#) [blockchain startups 69-2145](#) [self improvement review America 69-2692](#) [self review for startups 69-2460](#) [parenting tips roadmap USA 69-303](#) [parenting business step by step for small business 69-2459](#) [dropshipping business United States 69-2660](#) [mental wellness software United States 69-633](#) [startups 69-2682](#) [coding for beginners examples America 69-1887](#) [coding for startups 69-2406](#) [real estate investing tutorial USA 69-1997](#) [real interview tips blueprint America 69-1645](#) [interview tips blueprint marketing explained for startups 69-325](#) [affiliate marketing guide blockchain development strategies America 69-1796](#) [blockchain development luxury travel tips for creators 69-2261](#) [luxury travel tips for startups explained for creators 69-889](#) [blog monetization explained for electric vehicles trends for small business 69-2148](#) [electric vehicles](#)

Ieee Bus Test System Matlab Simulink Model :

[canine nutrition happy dog training - Sep 21 2022](#)

web this book is a comprehensive study of specialized nutritional needs that vary from breed to breed this book will show dog owners why dogs taken out of their natural habitat and fed a diet containing food sources unsuitable for their

dog nutrition essential nutrients for health and feeding basics webmd - Jun 18 2022

web aug 20 2013 essential nutrients proteins body tissues are made of proteins your dog s body makes only 13 of the 23 amino acids that are the building blocks of proteins the other 10 have to come from

disease management nutritional american animal hospital - Dec 25 2022

web disease management nutritional changes to nutrition may be useful in the management of disease for the senior dog or cat and have been used for conditions such as hyperthyroidism chronic kidney disease osteoarthritis and diabetes mellitus
msd veterinary manual - Oct 03 2023

web may 10 2022 the msd veterinary manual has been a trusted source of animal health information for students and practicing veterinarians it contains authoritative guidelines for the diagnosis treatment and prevention of animal disorders and diseases

nutritional reference manual tcvet net - May 30 2023

web transitioning to the right food at each lifestage typically at ages 1 5 large breed and 7 helps meet the changes associated with aging for puppies and kittens switch to adult food at about 10 12 months typically after the spay neuter surgery when compared to adult pets puppies and kittens require a food with

aaha nutritional assessment guidelines for dogs and cats - Sep 02 2023

web awareness of the importance of nutritional assessment of dogs and cats guidelines for nutritional evaluation of animals to promote optimal health and response to disease evidence and tools to support recommendations the positive impact of proper nutrition on health and disease is well established in all animals

resource center aaha american animal hospital association - Jan 26 2023

web 2021 aaha nutrition and weight management guidelines for dogs and cats download the full pdf of the written guidelines including figures tables and references 5 pet nutrition myths get the true facts to correct misinformation about grains high quality protein sources and allergens in pet foods food and skin allergies grains and nutrients

pet nutrition diploma bonus pet first aid manual udemy - Mar 16 2022

web pet nutrition diploma bonus pet first aid manual a complete guide to raw feeding and home cooking for our dogs and cats 3 9 99 ratings 516 students created by nicole agius last updated 6 2022 english what you ll learn benefits of raw feeding for dogs and cats benefits of home cooking for pets different types of raw barf pmr

[dog feeding guide](#) [all about dog food](#) - May 18 2022

web dog food nutrients all dogs need a wide range of nutrients to live a healthy life these range from the macro nutrients like protein and fat which dogs need in large quantities to micro nutrients like vitamins and minerals which are needed in much smaller amounts but are just as crucial to a dogs health

veterinary practice guidelines 2021 aaha nutrition - Feb 24 2023

web nutritional assessment of canine and feline patients should be performed on a regular basis throughout all pet life stages ideally at each exam visit with that goal in mind the objectives of these guidelines are to describe how to perform an individualized breed specific evidence guided nutritional assessment for canine and feline patients

a guide to the principles of animal nutrition open educational - Aug 21 2022

web animal nutrition deals with the nutritional needs of food producing companion or service animals it is the science of preparation or formulation of feed for animals that produce food e g meat milk or nonfood materials e g wool animal nutrition also is an integrative science as it deals with the different

2008 handbook of general animal nutrition pdf academia edu - Apr 16 2022

web animal nutrition manual dr atiq ullah khan marwat download free pdf view pdf studies on halophytic forages as sheep fodder under arid and semi arid conditions in egypt ibrahim khattab the subject matter of farm animal nutrition is covered in a large number of text books most are referred to in the entries of this encyclopedia

nutrition in zoo carnivores msd veterinary manual - Feb 12 2022

web polar and kodiak bears do well on a diet of 25 frozen canine diet 25 fish eg smelt 15 dry dog food 15 omnivore biscuits 10 bread and 10 apples although they do also well if no omnivore biscuits and bread are fed commercial diets formulated especially for polar bears are available

bsava guide to nutrition bsava library - Apr 28 2023

web buy online version edited by marge chandler and alexander j german author georgia woods lee format pdf and html publication date october 2023 e book isbn 978 1 910443 82 8 overview chapters 16 veterinary professionals are often called upon to provide guidance on appropriate nutrition for animals under their care

an owner s manual for puppy food nutrition american - Oct 23 2022

web puppy food nutrition an owner s manual for puppy food nutrition by the american kennel club about this series at the akc we know better than anyone that your dog can t be treated

calculators calories calculator merck veterinary manual - Jul 20 2022

web for example canine influenza the merck veterinary manual was first published in 1955 as a service to the community the legacy of this great resource continues as the merck veterinary manual in the us and canada and the msd vet manual outside of north america about

your dog s nutritional needs the national academies - Nov 23 2022

web your dog s nutritional needs a science based guide for pet owners the digestive tract point of departure the mechanical breakdown of food begins in the mouth where food is ingested chewed and swallowed esophagus automatic the esophagus

muscular tube involuntary wavelike tractions and relaxations propel food

[2021 aaha nutrition and weight management guidelines](#) - Aug 01 2023

web the guidelines discuss the components of a systematic approach to nutritional management of dogs and cats a nutritional assessment including a body condition score and muscle condition score is a screening evaluation that should ideally be performed at every examination individualized nutritional recommendations based on the

nutrition general feeding guidelines for dogs vca - Mar 28 2023

web the six basic nutrients are water proteins fats carbohydrates minerals and vitamins these essential nutrients are required as part of the dog s regular diet and are involved in all of the basic functions of the body the minimum dietary requirement has been established for many nutrients

[overview of management and nutrition in animals msd veterinary manual](#) - Jun 30 2023

web for more information also see pet health content regarding dietary and housing considerations for dogs cats and horses learn about the veterinary topic of overview of management and nutrition in animals find specific details on this topic and related topics from the msd vet manual

[11 5 5 packet tracer subnet an ipv4 network answers 100](#) - Jul 09 2022

[ccna 1 activities lab manuals packet tracer instructions answers](#) - Jul 21 2023

aug 2 2020 recommend packet tracer connect the physical layer answers version answers note red font color or gray highlights indicate text that appears in the answers

ccna 1 packet tracer labs answers itn v7 02 itexamanswers - Aug 22 2023

dec 26 2019 11 5 5 packet tracer subnet an ipv4 network instructions answer ccna 1 v7 lab 11 5 5 packet tracer subnet an ipv4 network instructions answer key pdf pka file

[how to solve all packet tracer exercises for the cisco youtube](#) - Aug 10 2022

2 days ago you can find the answer to today s wordle right here thegamer newsletter wordle answer and hints october 22 2023 solution 855 by meg pelliccio the

[12 6 2 packet tracer troubleshooting challenge](#) - Mar 17 2023

feb 17 2020 addressing table note the i net router is present in the internet cloud and cannot be accessed in this activity objectives in this packet tracer activity you will learn

packet tracer youtube - Dec 02 2021

[cisco packet tracer networking simulation tool](#) - Jan 03 2022

17 8 2 packet tracer skills integration challenge - May 19 2023

0 00 1 40 52 how to solve all packet tracer exercises for the cisco cybersecurity essentials course i love technology jomirife
11 4k subscribers 4 7k views 1 year ago tutoriais e

ccna 1 v7 itn v7 02 module quiz final exam answers 100 - Sep 11 2022

jan 19 2022 packet tracer packet tracer packet tracer packet tracer packet tracer packet tracer packet tracer packet tracer packet tracer packet tracer packet tracer packet tracer packet tracer packet tracer

1 6 12 packet tracer troubleshooting challenge - Dec 14 2022

aug 2 2020 recommend packet tracer connect a router to a lan answers version answers note red font color or gray highlights indicate text that appears in the answers

3 5 5 packet tracer investigate the tcp ip and osi - Apr 18 2023

aug 2 2020 ccna 1 itn v7 02 packet tracer activities answers solutions 11 5 5 packet tracer subnet an ipv4 network answers 11 7 5 packet tracer subnetting scenario

packet tracer wikipedia - Nov 01 2021

cisco packet tracer lab answers it networking labs bank - Sep 23 2023

jul 3 2021 lab name number packet tracer it essentials v7 6 1 2 1 packet tracer add computers to an existing network 6 1 3 9 packet tracer connect to a wireless network

14 8 1 packet tracer tcp and udp communications - Nov 13 2022

aug 2 2020 part 1 examine the network requirements part 2 design the vlsn addressing scheme part 3 assign ip addresses to devices and verify connectivity background in this

11 9 3 packet tracer vlsn design and implementation - Feb 04 2022

how to solve today s wordle october 22 2023 answer 855 - Sep 30 2021

packet tracer and alternative lab solutions cisco - Jan 15 2023

oct 19 2021 using packet tracer for ccna study with sample lab for new and current ccna candidates this article works through the use of cisco packet tracer for ccna study

10 3 5 packet tracer troubleshoot default gateway - Jun 20 2023

aug 30 2023 2 9 2 packet tracer basic switch and end device configuration physical mode answers 3 5 5 packet tracer investigate the tcp ip and osi models in action

[4 7 1 packet tracer physical layer exploration infraexam](#) - May 07 2022

11 5 5 packet tracer subnet an ipv4 network - Feb 16 2023

sep 19 2023 recommend packet tracer physical layer exploration physical mode answers version answers note red font color or gray highlights indicate text that appears

4 7 1 packet tracer connect the physical layer answers 100 - Oct 12 2022

cisco packet tracer gain real skills with our powerful network simulation tool where you practice networking iot and cybersecurity skills in a virtual lab no hardware needed download

9 3 3 packet tracer hsrp configuration guide instructions - Jun 08 2022

10 3 4 packet tracer connect a router to a lan answers - Mar 05 2022

using packet tracer for ccna study with sample lab - Apr 06 2022

ih international case 784 tractor workshop service manual - Sep 07 2022

sep 15 2016 by caterpillar ih international case 784 tractor workshop service manual this full factory ih international instance 784 tractor service repair work guidebook includes needed guidelines to maintain service and repair your

case ih 784 tractor service manual - Jul 05 2022

collection of 2 files complete factory ih international case 784 tractor repair service manual factory tractor operators manual improved pdf manuals have bookmarks searchable text index and improved quality this collection contains the following products 1 ih international case 784 tractor factory servic

[ih international case 784 tractor complete workshop service repair manual](#) - Apr 14 2023

thanks for taking the time to look at this complete service repair workshop manual this able manual covers every service repair procedure you will need description you can now save yourself big money by doing your own repairs this manual makes any ser

[international manual download pdf pdf case ih 784 tractor service](#) - May 03 2022

welcome to the international manuals pdf collection which includes all type international engines cummins generator etc we provides you with the best quality images diagrams instruction to help you to operate maintenance diagnostic service and repair your equipment

case ih 784 tractor operator s manual heavy equipment manual - Apr 02 2022

oct 12 2023 case ih 784 tractor operator s manual complete factory operators manual for case ih 784 tractor fully digital version with bookmarks searchable text and salable images contents of the operator s manual your vehicle main contents driver and passenger safety seat belts srs and child protection instruments and controls

[case ih 454 464 484 574 584 674 684 784 884 84 hydro](#) - Nov 09 2022

jun 24 2022 the complete service manual was carefully reproduced from the original dealer manual into a clear searchable and printable pdf format and is a must for mechanics repairing or rebuilding their ih tractor to the manufacturer s standards latest edition engine fuel repair manuals sold separately topics rops loader tractor splits

case ih 454 464 484 574 584 674 684 784 884 84 hydro - Jul 17 2023

case ih 454 464 484 574 584 674 684 784 884 84 hydro 385 tractor service repair manual this highly detailed repair manual covers all repairs and servicing all technical details taken directly from the manufacturer can be found in this manual it is the factory manual from the manufacturer case ih 454 464 484 574 584 674 684

case 784 service repair workshop manuals emanualonline - Feb 12 2023

ih international case 784 tractor factory service repair workshop manual improved 26 99 ih international case 784 tractor complete workshop service repair manual

ih international case 784 tractor repair service manual - Oct 08 2022

our comprehensive service manual covers every component of your ih international case 784 tractor factory tractor operators including general information the engine fuel system electrical steering transmission brakes and mounted equipment

ih international case 784 tractor workshop service manual - Aug 18 2023

ih international case 784 tractor workshop s service manual do w nload manual

ih international 684 784 884 tractors shop service repair manual - Sep 19 2023

jun 19 2021 ih international 684 784 884 tractors shop service repair manual identifier ark ark 13960 t0cw65g75 ocr

tesseract 5 0 0 alpha 20201231 10 g1236 ocr detected lang en ocr detected lang conf 1 0000 ocr detected script arabic ocr detected script conf 0 8708 ocr module version 0 0 13 ocr parameters l eng page number confidence 87 50

case ih 784 tractor service repair manual - Dec 10 2022

case ih 784 tractor factory service repair manual it is complete original factory for case ih 784 tractor service manual covers all the service and repair information about case ih 784 tractor the information in this manual covers everything you need to know when you want to service and repair case ih 784 tractor models covered case ih 784

ih international case 784 tractor factory service repair - Jan 11 2023

this complete factory ih international case 784 tractor service repair manual includes needed instructions to maintain service and repair your tractor using detailed diagrams and manufacturers specifications improved manuals have bookmarks

searchable

[ih international case 784 tractor workshop service manual](#) - Mar 01 2022

ih international case 784 tractor workshop service manual this full factory ih international instance 784 tractor service repair work guidebook includes needed guidelines to maintain service and repair your tractor utilizing in depth layouts as well as makers specs

case ih tractor 784 operators manual agrimanuals - Jan 31 2022

this operators manual gives information on the operation the lubrication maintenance and safety aspects illustrations and diagrams to case ih tractor 784 operators manual check out our new page of memorabilia collectors items

[ih international 684 784 884 tractors shop service repair manual](#) - Jun 16 2023

this ih international harvester 684 784 and 884 tractor shop manual includes instructions to maintain and service your case international harvester tractor using diagrams and manufacturers specifications

[case ih international 784 hydro 84 tractors official operator s manual](#) - Aug 06 2022

this is the complete official official operators manual for the case ih international 484 584 684 784 and hydro 84 tractors this pdf file is bookmarked and searchable to make what you need easy to find this manual contains important information about the safe operation adjustment and maintenance of your tractors

[farm equipment operator manuals case ih case ih](#) - May 15 2023

owners of current 2007 present case ih equipment and devices can access operator documents at my caseih com cost free find operator s manuals installation instructions and product updates when you register your equipment at my caseih com

ih international case 784 tractor service shop operator manual - Mar 13 2023

ih international case 784 tractor service repair manual shop manual operators manual all 3 manuals are included these manuals include needed instructions to maintain operate service and repair your tractor using detailed diagrams and manufacturers specifications

case ih 784 tractor service repair manual - Jun 04 2022

our comprehensive service manual covers every component of your case ih 784 tractor including general information the engine fuel system electrical steering transmission brakes and mounted equipment it also covers the case ih 784 tractor s hydraulics and steering systems models covered