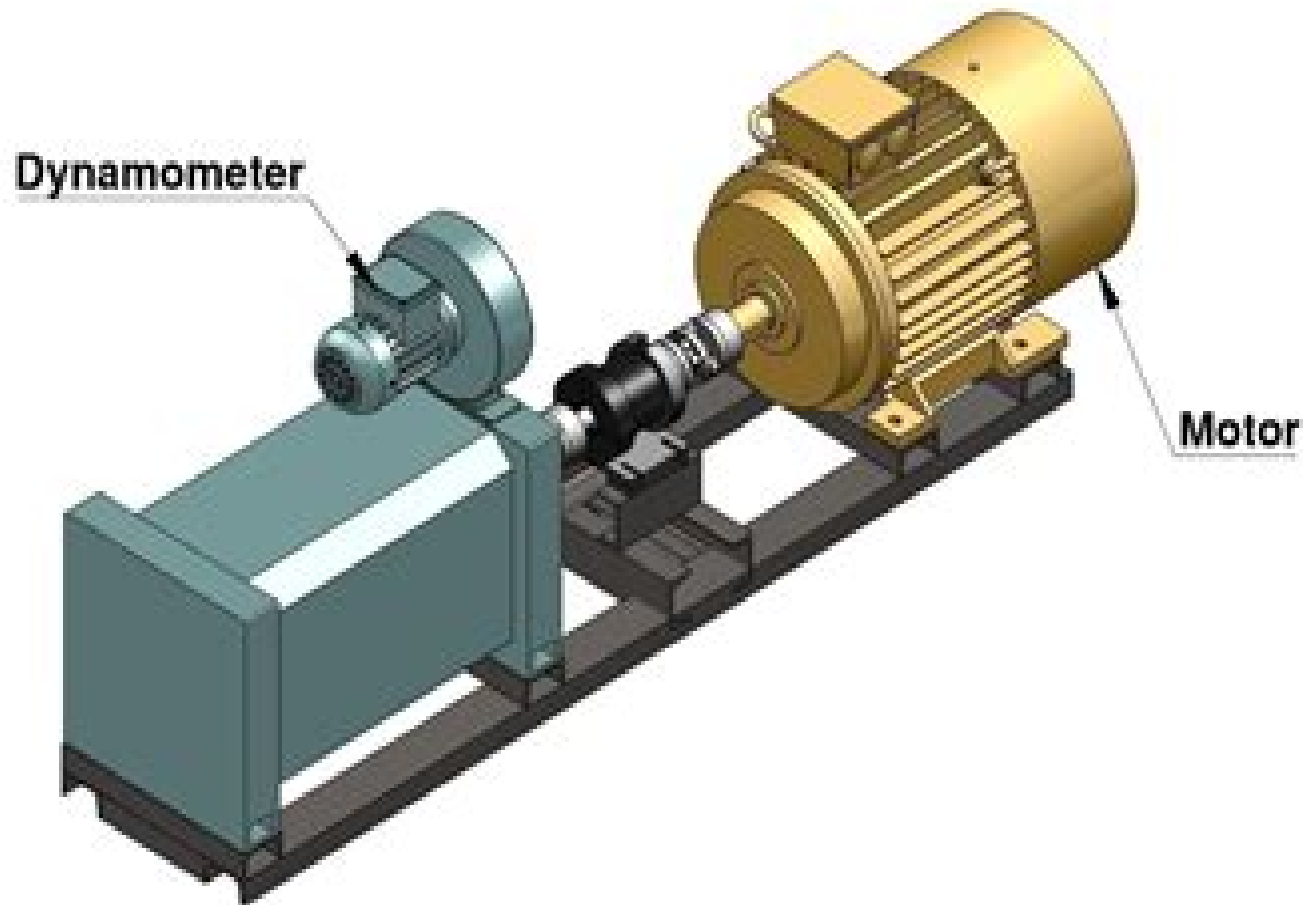


Electric Motor Testing Dynamometer



Engine Testing Dynamometer

C Cleary



Engine Testing Dynamometer:

Uncover the mysteries within Crafted by is enigmatic creation, Embark on a Mystery with **Engine Testing Dynamometer** . This downloadable ebook, shrouded in suspense, is available in a PDF format (*). Dive into a world of uncertainty and anticipation. Download now to unravel the secrets hidden within the pages.

<https://py.bijouxmedusa.com/book/browse/Documents/The%20Invisible%20Man%20Character%20Sketch%20Of%20All%20Characters.pdf>

Table of Contents Engine Testing Dynamometer

1. Understanding the eBook Engine Testing Dynamometer
 - The Rise of Digital Reading Engine Testing Dynamometer
 - Advantages of eBooks Over Traditional Books
2. Identifying Engine Testing Dynamometer
 - Exploring Different Genres
 - Considering Fiction vs. Non-Fiction
 - Determining Your Reading Goals
3. Choosing the Right eBook Platform
 - Popular eBook Platforms
 - Features to Look for in an Engine Testing Dynamometer
 - User-Friendly Interface
4. Exploring eBook Recommendations from Engine Testing Dynamometer
 - Personalized Recommendations
 - Engine Testing Dynamometer User Reviews and Ratings
 - Engine Testing Dynamometer and Bestseller Lists
5. Accessing Engine Testing Dynamometer Free and Paid eBooks
 - Engine Testing Dynamometer Public Domain eBooks
 - Engine Testing Dynamometer eBook Subscription Services
 - Engine Testing Dynamometer Budget-Friendly Options

6. Navigating Engine Testing Dynamometer eBook Formats
 - ePub, PDF, MOBI, and More
 - Engine Testing Dynamometer Compatibility with Devices
 - Engine Testing Dynamometer Enhanced eBook Features
7. Enhancing Your Reading Experience
 - Adjustable Fonts and Text Sizes of Engine Testing Dynamometer
 - Highlighting and Note-Taking Engine Testing Dynamometer
 - Interactive Elements Engine Testing Dynamometer
8. Staying Engaged with Engine Testing Dynamometer
 - Joining Online Reading Communities
 - Participating in Virtual Book Clubs
 - Following Authors and Publishers Engine Testing Dynamometer
9. Balancing eBooks and Physical Books Engine Testing Dynamometer
 - Benefits of a Digital Library
 - Creating a Diverse Reading Collection Engine Testing Dynamometer
10. Overcoming Reading Challenges
 - Dealing with Digital Eye Strain
 - Minimizing Distractions
 - Managing Screen Time
11. Cultivating a Reading Routine Engine Testing Dynamometer
 - Setting Reading Goals Engine Testing Dynamometer
 - Carving Out Dedicated Reading Time
12. Sourcing Reliable Information of Engine Testing Dynamometer
 - Fact-Checking eBook Content of Engine Testing Dynamometer
 - Distinguishing Credible Sources
13. Promoting Lifelong Learning
 - Utilizing eBooks for Skill Development
 - Exploring Educational eBooks
14. Embracing eBook Trends
 - Integration of Multimedia Elements

- Interactive and Gamified eBooks

Engine Testing Dynamometer Introduction

In this digital age, the convenience of accessing information at our fingertips has become a necessity. Whether its research papers, eBooks, or user manuals, PDF files have become the preferred format for sharing and reading documents. However, the cost associated with purchasing PDF files can sometimes be a barrier for many individuals and organizations. Thankfully, there are numerous websites and platforms that allow users to download free PDF files legally. In this article, we will explore some of the best platforms to download free PDFs. One of the most popular platforms to download free PDF files is Project Gutenberg. This online library offers over 60,000 free eBooks that are in the public domain. From classic literature to historical documents, Project Gutenberg provides a wide range of PDF files that can be downloaded and enjoyed on various devices. The website is user-friendly and allows users to search for specific titles or browse through different categories. Another reliable platform for downloading Engine Testing Dynamometer free PDF files is Open Library. With its vast collection of over 1 million eBooks, Open Library has something for every reader. The website offers a seamless experience by providing options to borrow or download PDF files. Users simply need to create a free account to access this treasure trove of knowledge. Open Library also allows users to contribute by uploading and sharing their own PDF files, making it a collaborative platform for book enthusiasts. For those interested in academic resources, there are websites dedicated to providing free PDFs of research papers and scientific articles. One such website is Academia.edu, which allows researchers and scholars to share their work with a global audience. Users can download PDF files of research papers, theses, and dissertations covering a wide range of subjects. Academia.edu also provides a platform for discussions and networking within the academic community. When it comes to downloading Engine Testing Dynamometer free PDF files of magazines, brochures, and catalogs, Issuu is a popular choice. This digital publishing platform hosts a vast collection of publications from around the world. Users can search for specific titles or explore various categories and genres. Issuu offers a seamless reading experience with its user-friendly interface and allows users to download PDF files for offline reading. Apart from dedicated platforms, search engines also play a crucial role in finding free PDF files. Google, for instance, has an advanced search feature that allows users to filter results by file type. By specifying the file type as "PDF," users can find websites that offer free PDF downloads on a specific topic. While downloading Engine Testing Dynamometer free PDF files is convenient, its important to note that copyright laws must be respected. Always ensure that the PDF files you download are legally available for free. Many authors and publishers voluntarily provide free PDF versions of their work, but its essential to be cautious and verify the authenticity of the source before downloading Engine Testing Dynamometer. In conclusion, the internet offers numerous platforms and websites that allow users to download free PDF files legally. Whether its classic

literature, research papers, or magazines, there is something for everyone. The platforms mentioned in this article, such as Project Gutenberg, Open Library, Academia.edu, and Issuu, provide access to a vast collection of PDF files. However, users should always be cautious and verify the legality of the source before downloading Engine Testing Dynamometer any PDF files. With these platforms, the world of PDF downloads is just a click away.

FAQs About Engine Testing Dynamometer Books

How do I know which eBook platform is the best for me? Finding the best eBook platform depends on your reading preferences and device compatibility. Research different platforms, read user reviews, and explore their features before making a choice. Are free eBooks of good quality? Yes, many reputable platforms offer high-quality free eBooks, including classics and public domain works. However, make sure to verify the source to ensure the eBook credibility. Can I read eBooks without an eReader? Absolutely! Most eBook platforms offer webbased readers or mobile apps that allow you to read eBooks on your computer, tablet, or smartphone. How do I avoid digital eye strain while reading eBooks? To prevent digital eye strain, take regular breaks, adjust the font size and background color, and ensure proper lighting while reading eBooks. What the advantage of interactive eBooks? Interactive eBooks incorporate multimedia elements, quizzes, and activities, enhancing the reader engagement and providing a more immersive learning experience. Engine Testing Dynamometer is one of the best book in our library for free trial. We provide copy of Engine Testing Dynamometer in digital format, so the resources that you find are reliable. There are also many Ebooks of related with Engine Testing Dynamometer. Where to download Engine Testing Dynamometer online for free? Are you looking for Engine Testing Dynamometer PDF? This is definitely going to save you time and cash in something you should think about. If you trying to find then search around for online. Without a doubt there are numerous these available and many of them have the freedom. However without doubt you receive whatever you purchase. An alternate way to get ideas is always to check another Engine Testing Dynamometer. This method for see exactly what may be included and adopt these ideas to your book. This site will almost certainly help you save time and effort, money and stress. If you are looking for free books then you really should consider finding to assist you try this. Several of Engine Testing Dynamometer are for sale to free while some are payable. If you arent sure if the books you would like to download works with for usage along with your computer, it is possible to download free trials. The free guides make it easy for someone to free access online library for download books to your device. You can get free download on free trial for lots of books categories. Our library is the biggest of these that have literally hundreds of thousands of different products categories represented. You will also see that there are specific sites catered to different product types or categories, brands or niches related with Engine Testing Dynamometer. So depending on what exactly you are searching, you

will be able to choose e books to suit your own need. Need to access completely for Campbell Biology Seventh Edition book? Access Ebook without any digging. And by having access to our ebook online or by storing it on your computer, you have convenient answers with Engine Testing Dynamometer To get started finding Engine Testing Dynamometer, you are right to find our website which has a comprehensive collection of books online. Our library is the biggest of these that have literally hundreds of thousands of different products represented. You will also see that there are specific sites catered to different categories or niches related with Engine Testing Dynamometer So depending on what exactly you are searching, you will be able to choose ebook to suit your own need. Thank you for reading Engine Testing Dynamometer. Maybe you have knowledge that, people have search numerous times for their favorite readings like this Engine Testing Dynamometer, but end up in harmful downloads. Rather than reading a good book with a cup of coffee in the afternoon, instead they juggled with some harmful bugs inside their laptop. Engine Testing Dynamometer is available in our book collection an online access to it is set as public so you can download it instantly. Our digital library spans in multiple locations, allowing you to get the most less latency time to download any of our books like this one. Merely said, Engine Testing Dynamometer is universally compatible with any devices to read.

Find Engine Testing Dynamometer :

[the invisible man character sketch of all characters](#)

[the heirs descargar the heirs sub espa ol](#)

the joyful child montessori global wisdom for birth to three susan mayclin stephenson

the end of science facing limits knowledge in twilight scientific age john horgan

[the digital transformation playbook rethink your business for the digital age columbia business school publishing](#)

the exorcist book pdf

[the mime order bone season 2 samantha shannon](#)

[the civil engineering handbook second edition](#)

[the giver chapter 1 questions](#)

[the essential guide to lesson planning](#)

the modern bodyguard the manual of close protection training

[the fianchetto solution a complete solid and flexible chess opening repertoire for black white with the kings fianchetto](#)

[the founding dan abnett](#)

[the company of women khushwant singh](#)

[the monocle guide to better living](#)

Engine Testing Dynamometer :

im zoo wieso weshalb warum stickerheft buch ebay - Aug 05 2022

web entdecke im zoo wieso weshalb warum stickerheft buch zustand akzeptabel in großer auswahl vergleichen angebote und preise online kaufen bei ebay kostenlose lieferung für viele artikel

wieso weshalb warum stickerheft im zoo buchhandlung - May 02 2022

web wieso weshalb warum stickerheft im zoo jetzt online kaufen bei atalanda im geschäft in buchhandlung meyer vorrätig online bestellen versandkostenfrei ab 50 00

ravensburger wieso weshalb warum stickerheft tiere der - Nov 27 2021

web mit über 300 stickern erforschen kinder das gebirge den dschungel und das meer wo wohnen pinguine welche tiere überleben in der wüste wer schützt sich mit gift vor feinden

wieso weshalb warum stickerheft heimische tiere - Jan 10 2023

web wieso weshalb warum stickerheft heimische tiere simon ute isbn 9783473329830 kostenloser versand für alle bücher mit versand und verkauf duch amazon zum wieso weshalb warum stickerheft im zoo mit über 300 stickern yousun koh 4 7 von 5 stern

ravensburger wieso weshalb warum stickerheft im zoo - Oct 19 2023

web sie helfen tierpflegern bei den fütterungen ordnen tiere ihren gehegen zu und gestalten diese artgerecht mit vielen spannenden infos zu exotischen tieren und der arbeit im zoo wieso weshalb warum stickerheft für kinder von 4 7 jahren mit stickern spielerisch wissen vermitteln die wieso weshalb warum

wieso weshalb warum stickerheft im zoo buch jpc - Nov 08 2022

web mit über 300 stickern entdecken kinder einen modernen zoo sie helfen tierpflegern bei den fütterungen ordnen tiere ihren gehegen zu und gestalten diese artgerecht mit vielen spannenden infos zu exotischen tieren und der arbeit im zoo

wieso weshalb warum stickerheft im zoo thalia at - Jun 15 2023

web Über 5 000 000 bücher versandkostenfrei bei thalia wieso weshalb warum stickerheft im zoo von felix janosa und weitere bücher einfach online bestellen

wieso weshalb warum stickerheft im zoo mit über 300 - Sep 18 2023

web wieso weshalb warum stickerheft im zoo mit über 300 stickern koh yousun isbn 9783473329434 kostenloser versand für alle bücher mit versand und verkauf duch amazon

wieso weshalb warum stickerheft im zoo google books - Feb 11 2023

web wieso weshalb warum stickerheft im zoo wieso weshalb warum stickerheft illustrated by yousun koh publisher

ravensburger verlag 2018 isbn 3473329436 9783473329434 length 24 pages export citation bibtex endnote refman

ravensburger wieso weshalb warum stickerheft weihnachten - Dec 29 2021

web dazu gibt es spannendes sachwissen zur weihnachtsgeschichte zu backen basteln und singen im advent und über weihnachtsbräuche aus aller welt wieso weshalb warum stickerheft für kinder von 4 7 jahren mit stickern spielerisch wissen vermitteln die wieso weshalb warum stickerhefte machen es möglich

wieso weshalb warum stickerheft im zoo bücher de - Dec 09 2022

web welche tiere leben im tropenhaus womit spielen elefanten was passiert wenn ein zootier krank wird mit über 300 stickern entdecken kinder einen modernen zoo

wieso weshalb warum stickerheft im zoo faltershop at - Sep 06 2022

web wieso weshalb warum stickerheft im zoo Über 1 5 mio bücher im faltershop bestellen versandkostenfrei ab 35

wieso weshalb warum stickerheft im zoo hl großhandel - Jan 30 2022

web wieso weshalb warum stickerheft im zoo kaufen händler bei hl handelsgesellschaft mbh aus schifferstadt der großhandel für puzzle brettspiele malen nach

wieso weshalb warum stickerheft im zoo mit über 300 - Jul 16 2023

web wieso weshalb warum stickerheft im zoo mit über 300 stickern koh yousun amazon de books

wieso weshalb warum stickerheft im zoo osiander - Oct 07 2022

web wieso weshalb warum stickerheft im zoo von felix janosa osiander startseite vor ort mein konto merkzettel warenkorb suche formular zurücksetzen suchanfrage abschicken overlay schliessen suche formular zurücksetzen suchanfrage abschicken osiander startseite bücher

wieso weshalb warum aktiv heft im zoo mit stickern und - May 14 2023

web mit buntstiften und stickern ausgerüstet erfahren kinder in diesem heft alles über den zoo helfen dem tierpfleger bei einem kniffligen rätsel und basteln ihre eigenen zootiere weshalb warum aktiv heft malen rätseln und basteln für kinder von 4 7 jahren mit den wieso weshalb

wieso weshalb warum stickerheft im zoo thalia - Aug 17 2023

web stickerheft wieso weshalb warum stickerheft im zoo mit über 300 stickern felix janosa bürobedarf 7 99 inkl gesetzl mwst zzgl versandkosten 1 artikel liefern lassen sofort lieferbar geringer bestand in den warenkorb click collect verfügbarkeit in ihrer buchhandlung prüfen sie haben noch keine buchhandlung ausgewählt

wieso weshalb warum stickerheft im zoo von ex libris - Mar 12 2023

web was passiert wenn ein zootier krank wird mit über 300 stickern entdecken kinder einen modernen zoo sie helfen tierpflegern bei den fütterungen ordnen tiere ihren gehegen zu und gestalten diese artgerecht mit vielen spannenden infos

zu exotischen tieren und der arbeit im zoo wieso weshalb warum stickerheft für kinder von 47 jahren

wieso weshalb warum stickerheft im zoo kartoniert ebay - Jun 03 2022

web entdecke wieso weshalb warum stickerheft im zoo kartoniert 9783473329434 in großer auswahl vergleichen angebote und preise online kaufen bei ebay kostenlose lieferung für viele artikel

wieso weshalb warum stickerheft im zoo - Apr 01 2022

web wieso weshalb warum stickerheft im zoo illustrator koh yousun verlag ravensburger verlag reihe wieso weshalb warum stickerheft hardcover isbn 978 3 473 32943 4 erschienen am 20 06 2018 sprache deutsch format 29 7 cm x 23 4 cm x 0 6 cm gewicht 259 gramm umfang 24 seiten mit über 300 stickern ab 4 jahre

wieso weshalb warum stickerheft im zoo ab 3 - Feb 28 2022

web wartezeiten verregnete nachmittage oder lange auto und zugfahrten vergehen beim stickern wie im flug kinder von 4 7 jahren können sich mit dem wieso weshalb warum stickerheft wunderbar selbst beschäftigen kreativ werden und wissenswertes rund um den zoo entdecken taschenbuch 20 06 2018

wieso weshalb warum stickerheft im zoo orell füssli - Apr 13 2023

web sie helfen tierpflegern bei den fütterungen ordnen tiere ihren gehegen zu und gestalten diese artgerecht mit vielen spannenden infos zu exotischen tieren und der arbeit im zoo wieso weshalb warum stickerheft für kinder von 4 7 jahren mit stickern spielerisch wissen vermitteln die wieso weshalb warum stickerhefte machen es möglich

ravensburger wieso weshalb warum aktiv heft im zoo - Jul 04 2022

web mit buntstiften und stickern ausgerüstet erfahren kinder in diesem heft alles über den zoo helfen dem tierpfleger bei einem kniffligen rätsel und basteln ihre eigenen zootiere wieso weshalb warum aktiv heft malen rätseln und basteln für kinder von 4 7 jahren mit den wieso weshalb

pdf organizational behavior robbins judge free - Mar 22 2022

web find all the study resources for organizational behavior by stephen p robbins tim judge we have 143 summaries and 9 courses related to this book on our website

organizational behavior 16th by robbins stephen p - May 24 2022

web the good of the organization via their profound and extraordinary effect on followers builds on a man s need for meaning is preoccupied with purposes and values morals

robbins judge 2009 organizational behaviour myeslsca - Apr 22 2022

web download organizational behavior robbins judge free in pdf format account 157 55 39 51 login register search search partner sites youtube to mp3 converter

organizational behavior stephen p robbins tim judge studocu - Feb 18 2022

web jan 4 2018 organizational behavior what s new in management part of what s new in management 6 books by stephen robbins and timothy judge jan 4 2018 4 5

organizational behavior pearson - Sep 08 2023

web may 12 2022 organizational behavior home business economics management organizational behavior organizational behavior i m a student i m an educator

organizational behavior stephen p robbins timothy judge - Oct 09 2023

web organizational behavior stephen p robbins timothy judge tim judge pearson 2019 organization 736 pages for undergraduate and graduate courses in organizational behavior help

organizational behavior stephen p robbins tim judge - Apr 03 2023

web organizational behavior stephen p robbins tim judge prentice hall 2011 organizational behavior 686 pages robbins judge provides the research you want

summary of organizational behavior robbins judge - Oct 29 2022

web a field of study that investigates the impact that individuals groups and structures have on behavior within organisations for the purpose of applying such knowledge toward

amazon com robbins and judge organizational behavior - Jan 20 2022

web robbins stephen p 1943 publication date 2004 topics organizational behavior comportement organisationnel publisher frenchs forest nsw pearson prentice hall

organizational behavior 18th edition semantic scholar - Jun 05 2023

web dec 5 2018 the 18th edition reflects the most recent research and business events within the field of organizational behavior while maintaining its hallmark features a clear

organizational behavior robbins stephen judge timothy - Aug 27 2022

web judge is a co author of essentials of organizational behavior with stephen p robbins and staffing organizations with john kammeyer mueller judge s primary nonwork passion revolves around rock climbing and mountaineering

organizational behavior robbins stephen p judge timothy a - Jun 24 2022

web jan 16 2014 this offers an insightful outlook into social behaviors individual behaviors and how the organization itself plays into these factors this book enticed me into

organizational behavior updated global edition google books - Aug 07 2023

web jun 7 2021 organizational behavior 18th edition by robbins and judge is the latest thoroughly revised global edition of this industry leading text guiding you through the

organizational behavior pearson - Jul 06 2023

web jan 3 2018 timothy a judge university of notre dame best value etextbook mo print from 170 66 mylab from 99 99
pearson subscription mo month term pay monthly

[pdf a book review on organizational behavior of](#) - Sep 27 2022

web pdf on aug 20 2022 robin surtadhar and others published a book review on organizational behavior of stepans robbins
and timothy a judge find read and cite

organizational behavior stephen p robbins timothy a judge - Feb 01 2023

web mar 9 2016 organizational behavior stephen p robbins timothy a judge pearson mar 9 2016 organizational behavior 744
pages for undergraduate and graduate

organizational behavior 12th edition amazon com - Dec 19 2021

[organizational behavior 18th edition etextbook subscription](#) - Dec 31 2022

web sep 18 2020 organizational behavior helps you understand and apply organizational behavior concepts this is done by
examining the most recent research and business events within the field the textbook provides you with key research and
explains concepts in understandable language

[organizational behavior stephen p robbins tim judge](#) - Mar 02 2023

web organizational behavior stephen p robbins tim judge pearson prentice hall 2007 business economics 759 pages with its
conversational writing style cutting edge

organisational behaviour robbins stephen p 1943 - Nov 17 2021

organizational behavior stephen p robbins timothy a judge - Nov 29 2022

web organizational behavior stephen p robbins timothy a judge tim judge pearson 2019 management 770 pages managerial
economics and strategy uses real world

[organizational behavior stephen p robbins timothy a judge](#) - May 04 2023

web organizational behavior stephen p robbins timothy a judge pearson 2017 electronic books 744 pages for undergraduate
and graduate courses in

[organizational behavior robbins judge](#) - Jul 26 2022

web jan 1 2008 there is a newer edition of this item organizational behavior rental edition 149 95 1 only 1 left in stock order
soon robbins judge provide the research you want in the language your students understand accompanied with the best
selling self assessment software sal

alexandre le grand de la gra ce a l inde old cosmc - Jan 08 2023

web alexandre le grand de la gra ce a l inde alexandre le grand d après les auteurs orientaux french prose from calvin to anatole france aral flemish manuscript painting in context etudes sur l art de la gravure sur bois À venise ptie les origines et le dévelopmane de la xylographie à venise revision des principaux ouvrages illustrés

[alexandre le grand à la découverte du fondateur du plus grand](#) - Mar 10 2023

web jun 20 2021 getty images il avait de telles capacités dès l enfance que les témoins de l époque pensaient qu on se souviendrait de lui comme d une personne extraordinaire dans l histoire À

[alexandre le grand wikipédia](#) - Apr 11 2023

web les travaux de l historien grec miltiade hatzopoulos dont macedonian institutions under the kings a historical and epigraphic study 1996 ont étendu la vision de l histoire d alexandre à travers une étude de l État macédonien des argéades aux antigonides

alexandre le grand de la gra ce a l inde download only - Apr 30 2022

web 4 alexandre le grand de la gra ce a l inde 2021 08 13 babylone pierre brian restitue la geste de l héritier des achéménides alexandre le grand histoire intime de la russie sous les empereurs alexandre et nicolas editions gallimard the present volume is a collection of articles

[désir et démesure chez alexandre alexandre le grand et l orient de](#) - Jul 02 2022

web la démesure de l alexandre historique transcende les siècles et se retrouve dans le fameux roman d alexandre du moyen Âge au cours du voyage en inde un oiseau reproche au héros sa démesure alexandre cesse donc désormais de te poser en rival des dieux retourne t en vers ta propre demeure et renonce à monter témérement

[alexandre le grand de la grèce à l inde pierre brian](#) - Mar 30 2022

web jan 6 2005 l épopée durera plus de dix ans jusqu à ce jour de juin 323 où le conquérant meurt en pleine gloire dans l une des plus belles villes de l empire babylone pierre brian restitue la geste de l héritier des achéménides alexandre le grand

alexandre le grand de la gra ce a l inde download only - Oct 05 2022

web de la vie et des actions d alexandre le grand de la traduction de vaugelas de la vie et des actions d alexandre le grand de la traduction de de vaugelas avec le latin à coté dernière édition avec les suppléments de jean freinshemius traduits par m du ryer histoire d alexandre alexandre le grand quinte curce de la vie et des

alexandre le grand de la grèce à l inde worldcat org - Jul 14 2023

web printemps 334 avant notre ère alexandre iii roi de macédoine a vingt deux ans avec moins de cinquante mille hommes il débarque sur les côtes de l asie mineure c est le début d une gigantesque expédition qui va emmener les grecs jusqu en afghanistan et en inde à la conquête de l empire du roi des rois le perse darius

alexandre le grand de la gra ce a l inde download only - Jan 28 2022

web recognizing the pretentiousness ways to get this book alexandre le grand de la gra ce a l inde is additionally useful you have remained in right site to begin getting this info acquire the alexandre le grand de la gra ce a l inde connect that we provide here and check out the link you could purchase guide alexandre le grand de la gra ce a l

alexandre le grand de la gra ce a l inde - Aug 03 2022

web notice sur une monnaie inédite à l effigie d alexandre le grand de la ville de chersonèse corpus reformatorum philippe ii et alexandre le grand de la vie et des actions d alexandre le grand grand dictionnaire universel du xixe siecle francais 1 2 supplement 1878 90 select specimens of the great french writers in the 17th 18th

alexandre le grand de la grèce à l inde by pierre brian - Dec 27 2021

web jun 13 2023 this alexandre le grand de la grèce à l inde by pierre brian as one of the predominant working sellers here will entirely be joined by the best selections to review alexandre le gra alexandre le grand reste l un des plus grands conquérants de tous les temps huit ans à peine après juin 323 av j c à babylone ce

alexandre le grand de la grèce à l inde poche decitre - Feb 09 2023

web jan 6 2005 printemps 334 avant notre ère alexandre iii roi de macédoine a vingt deux ans avec moins de cinquante mille hommes il débarque sur les côtes de l asie mineure c est le début d une gigantesque expédition qui va emmener les grecs jusqu en afghanistan et en inde à la conquête de l empire du roi des rois le perse darius

alexandre le grand de la grèce à l inde amazon fr - May 12 2023

web dans le quatrième chapitre l historien passe en revue la mort de darius formidable aubaine politique pour alexandre puis l entrée en bactriane et en sogdiane à la poursuite des meurtriers du grand roi ainsi que la mort de kleitos des campagne indienne d alexandre le grand wikipédia - Aug 15 2023

web la campagne indienne d alexandre le grand s est déroulée du printemps 326 au printemps 325 av j c après avoir conquis l empire achéménide le roi de macédoine lance une campagne dans le sous continent indien pakistan actuel dont une partie forme les territoires les plus orientaux de l empire perse depuis la fin du vi e siècle av j

alexandre le grand de la gra ce a l inde ftp popcake - Dec 07 2022

web alexandre le grand d après les auteurs orientaux notice sur une monnaie inédite à l effigie d alexandre le grand de la ville de chersonèse a catalogue of

alexandre le grand biographie du plus grand conquérant de l - Jun 13 2023

web may 18 2021 biographie alexandre le grand découvrez la vie mythique de celui qui a établi un empire xxl de la grèce à l inde à force de conquêtes après avoir été couronné roi à 20 ans actualités

alexandre le grand de la gra ce a l inde pdf - Sep 04 2022

web alexandre le grand de la gra ce a l inde from cyrus to seleukos de la vie et des actions d alexandre le grand alexandre le grand d après les auteurs orientaux select specimens of the great french writers in the 17th 18th 19th centuries notice sur une monnaie inédite à l effigie d alexandre le grand de la ville de chersonèse

alexandre le grand de la grèce à l inde by pierre briant - Feb 26 2022

web jun 23 2023 alexandre le grand les conqutes d alexandre acadmie de versailles alexandre le grand devant le tombeau dachille nouvelle édition de l ouvrage paru en 1987 sous le titre de la grèce à l orient alexandre le grand qu est ce que la bravoure ment se définit le courage les grecs ont réfléchi à ces vertus

alexandre le grand de la grèce à l inde librairie eyrolles - Jun 01 2022

web printemps 334 avant notre ère alexandre iii roi de macédoine a vingt deux ans avec moins de cinquante mille hommes il débarque sur les côtes de l asie mineure c est le début d une gigantesque expédition qui va emmener les grecs jusqu en afghanistan et en inde à la conquête de l empire du roi des rois le perse darius

[alexandre le grand de la gra ce a l inde pdf vempravia com](#) - Nov 06 2022

web alexandre le grand de la gra ce a l inde 3 3 perdus alexandre iii de macédoine dit le grand 356 323 av j c reste un des plus fascinants héros de tous les temps roi de macédoine à vingt ans qui se lancera deux ans plus tard à la conquête d un empire allant de la grèce jusqu à l inde guerrier certes mais